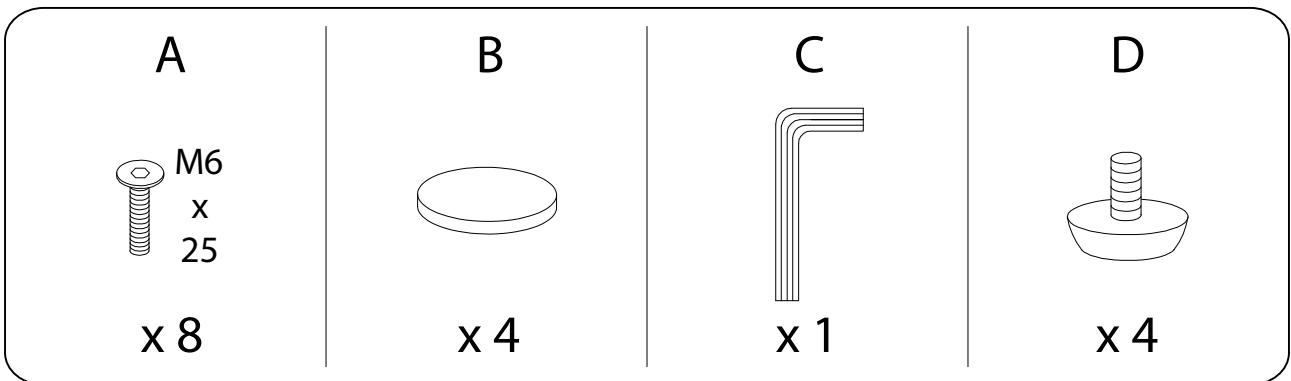
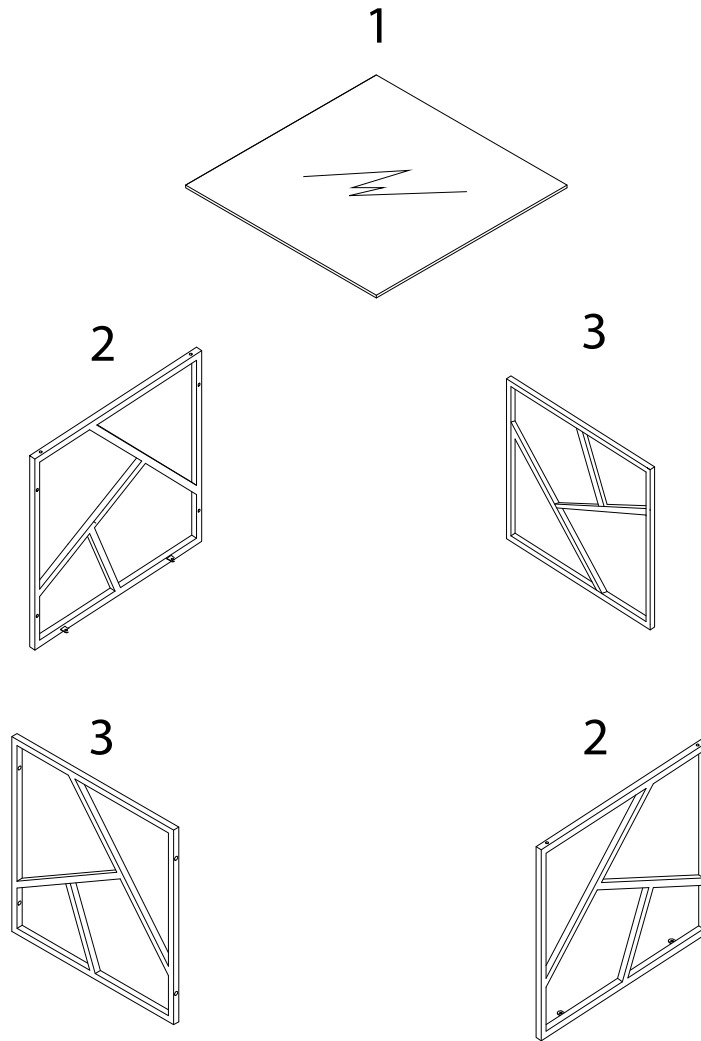
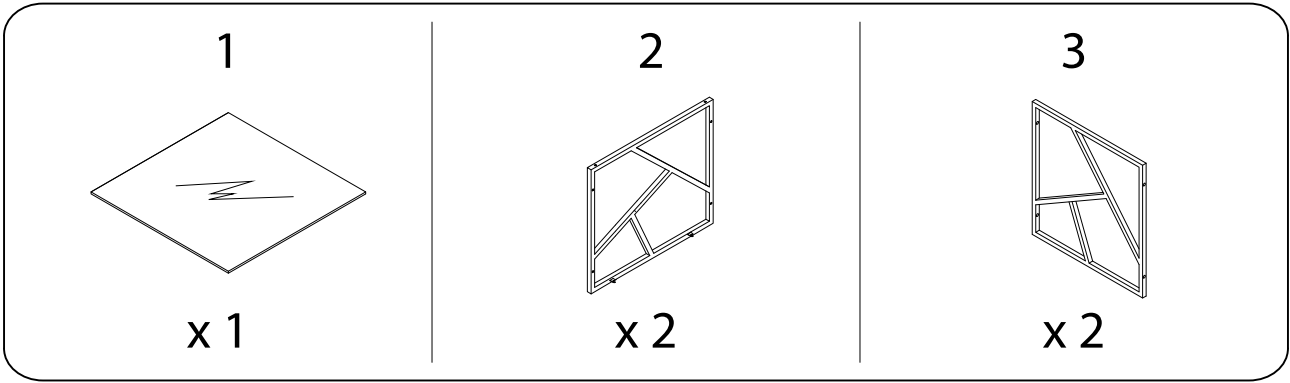


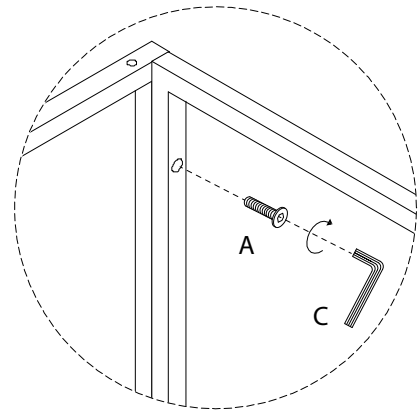
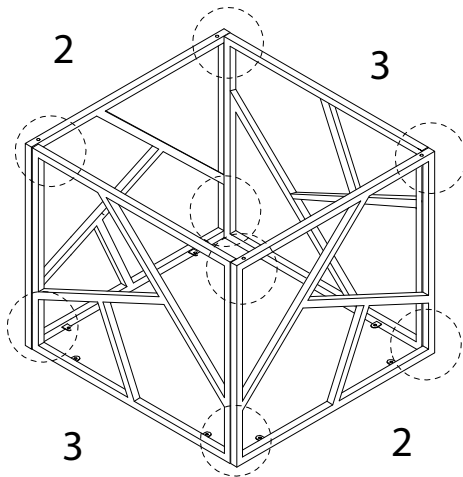
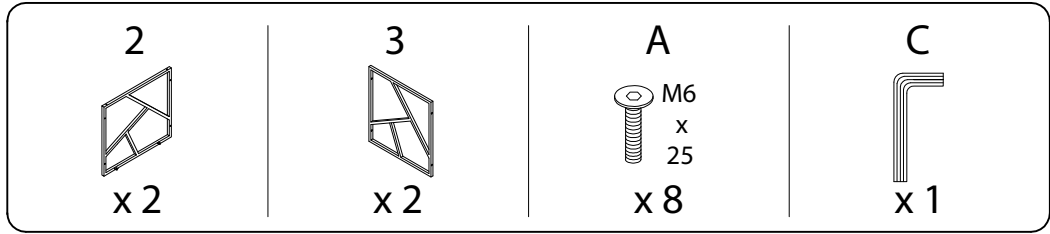
30'

1

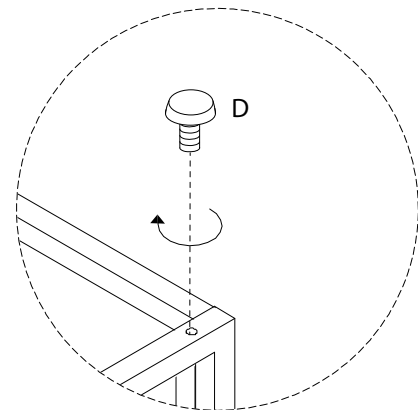
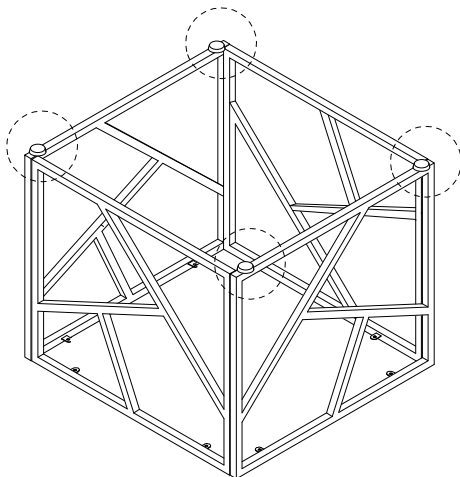
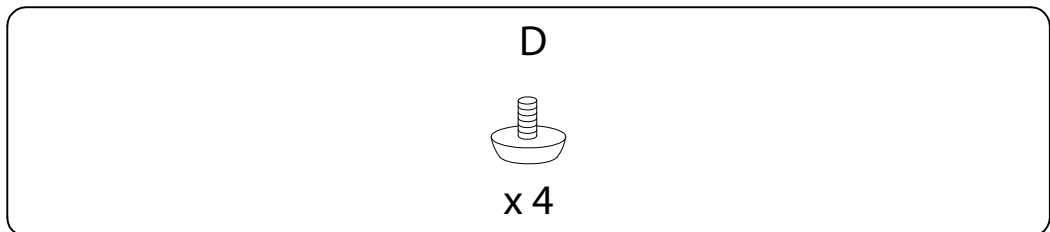
1/4



1



2

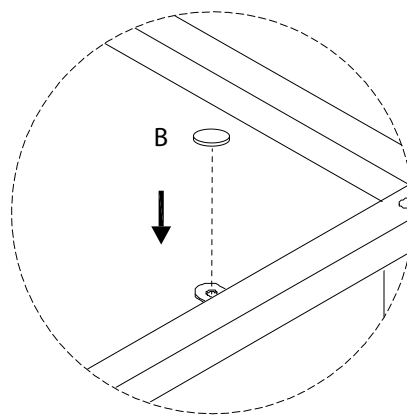
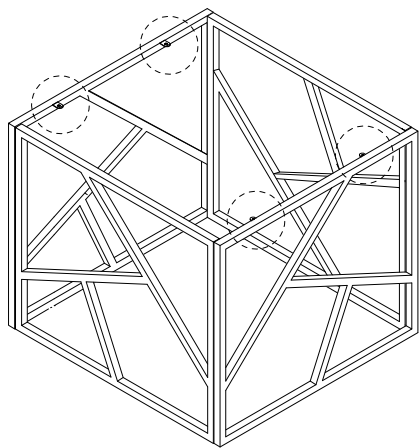


3

B

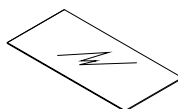


x 4



4

1



x 1

