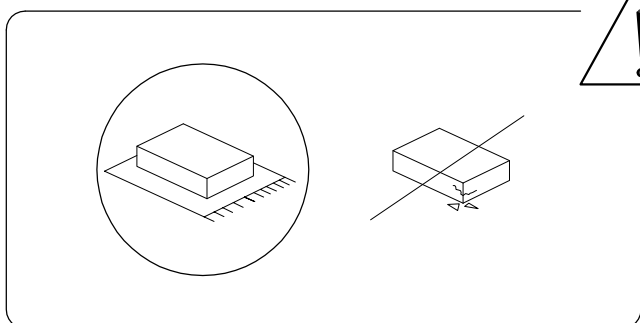

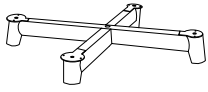

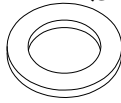
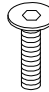


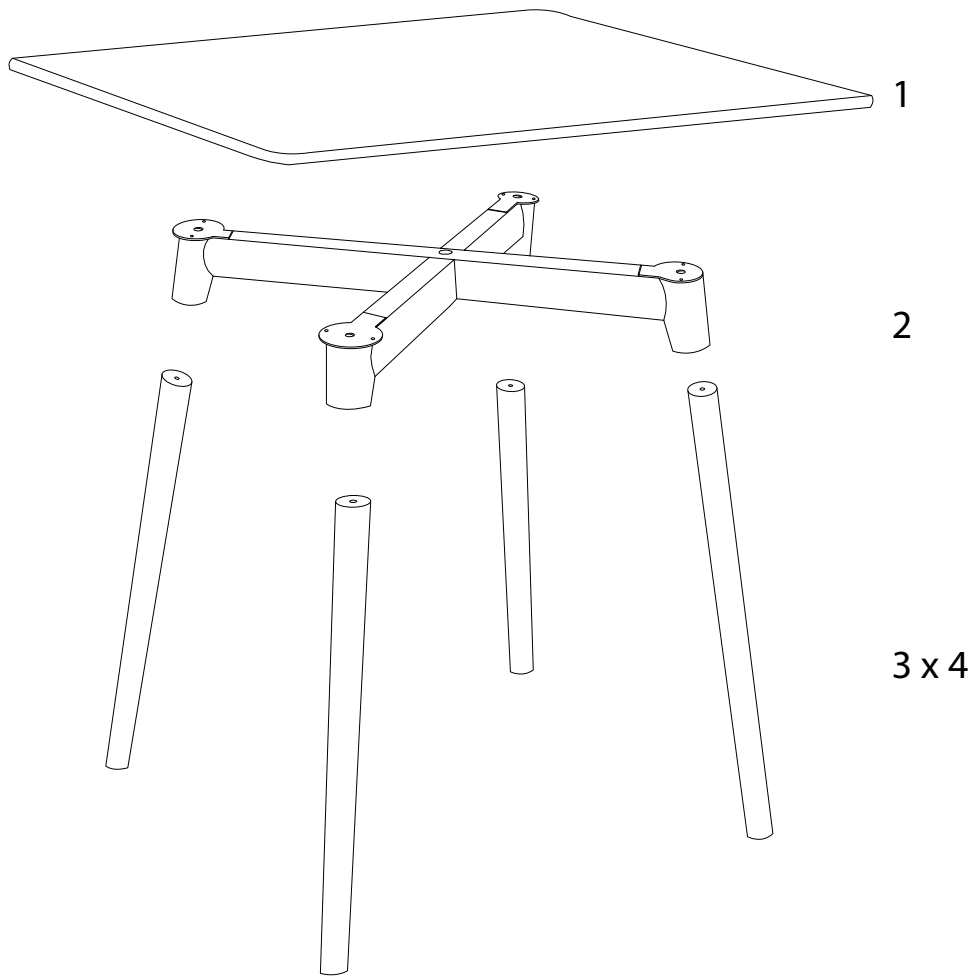
30'

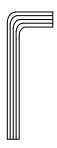
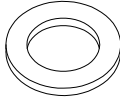
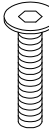

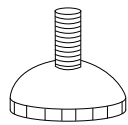
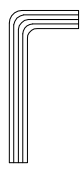


1

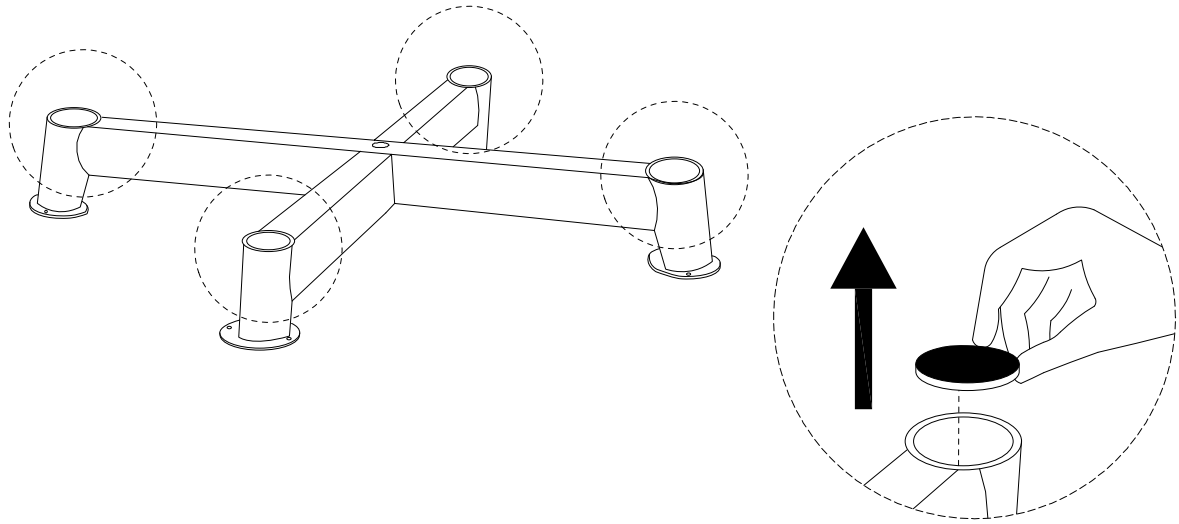
1/4

1	2	3	A	B
				
x 1	x 1	x 4	x 8	x 8

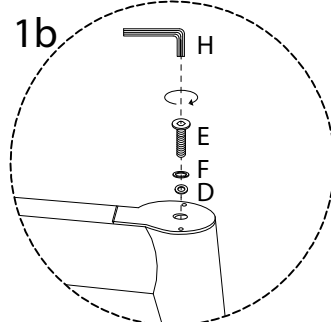
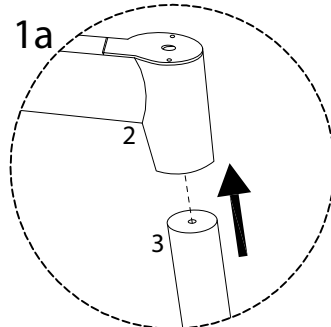
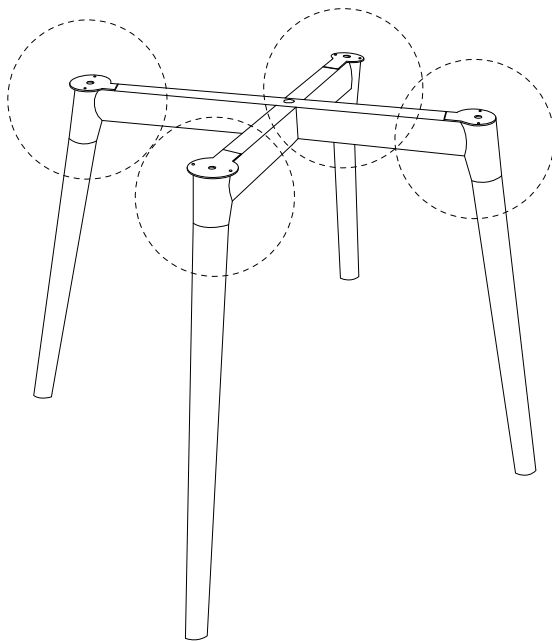
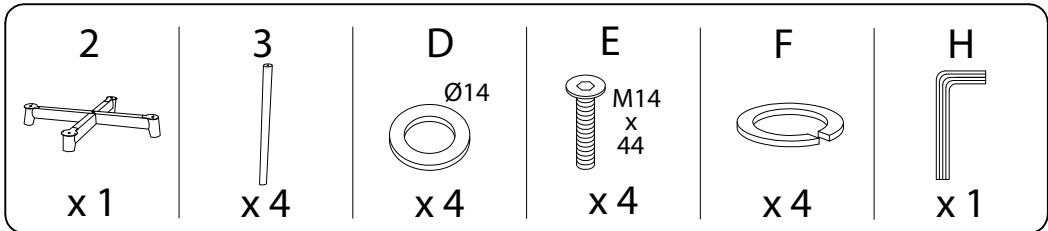


C	D	E	F	G	H
					
x 1	x 4	x 4	x 4	x 4	x 1




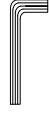
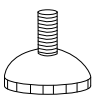
!



1



2

<p>1</p>  <p>x 1</p>	<p>A</p> <p>Ø12</p>  <p>x 8</p>	<p>B</p> <p>M12 x 20</p>  <p>x 8</p>	<p>C</p>  <p>x 1</p>	<p>G</p>  <p>x 4</p>
-------------------------------------------------------------------------------------------------------	------------------------------------------------------------------------------------------------------------------	-------------------------------------------------------------------------------------------------------------------------------	---------------------------------------------------------------------------------------------------------	---------------------------------------------------------------------------------------------------------

