





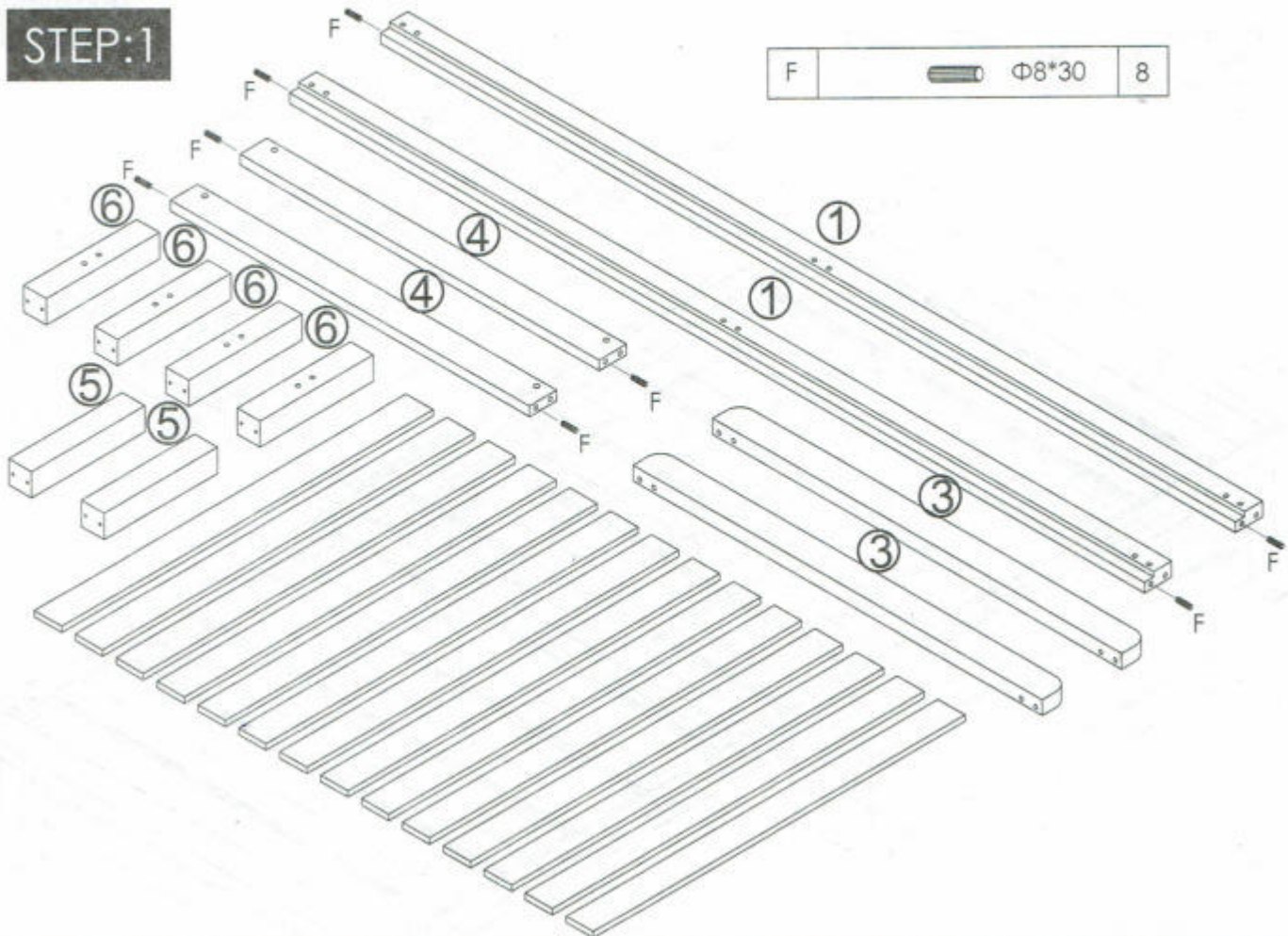
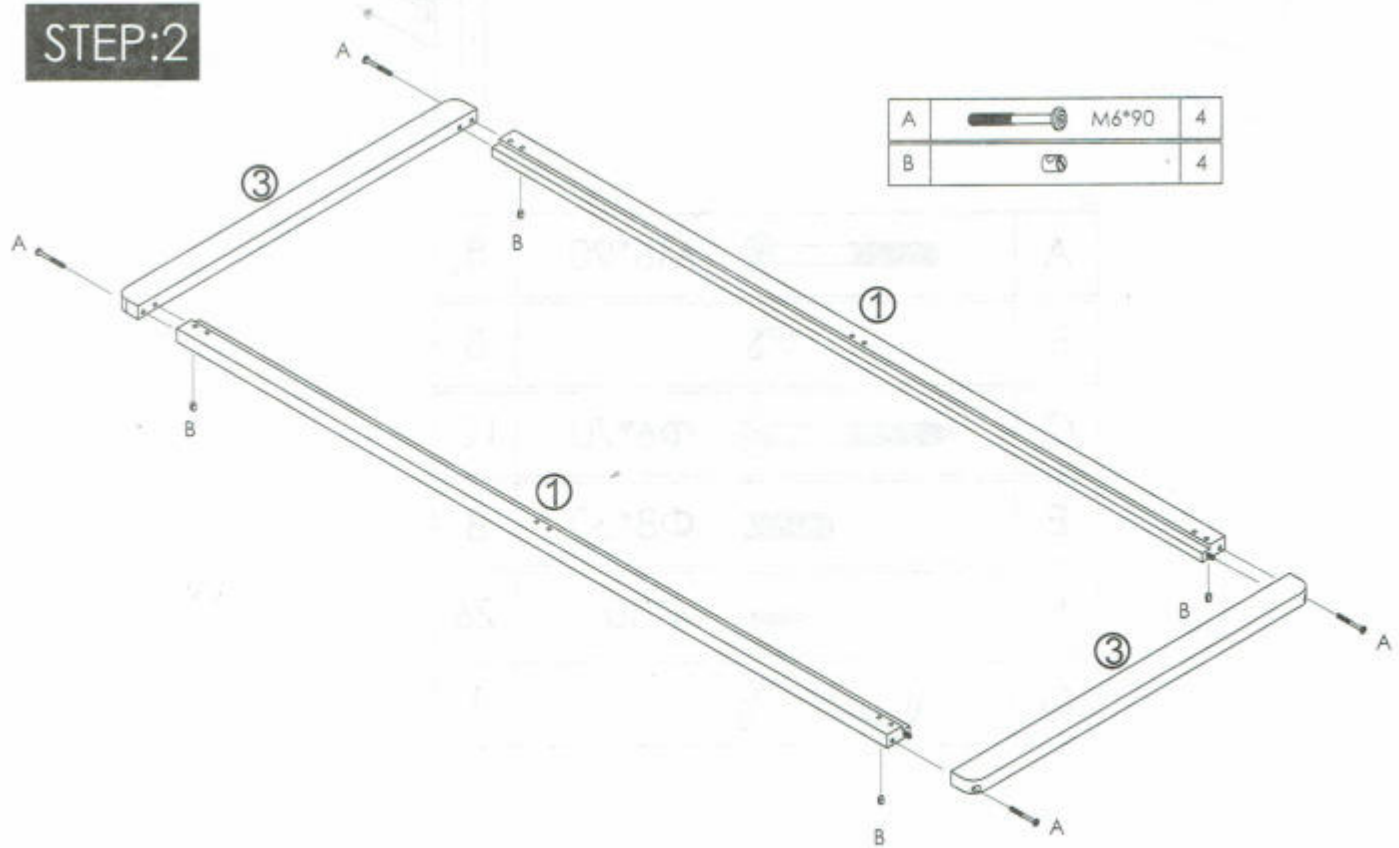


A		M6*90	8
B			8
C		Φ6*70	12
E		Φ8*30	8
F		4*30	26
G			1

STEP:1

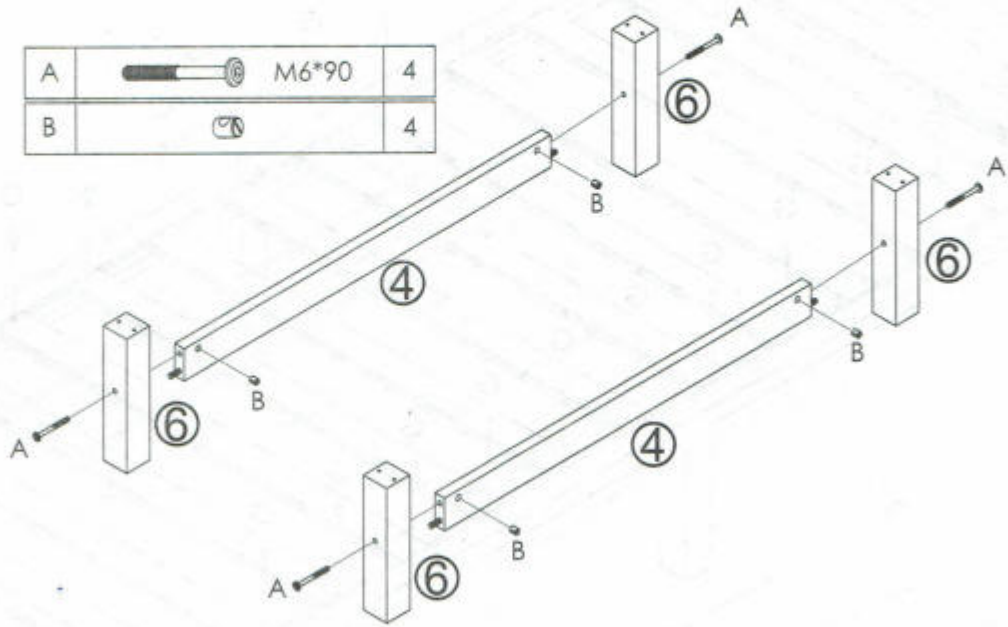


STEP:2



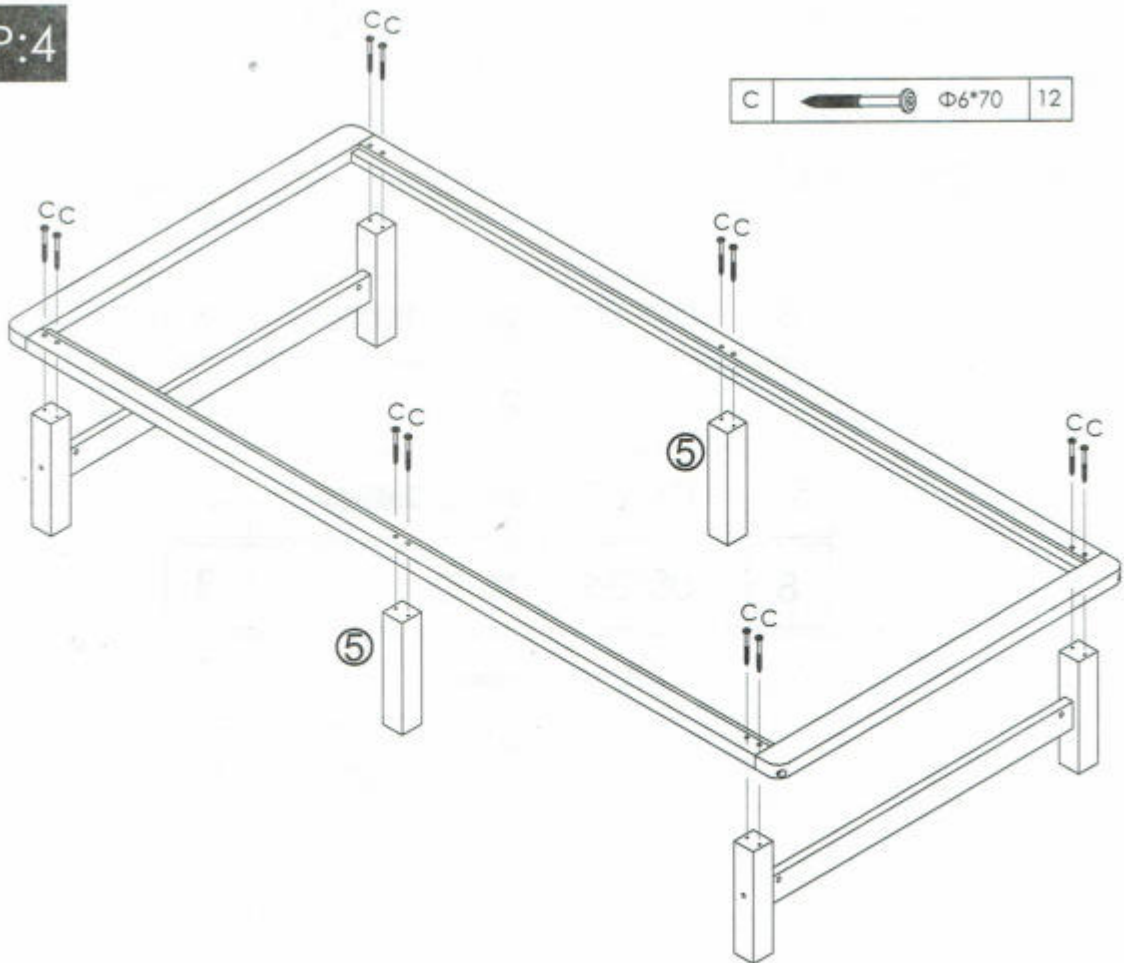
STEP:3

A		M6*90	4
B			4

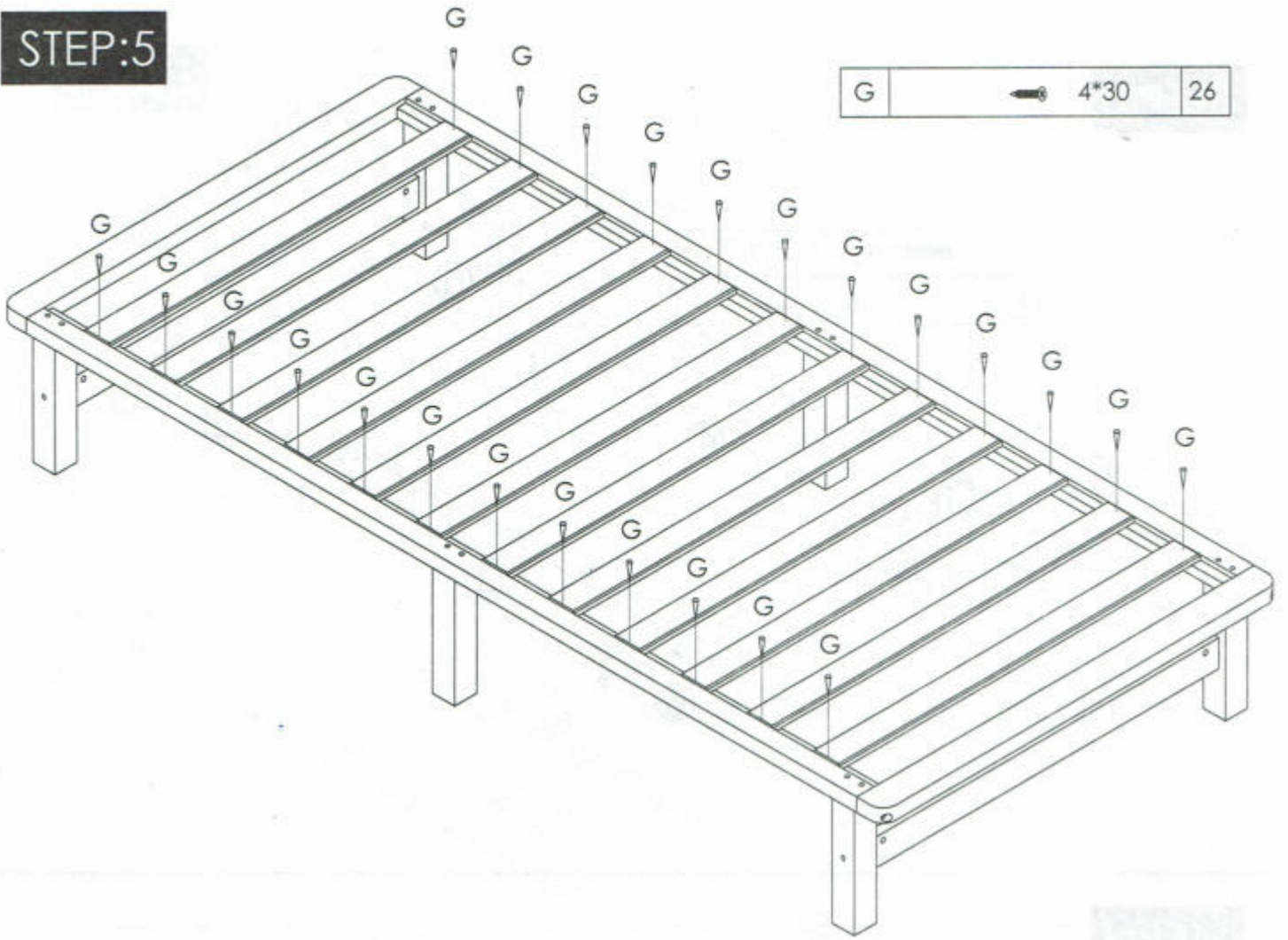


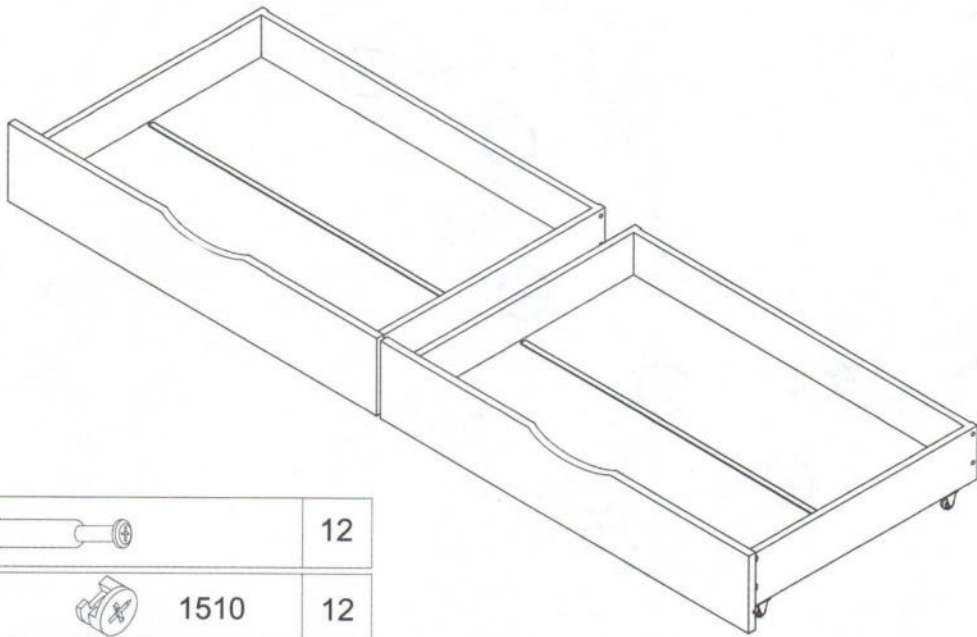
STEP:4









C		Φ6*70	12
---	---	-------	----



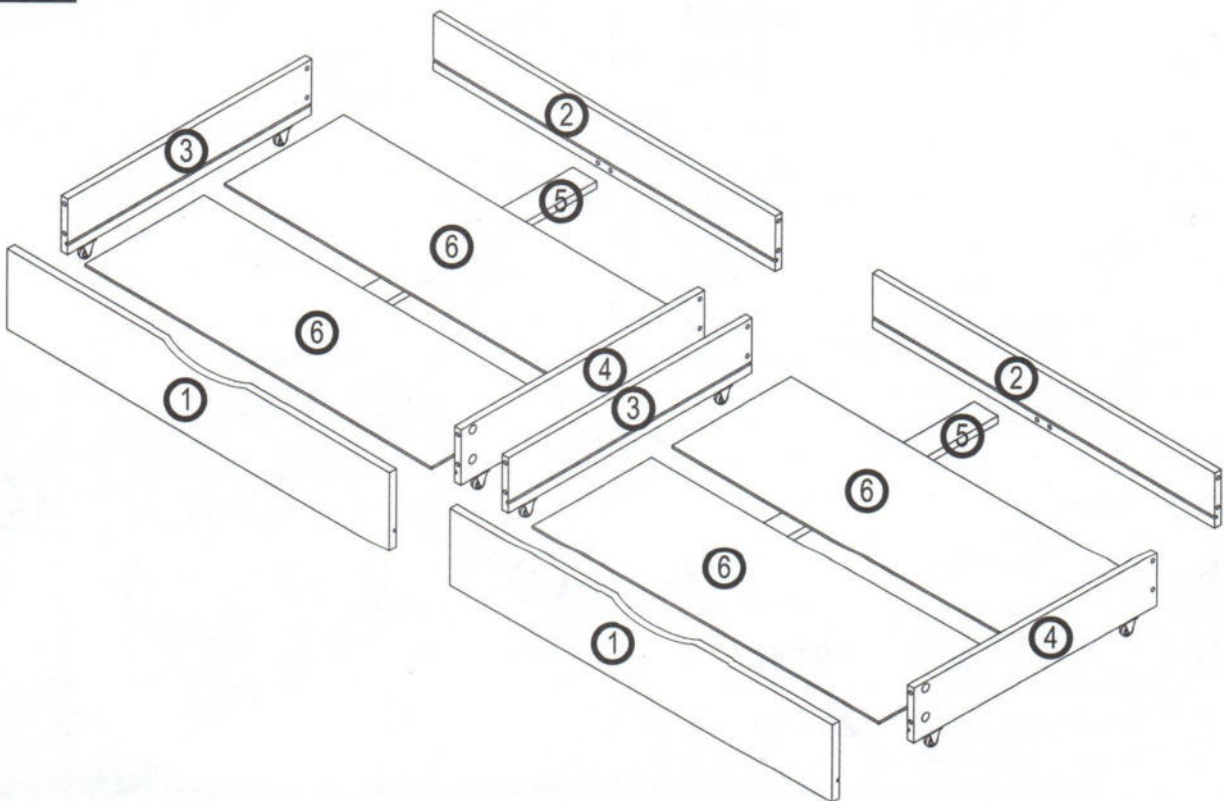
STEP:5



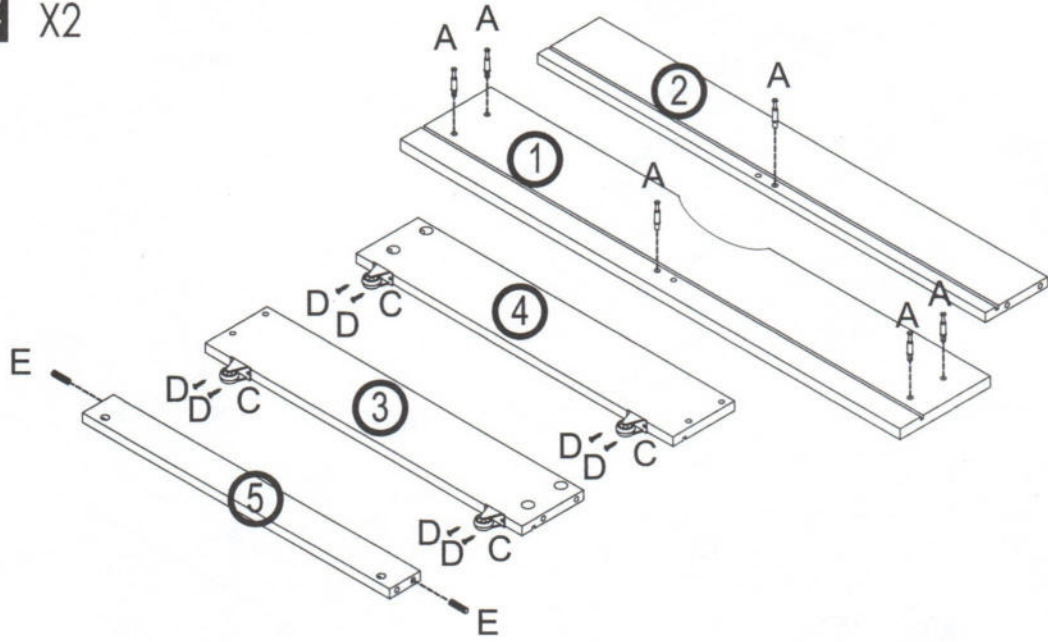


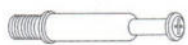



A			12
B		1510	12
C		35 mm	8
D		3 x 16	16
E		Ø8 x 30	4
F		Ø7 x 50	8
N		700mm	2
J		4 mm	1

STEP:1

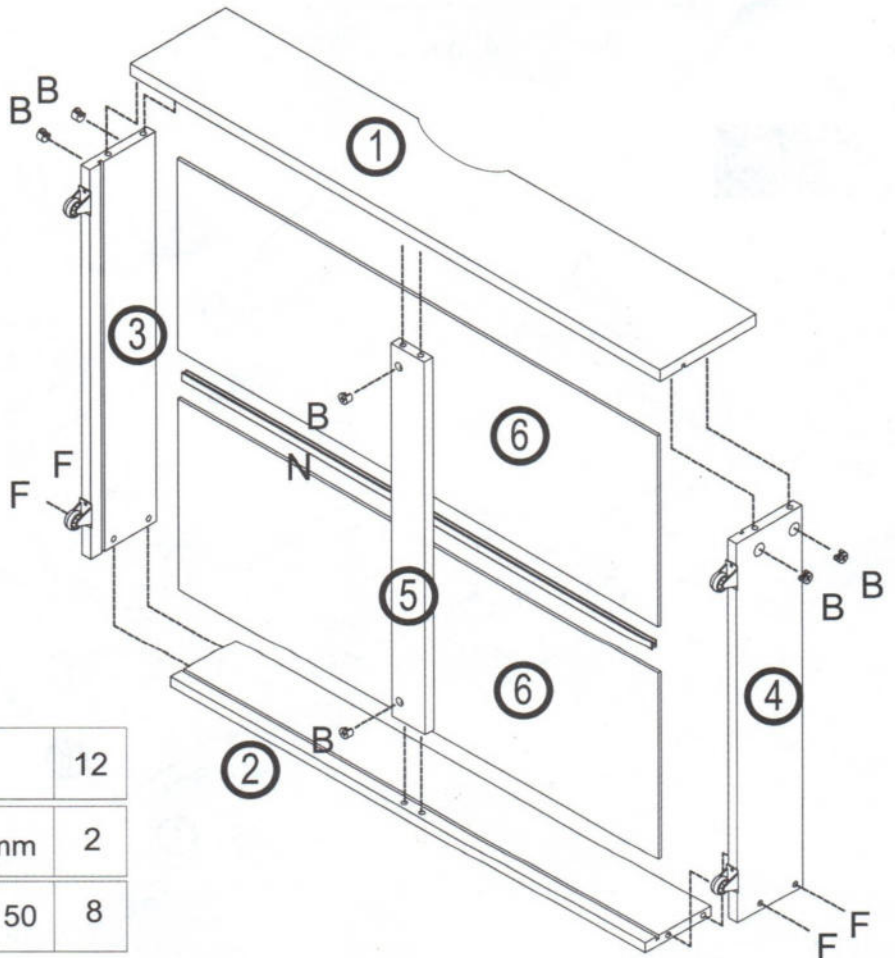



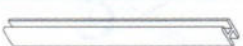

STEP:2 X2



A			12
C		35 mm	8
D		3 x 16	16
E		Ø8 x 30	4

STEP:3 X2



B			12
N		700 mm	2
F		Ø7 x 50	8