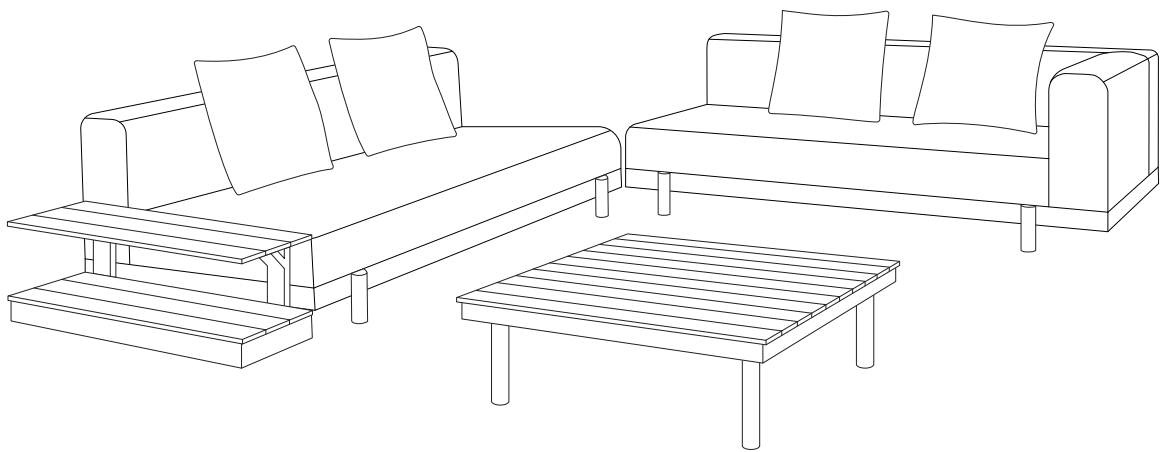
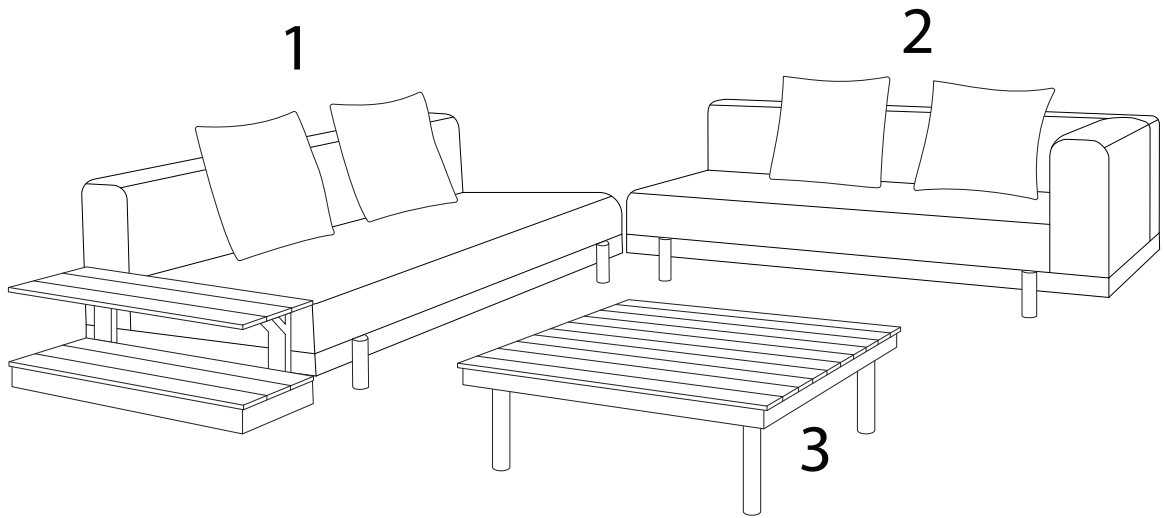


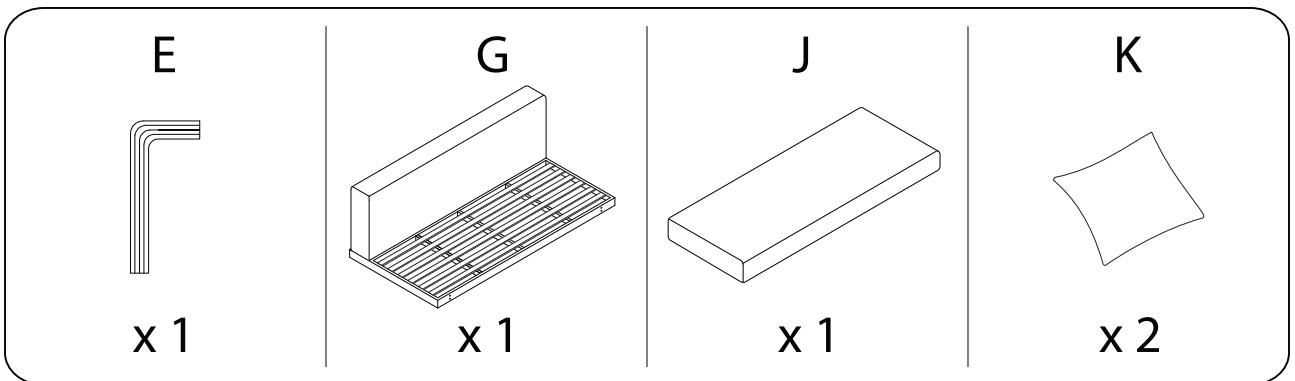
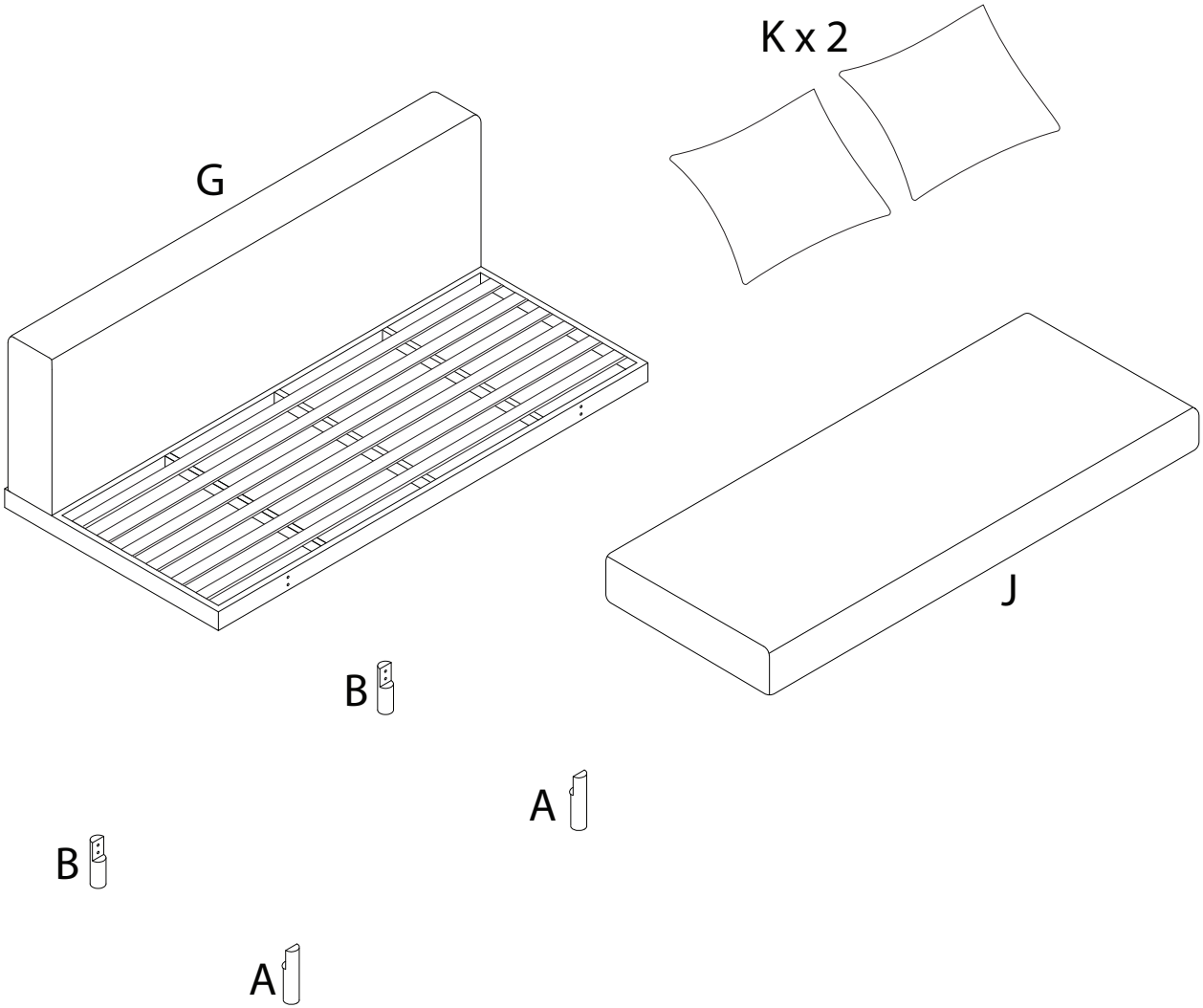
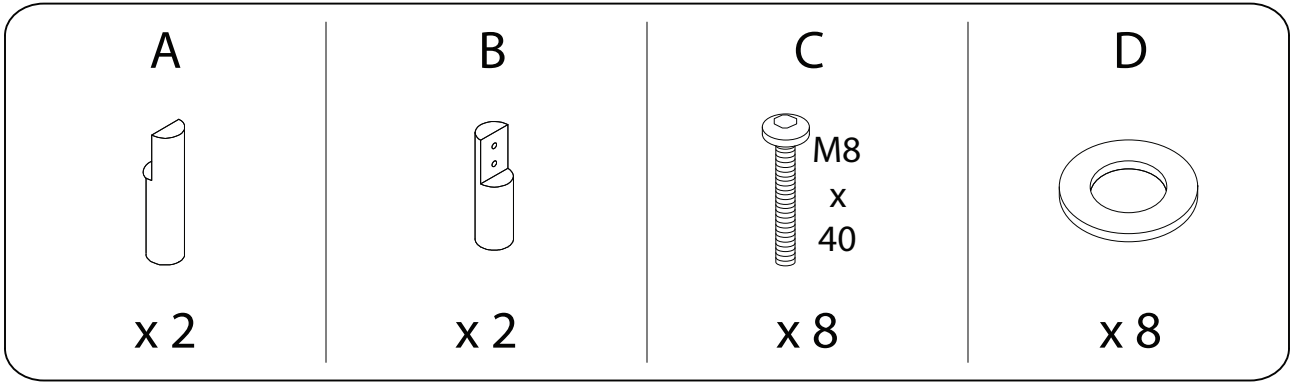
MISSANELLO



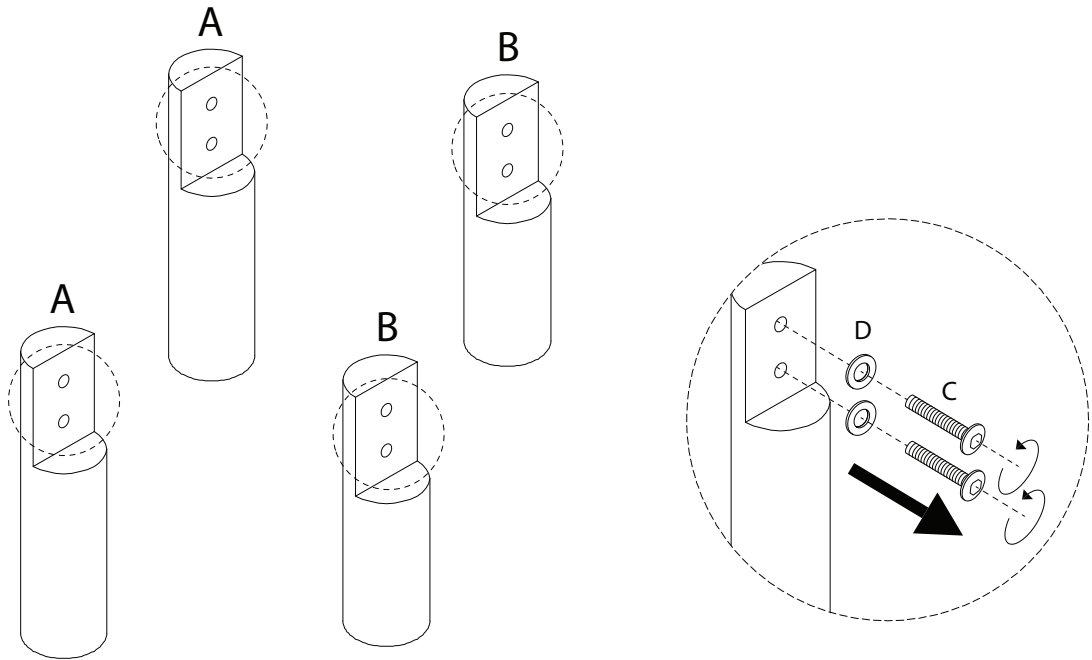


Warning icons and assembly instructions:

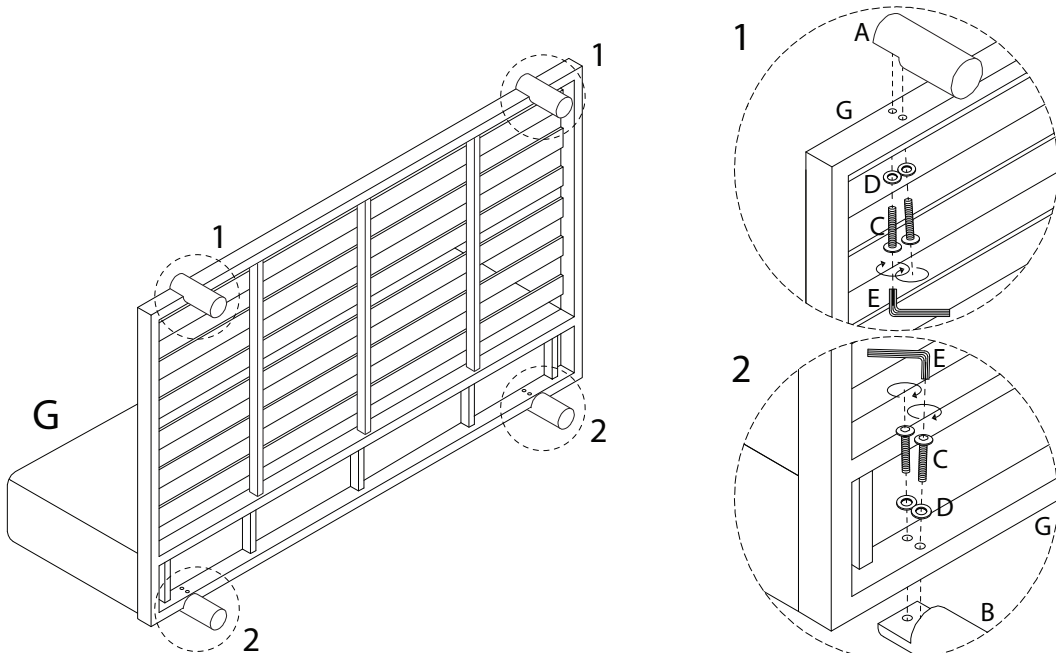
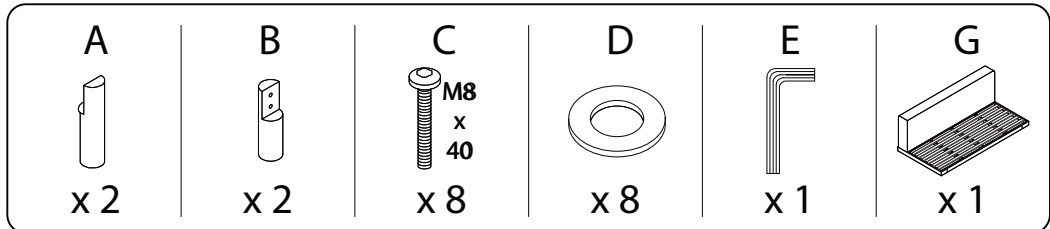
- Top-left: A circular icon showing an L-shaped metal bracket. Next to it is a crossed-out power drill icon, indicating that a power drill should not be used for this step.
- Top-right: A clock icon with the number '20'' below it, indicating a 20-minute assembly time.
- Bottom-left: A circular icon showing a rectangular block being placed on a textured surface. Next to it is a crossed-out icon of the block being placed on a smooth surface, indicating that the textured surface is required for stability.
- Bottom-right: A person icon with the number '1' below it, indicating that one person is required for this step.
- Warning symbols: Two triangles with exclamation marks are positioned between the top and bottom rows of instructions.



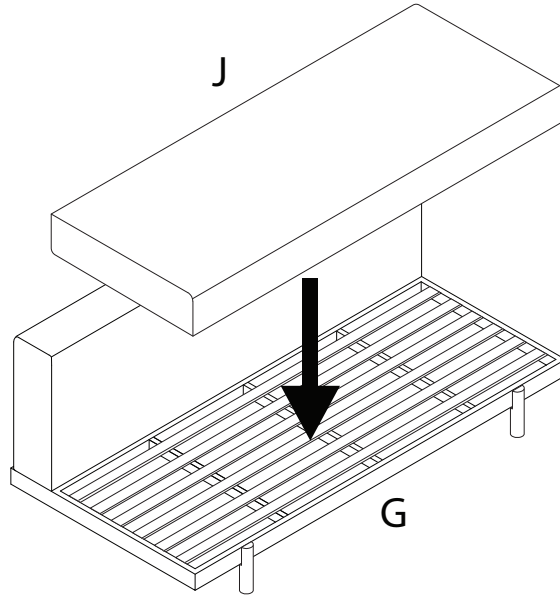
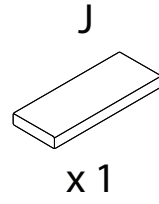
!



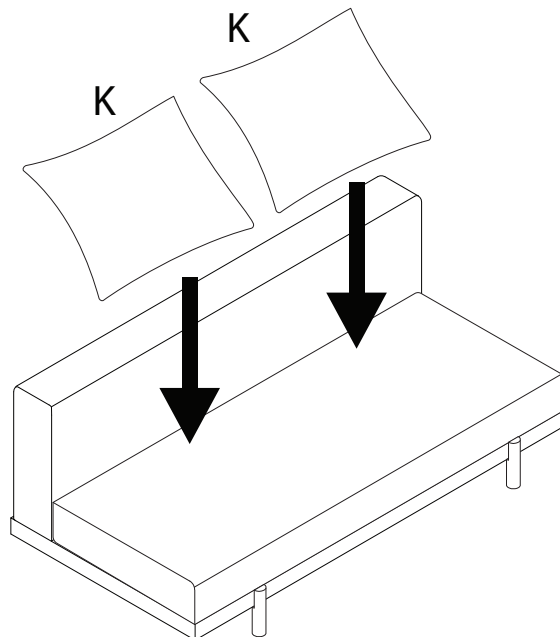
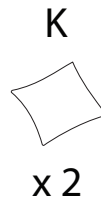
1

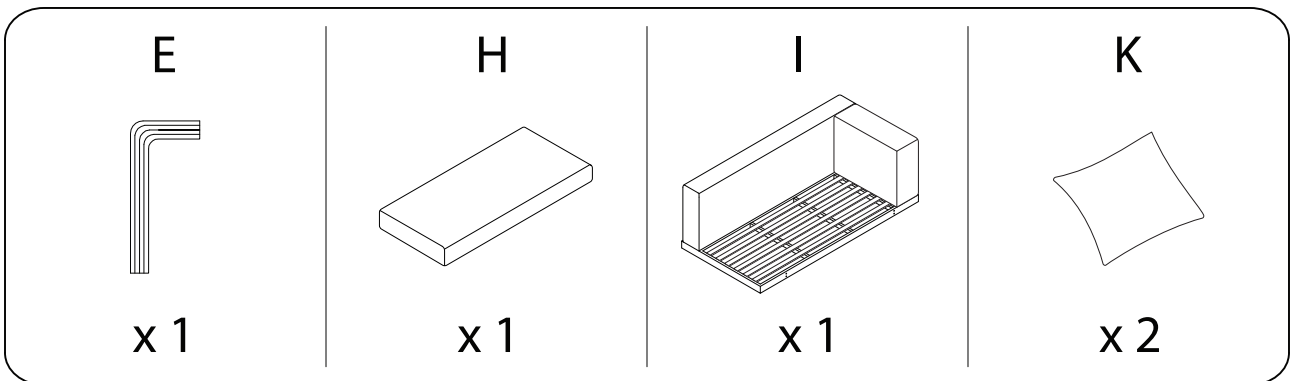
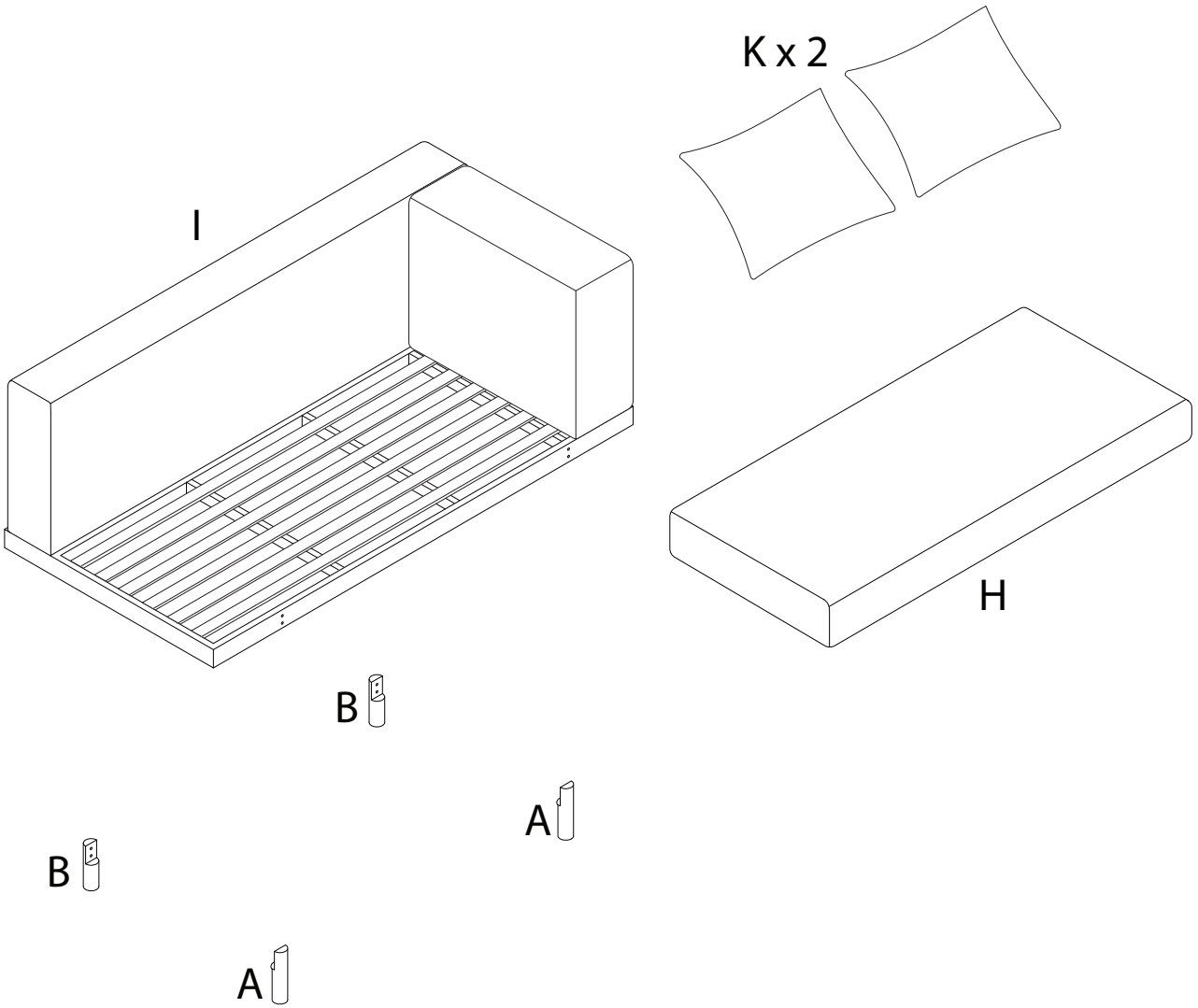
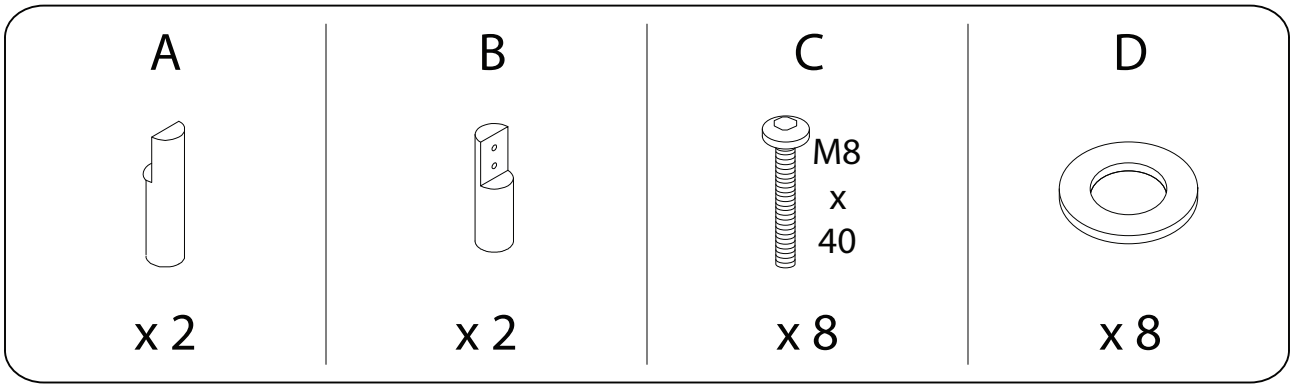


2

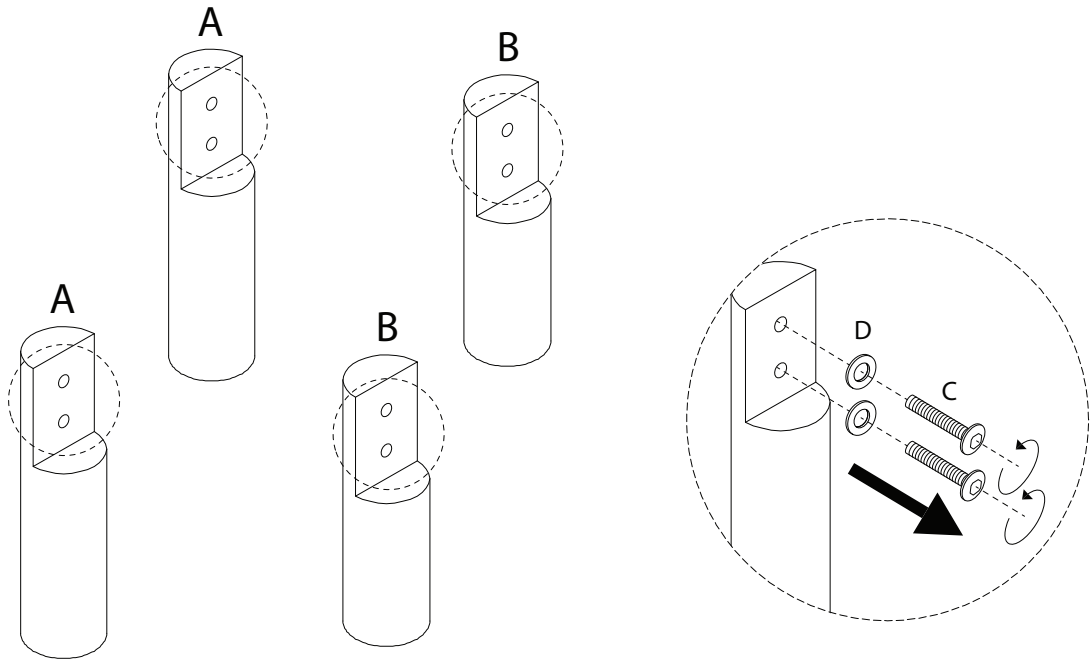


3

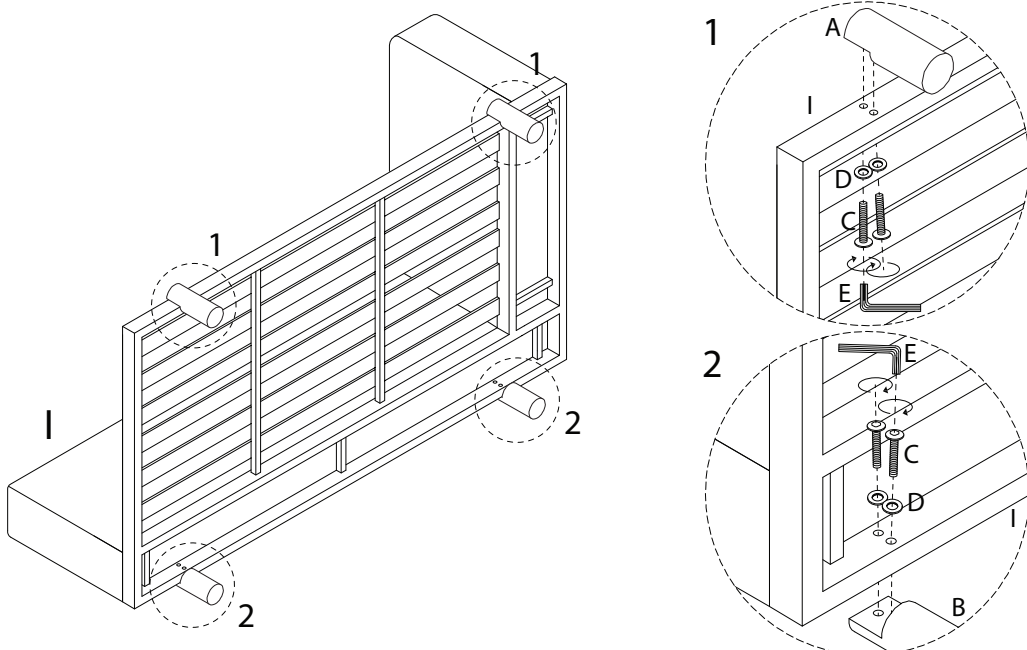
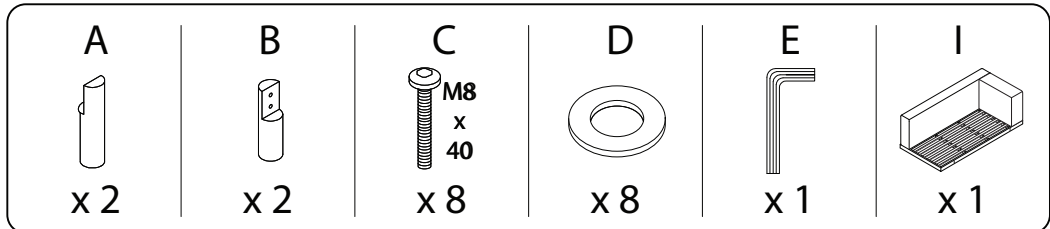




!

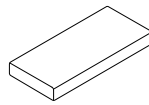


1

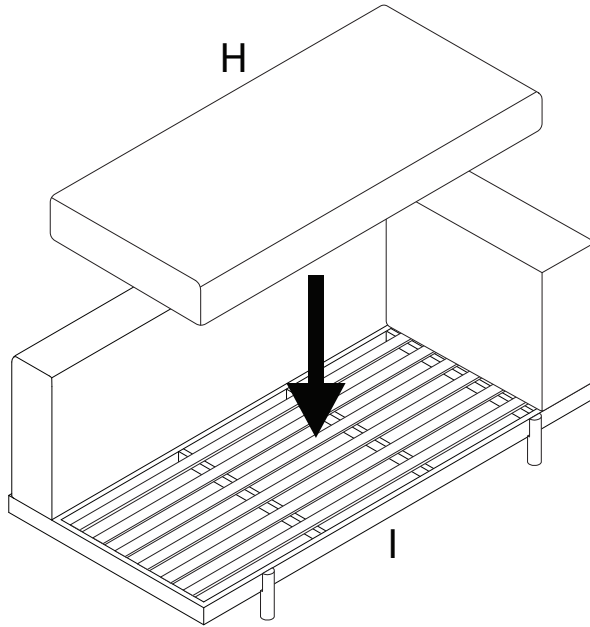


2

H

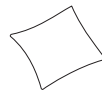


x 1

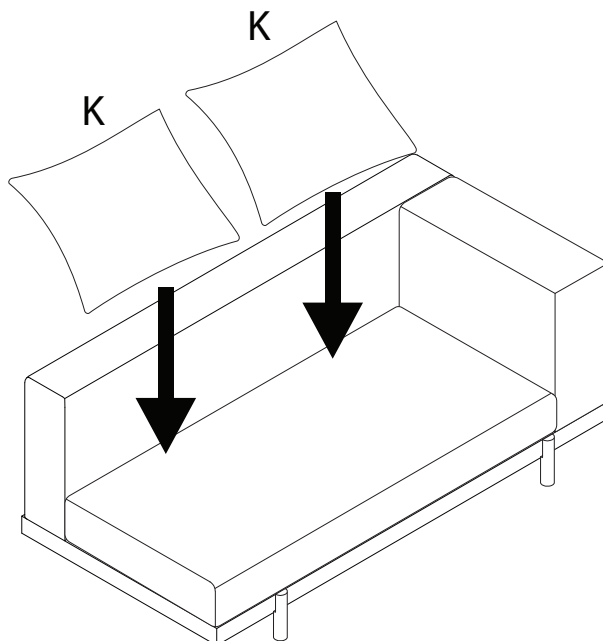


3

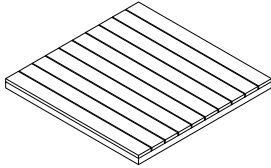

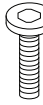
K

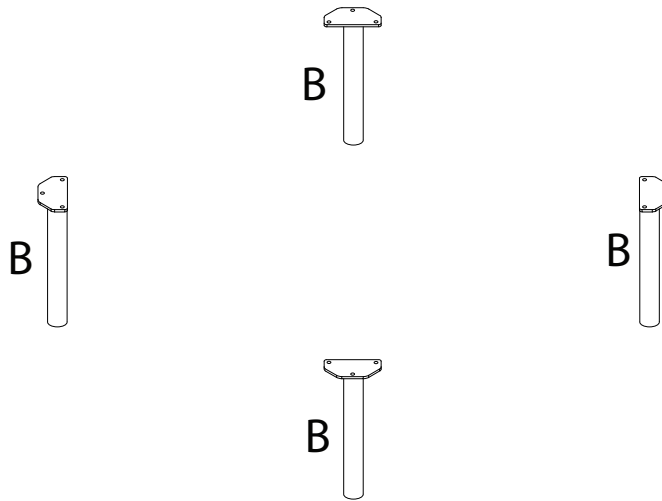
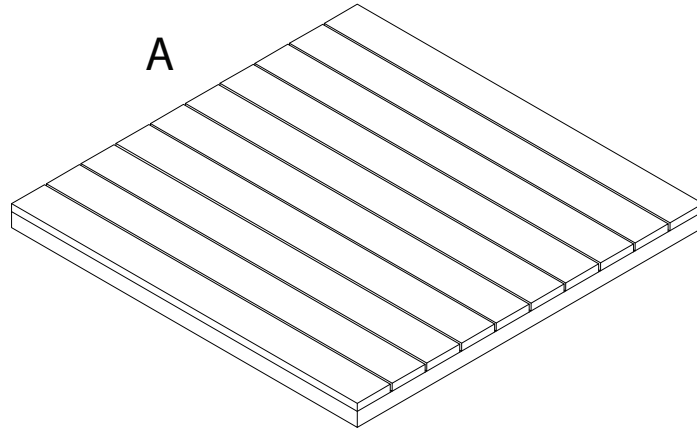


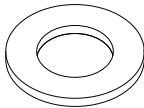
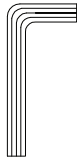
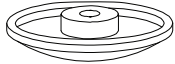
x 2



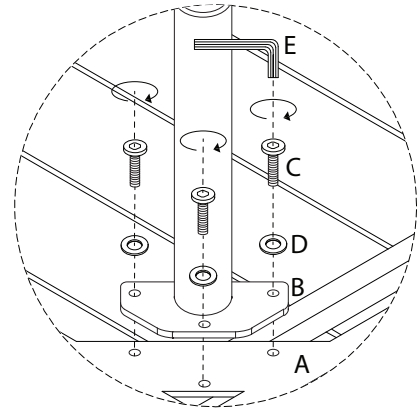
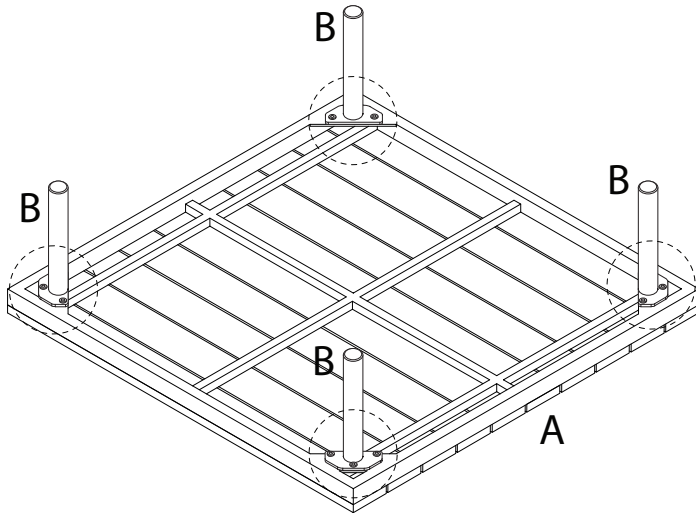
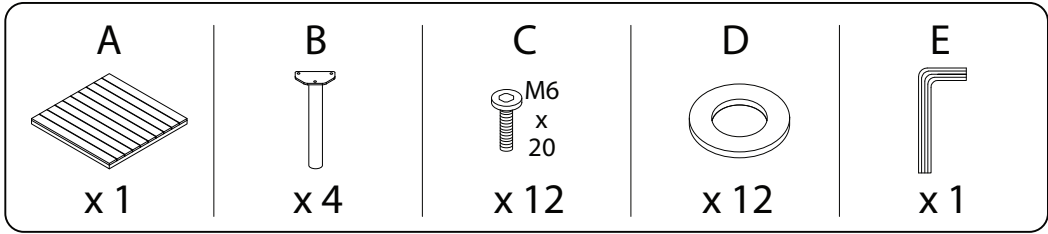
3

<p>A</p>  <p>x 1</p>	<p>B</p>  <p>x 4</p>	<p>C</p>  <p>M6 x 20</p> <p>x 12</p>
---	---	---

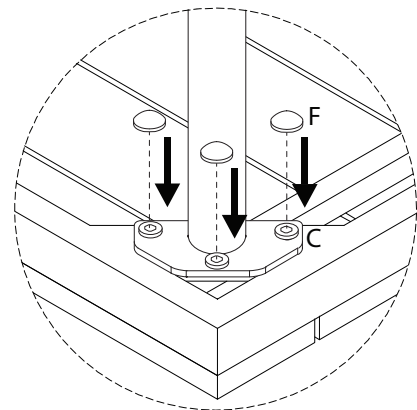
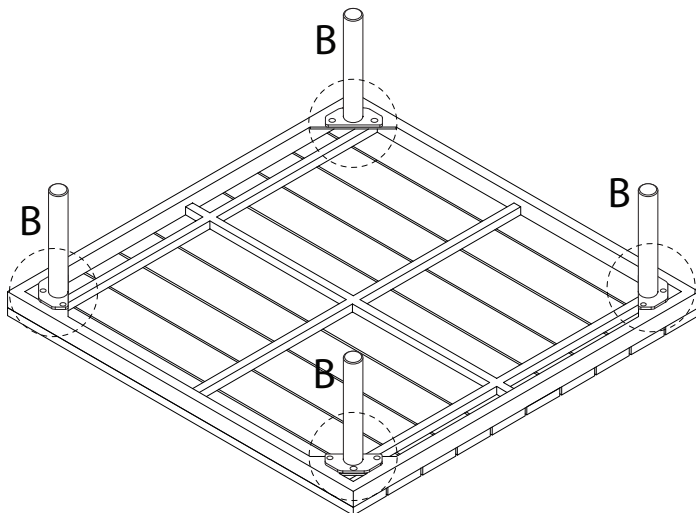
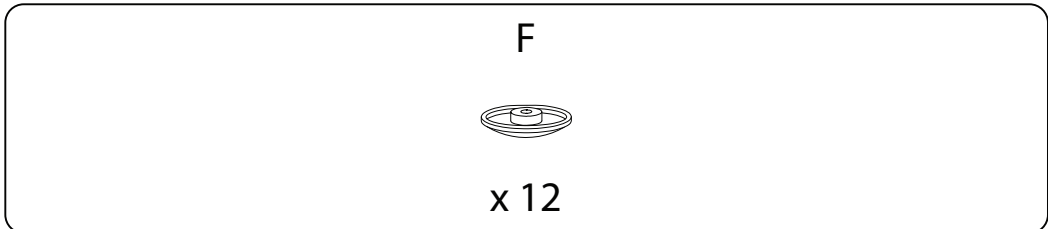


<p>D</p>  <p>x 12</p>	<p>E</p>  <p>x 1</p>	<p>F</p>  <p>x 12</p>
--	---	--

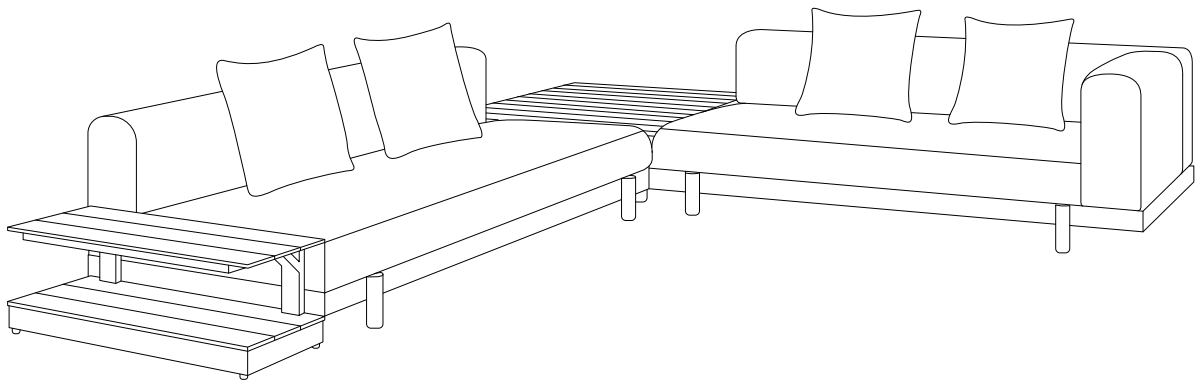
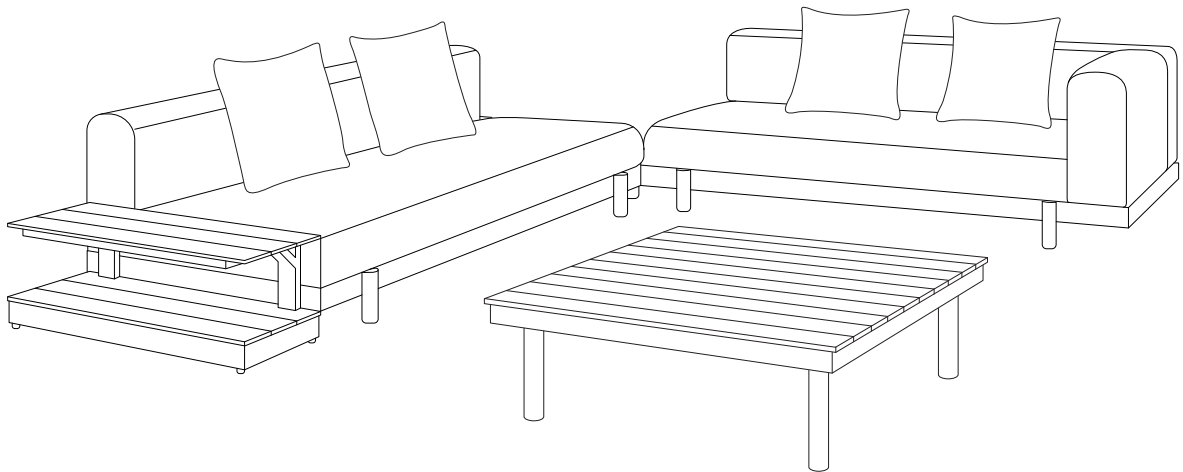
1



2



!



!

