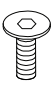
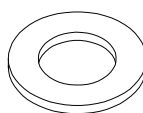
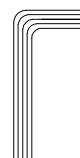
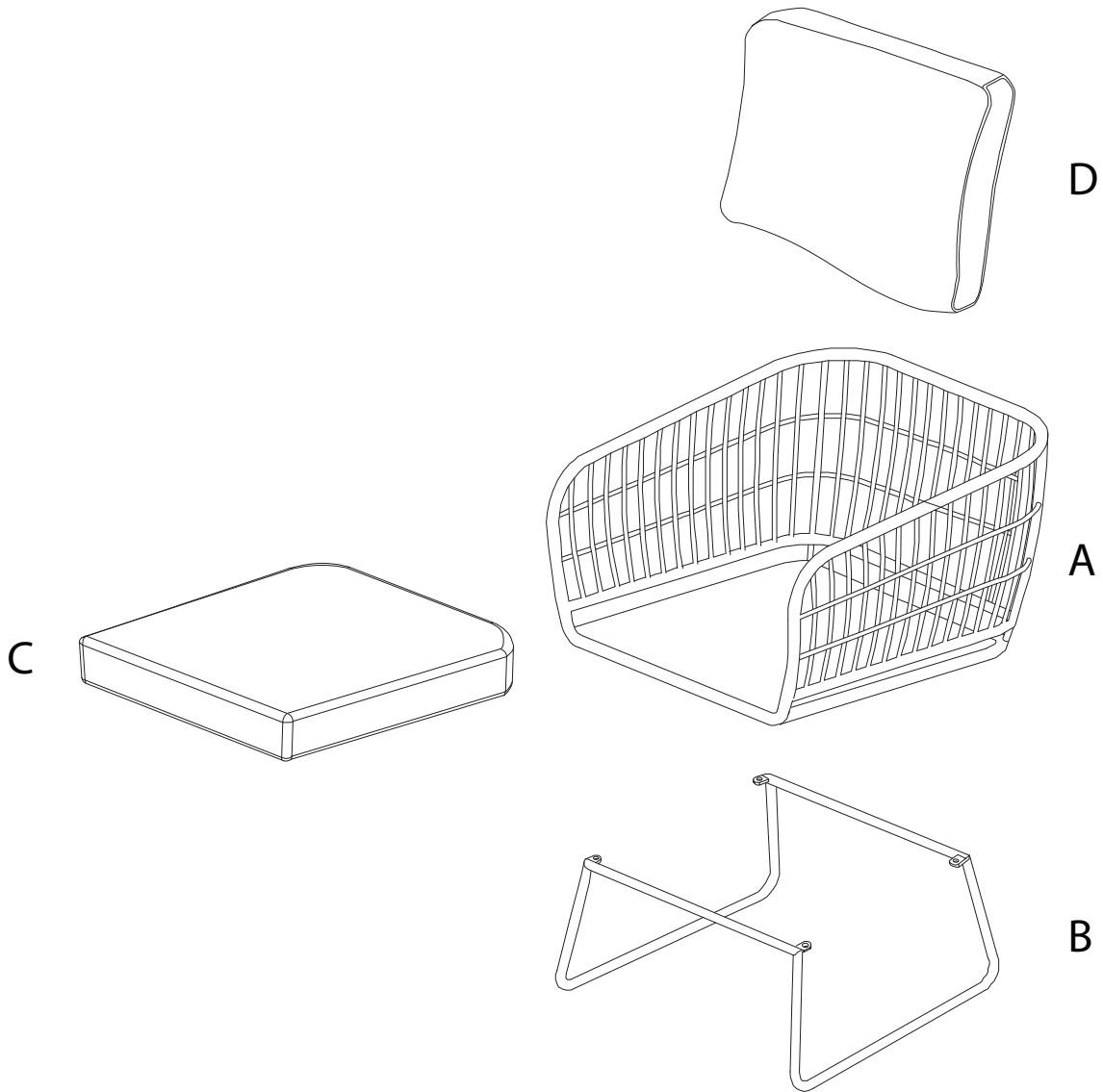


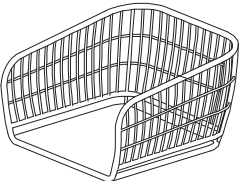
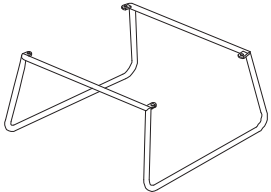
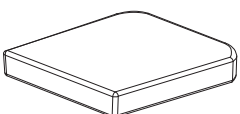
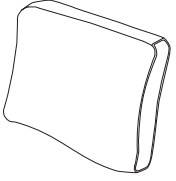
60'

2

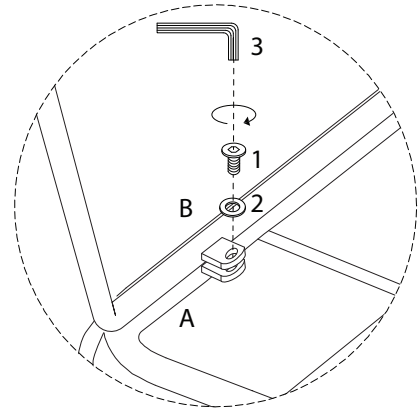
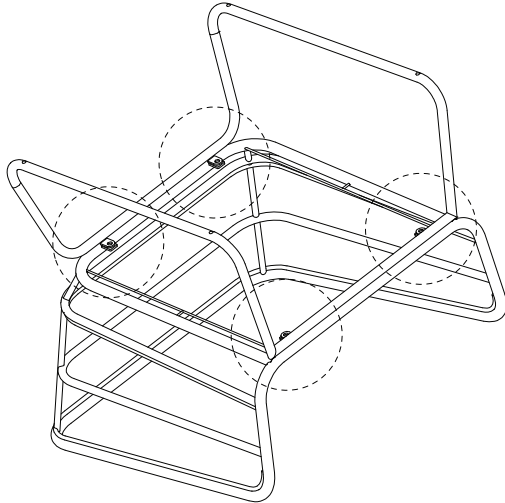
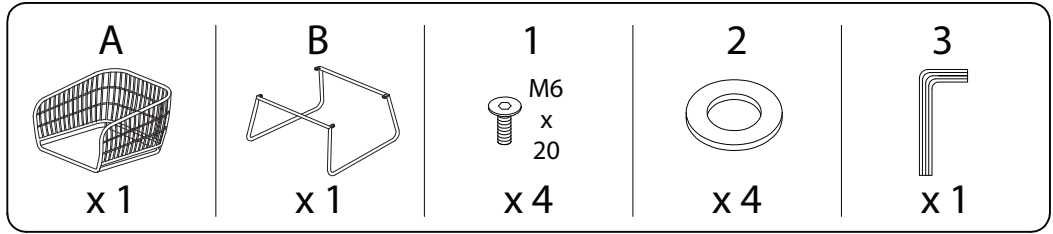
A x 2

<p>1</p>  <p>M6 x 20</p> <p>x 4</p>	<p>2</p>  <p>x 4</p>	<p>3</p>  <p>x 1</p>
--	---	---

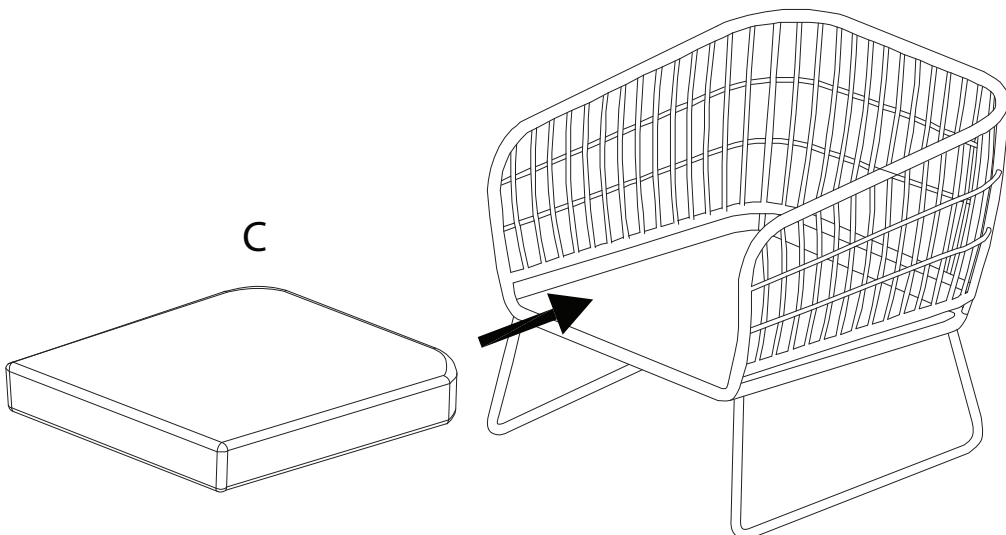
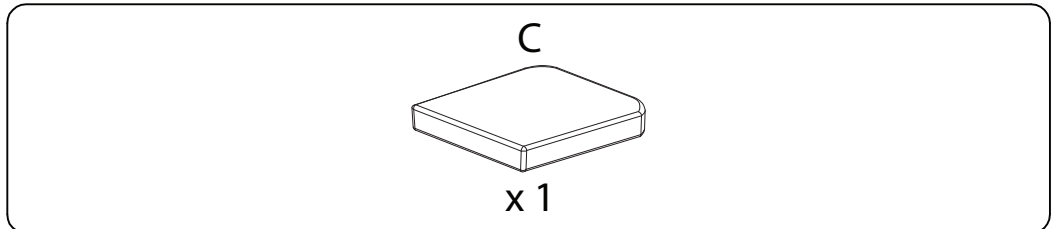


<p>A</p>  <p>x 1</p>	<p>B</p>  <p>x 1</p>	<p>C</p>  <p>x 1</p>	<p>D</p>  <p>x 1</p>
---	---	--	---

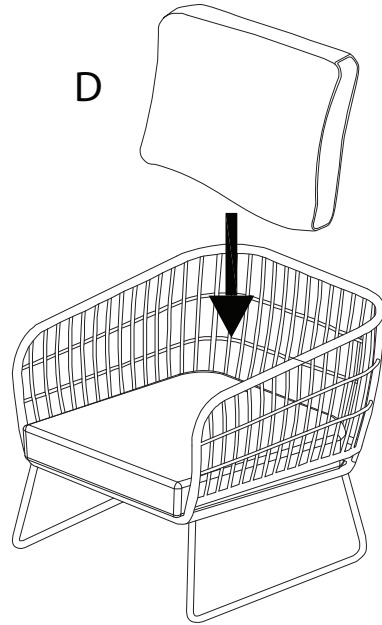
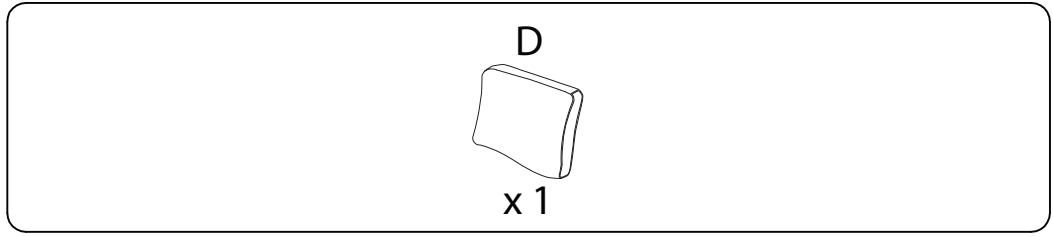
1




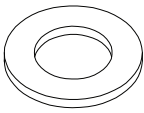

2

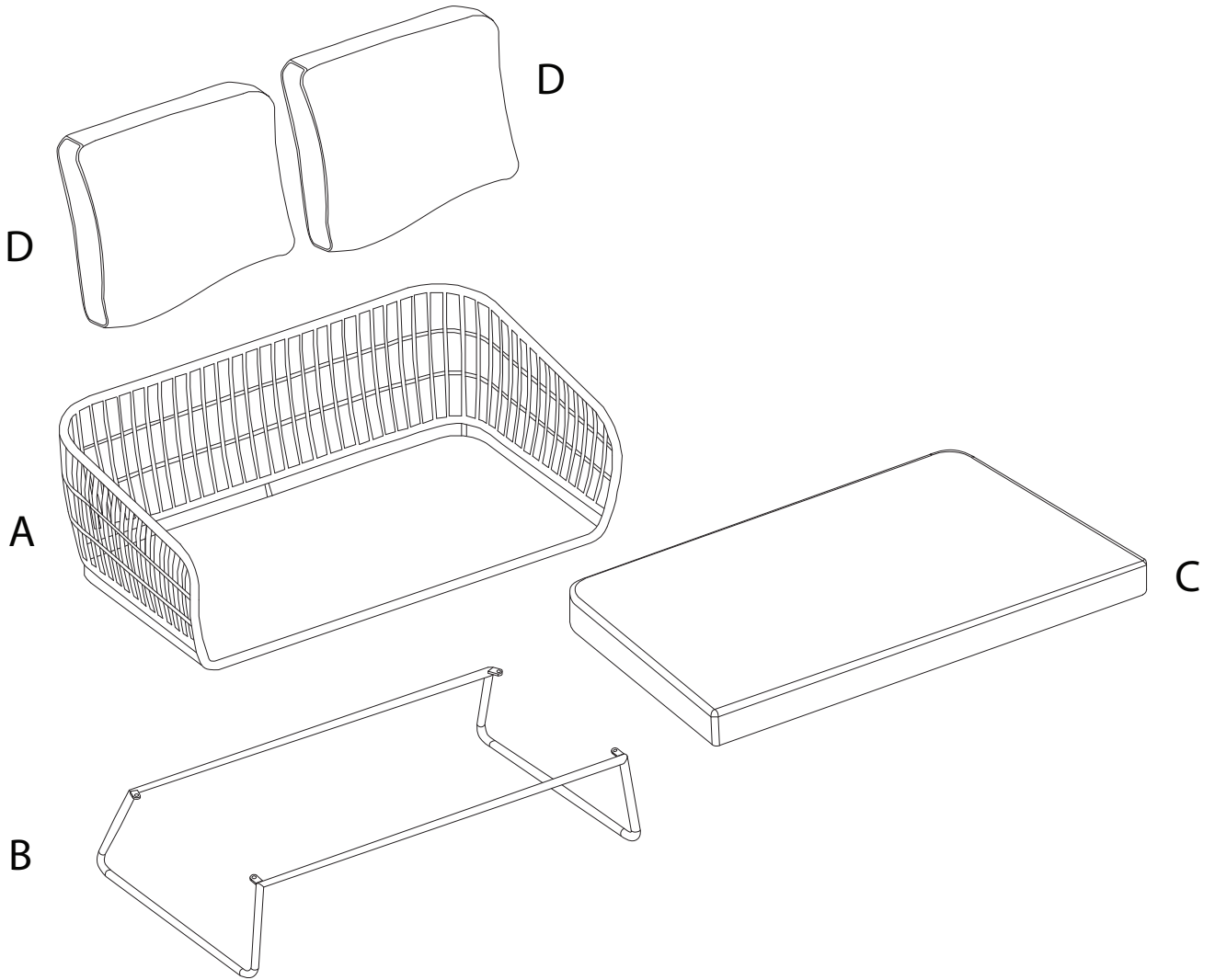


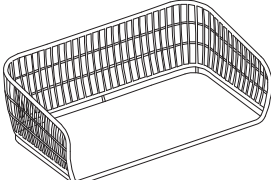
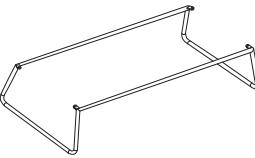
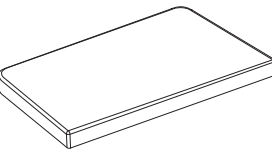
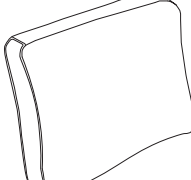
3



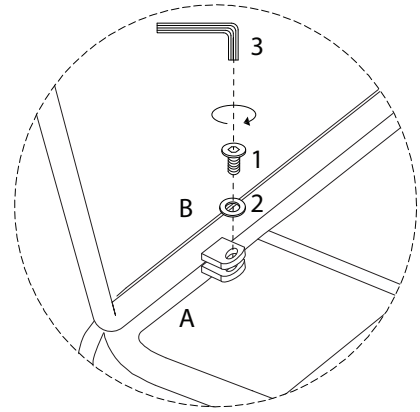
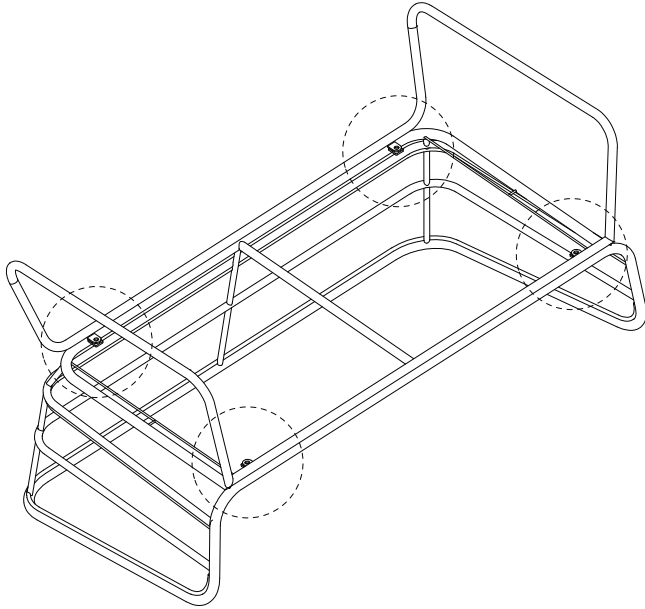
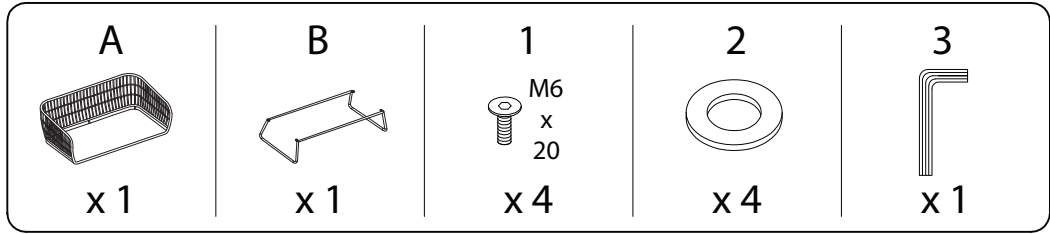
B

<p>1</p>  <p>M6 x 20</p> <p>x 4</p>	<p>2</p>  <p>x 4</p>	<p>3</p>  <p>x 1</p>
--	---	---

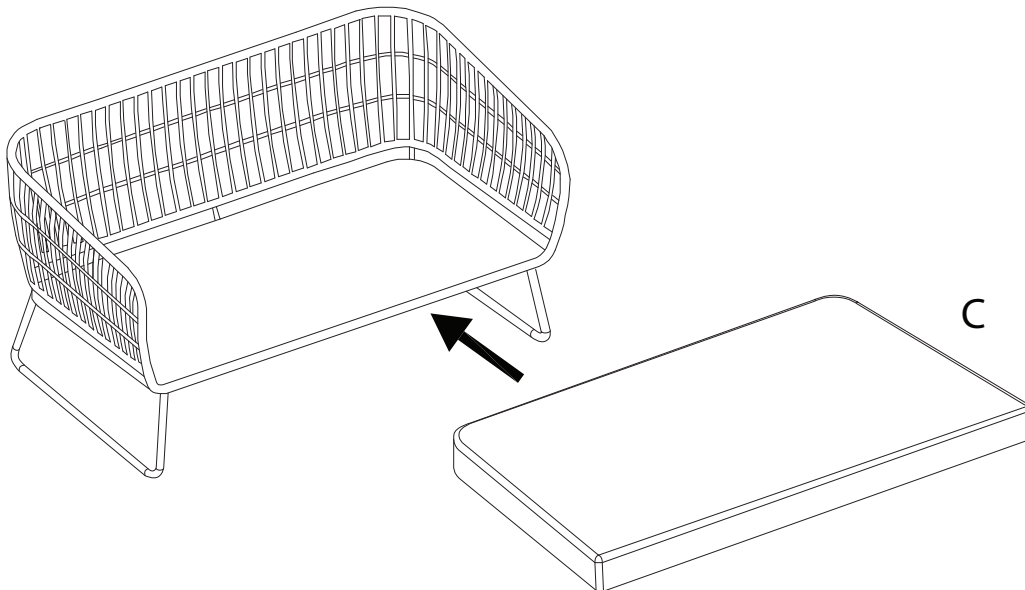
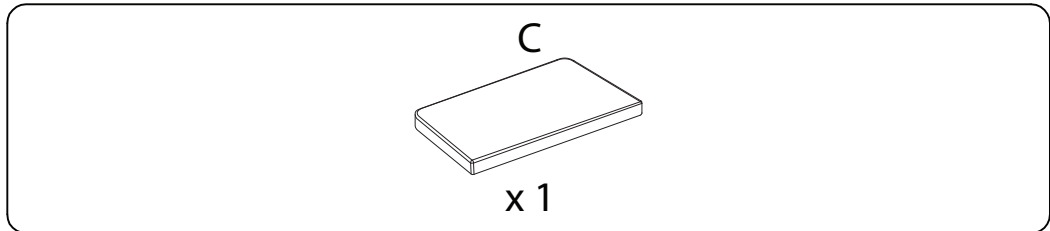


<p>A</p>  <p>x 1</p>	<p>B</p>  <p>x 1</p>	<p>C</p>  <p>x 1</p>	<p>D</p>  <p>x 2</p>
---	---	--	---

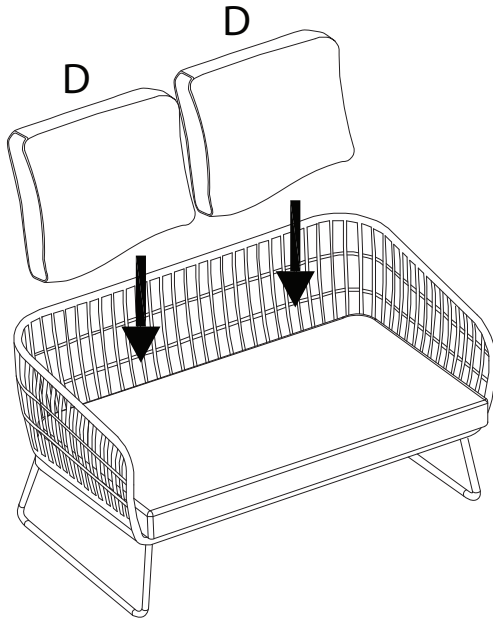
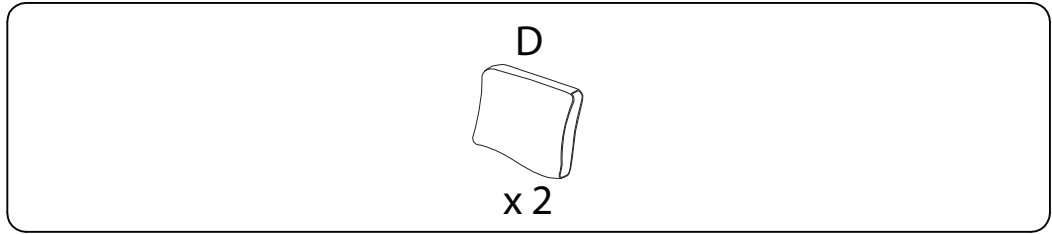
1



2

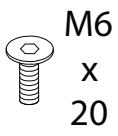


3



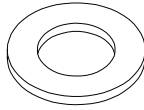
C

1



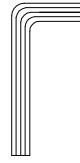
x 6

2



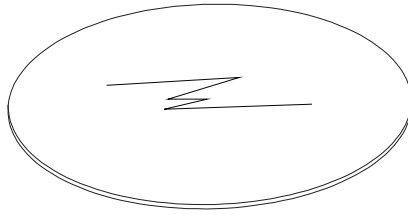
x 6

3

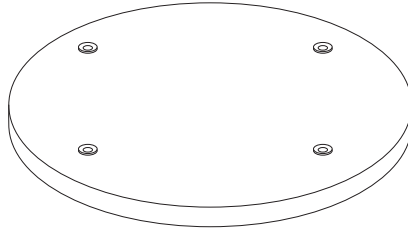


x 1

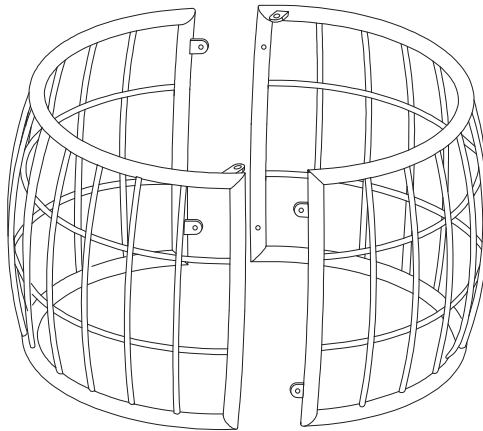
C



A

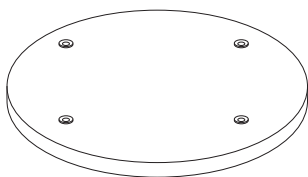


B



B

A



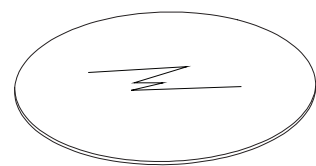
x 1

B



x 2

C



x 1

1

B



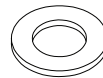
x 2

1



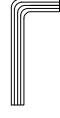
x 4

2

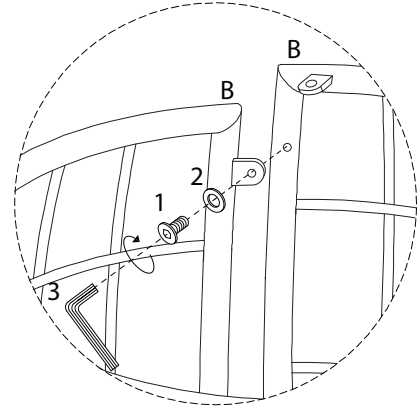
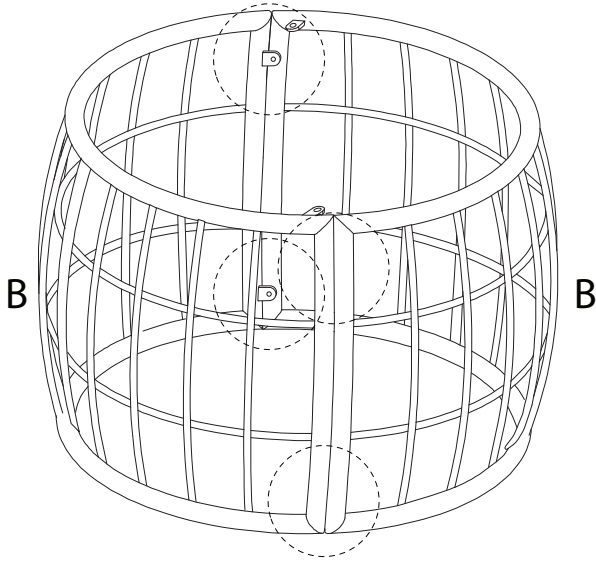


x 4

3

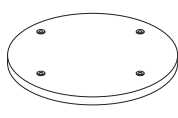


x 1



2

A



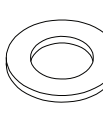
x 1

1



x 2

2

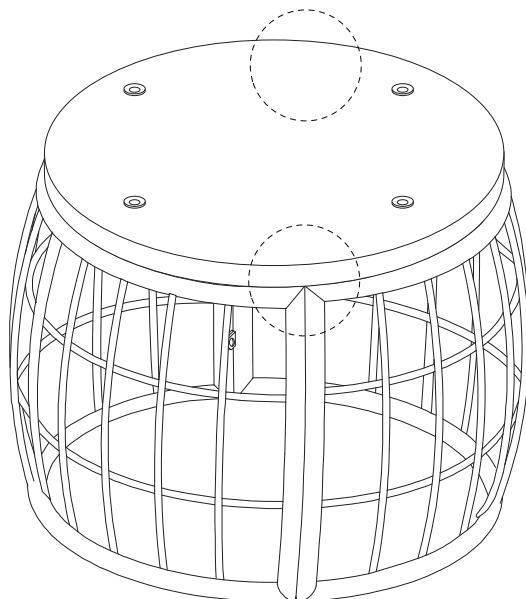


x 2

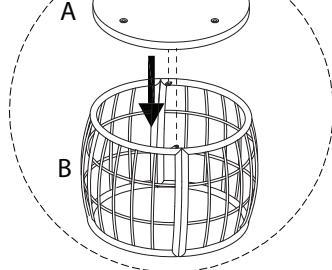
3



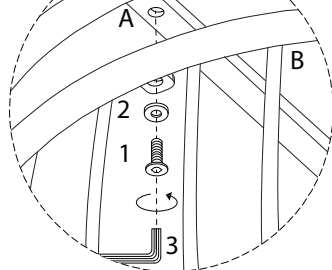
x 1



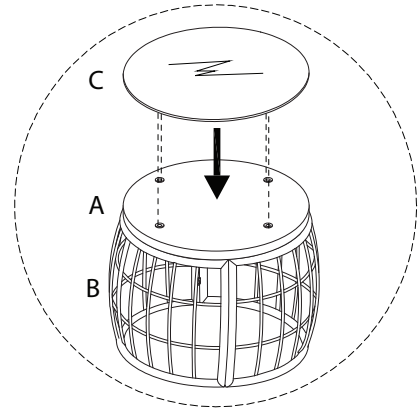
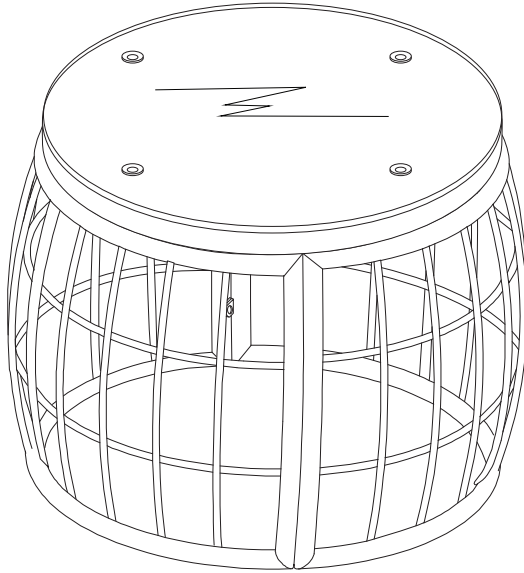
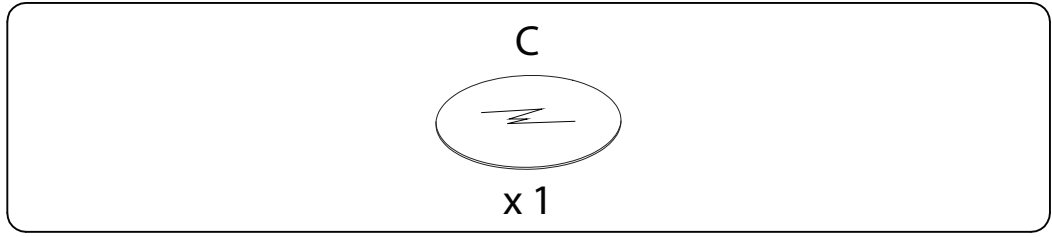
1a



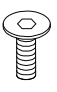
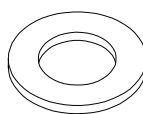
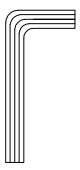
1b

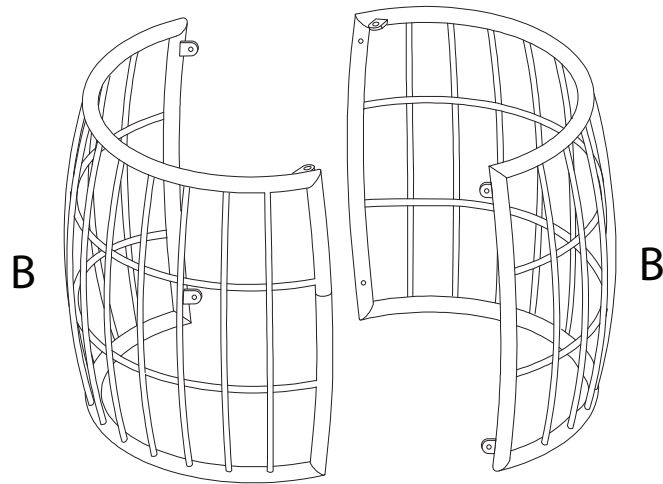
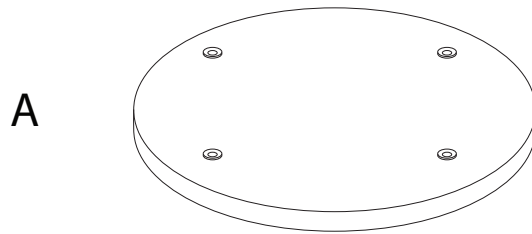
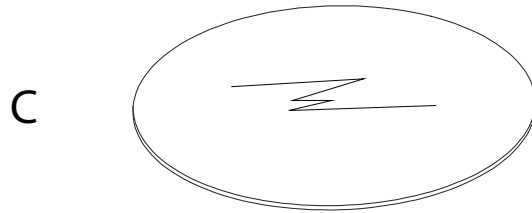


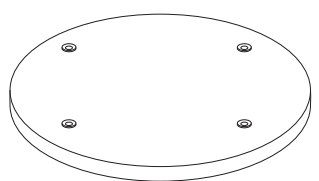
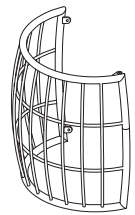
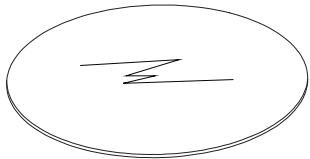
3



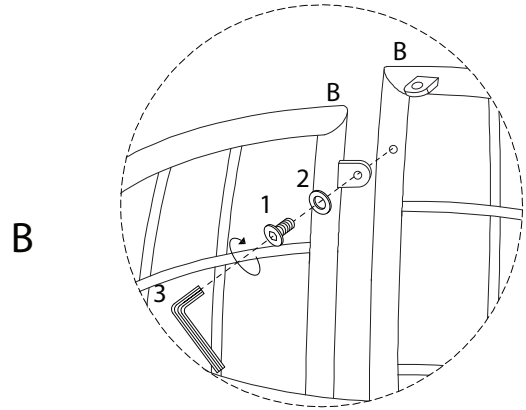
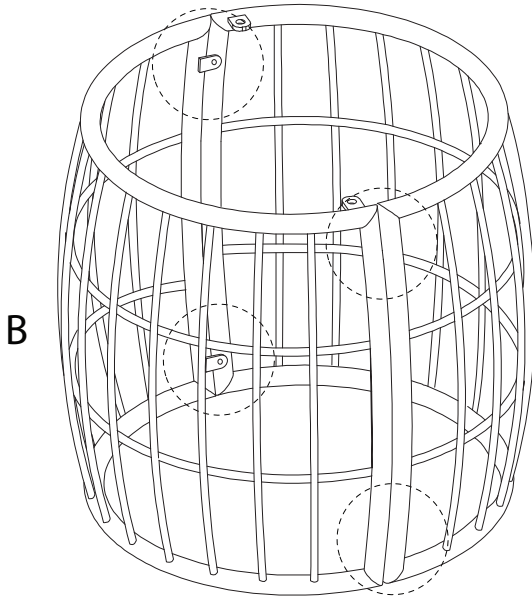
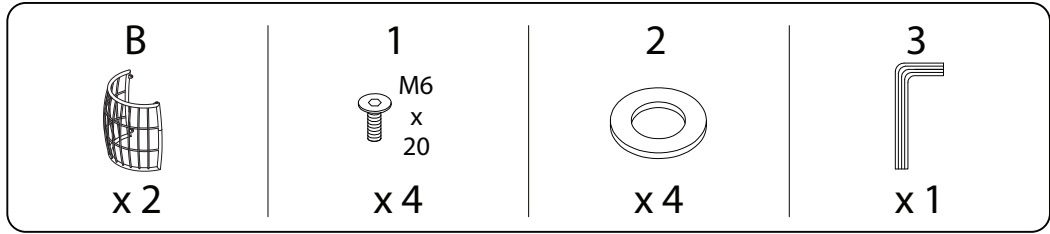
D

<p>1</p>  <p>M6 x 20</p> <p>x 6</p>	<p>2</p>  <p>x 6</p>	<p>3</p>  <p>x 1</p>
--	---	---

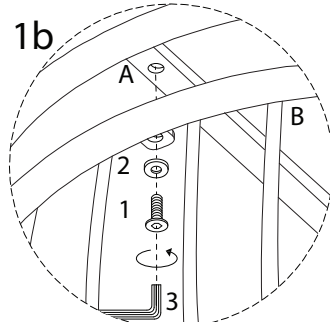
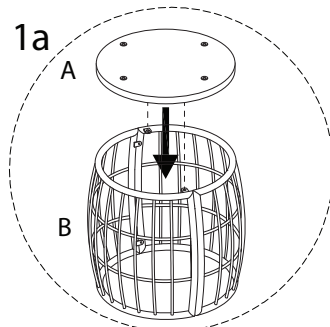
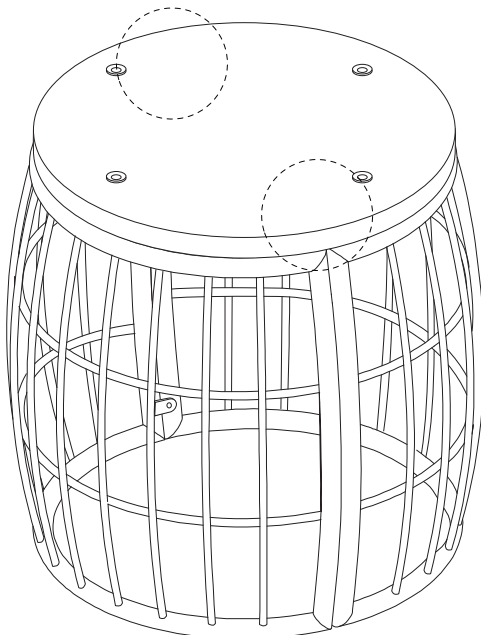
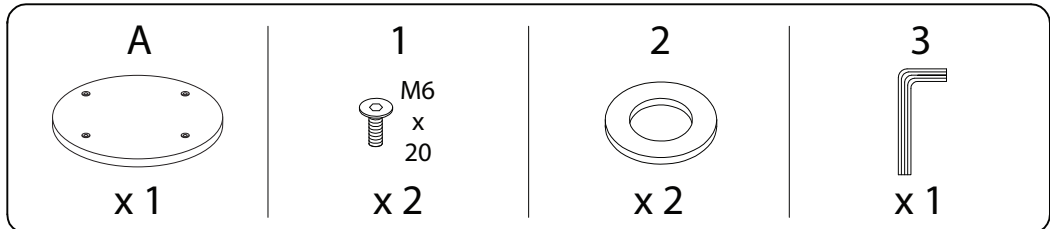


<p>A</p>  <p>x 1</p>	<p>B</p>  <p>x 2</p>	<p>C</p>  <p>x 1</p>
---	---	---

1



2



3

