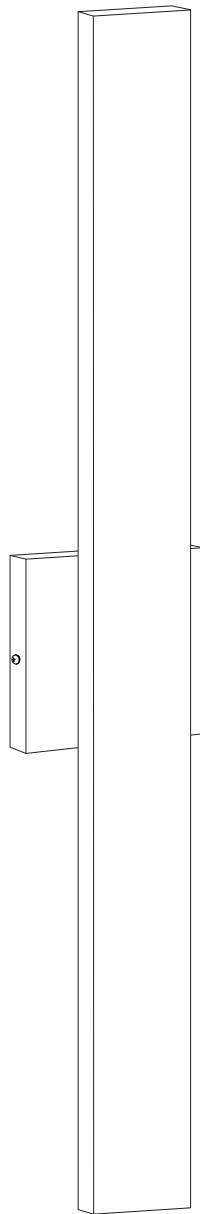
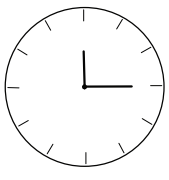
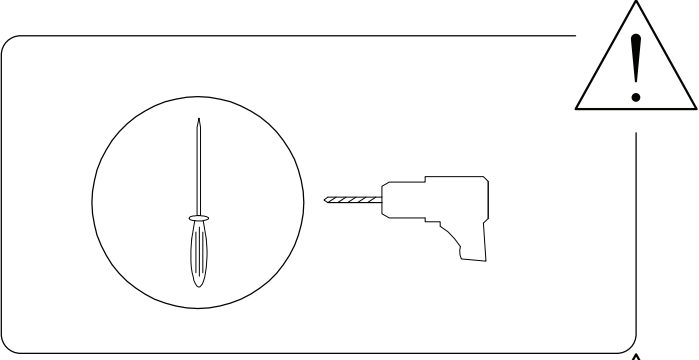
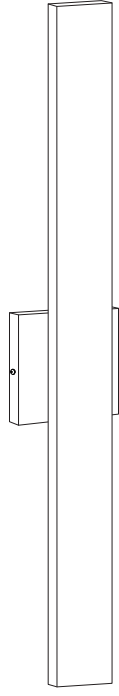
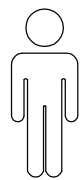
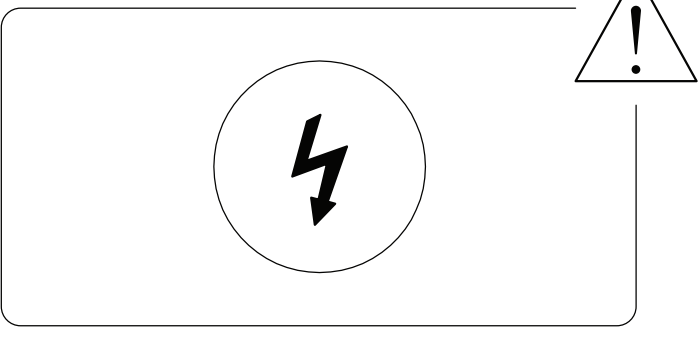


MELGAM

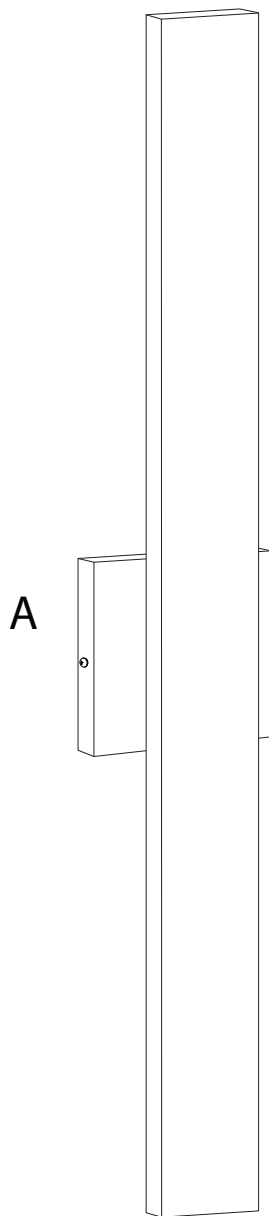




15'



1

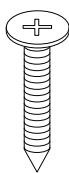


A



x 1

B



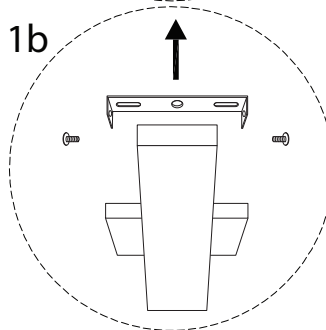
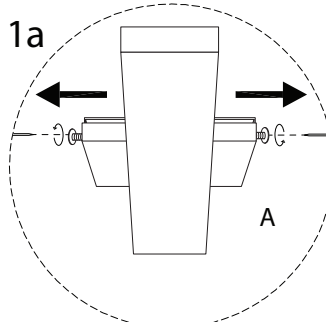
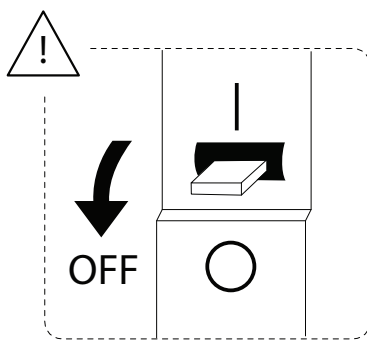
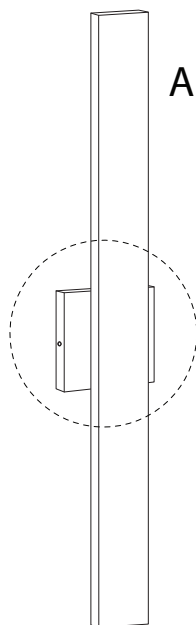
x 2

C



x 2

1



2

