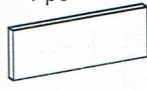












ASSEMBLY INSTRUCTIONS











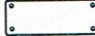

MODEL :
BD016-FS

ITEM CODE:
1987

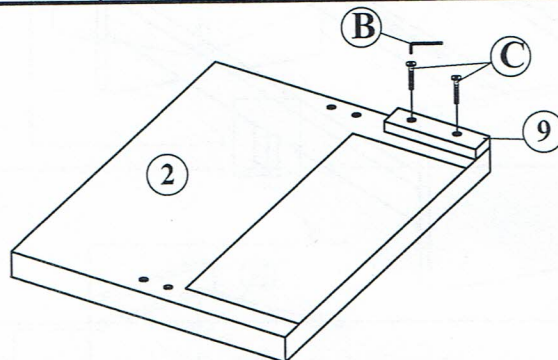
COMPONENT

Back Rest - 1 pc  ①	Arm - 2 pcs  ②	Side Rail - 1 pc  ③	Drawer Board - 2 pcs  ④	Drawer Panel - 4 pcs  ⑤	Drawer Side Panel - 4 pcs  ⑥
Drawer Bottom Panel - 2 pcs  ⑦	Drawer Support - 6 pcs  ⑧	Drawer Block Leg - 2 pcs  ⑨	Drawer Block (Center) - 1 pc  ⑩	Bed Slat - 2 sets(13pcs)  ⑪	

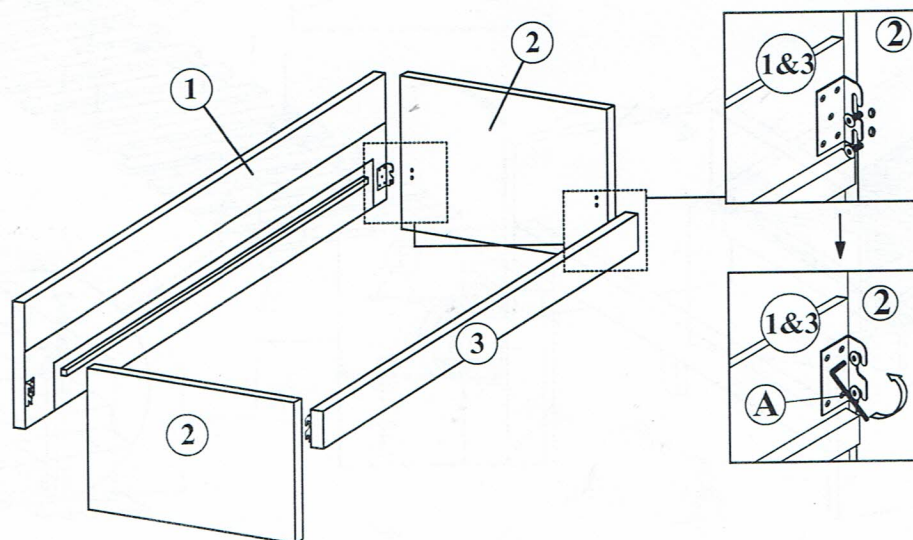
HARDWARE

Allen Key M5 - 1 pc  A	Allen Key M4 - 1 pc  B	JCBC Bolt M6 x 35mm - 4 pcs  C	Wood Screw M4 x 20mm - 12 pcs  D	Castor Wheel - 8 pcs  E	Wood Screw M3.5 x 16mm - 32 pcs  F
Wood Screw M4 x 25mm - 8 pcs  G	JCBC M6 x 30mm - 10 pcs  H	Handle Screw M4 x 32mm - 16 pcs  I	Power Nail 20mm - 52 pcs  J	Metal Plate - 2 pcs  K	Wood Screw M4 x 20mm - 8 pcs  L

STEP 1 :

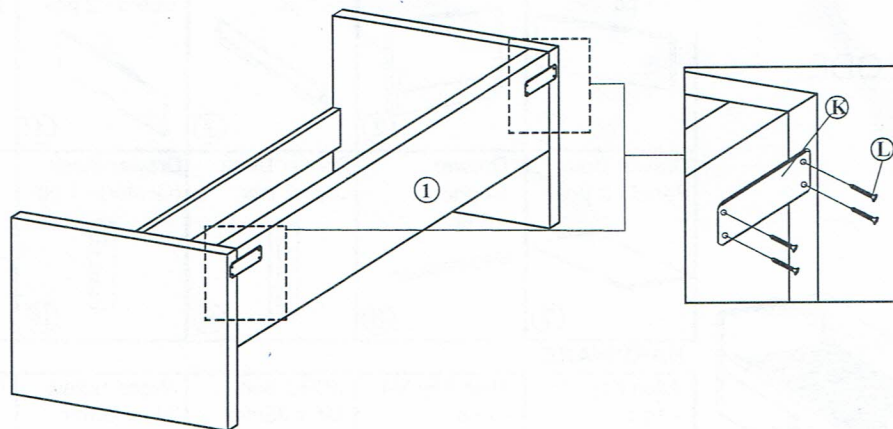


STEP 2 :

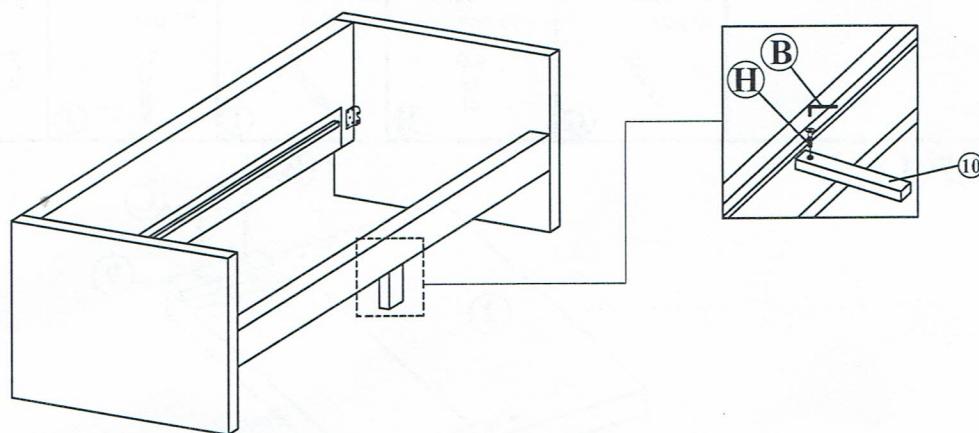


ASSEMBLY INSTRUCTIONS

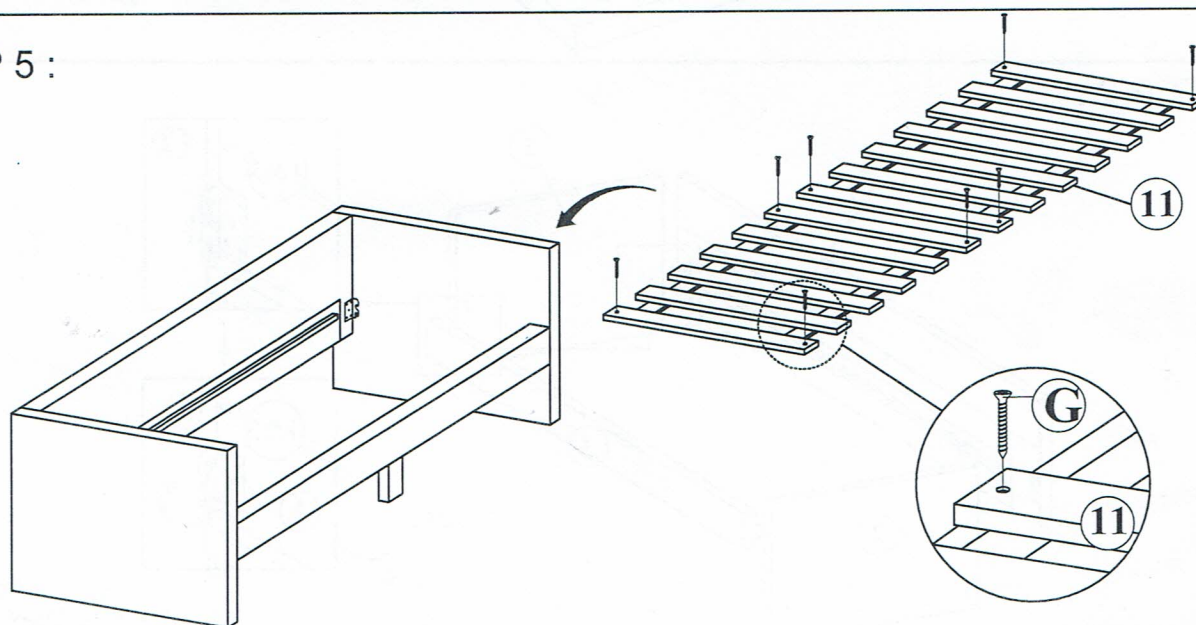
STEP 3 : BACKVIEW



STEP 4 :

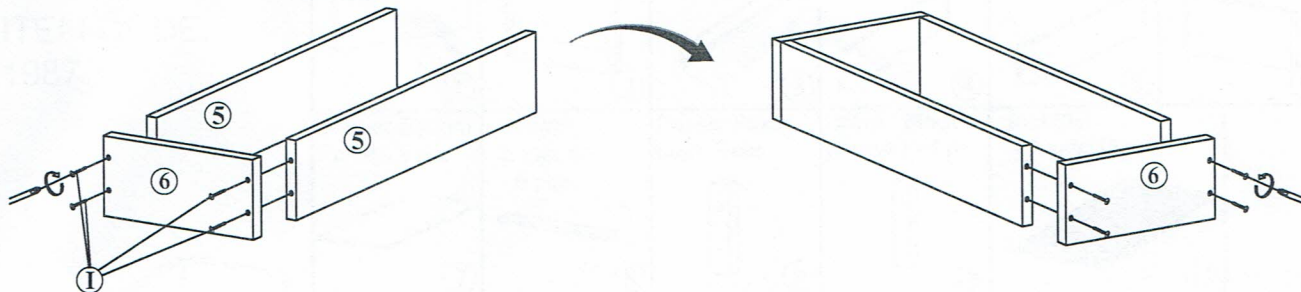


STEP 5 :

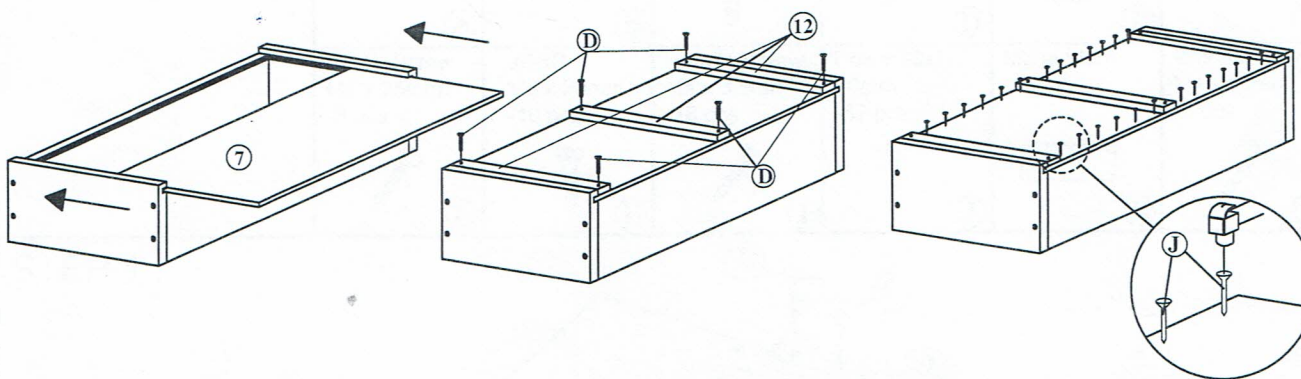


ASSEMBLY INSTRUCTIONS

STEP 6 :



STEP 7 :



STEP 8 :

