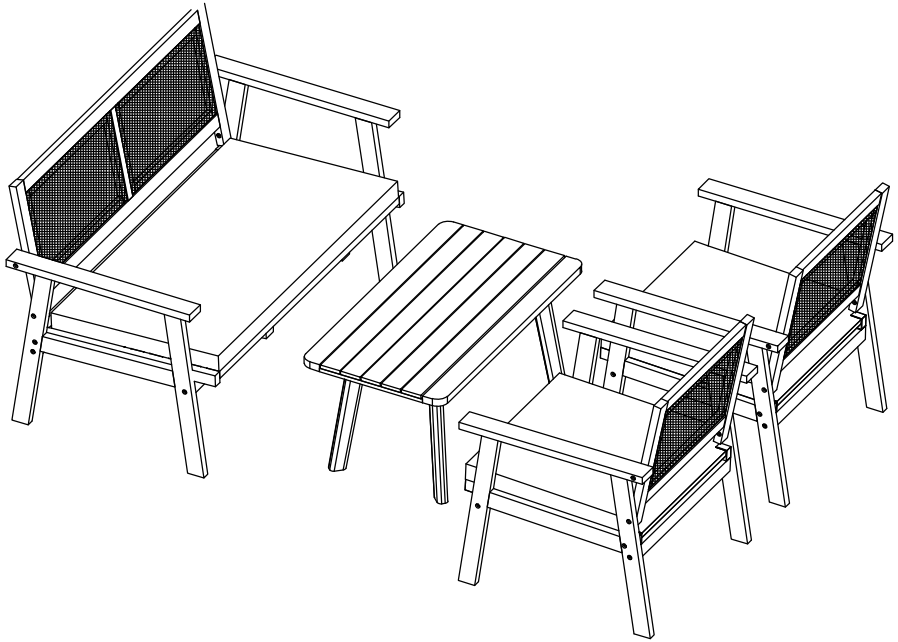






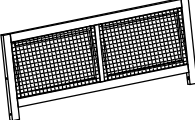
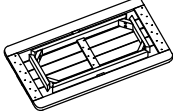
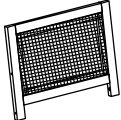
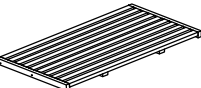
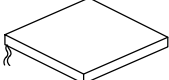

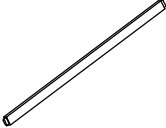
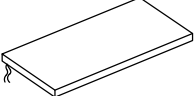









ASSEMBLY INSTRUCTIONS



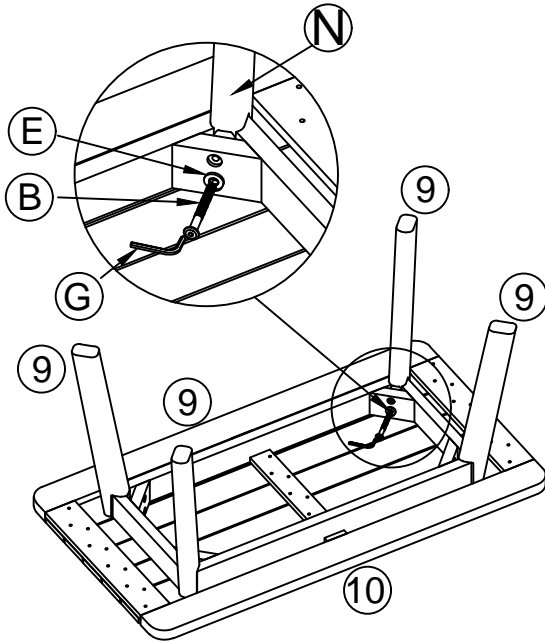


PARTLIST AND HARDWARE

①	 RIGHT	X3	⑤		X4	⑨		X4
②	 LEFT	X3	⑥		X1	⑩		X1
③		X2	⑦		X1	⑪		X2
④		X2	⑧		X2	⑫		X1

				
6X80X13mm	6X50X13mm	6X35X13mm	6X60X13mm	Washer 6.5X18X2mm
① 6 PCS	② 14 PCS	③ 12 PCS	④ 12 PCS	⑤ 8 PCS
				
			6X15 X13mm	4X80mm
			⑥ 12 PCS	⑦ 2 PCS

STEP 1

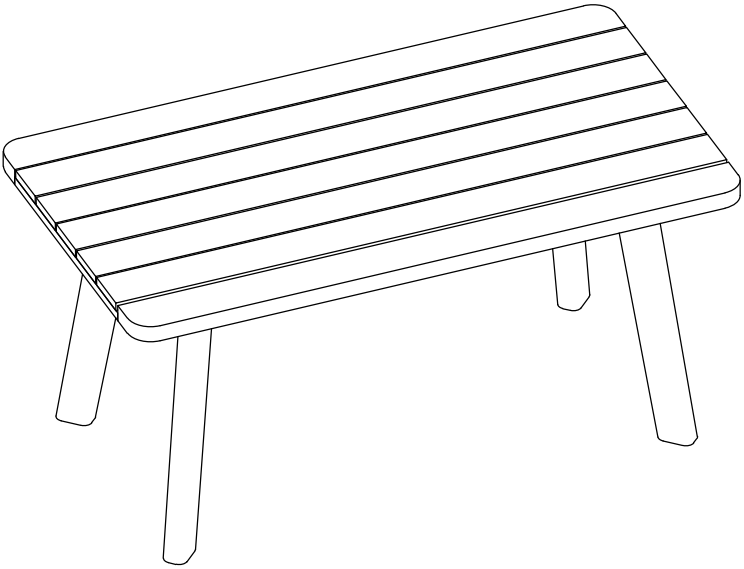


(B) X 8

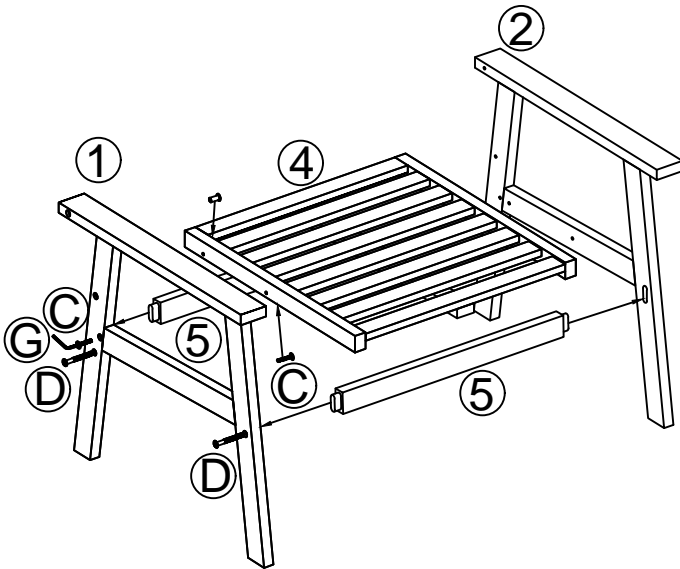
(E) X 8

(G) X 1

STEP 2

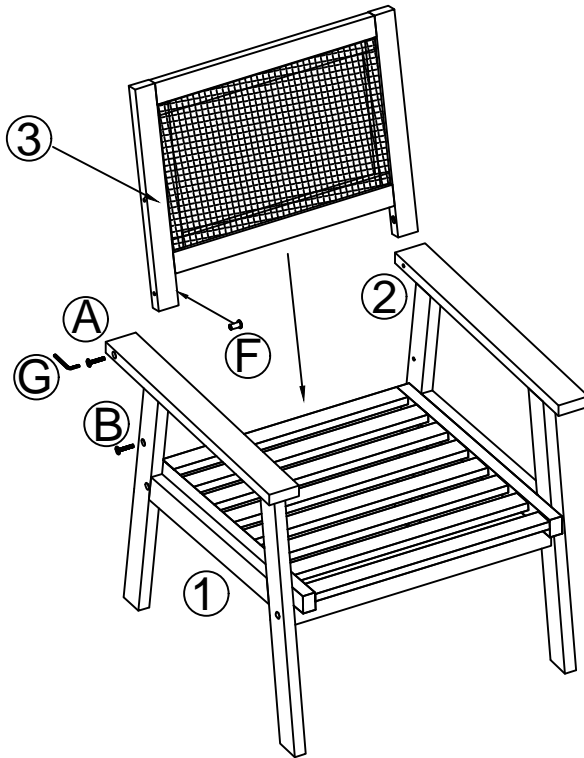


STEP 3



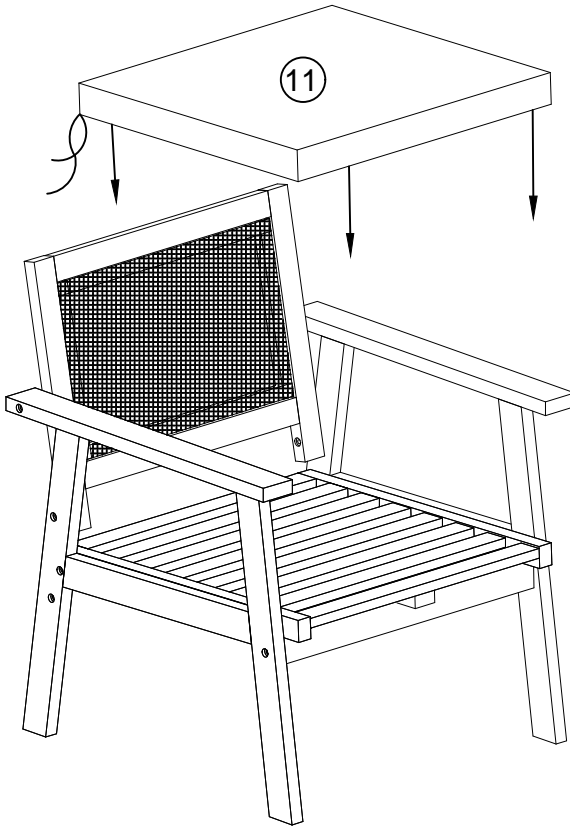
Ⓒ X4 Ⓓ X4 Ⓕ X2 Ⓖ X1

STEP 4

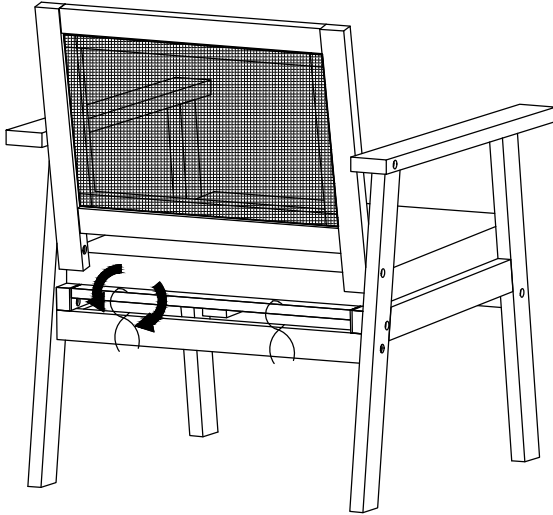


Ⓐ X2 Ⓑ X2 Ⓕ X2 Ⓖ X1

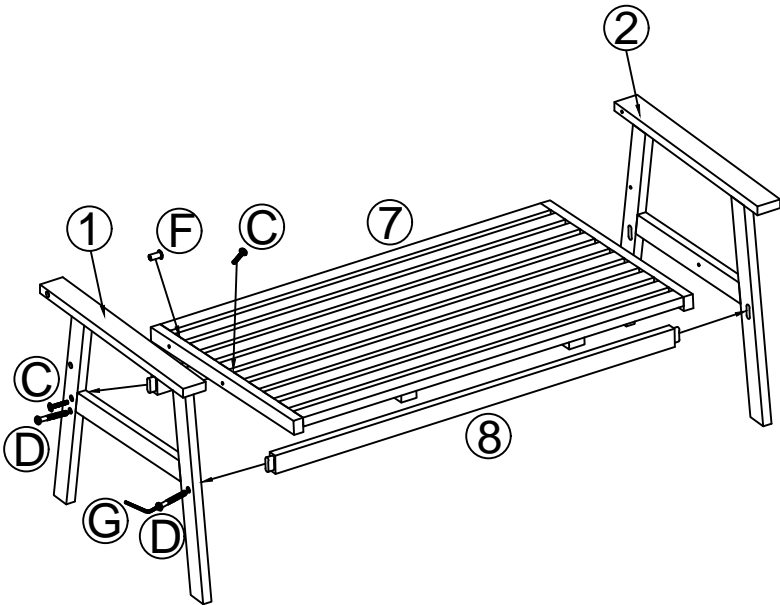
STEP 5



STEP 6

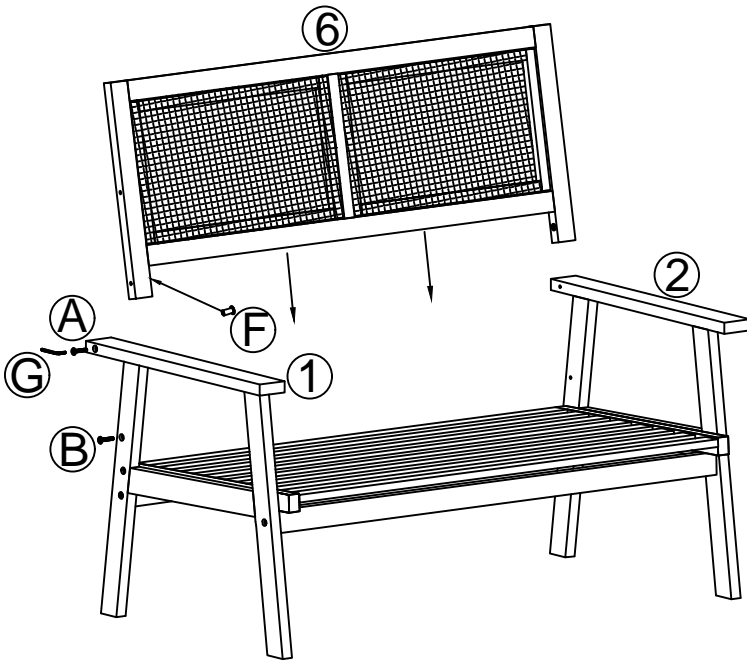


STEP 7



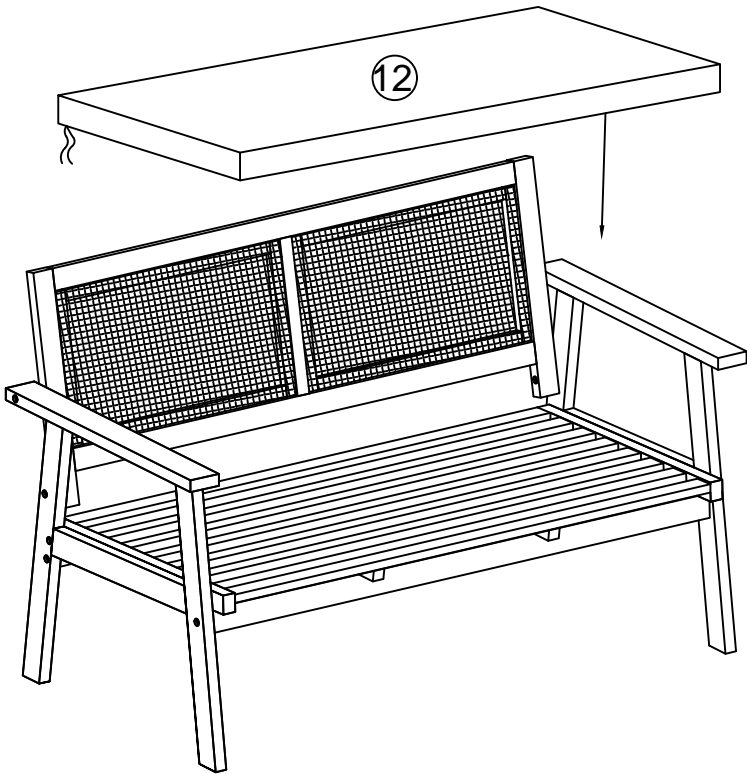
Ⓒ X4 Ⓓ X4 Ⓕ X2 Ⓖ X1

STEP 8

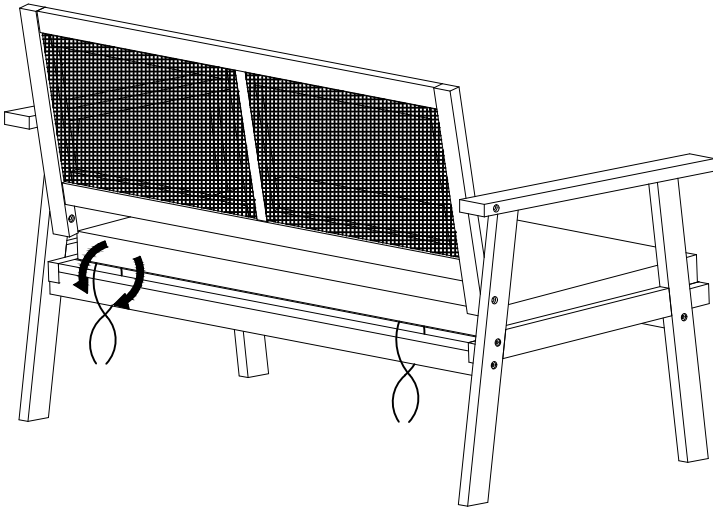


(A) X2 (B) X2 (F) X2 (G) X1

STEP 9



STEP 10



FINISHED