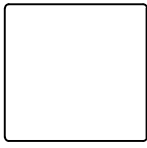


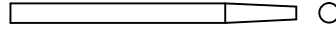
ASSEMBLY INSTRUCTION

PARTS LIST

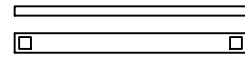
1. - 1 Pc.



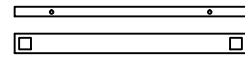
2. - 4 Pcs.



3. - 2 Pcs.



4. - 2 Pcs.



FITTINGS

A. M8*40-4Pcs.



B. M8*18*1.5-4Pcs.



C. M6*55-4Pcs.



D. M6*16*1.0-4Pcs.



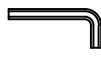
E. -4Pcs.



F. M6-1Pc.



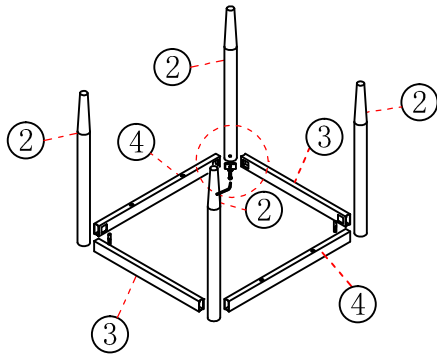
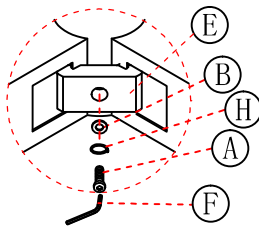
G. M4-1Pc.



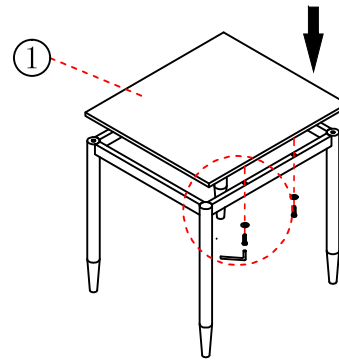
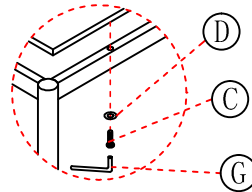
H. M8*2.0-4Pcs.



1.



2.



3.

