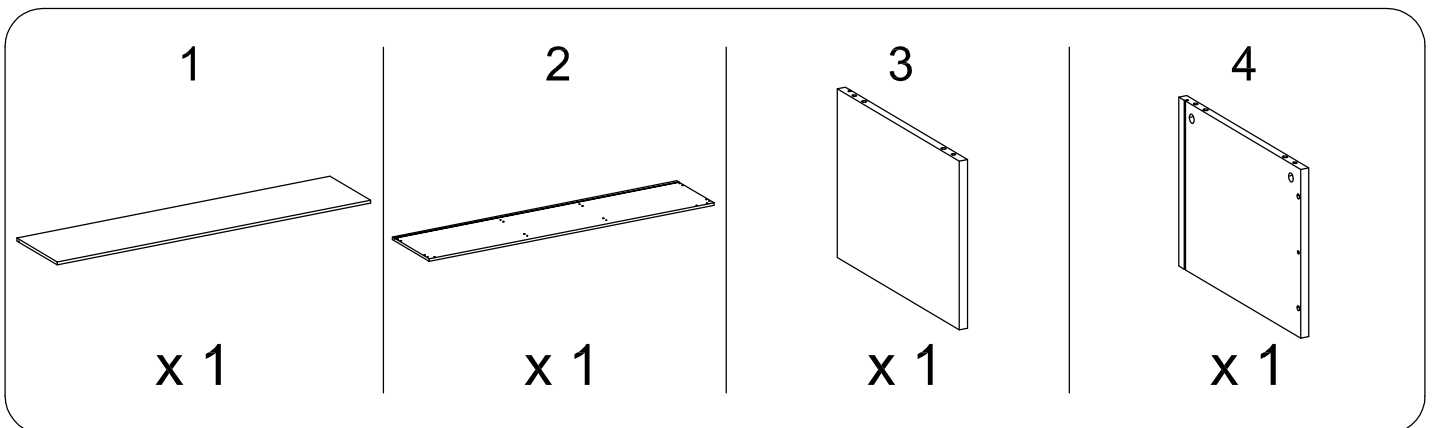
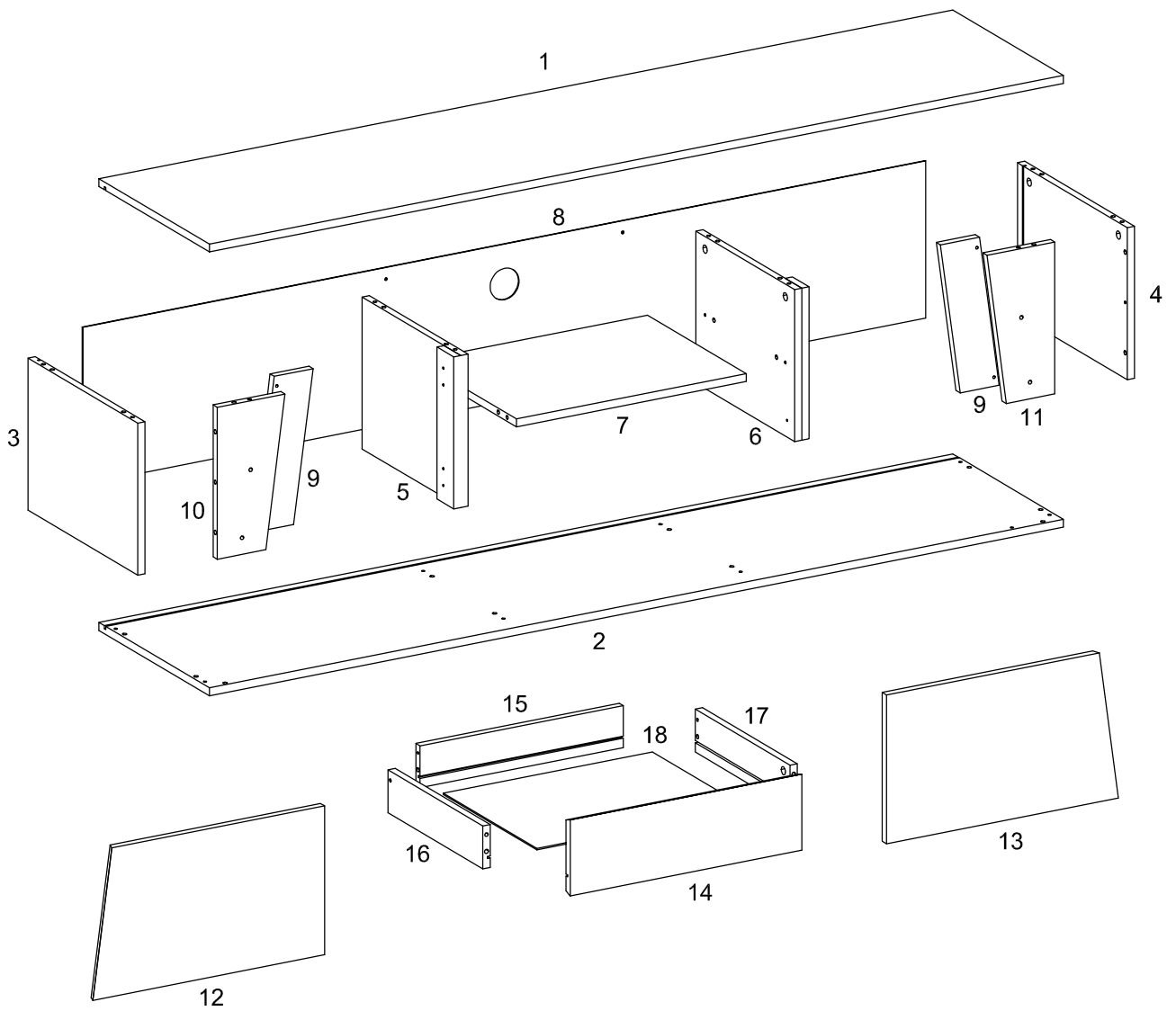
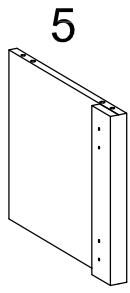


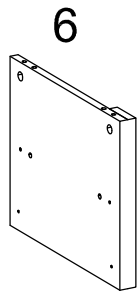
Diagram illustrating safety and assembly instructions for the TV stand:

- Warning 1:** A box with a diagonal slash and a warning triangle containing an exclamation mark. The box contains a drawing of a child climbing on the stand, indicating that the stand is not to be used as a step or climbing device.
- Warning 2:** A box with a diagonal slash and a warning triangle containing an exclamation mark. The box contains icons for a hammer, a screwdriver, and a power drill, indicating that tools are required for assembly.
- Warning 3:** A box with a diagonal slash and a warning triangle containing an exclamation mark. The box contains icons for a rectangular block being placed on a textured surface and a similar block with a slash, indicating that the stand should be placed on a soft surface like a rug or mat.
- Time:** A clock icon with the text "90'" below it, indicating that the assembly time is 90 minutes.
- Person:** A stick figure icon with the number "1" below it, indicating that one person is required for assembly.

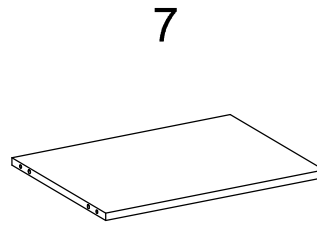




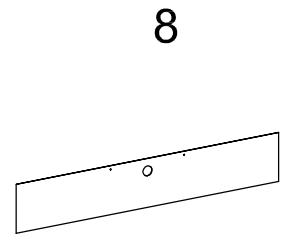
x 1



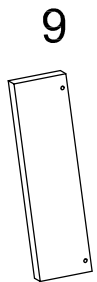
x 1



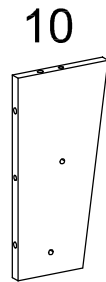
x 1



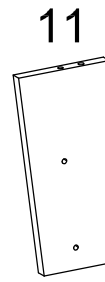
x 1



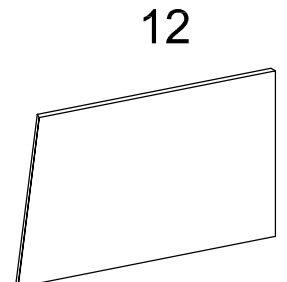
x 2



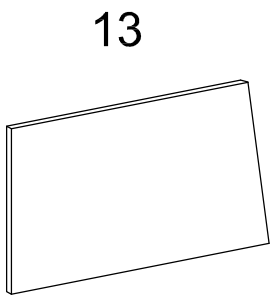
x 1



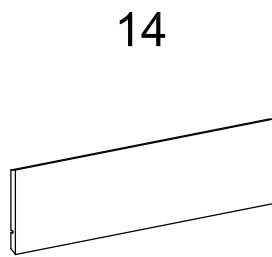
x 1



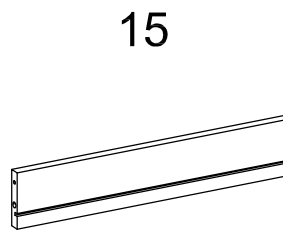
x 1



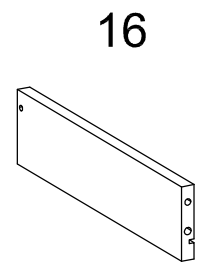
x 1



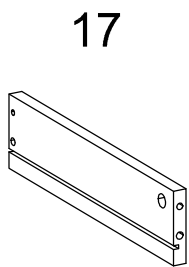
x 1



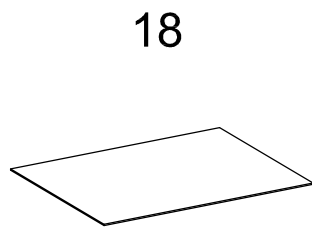
x 1



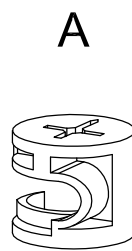
x 1



x 1



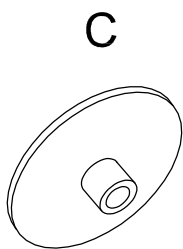
x 1



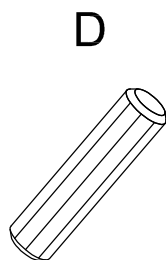
x 18



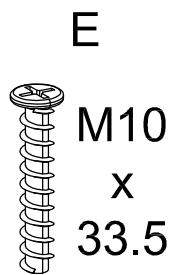
x 18



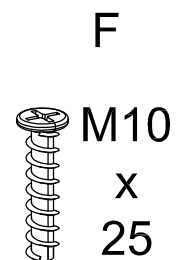
x 18



x 32

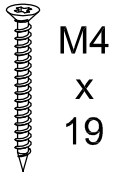


M10
x
33.5
x 12



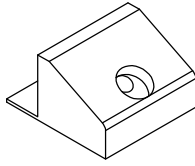
M10
x
25
x 4

G



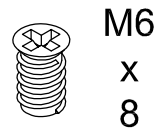
x 12

H



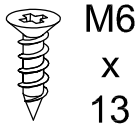
x 12

I



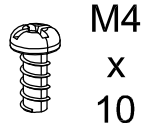
x 4

J



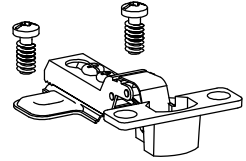
x 4

K



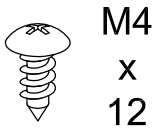
x 26

L



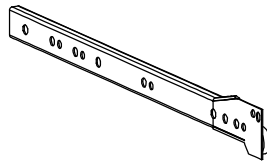
x 4

M



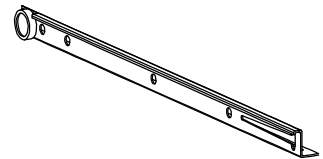
x 2

N1



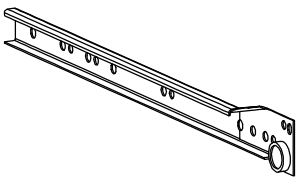
x 1

N2



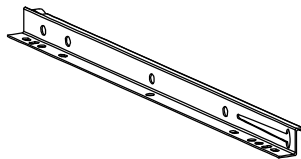
x 1

N3



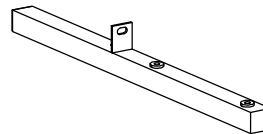
x 1

N4



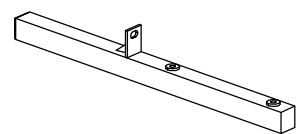
x 1

O1



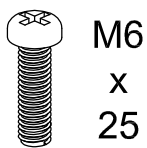
x 1

O2



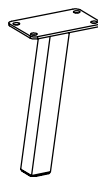
x 1

P



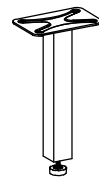
x 4

Q



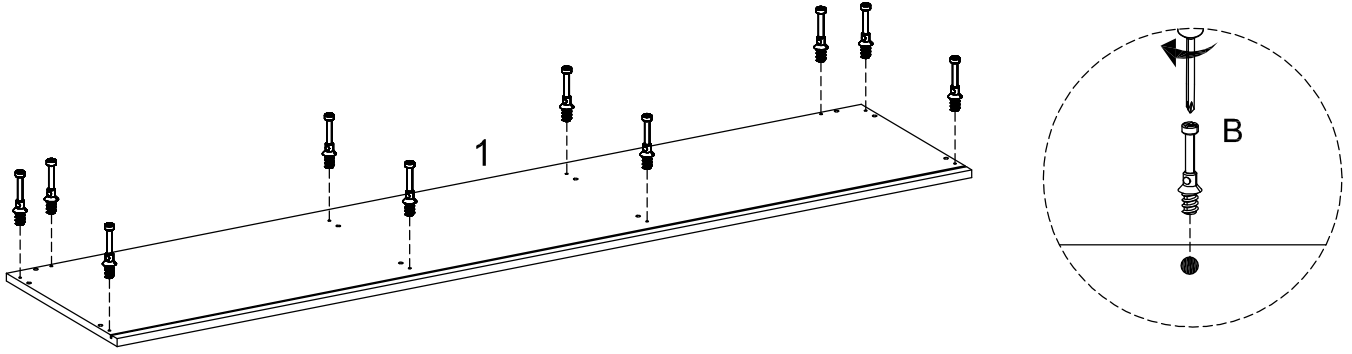
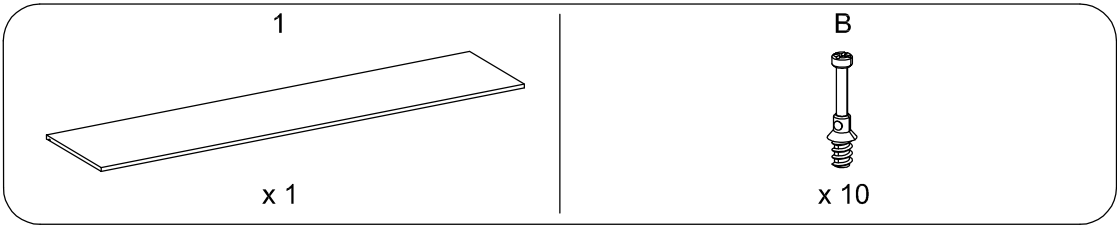
x 2

R

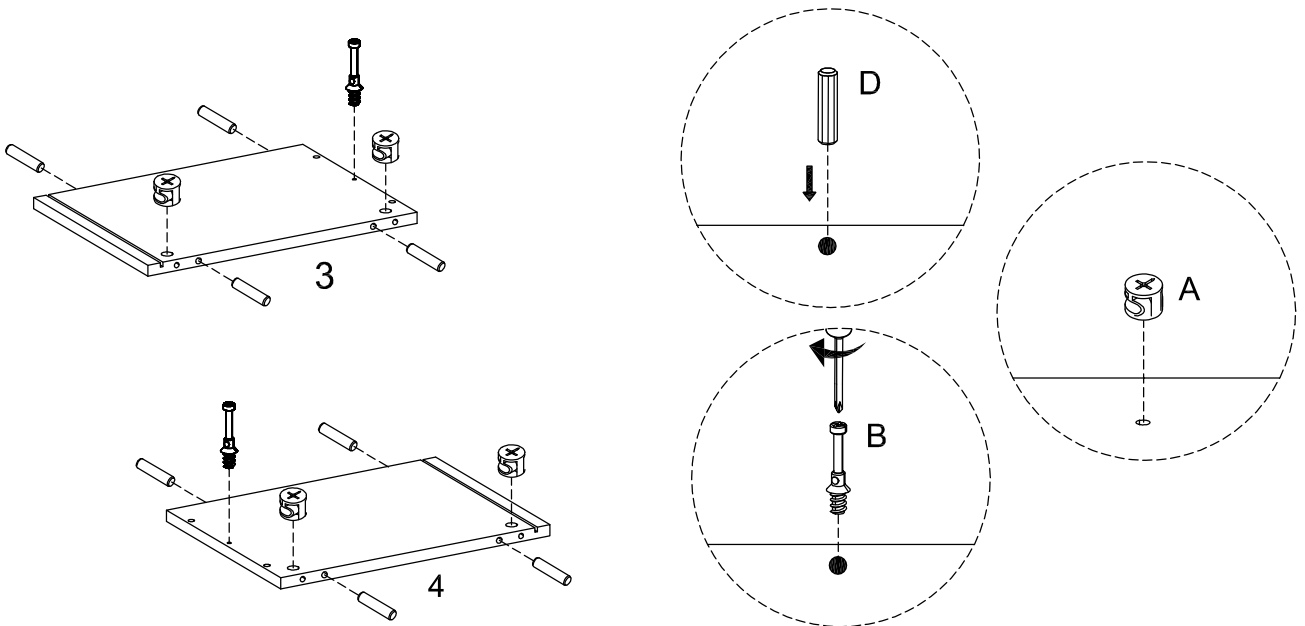
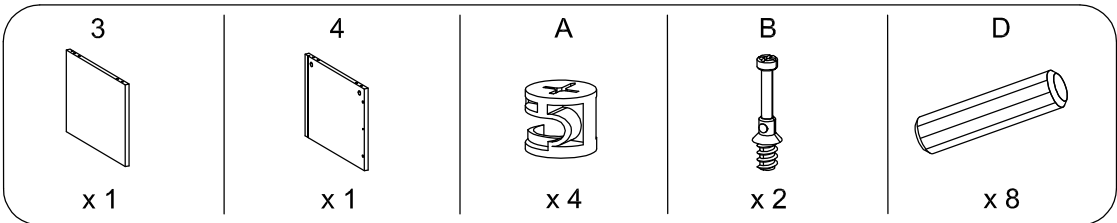


x 2

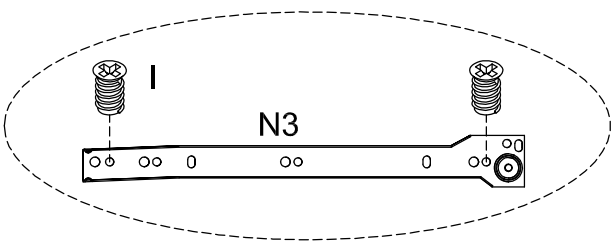
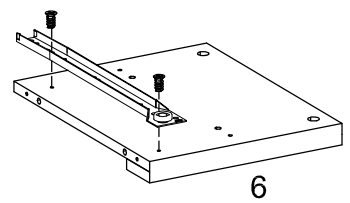
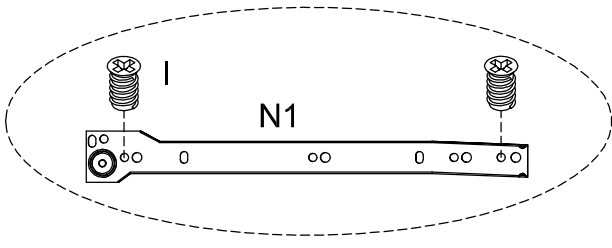
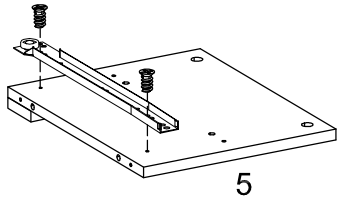
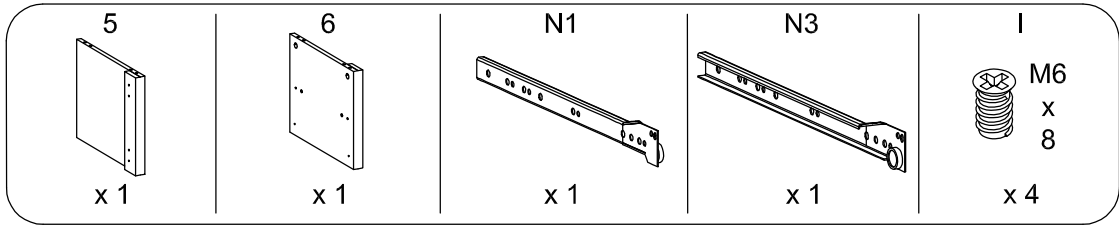
1



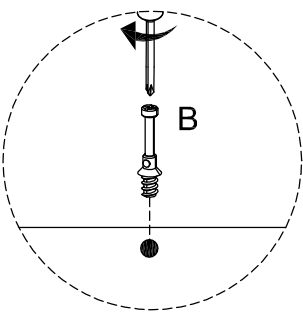
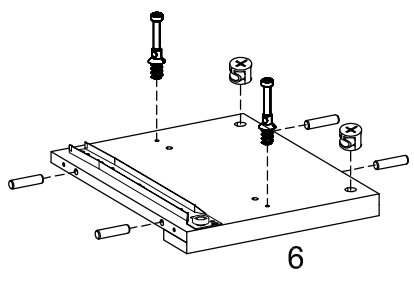
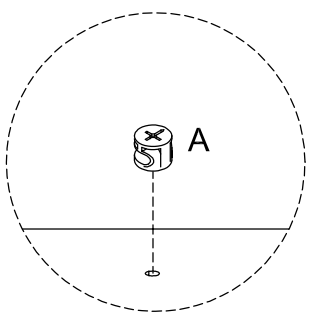
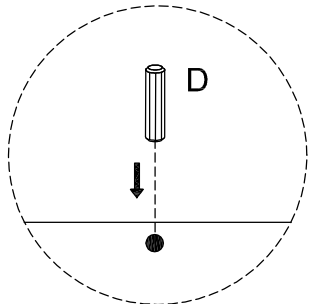
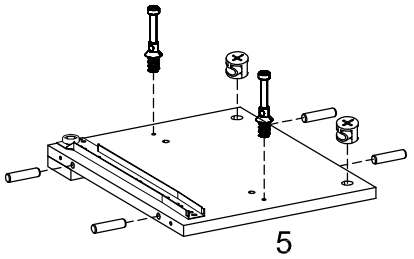
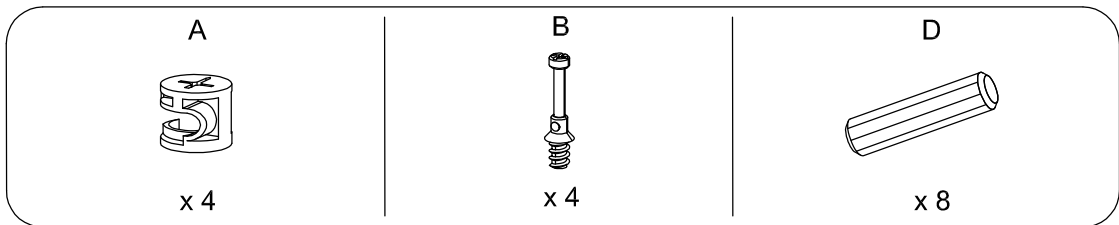
2



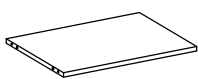



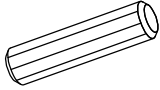
3

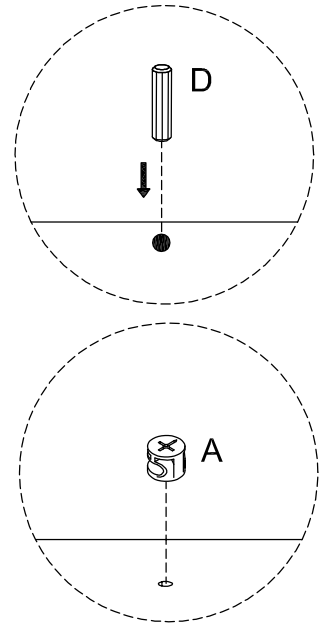
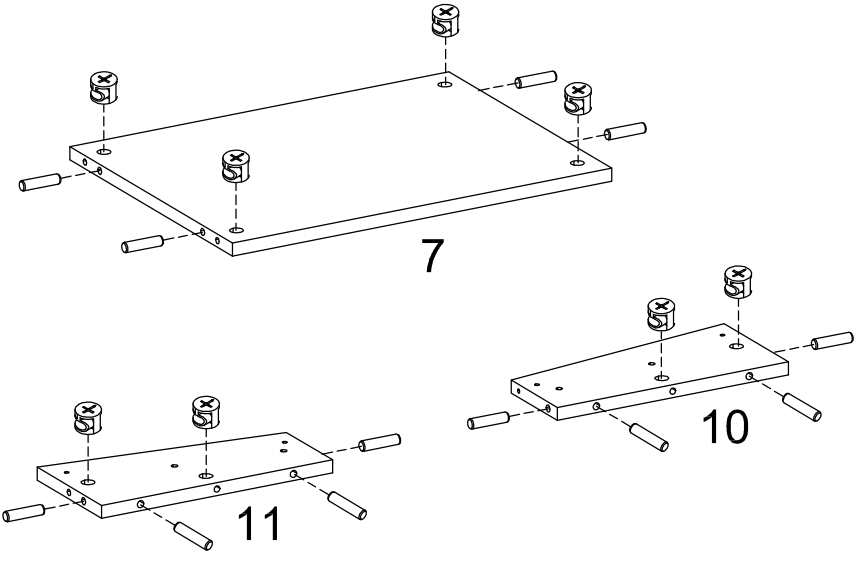


4




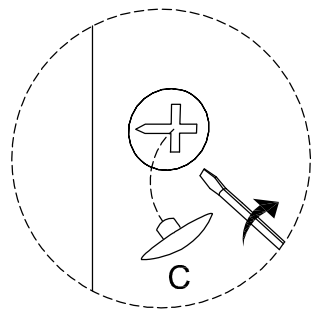
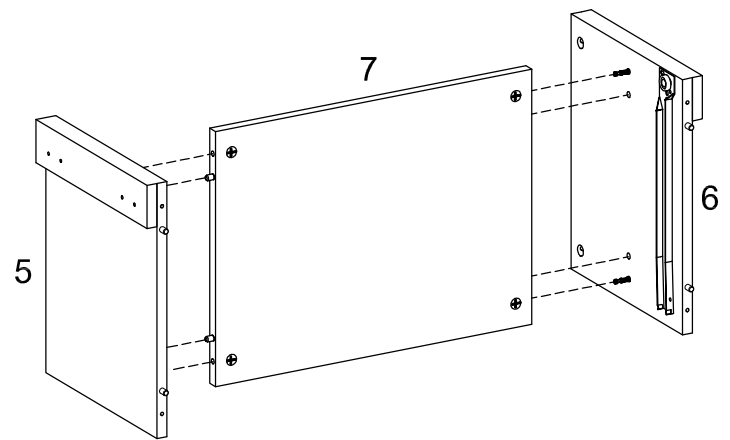
5

| | | | | |
|---|--|--|---|--|
| 7  x 1 | 10  x 1 | 11  x 1 | A  x 8 | D  x 12 |
|---|--|--|---|--|

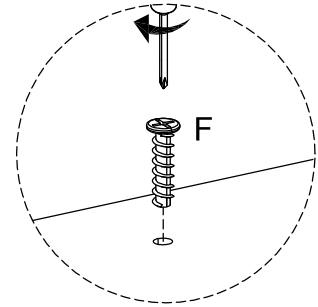
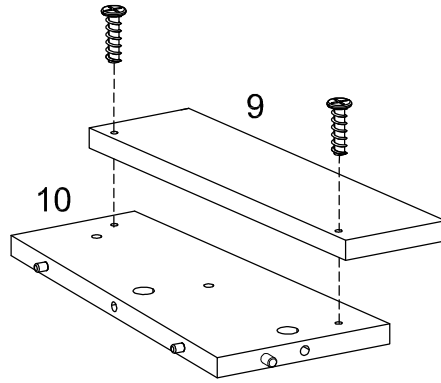
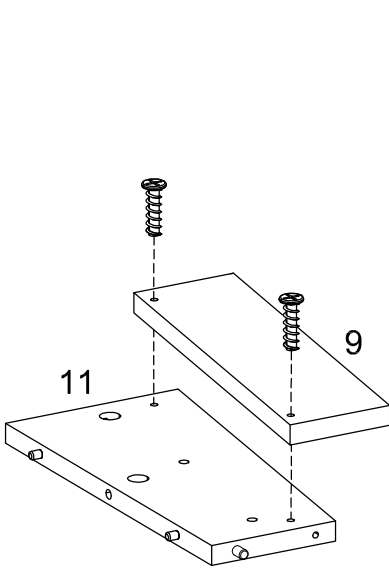
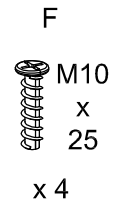


6

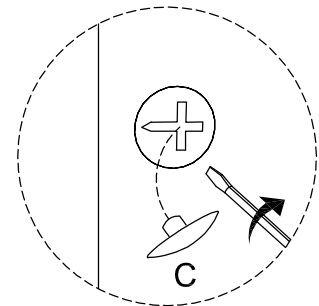
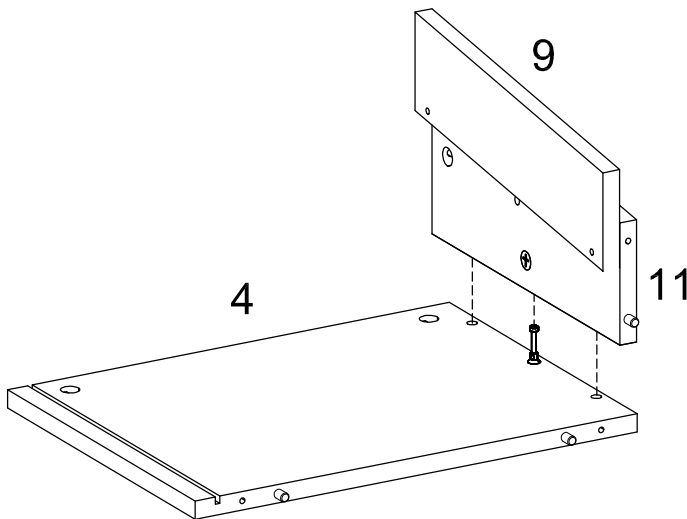
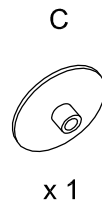
| |
|---|
| C  x 4 |
|---|



7

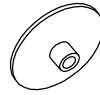


8

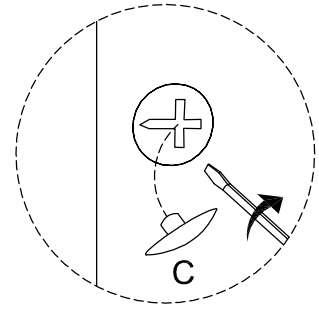
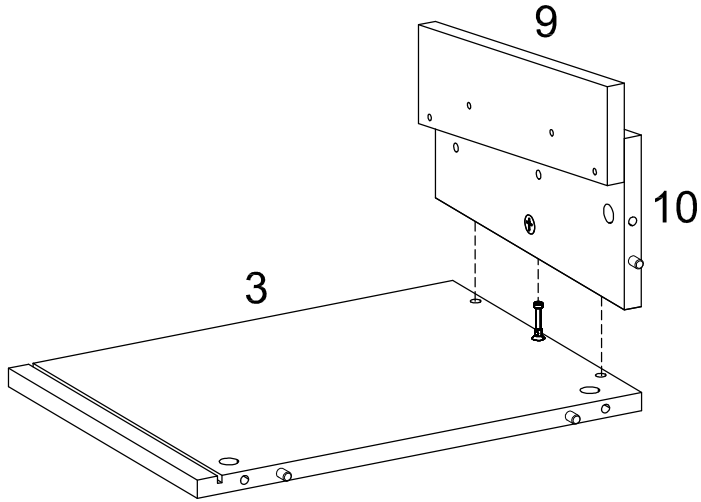


9

C

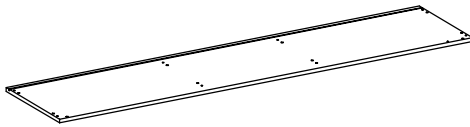


x 1



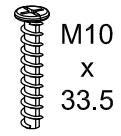
10

2

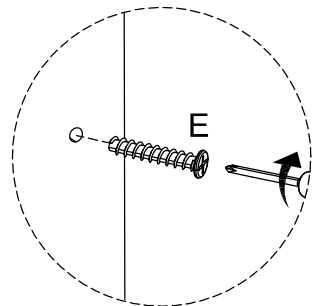
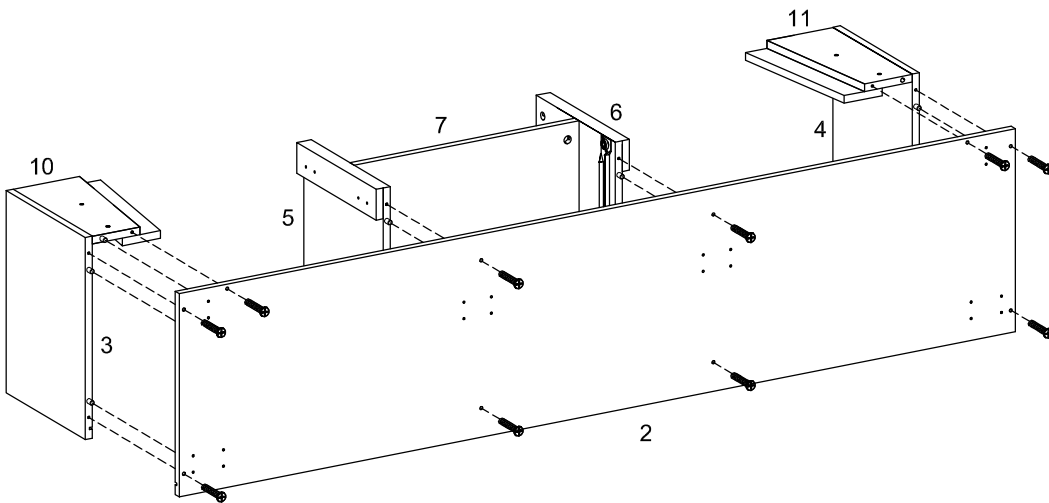


x 1

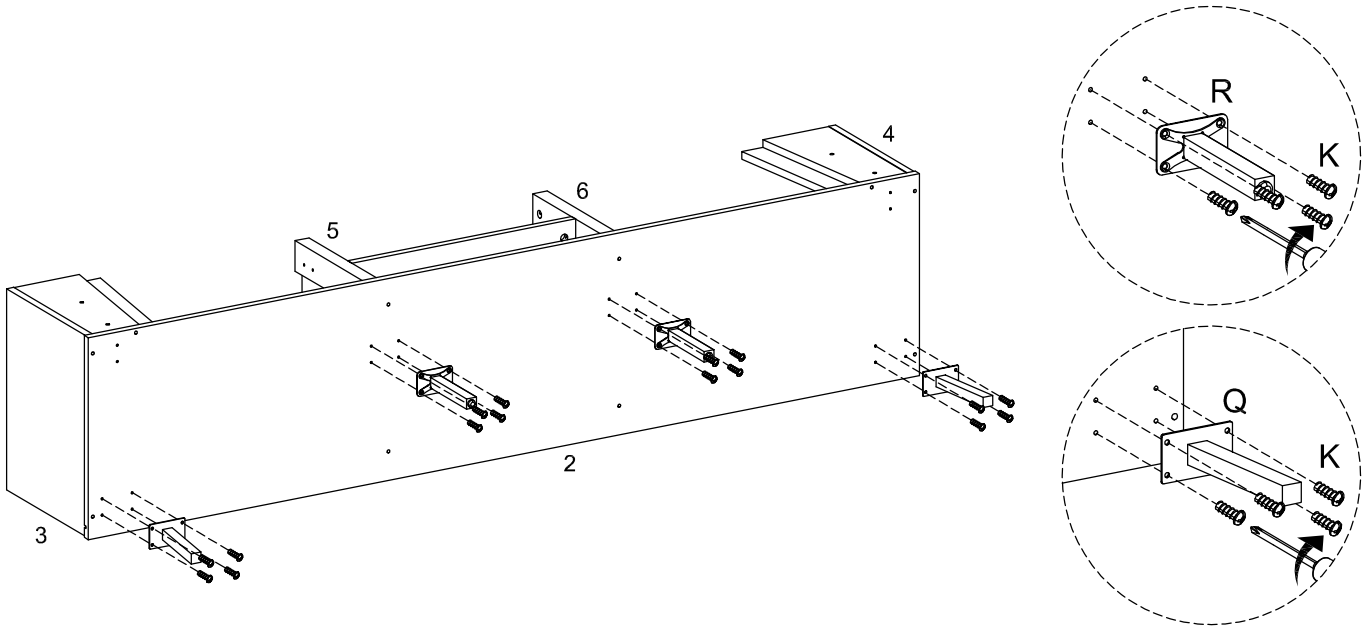
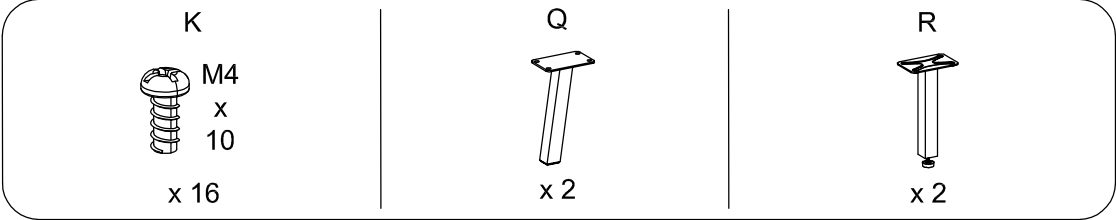
E



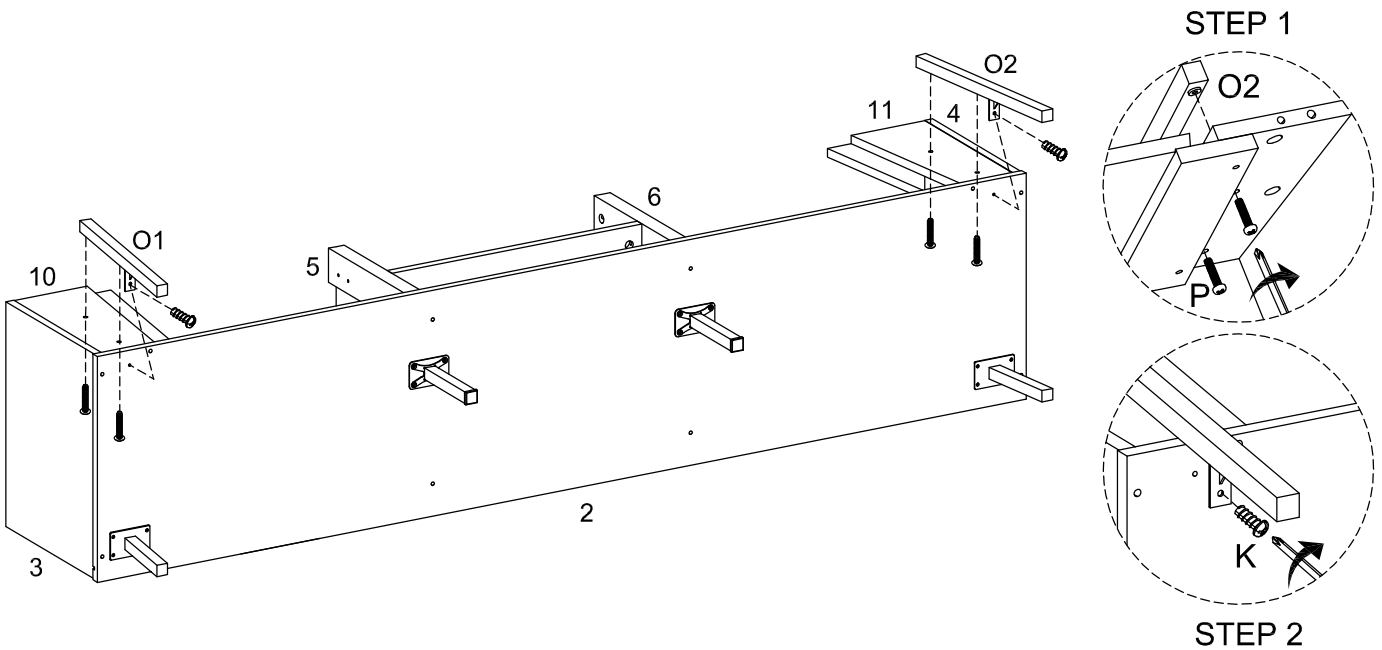
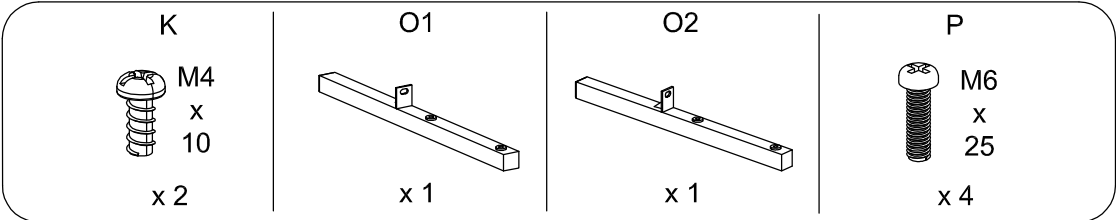
M10
x
33.5
x 10



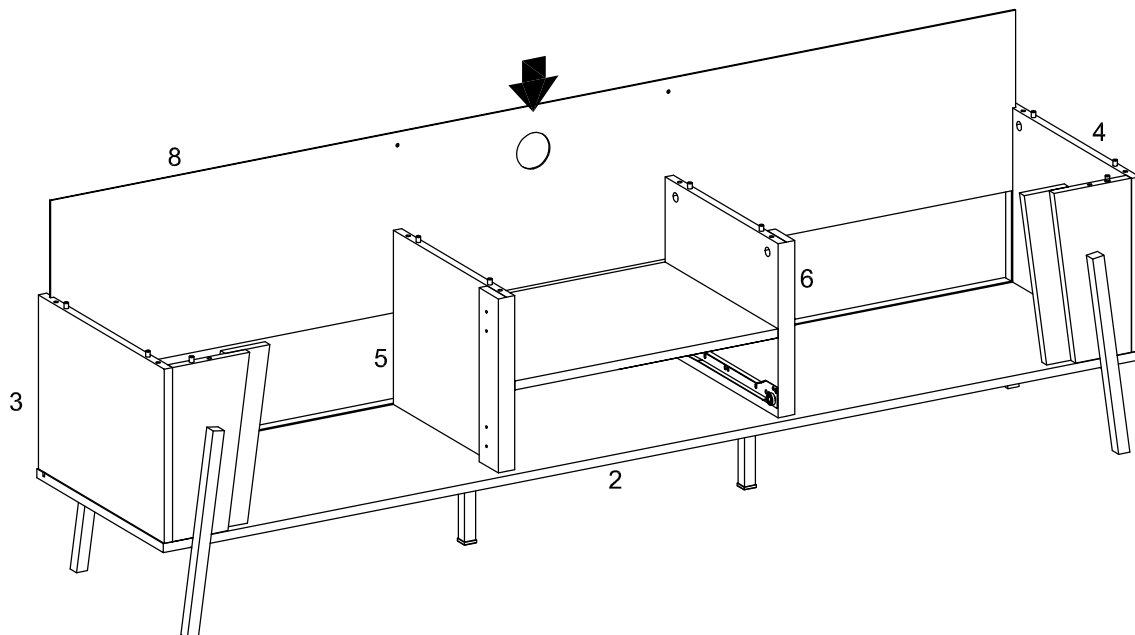
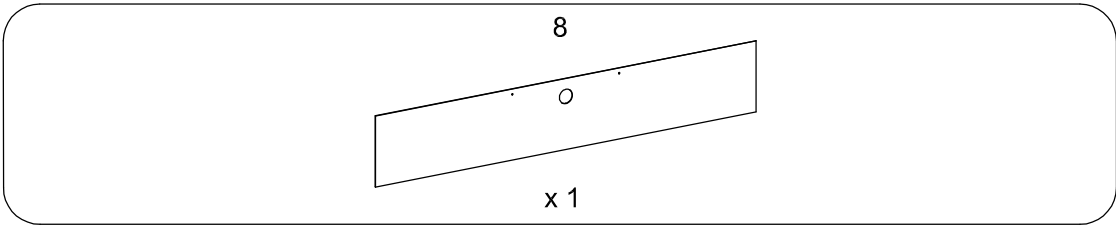
11



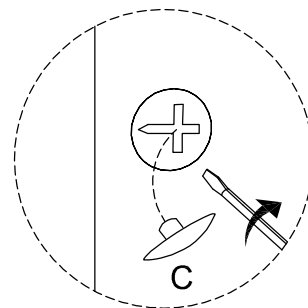
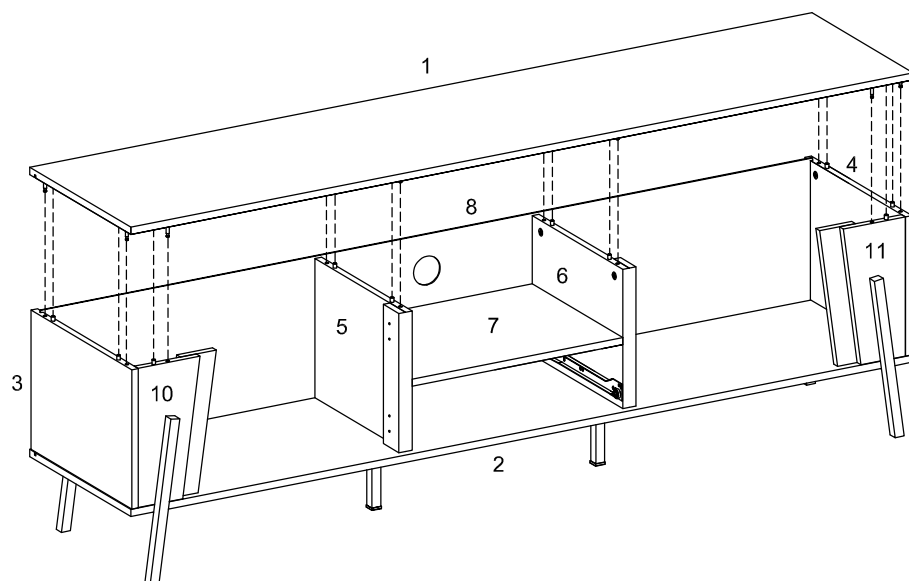
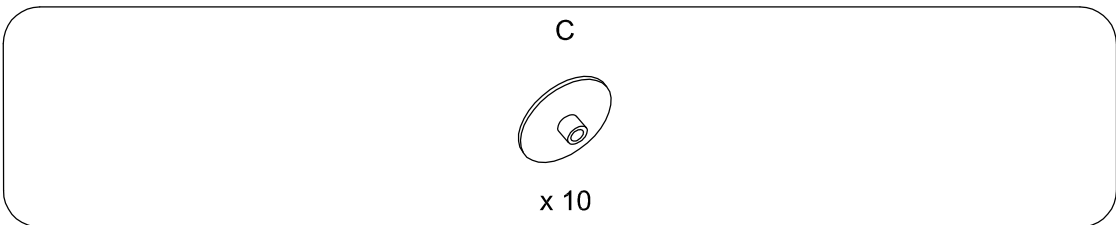
12



13



14

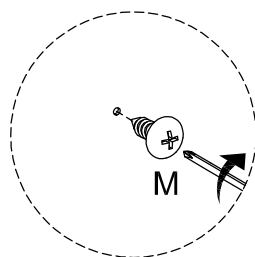
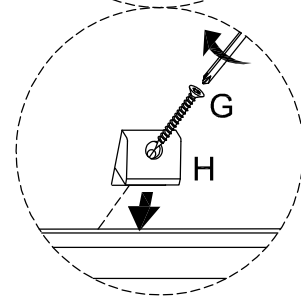
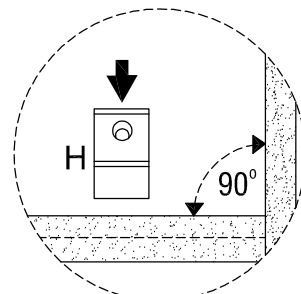
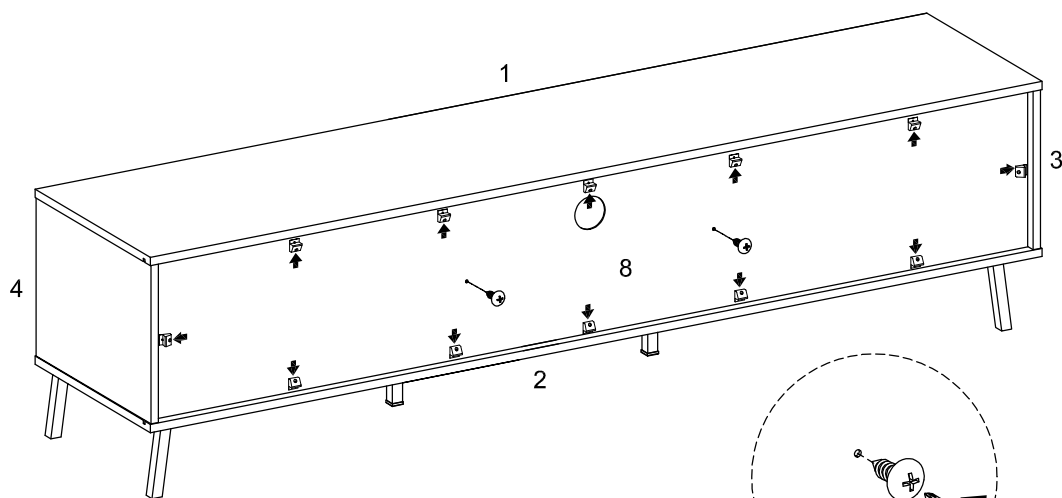


15

G
M4
x
19
x 12

H
x 12

M
M4
x
12
x 2



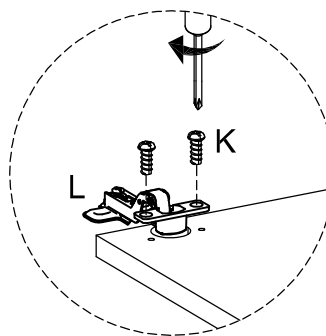
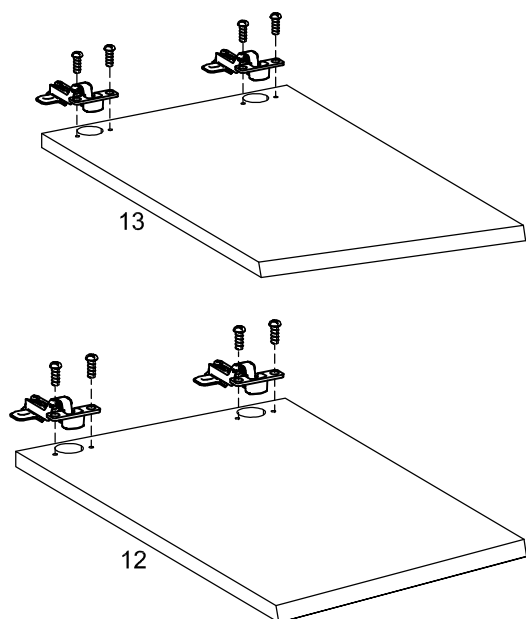
16

12
x 1

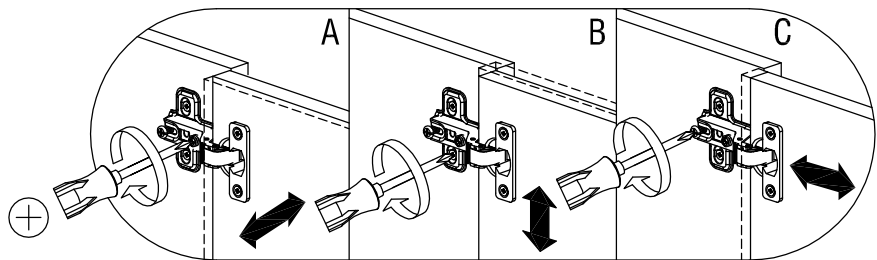
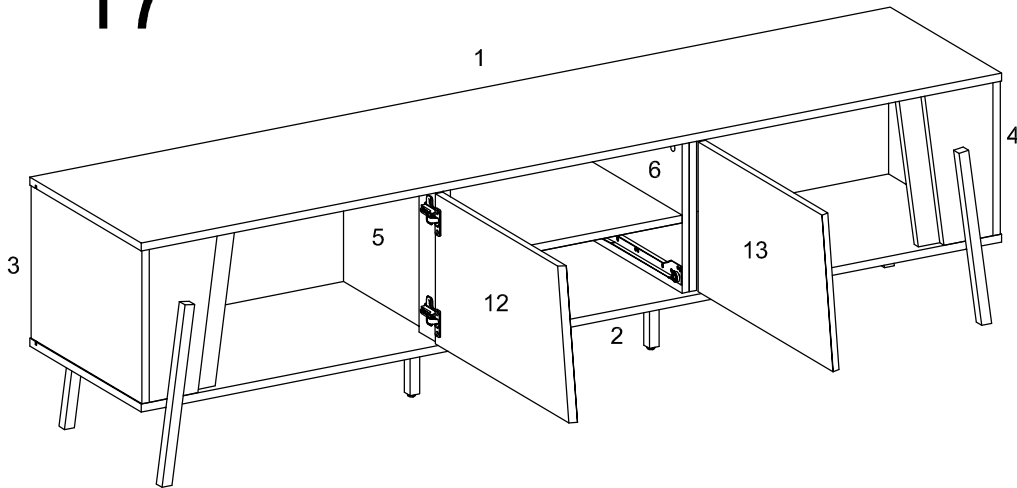
13
x 1

K
M4
x
10
x 8

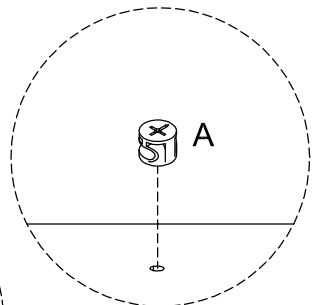
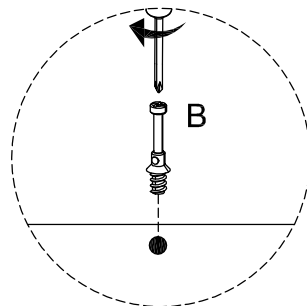
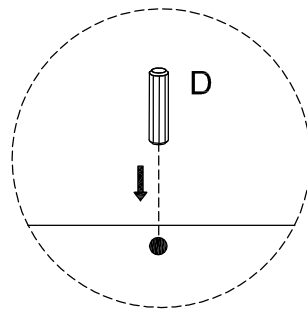
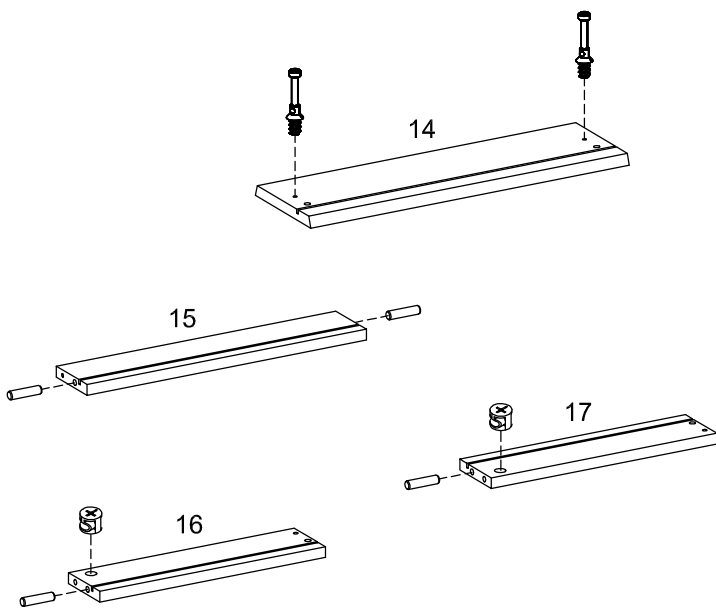
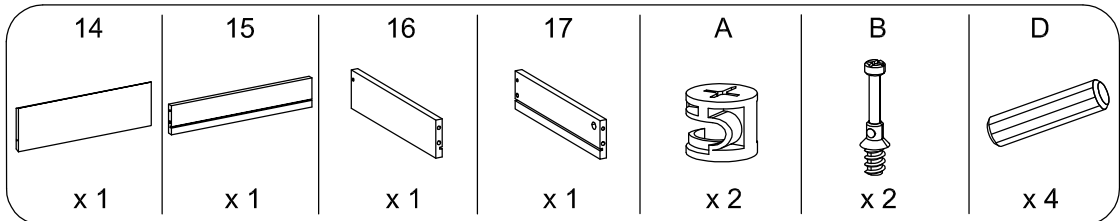
L
x 4



17

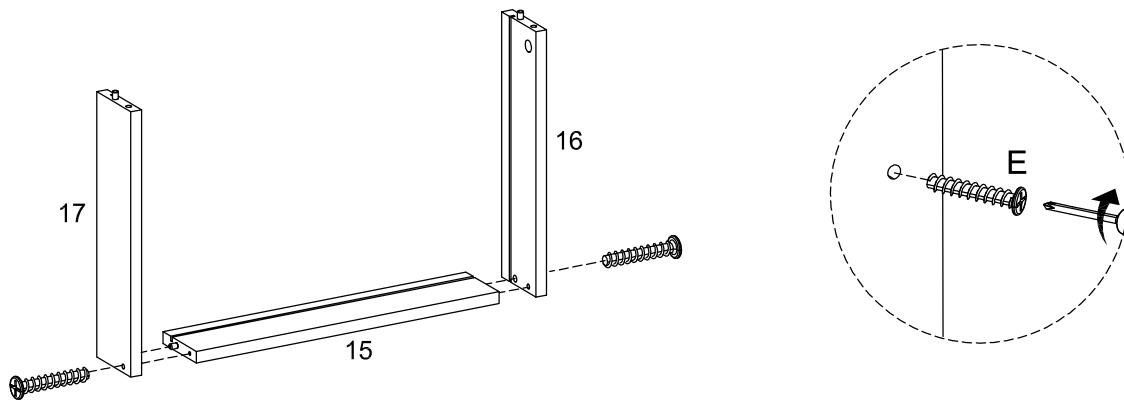


18



19

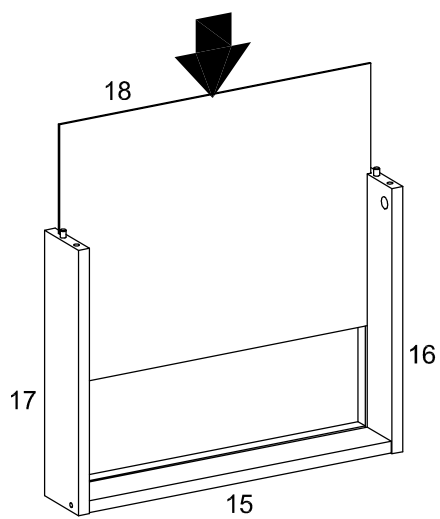
E
M10
x
33.5
x 2



20

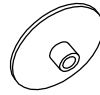
18

x 1

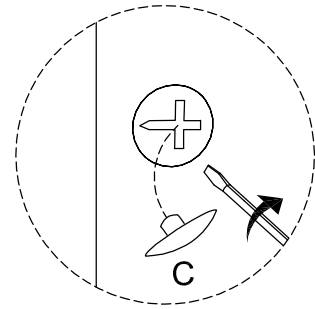
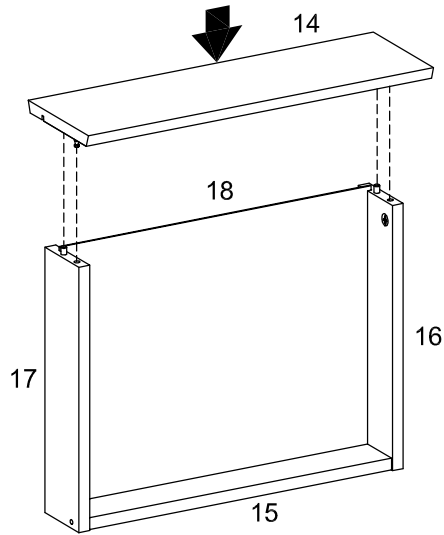


21

C



x 2



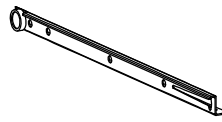
22

J



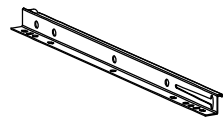
x 4

N2

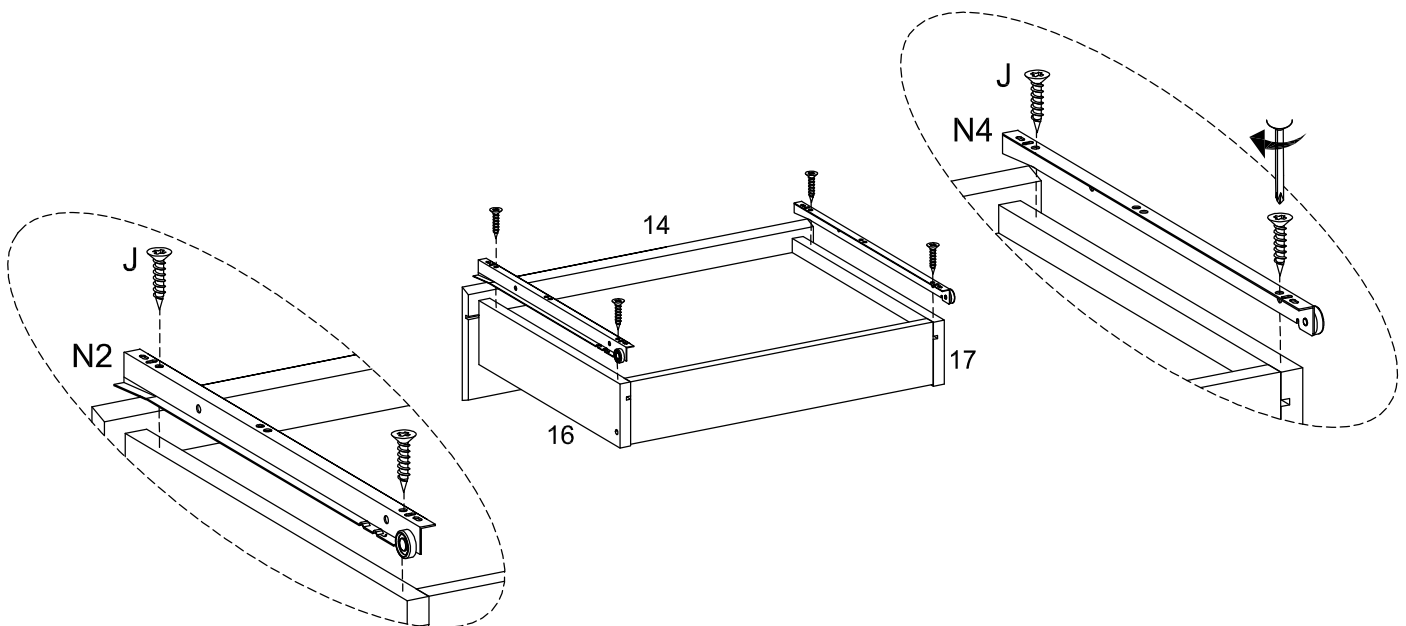


x 1

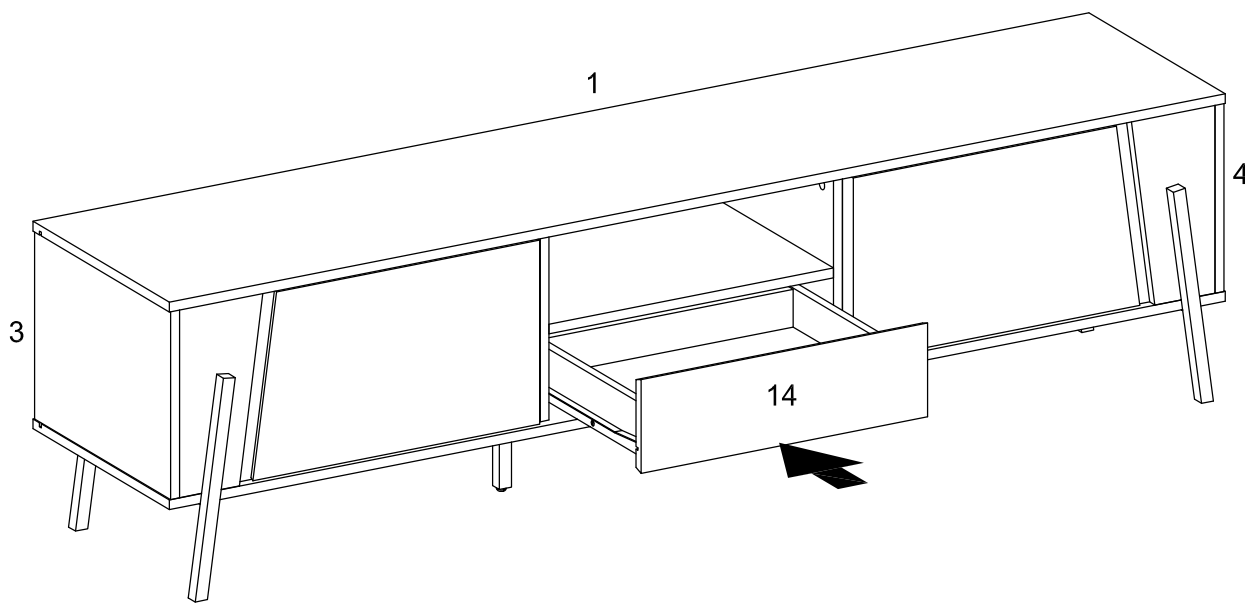
N4



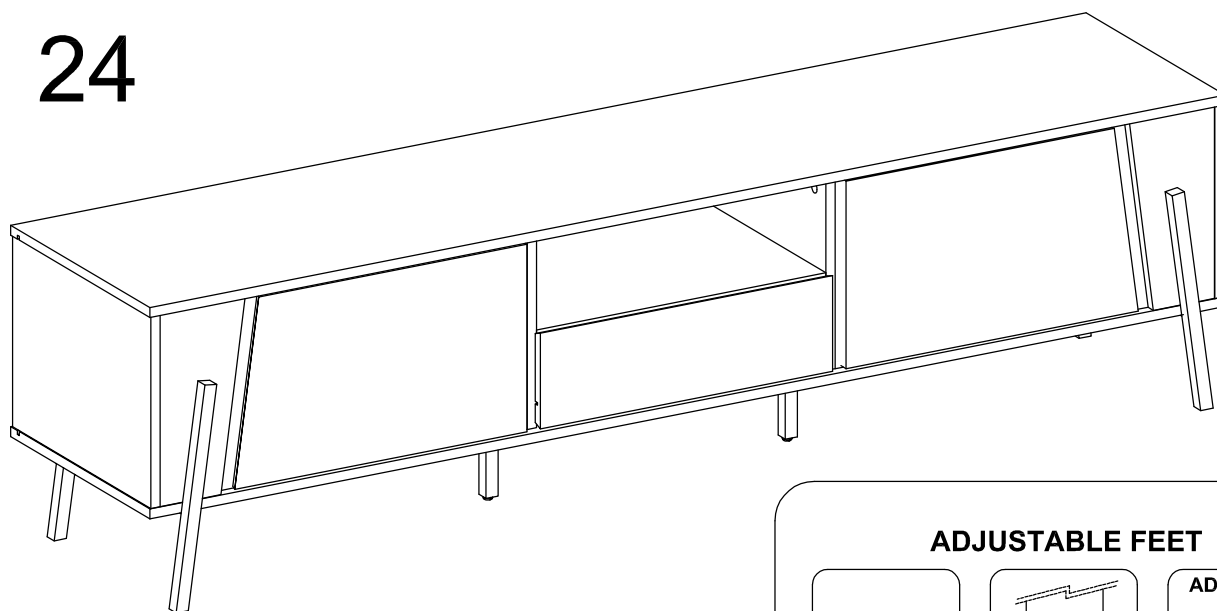
x 1



23



24



ADJUSTABLE FEET

