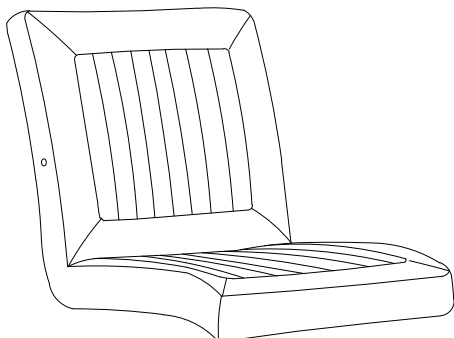
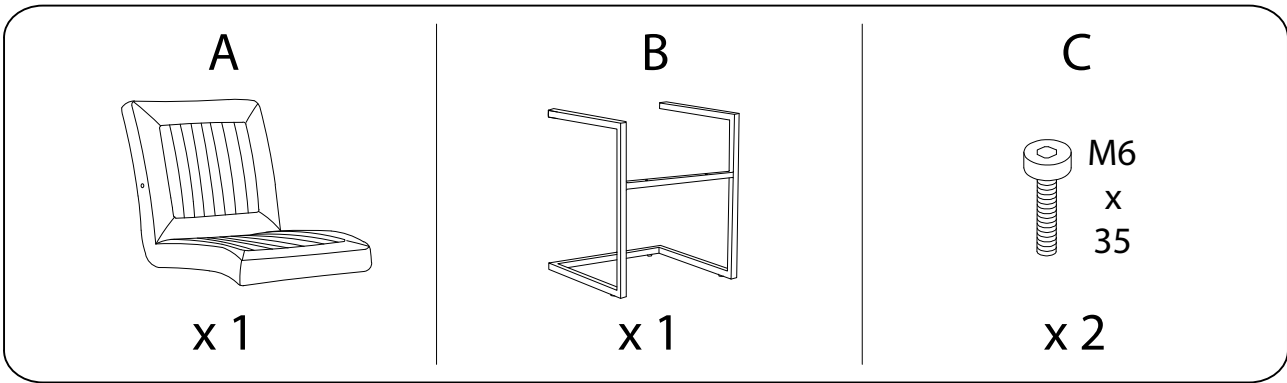
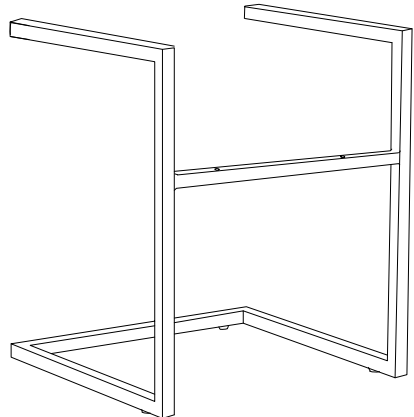


Diagram illustrating assembly instructions and safety warnings:

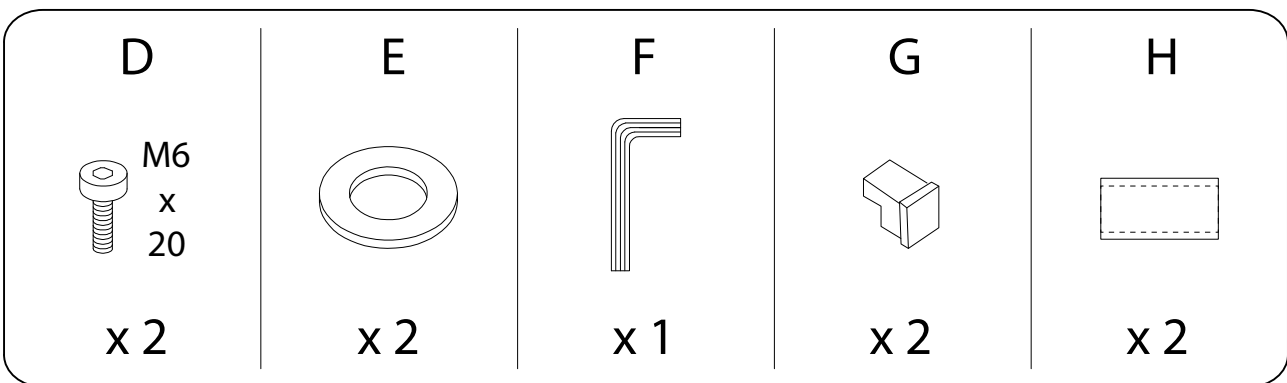
- Warning 1:** A triangle with an exclamation mark points to a box containing an L-shaped metal bracket and a crossed-out power drill, indicating that a power drill should not be used for this step.
- Warning 2:** A triangle with an exclamation mark points to a box containing a rectangular block being placed on a textured surface and a crossed-out block being placed on a smooth surface, indicating that the block should be placed on a textured surface.
- Time:** A clock icon is followed by the text "15'", indicating a 15-minute assembly time.
- Person:** An icon of a person is followed by the number "1", indicating that one person is required for assembly.



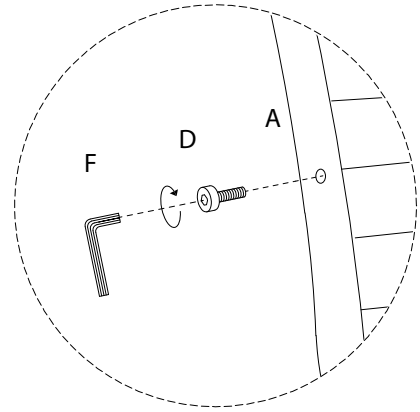
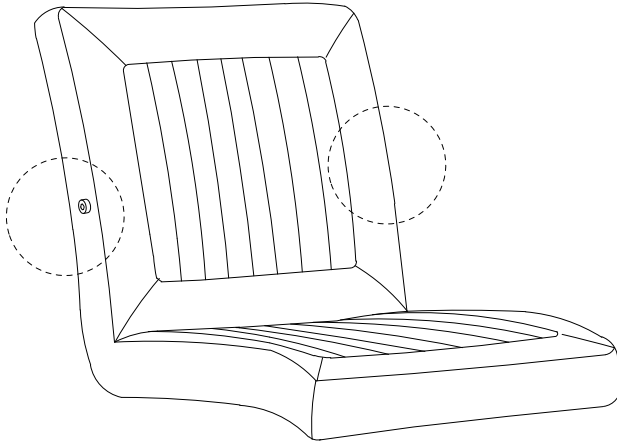
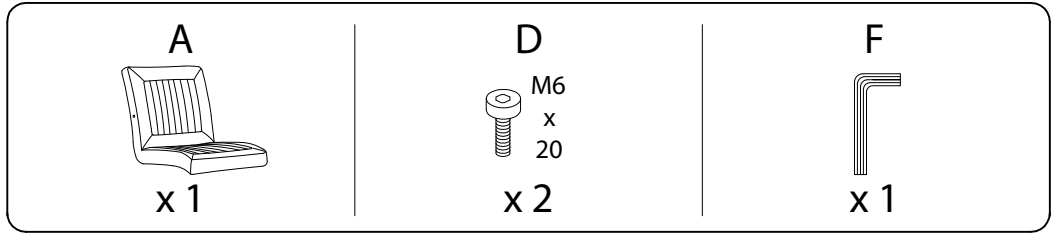
A



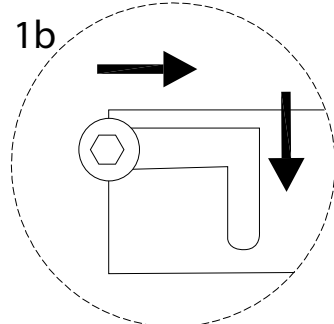
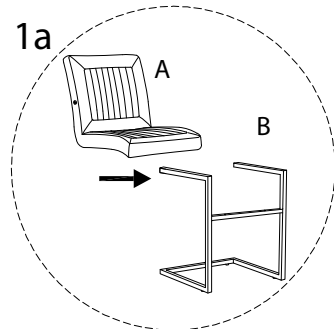
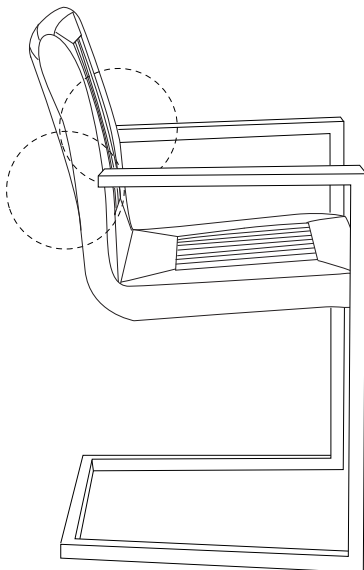
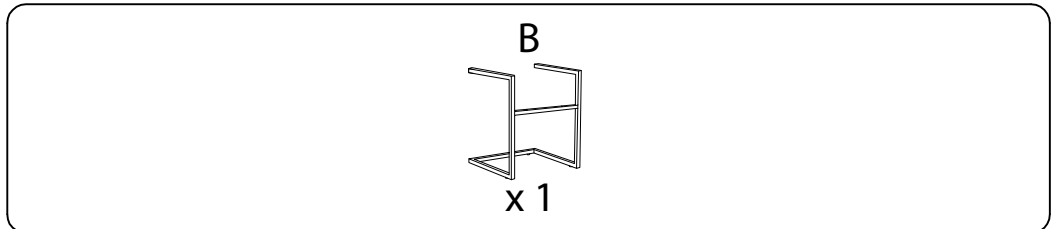
B



1



2

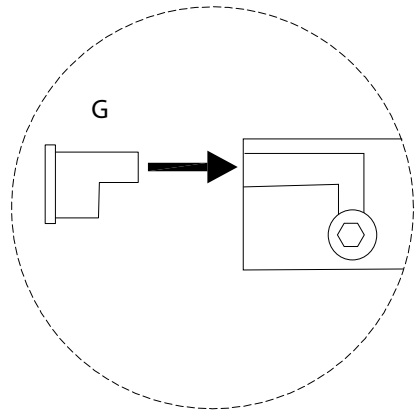
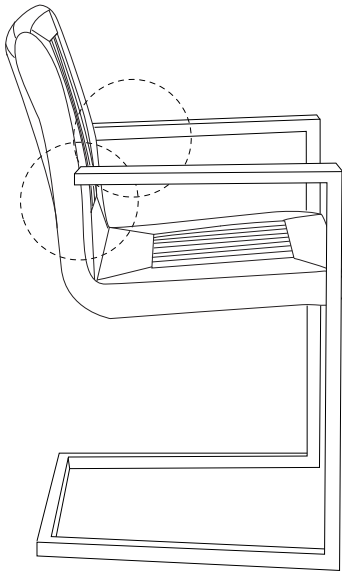


3

G



x 2



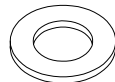
4

C



x 2

E

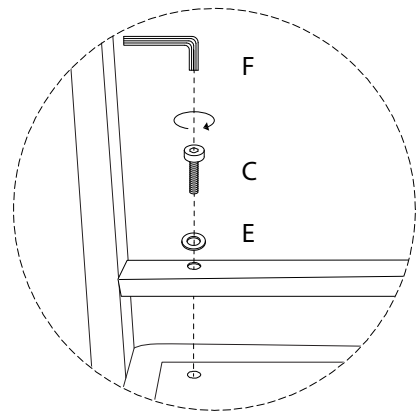
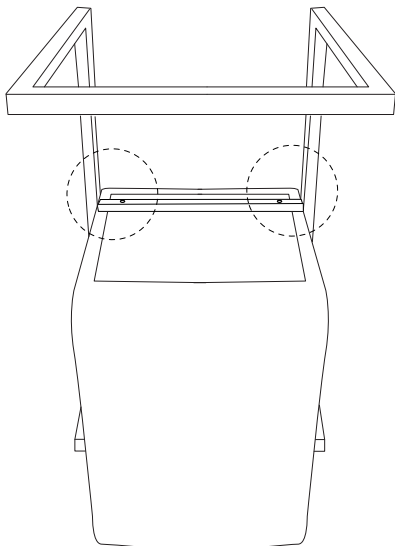


x 2

F



x 1



5

H



x2

