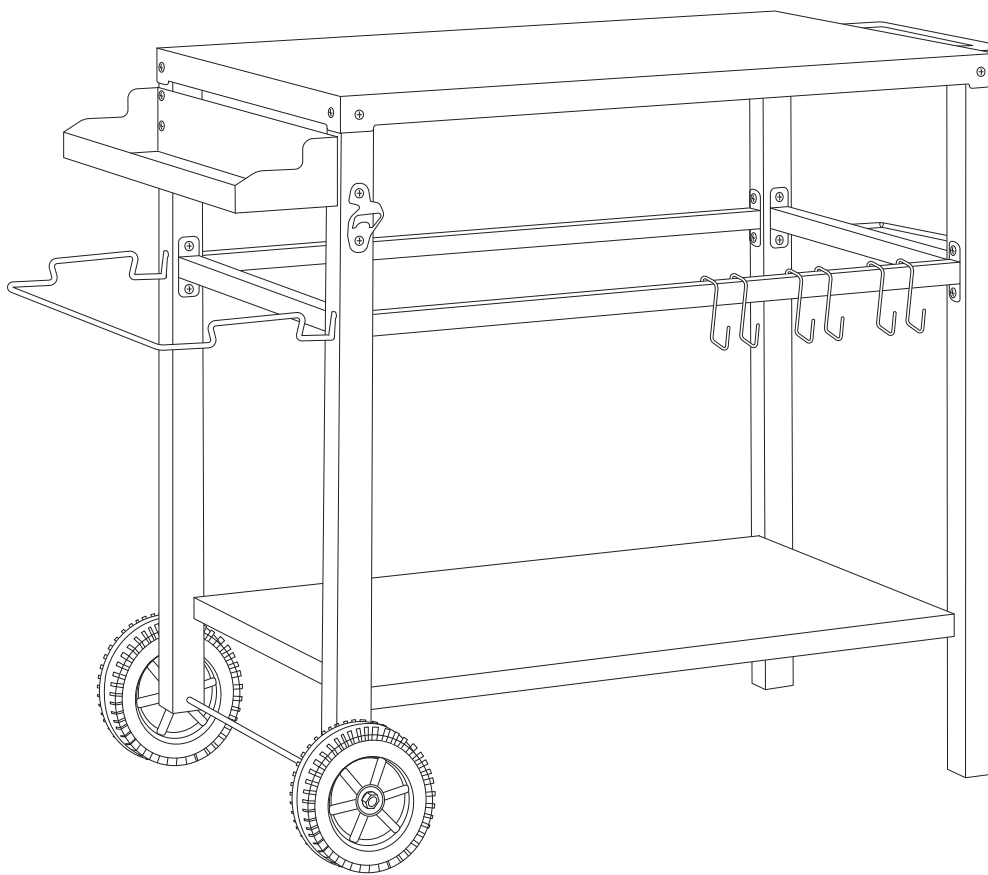
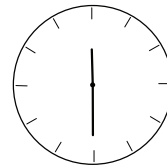
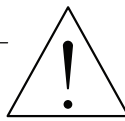
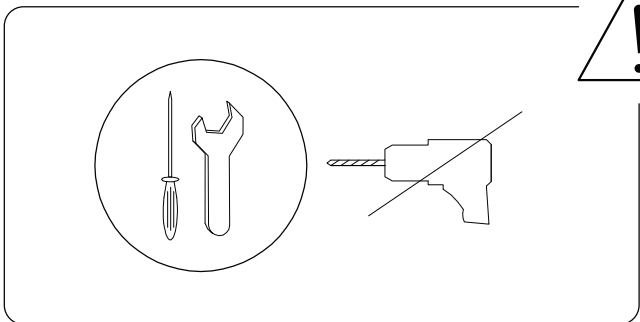
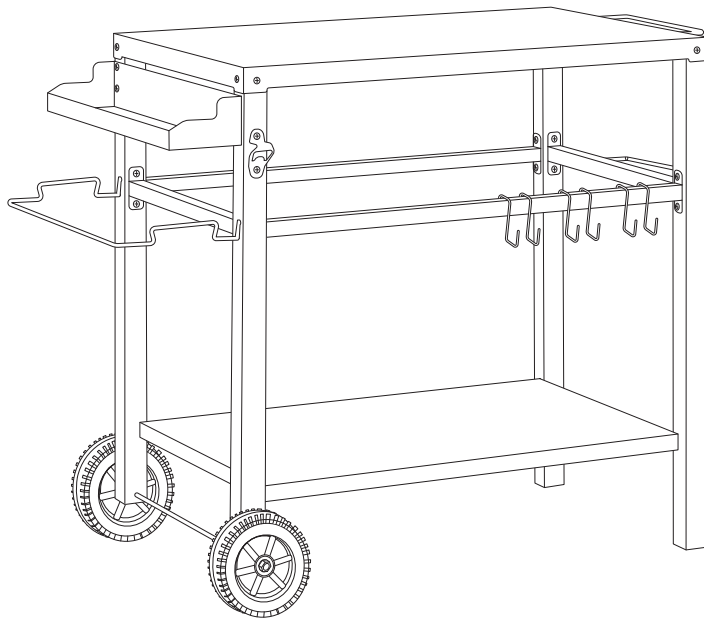
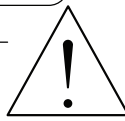
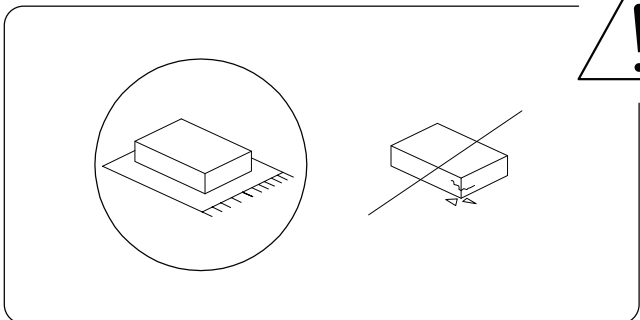


STALETTI

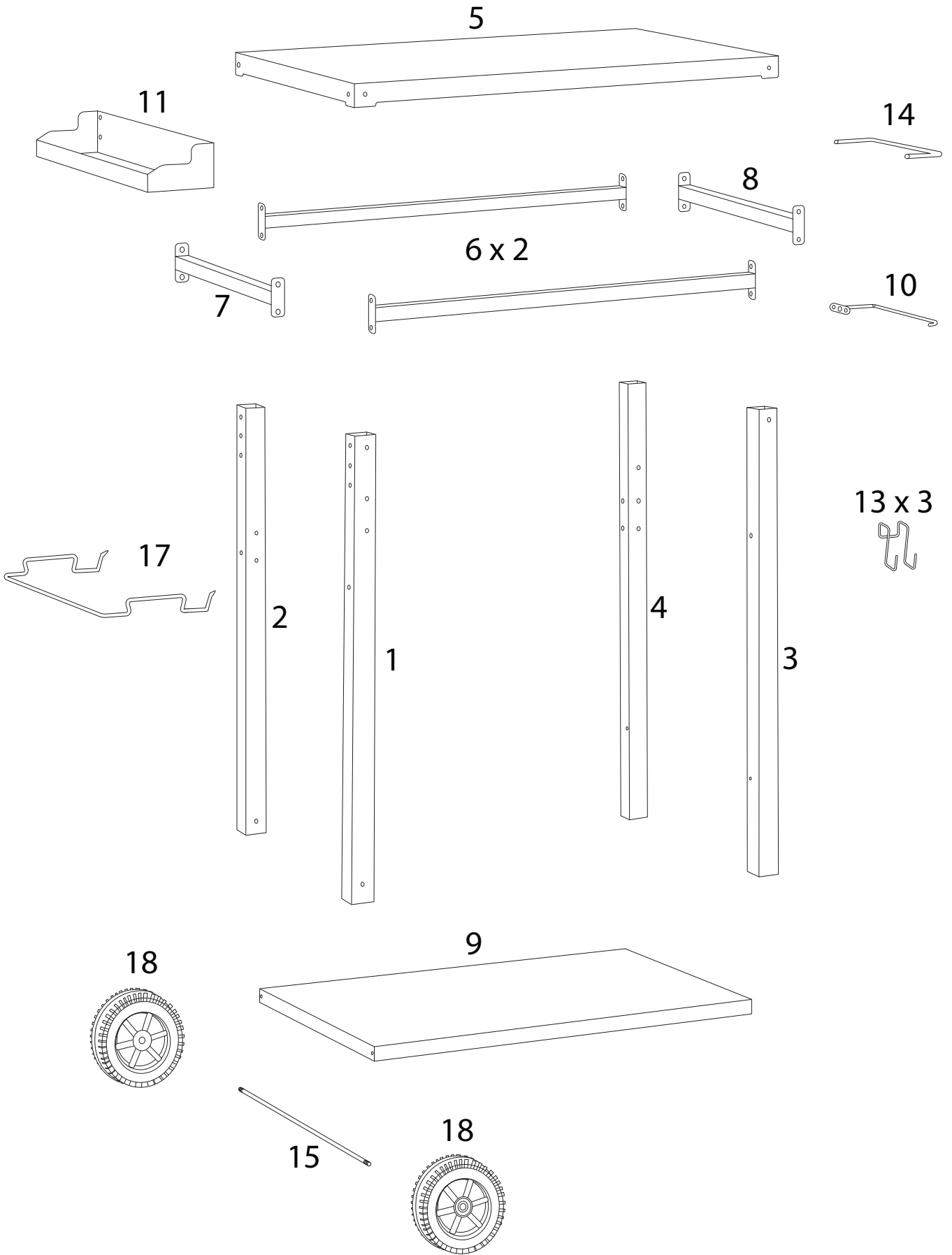




30'



2



1



x 1

2



x 1

3



x 1

4



x 1

5



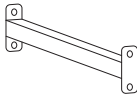
x 1

6



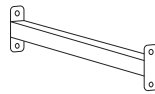
x 2

7



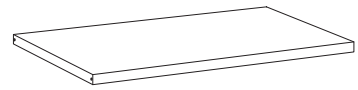
x 1

8



x 1

9



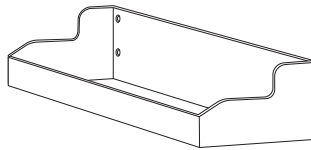
x 1

10



x 1

11



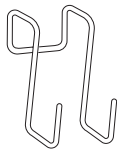
x 1

12



x 1

13



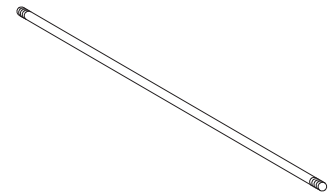
x 3

14



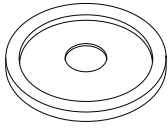
x 1

15



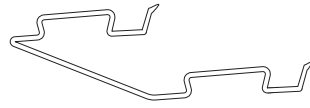
x 1

16



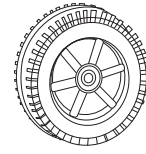
x 2

17



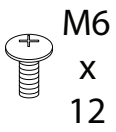
x 1

18



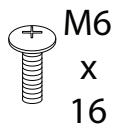
x 2

A



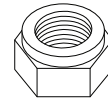
x 36

B



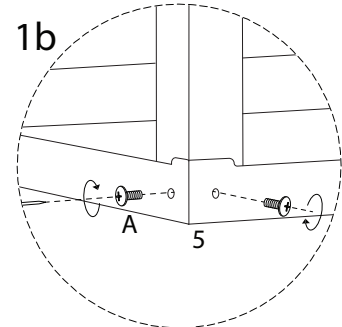
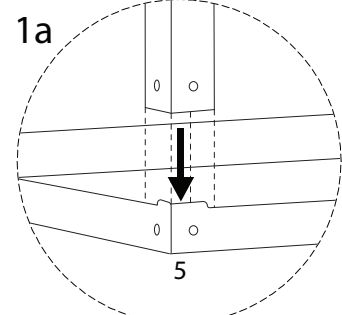
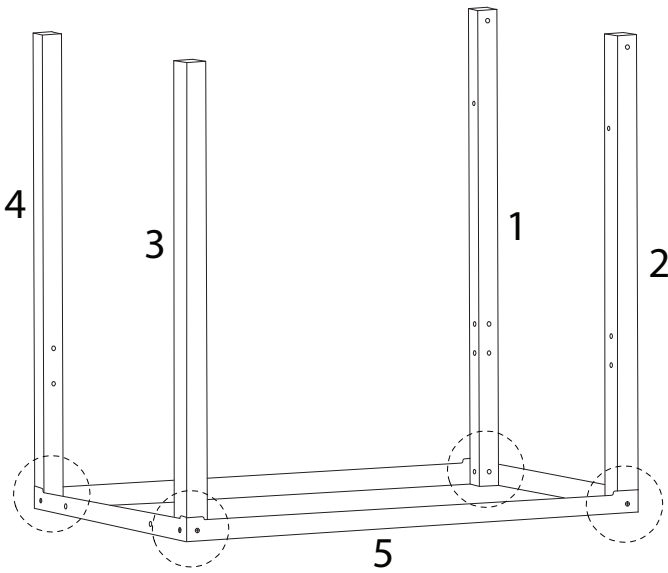
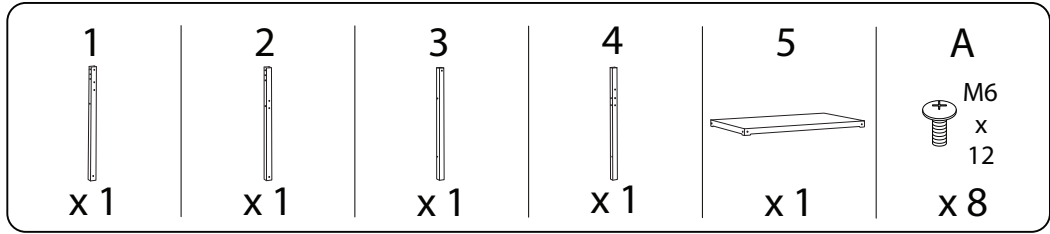
x 2

C

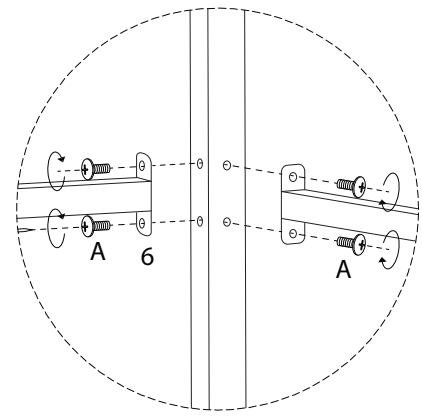
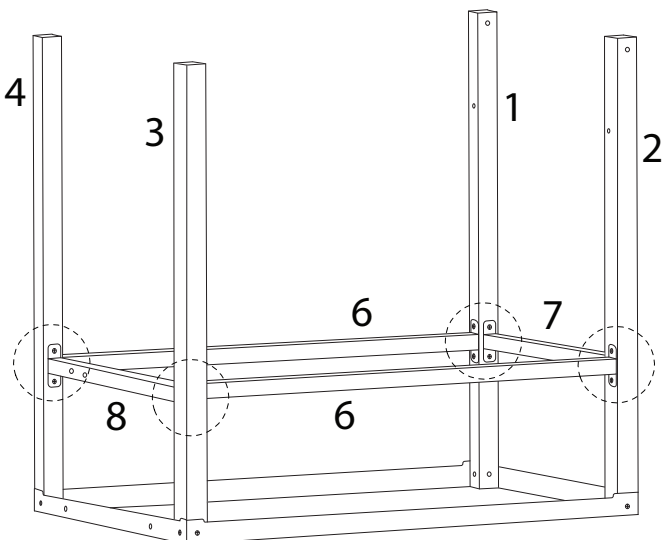
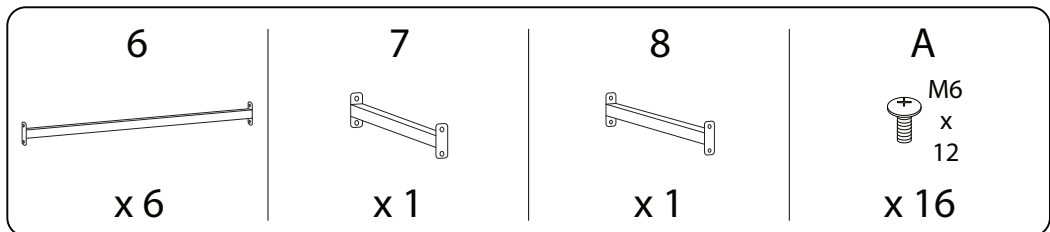


x 2

1

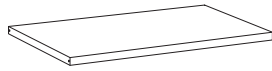


2



3

9

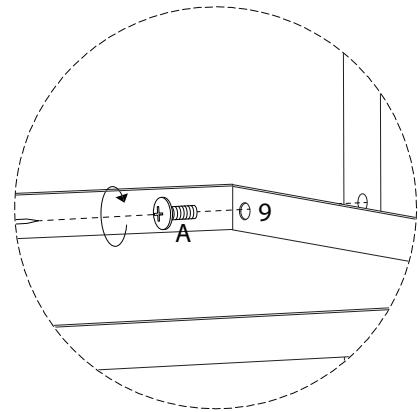
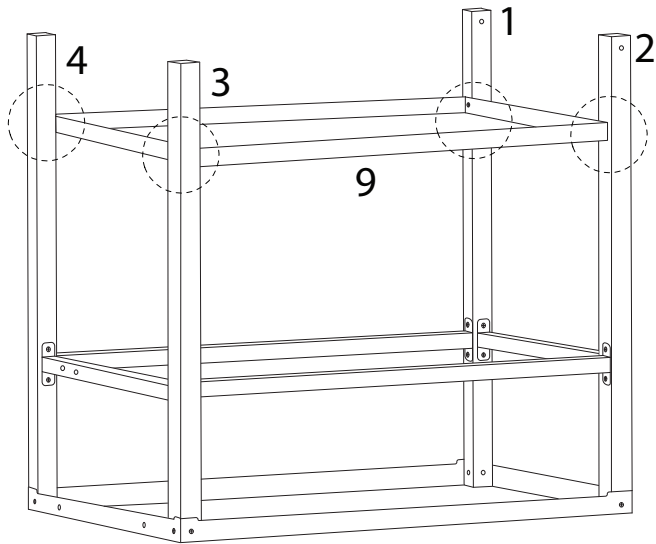


x 1

A

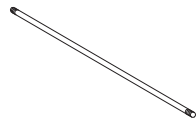


x 4



4

15



x 1

18

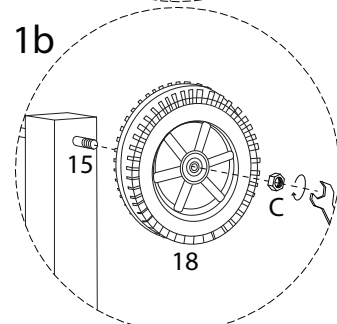
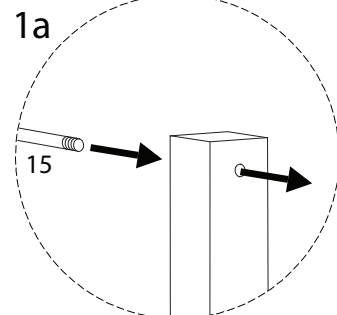
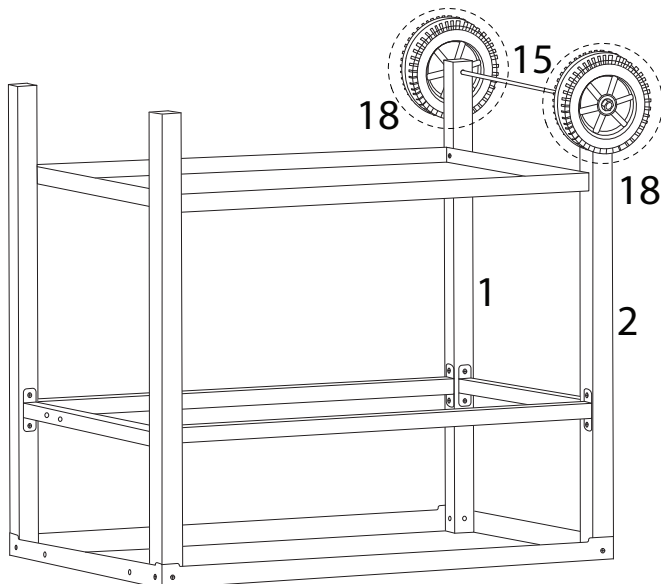


x 2

C



x 2



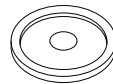
5

14



x 1

16



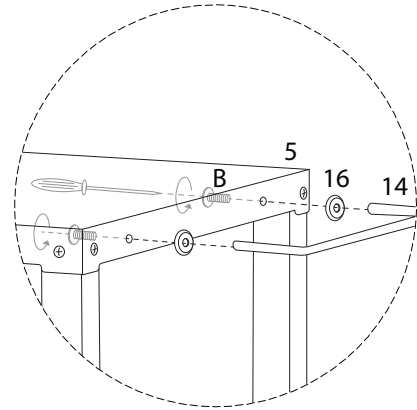
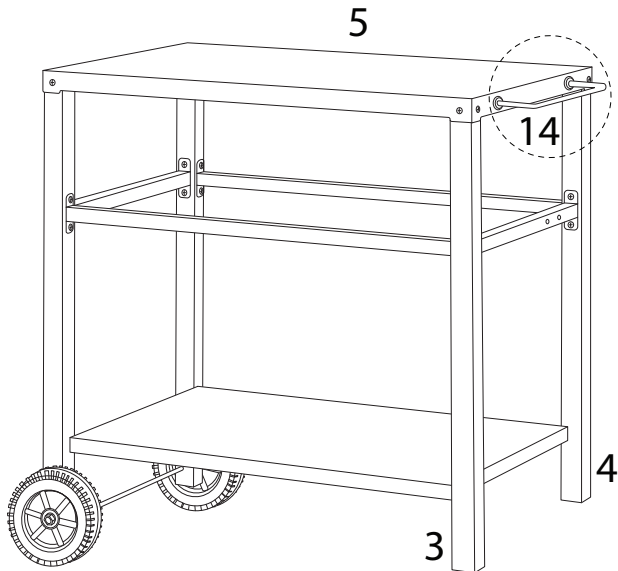
x 2

B



M6
x
16

x 2



6

10



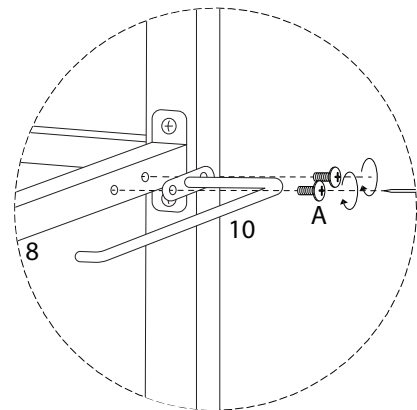
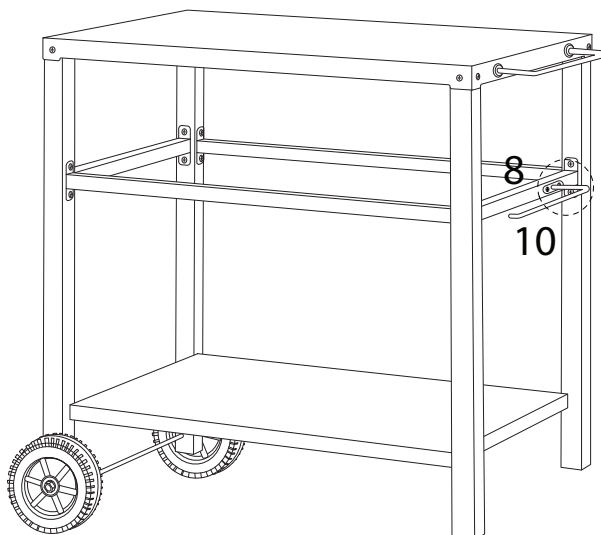
x 1

A

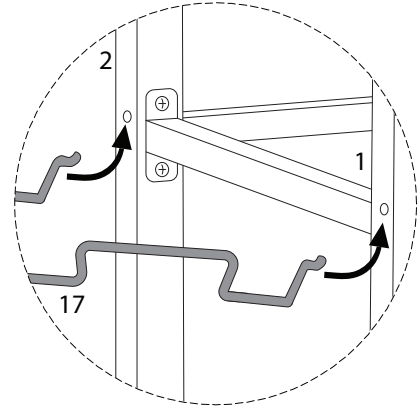
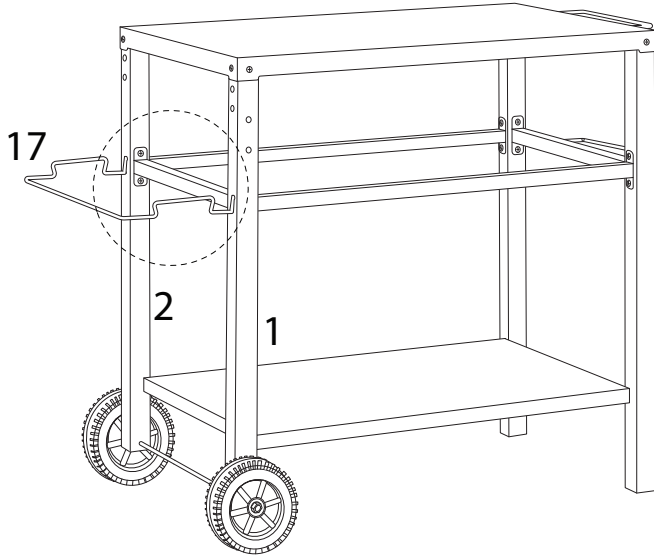
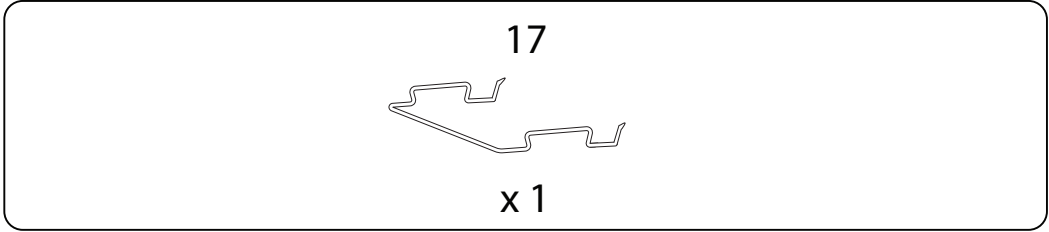


M6
x
12

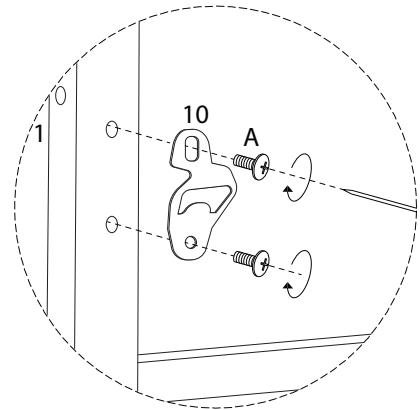
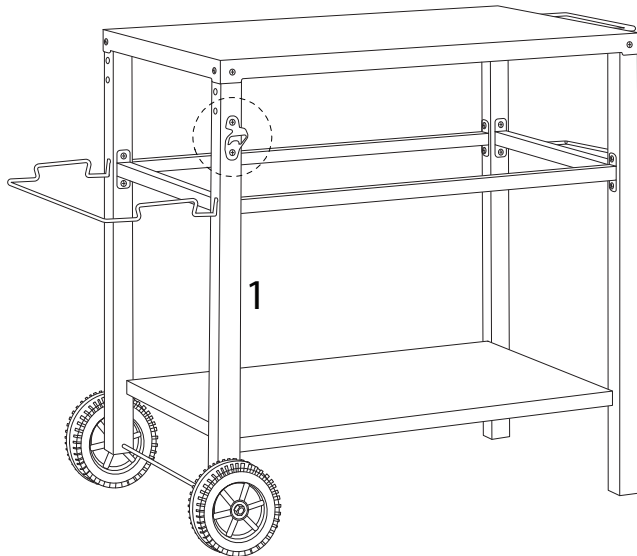
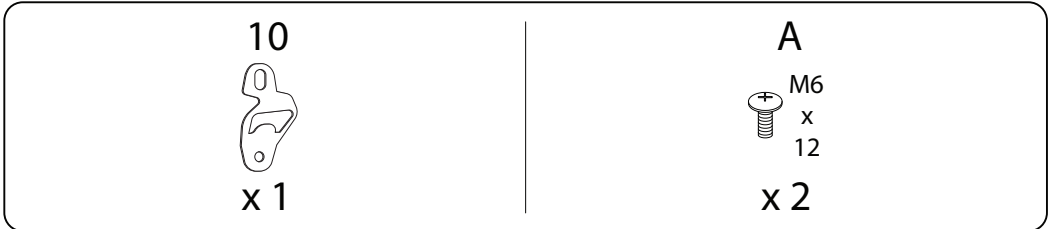
x 2



7

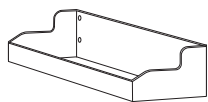


8



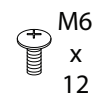
9

11

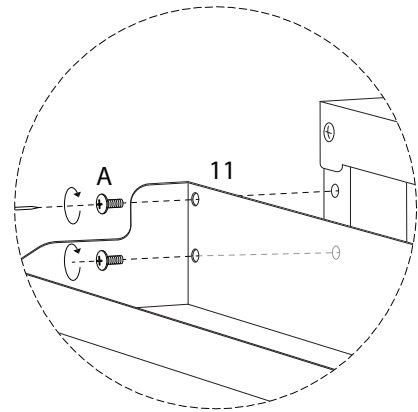
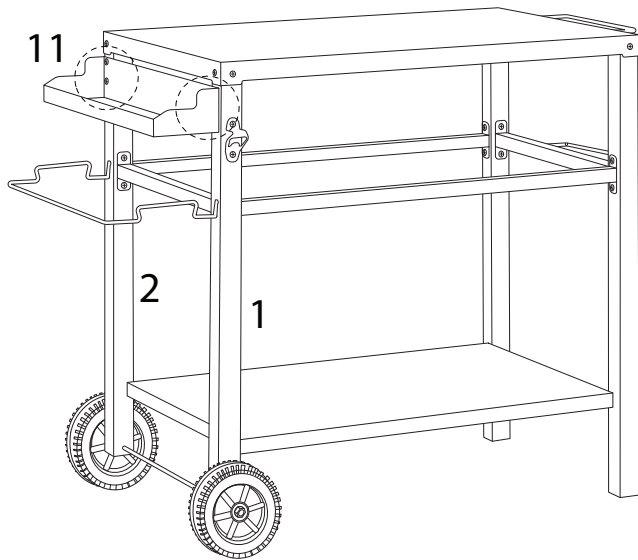


x 1

A



x 4



10

13



x 3

