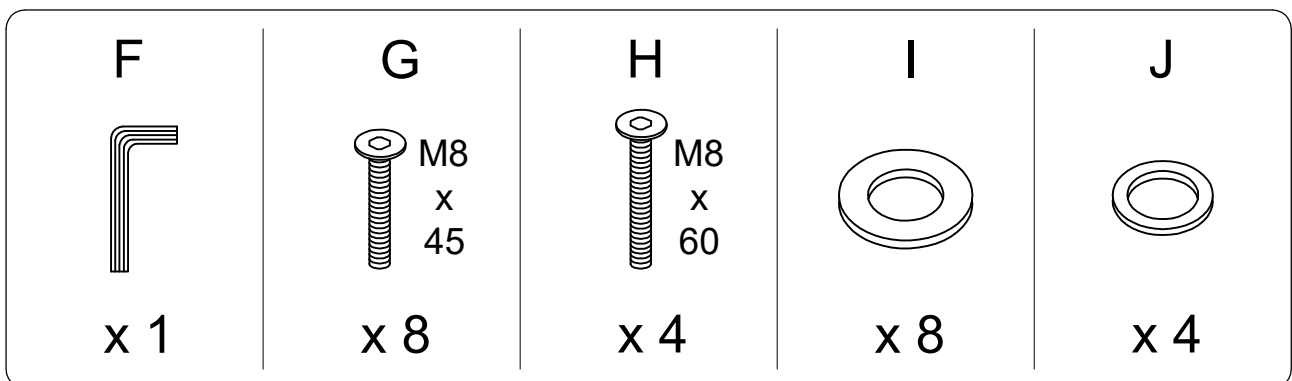
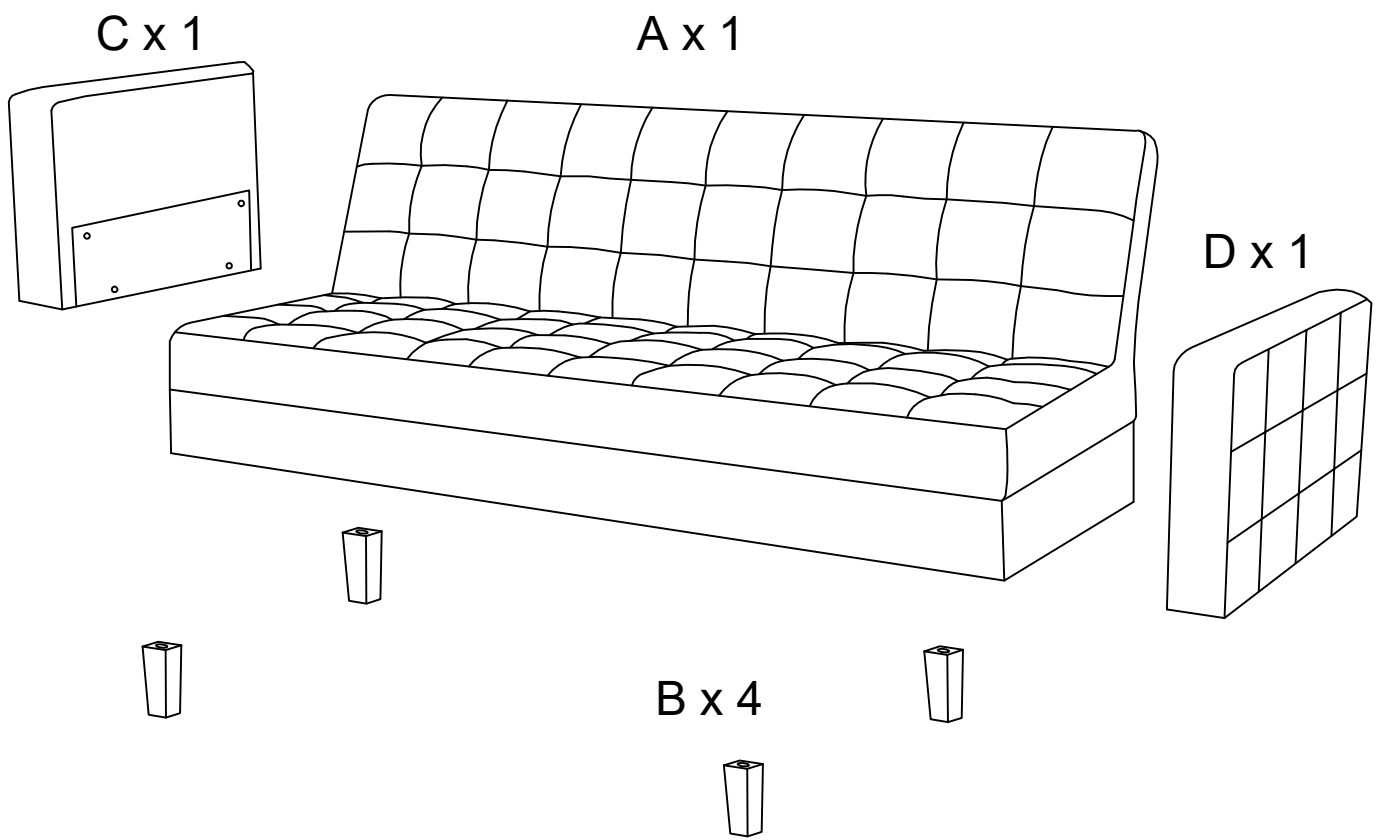
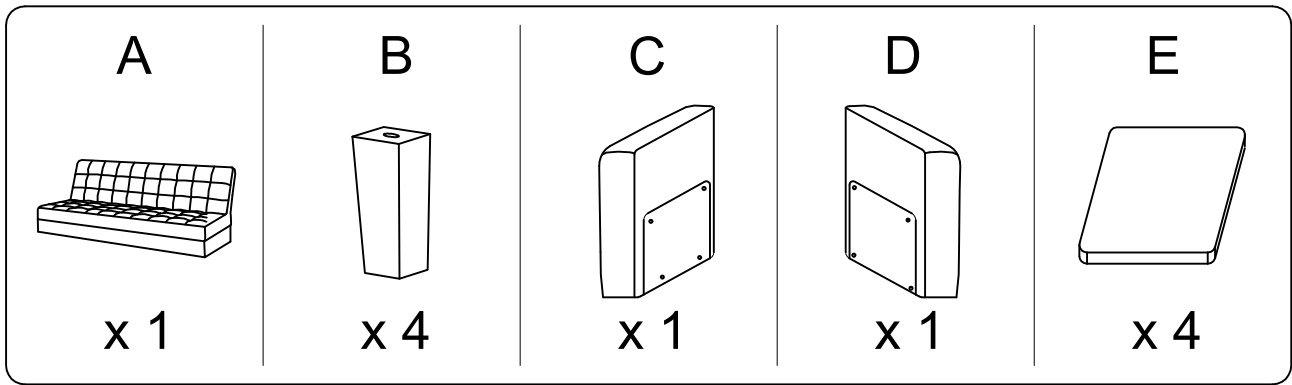
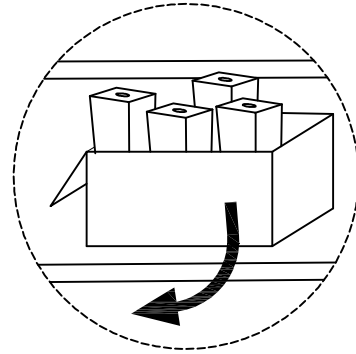
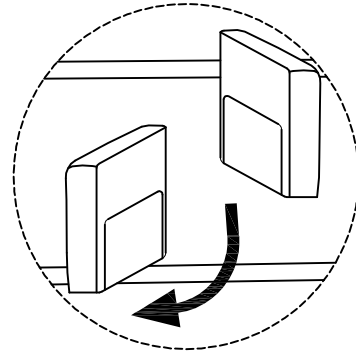
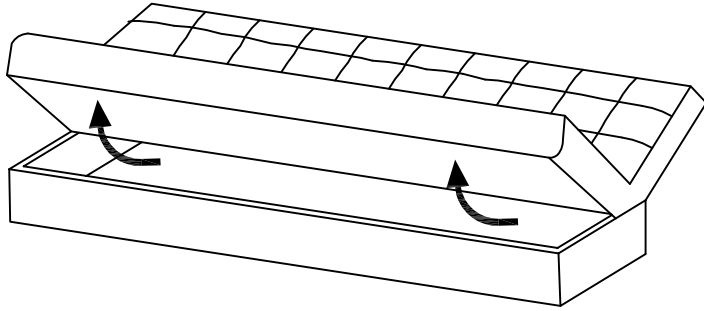


Diagram illustrating assembly instructions and safety warnings:

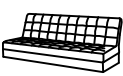
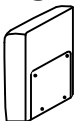


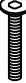
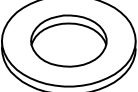
- Warning 1:** A triangle with an exclamation mark points to a box containing an L-shaped metal bracket and a power drill with a slash through it, indicating that a power drill should not be used for this step.
- Warning 2:** A triangle with an exclamation mark points to a box containing a rectangular block being placed on a mat and another block being cut with a knife, indicating that a knife should not be used for this step.
- Time:** A clock icon is positioned above the number **30'**, indicating a 30-minute assembly time.
- Personnel:** A person icon is positioned above the number **1**, indicating that one person is required for assembly.

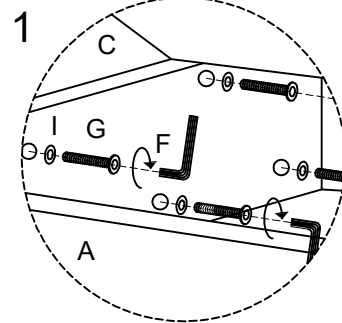
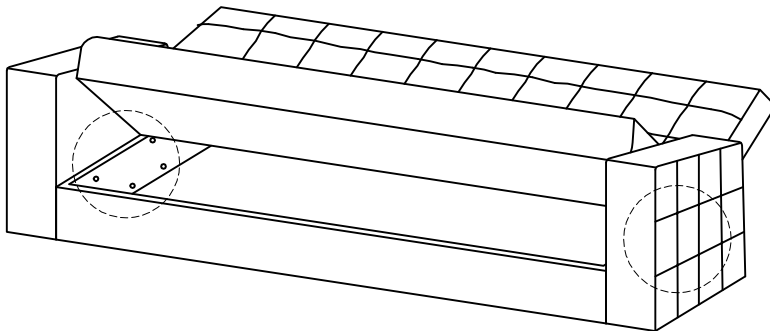


!

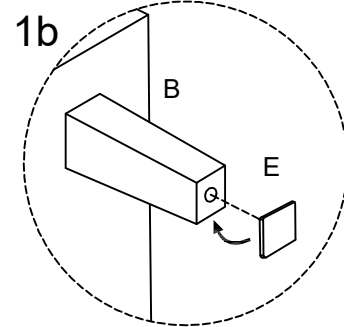
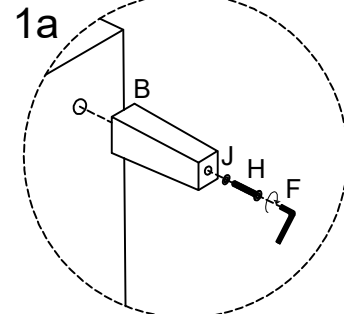
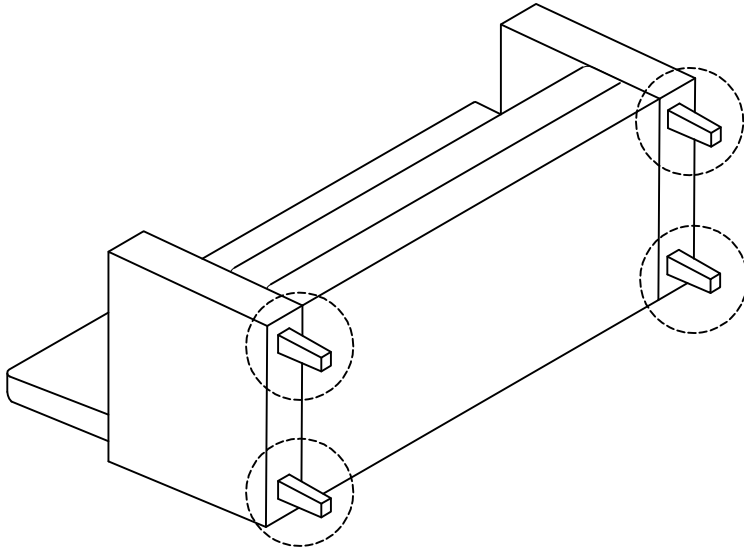
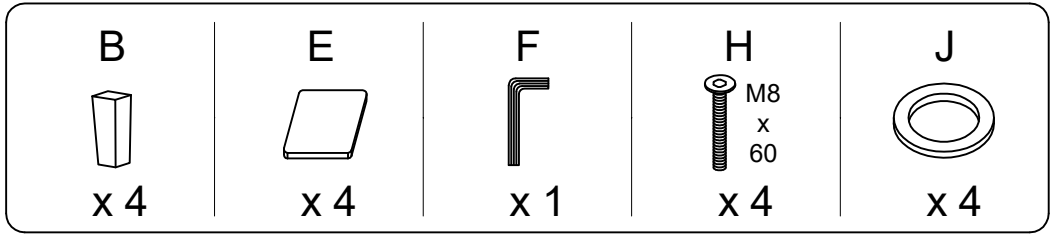


1

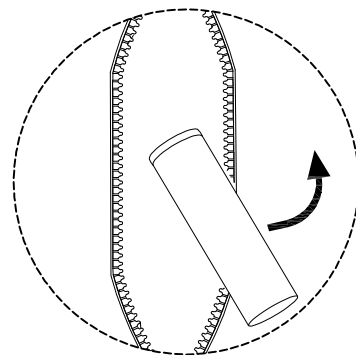
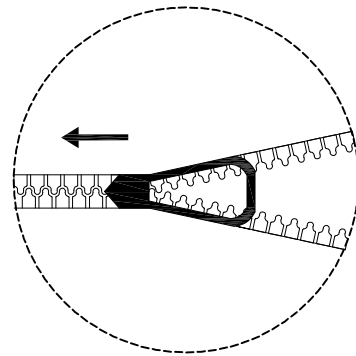
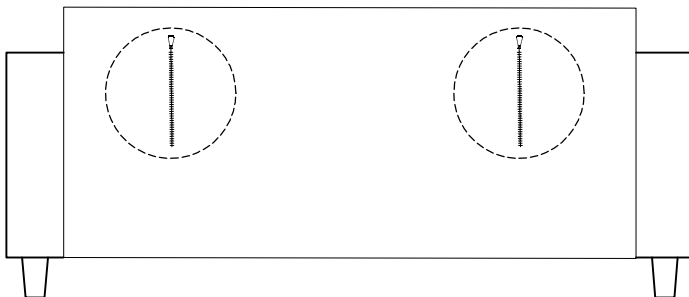
<b>A</b>  x 1	<b>C</b>  x 1	<b>D</b>  x 1	<b>F</b>  x 1	<b>G</b>  M8 x 45 x 8	<b>I</b>  x 8
--------------------------------------------------------------------------------------------------------	--------------------------------------------------------------------------------------------------------	--------------------------------------------------------------------------------------------------------	---------------------------------------------------------------------------------------------------------	---------------------------------------------------------------------------------------------------------------------	----------------------------------------------------------------------------------------------------------



2



3



4

