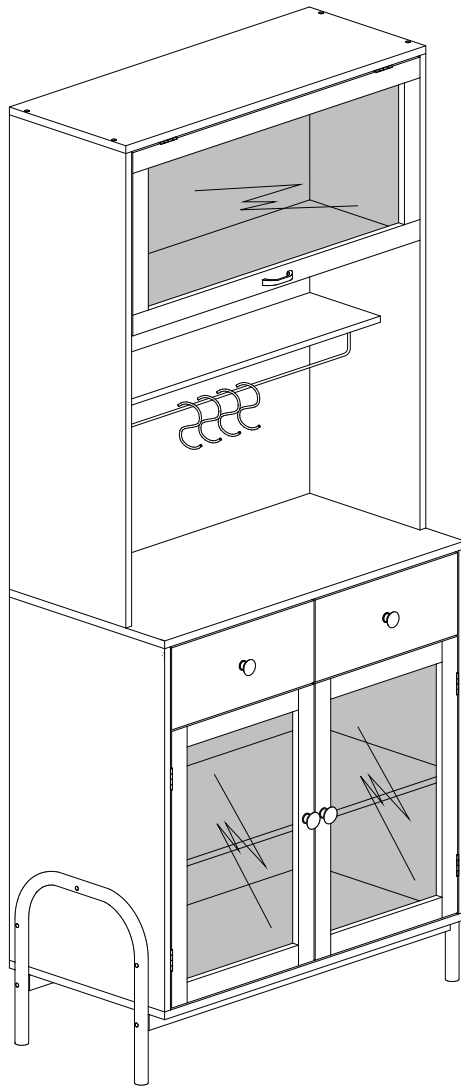
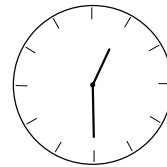
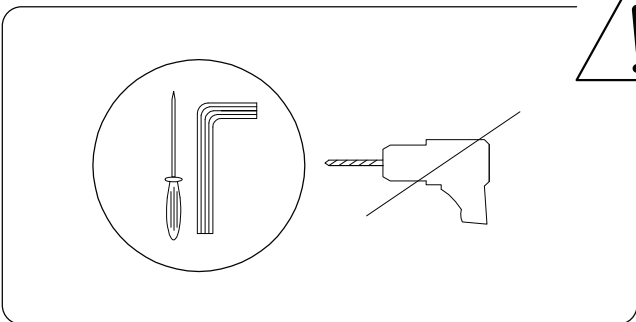
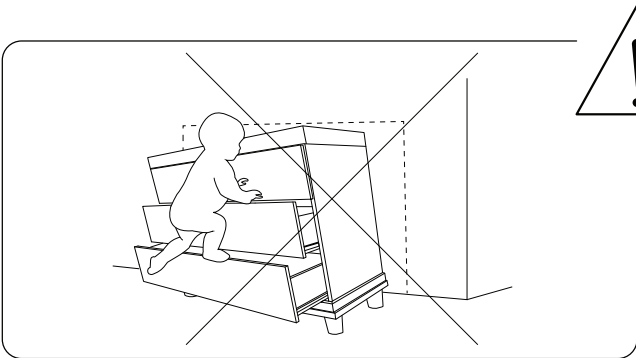
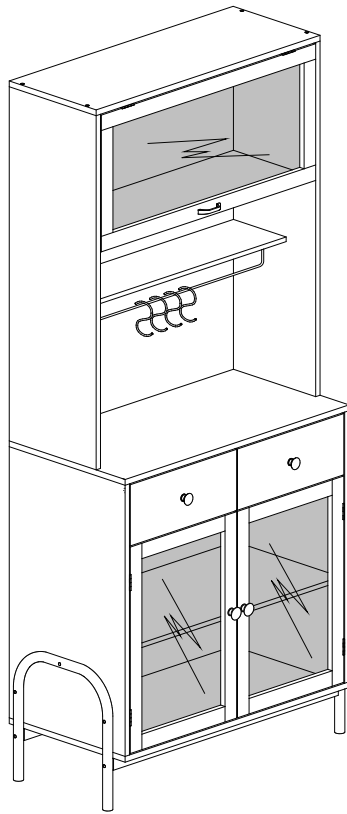
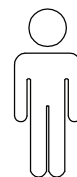
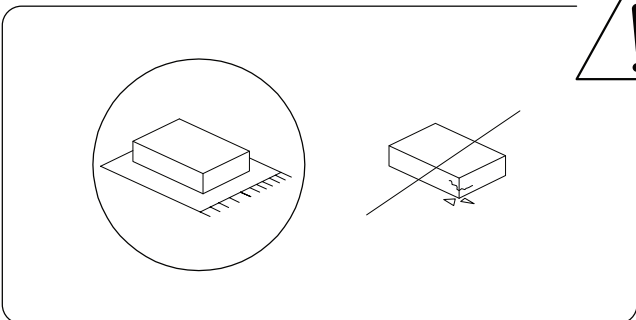


PARLIN

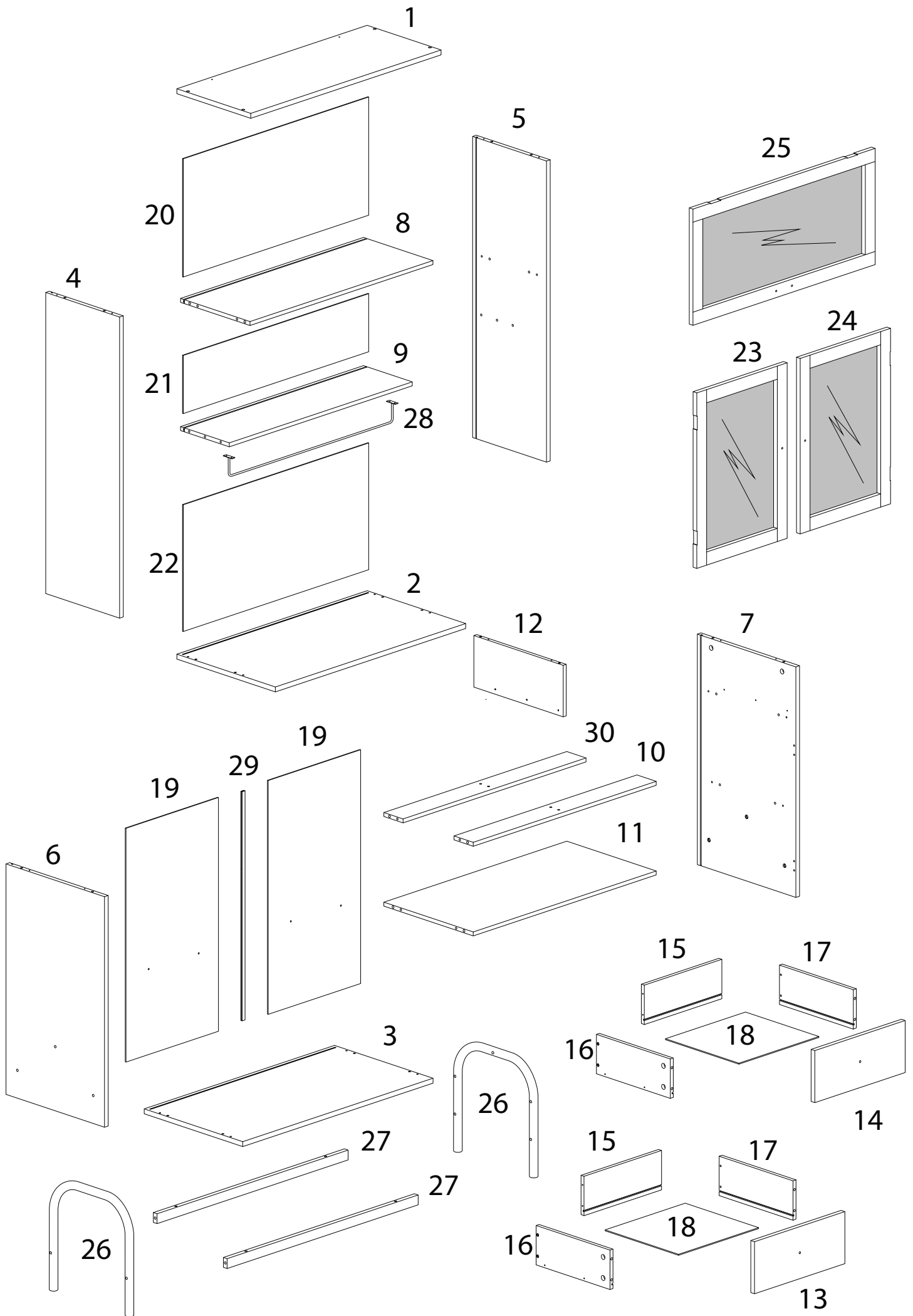




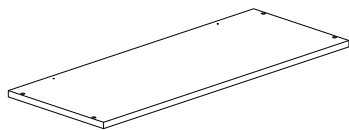
90'



2

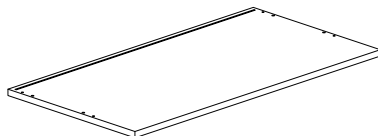


1



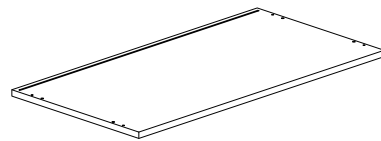
x 1

2



x 1

3



x 1

4



x 1

5



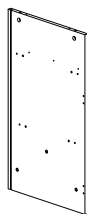
x 1

6



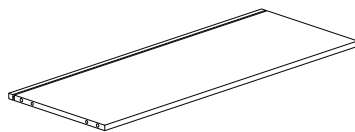
x 1

7



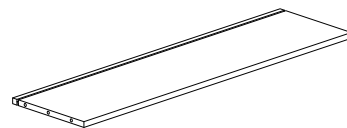
x 1

8



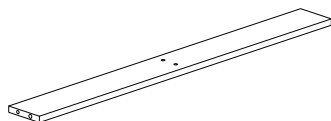
x 1

9



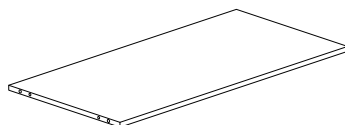
x 1

10



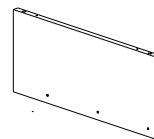
x 1

11



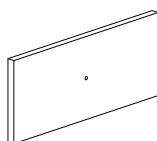
x 1

12



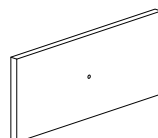
x 1

13



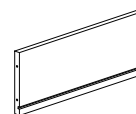
x 1

14



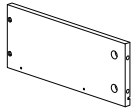
x 1

15



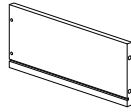
x 2

16



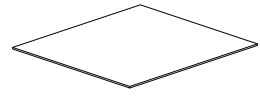
x 2

17



x 2

18



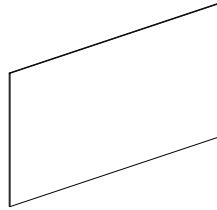
x 2

19



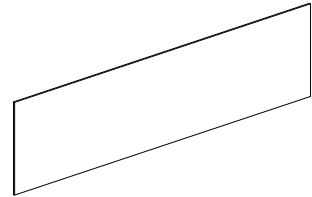
x 2

20



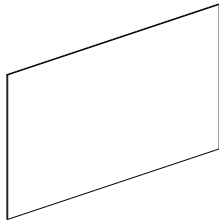
x 1

21



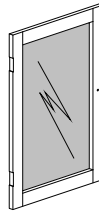
x 1

22



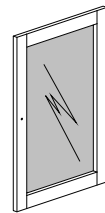
x 1

23



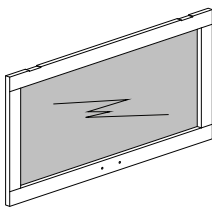
x 1

24



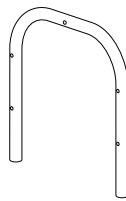
x 1

25



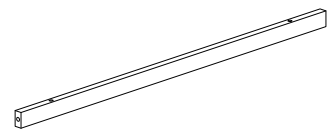
x 1

26



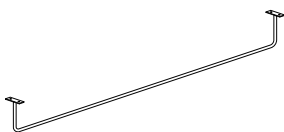
x 2

27



x 2

28



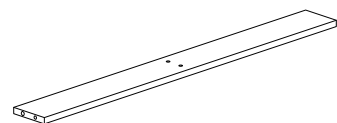
x 1

29



x 1

30



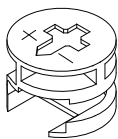
x 1

A



x 28

B



x 28

C



x 36

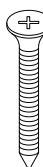
D



M3
x
12

x 50

E



M4
x
35

x 24

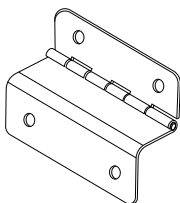
F



M4
x
12

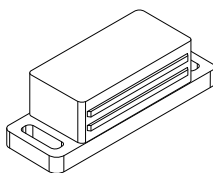
x 8

G



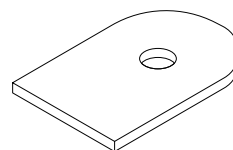
x 6

H



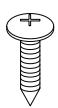
x 2

I



x 2

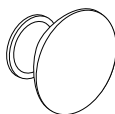
J



M2.5
x
14

x 4

K



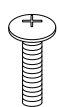
x 4

L



x 1

M



M4
x
20

x 4

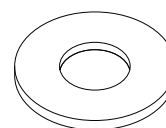
N



M4
x
18

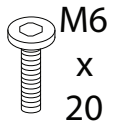
x 2

O



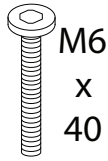
x 4

P



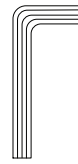
x 6

Q



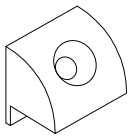
x 8

R



x 1

S



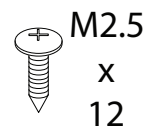
x 12

T



x 12

U



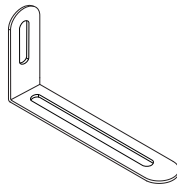
x 4

V



x 3

W



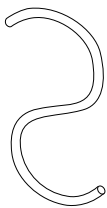
x 2

X



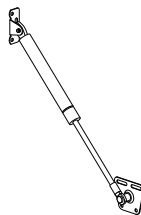
x 2

Y



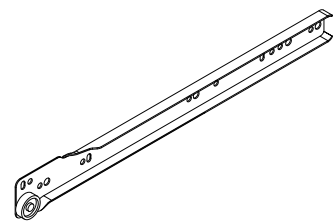
x 4

Z



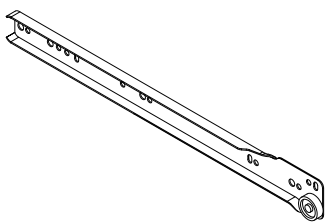
x 1

CL



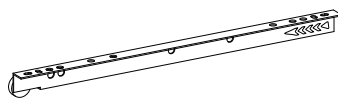
x 2

CR



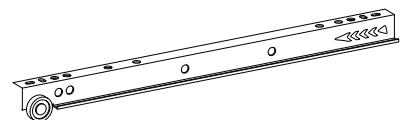
x 2

DL



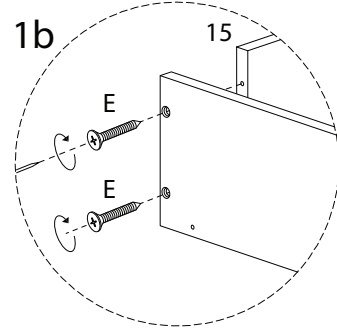
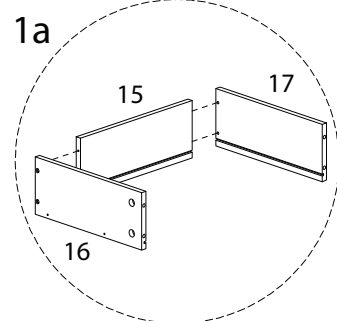
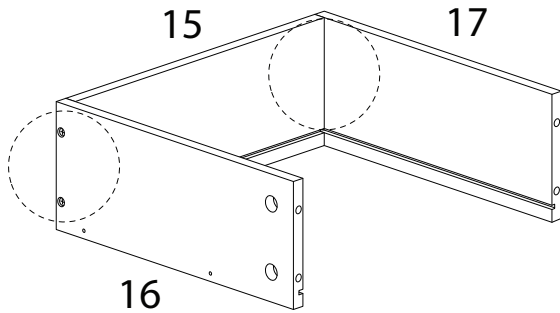
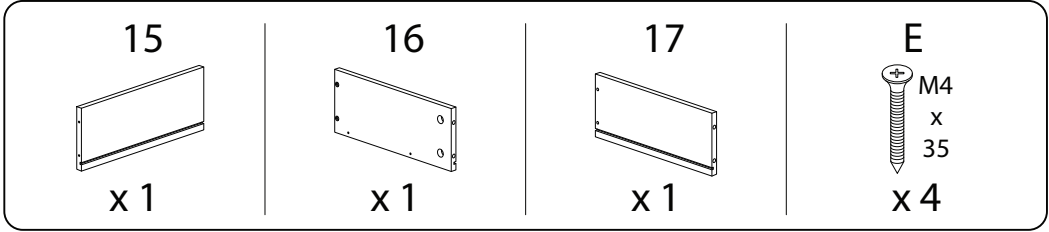
x 2

DR

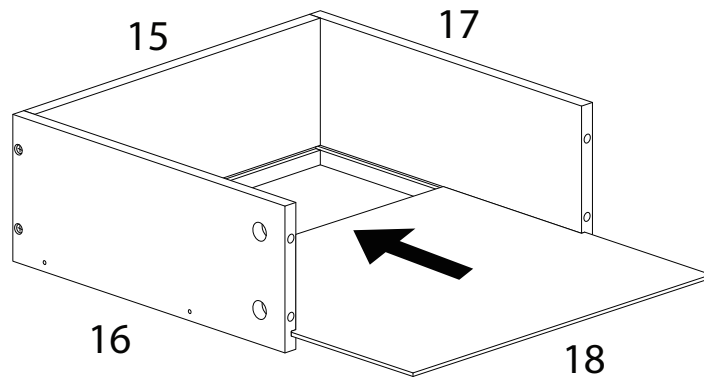
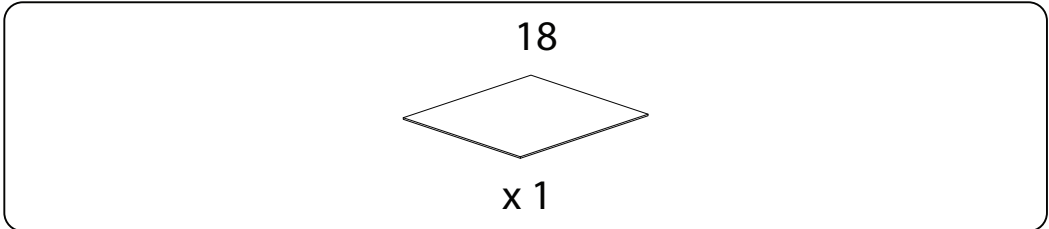


x 2

1 x 2

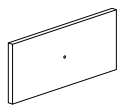


2 x 2



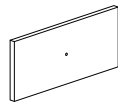
3

13



x 1

14

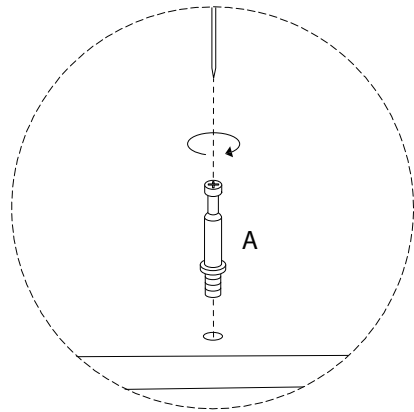
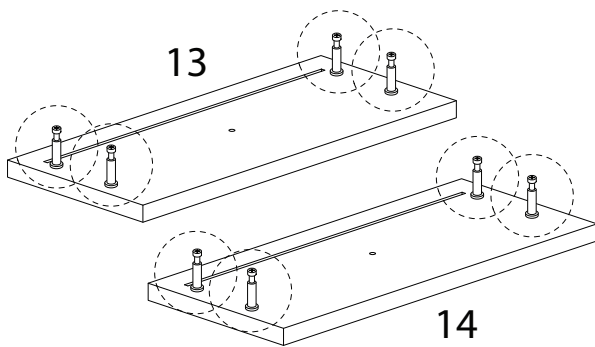


x 1

A



x 8



4

K

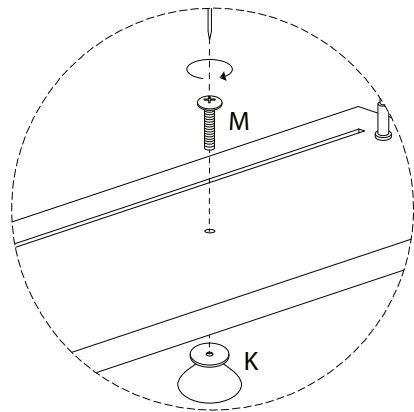
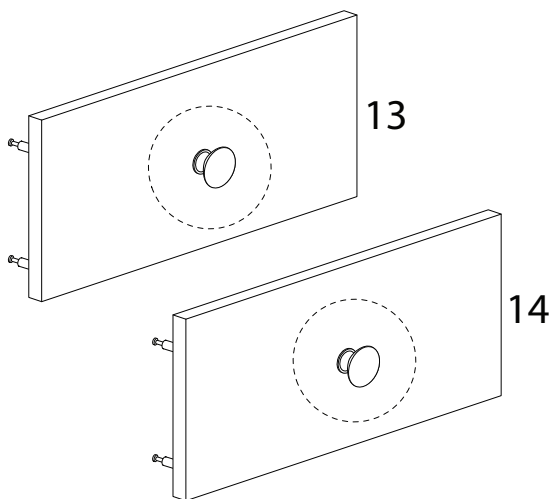


x 2

M

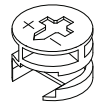


x 2

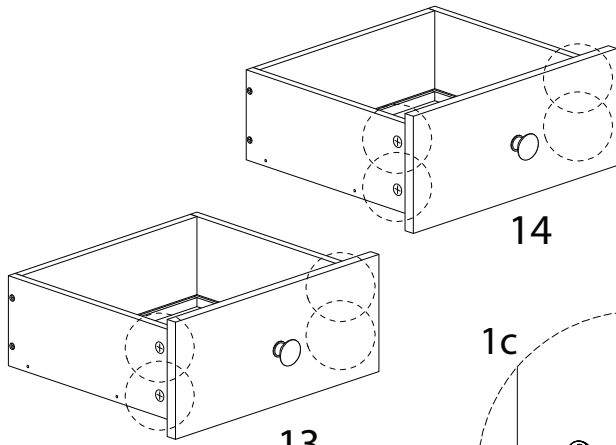


5

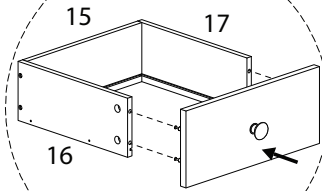
B



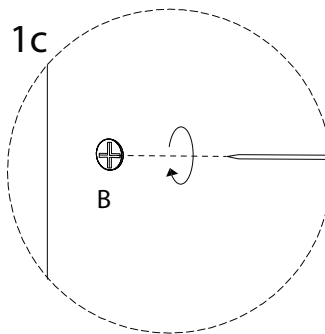
x 8



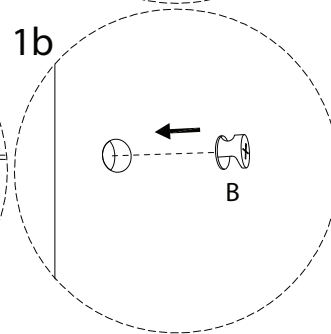
1a



1c



1b



6

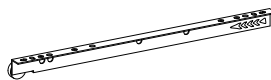
D



x 12

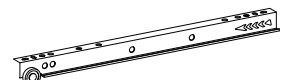
x 8

DL

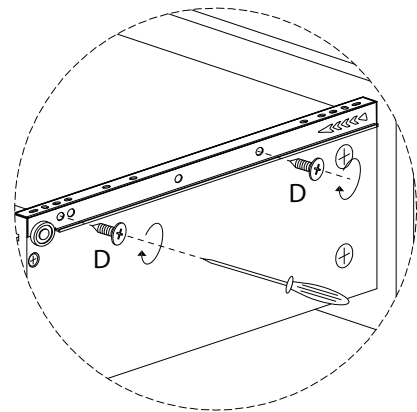
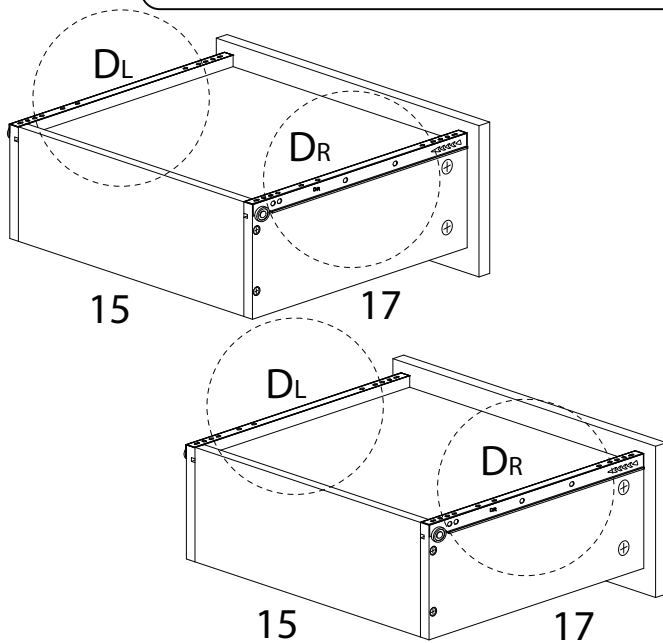


x 2

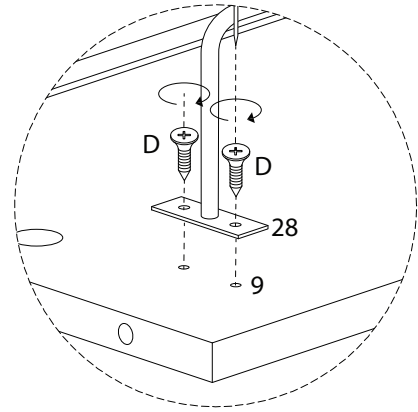
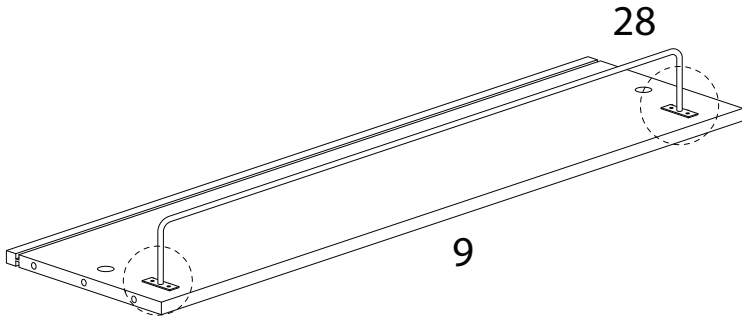
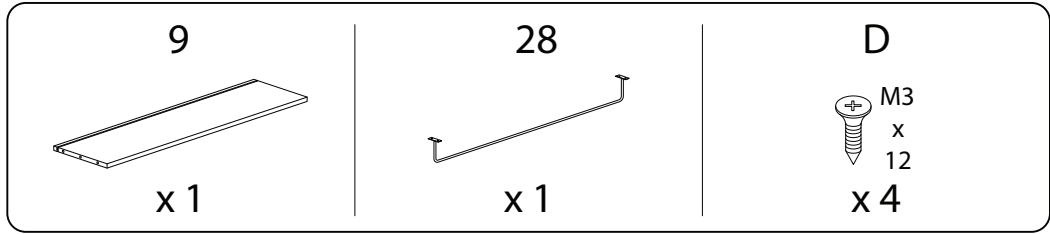
DR



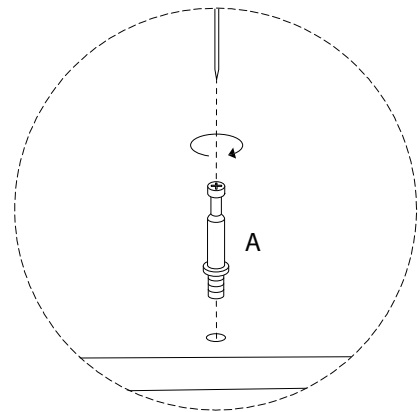
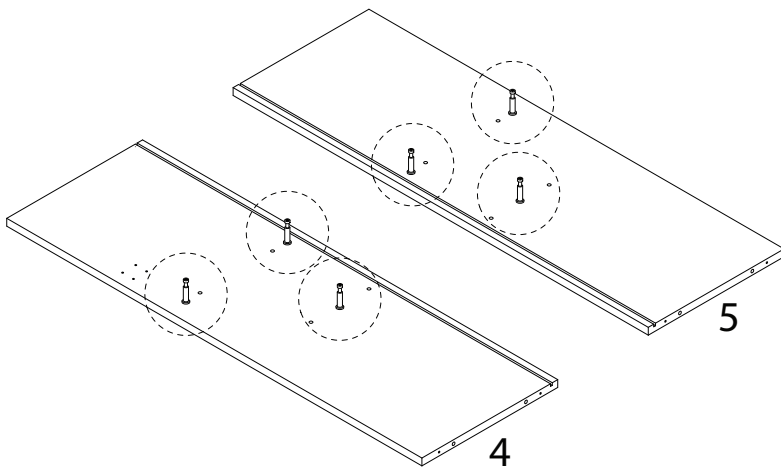
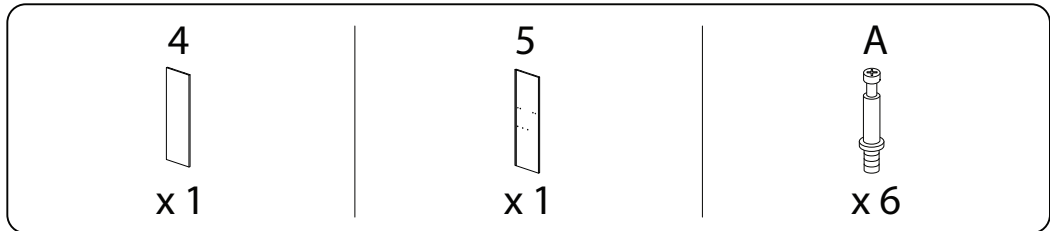
x 2



7

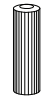


8

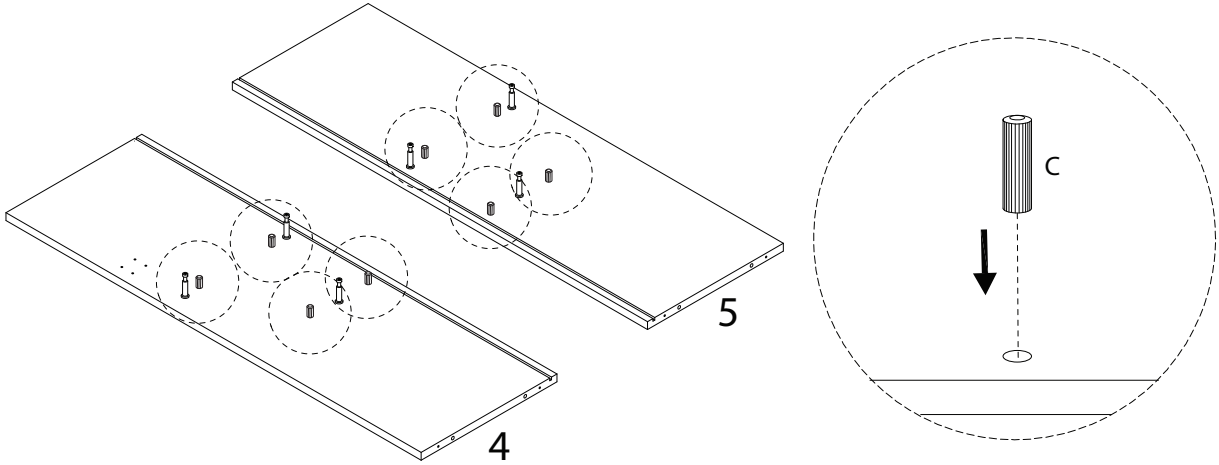


9

C



x 8

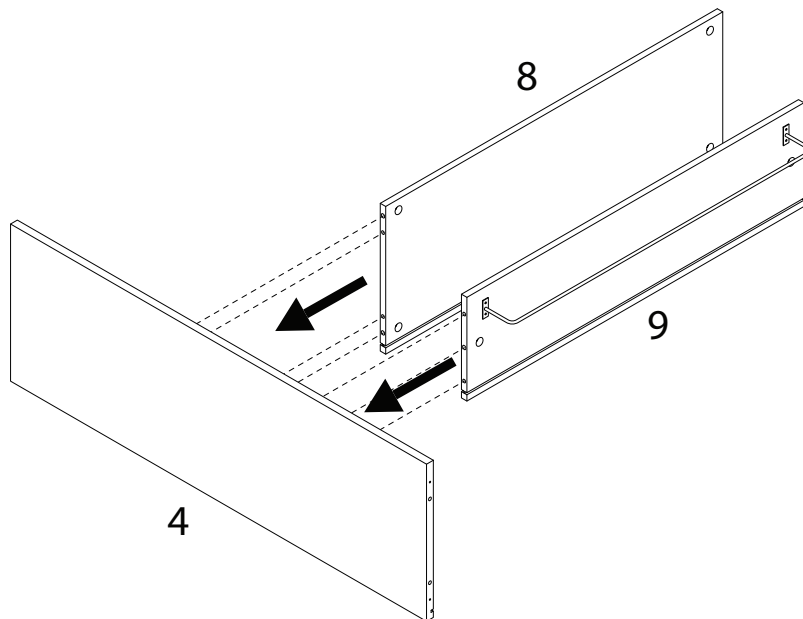


10

8

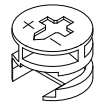


x 1

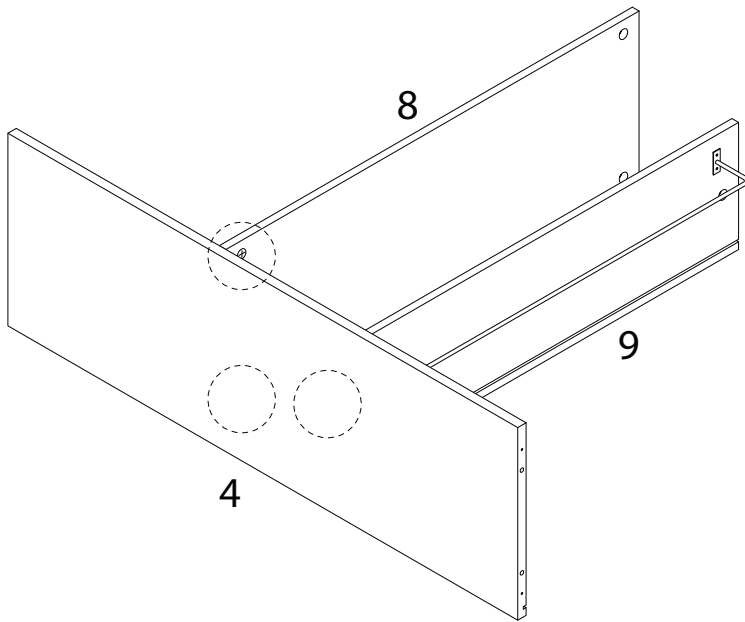


11

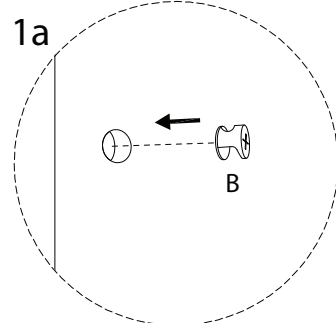
B



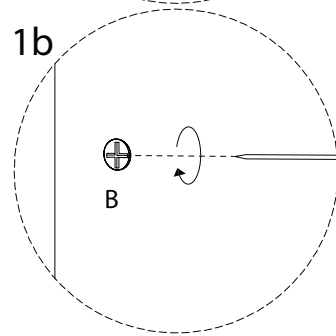
x 3



1a



1b

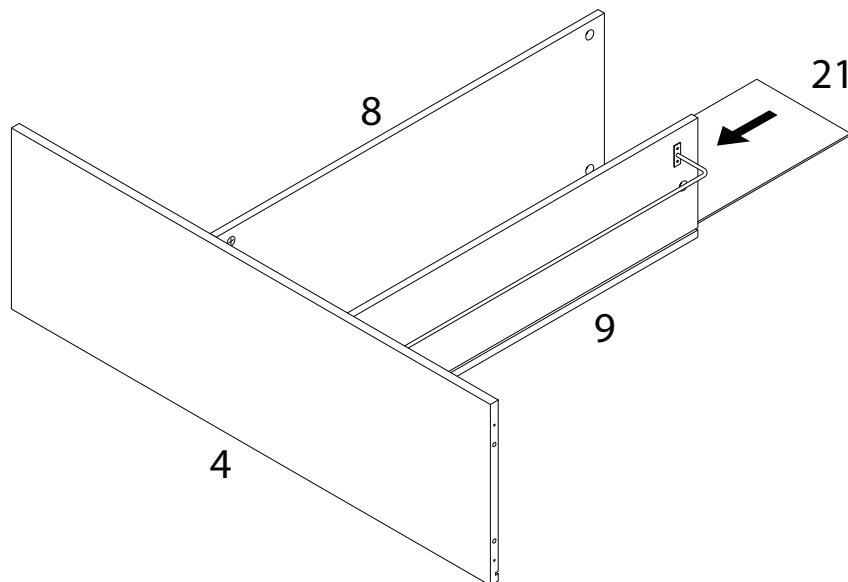


12

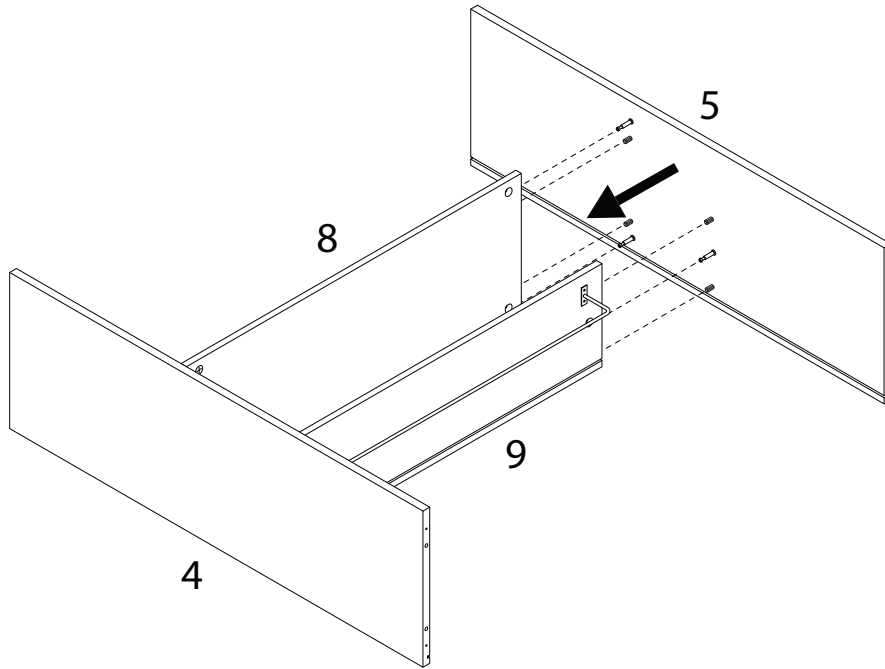
21



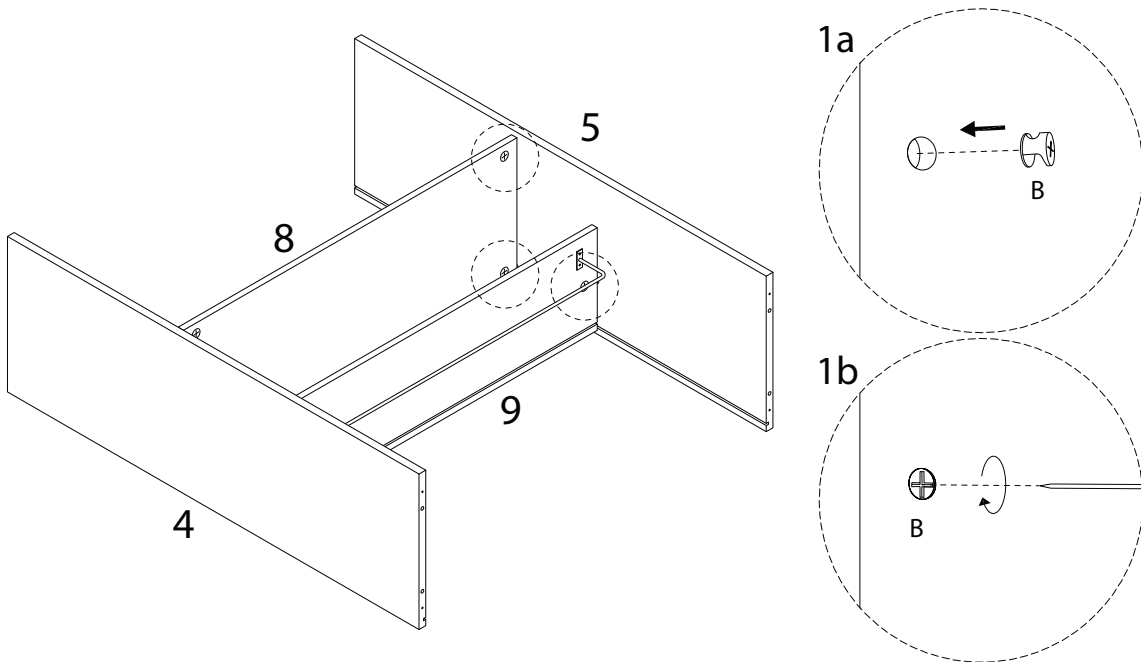
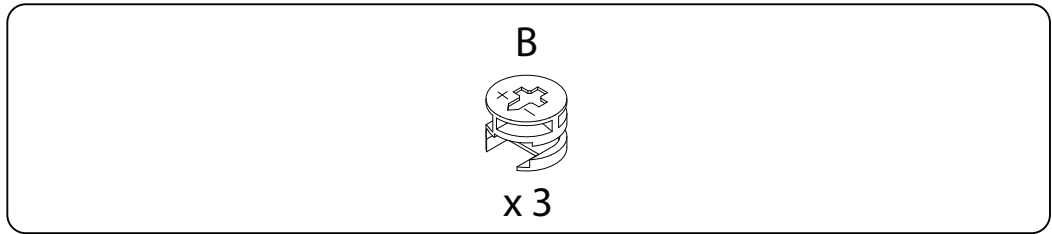
x 1



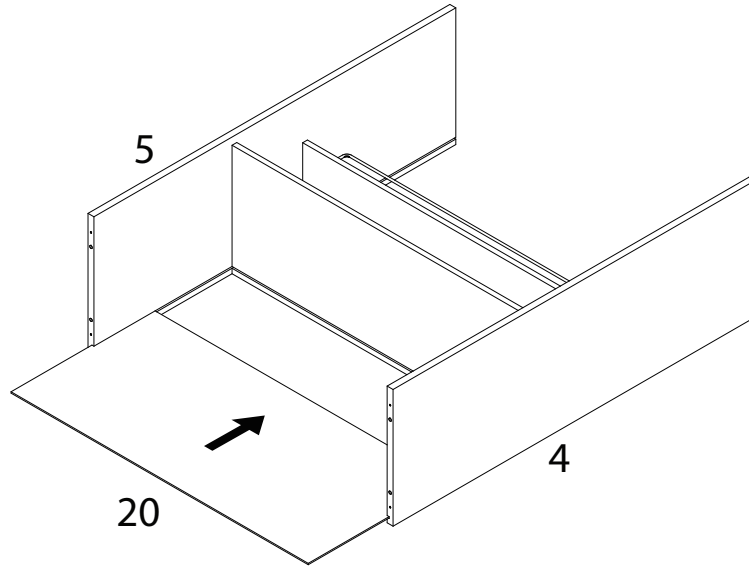
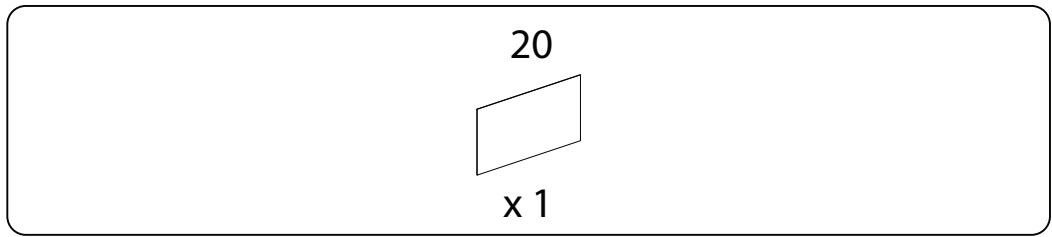
13



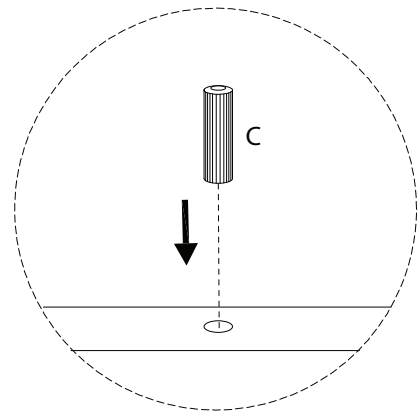
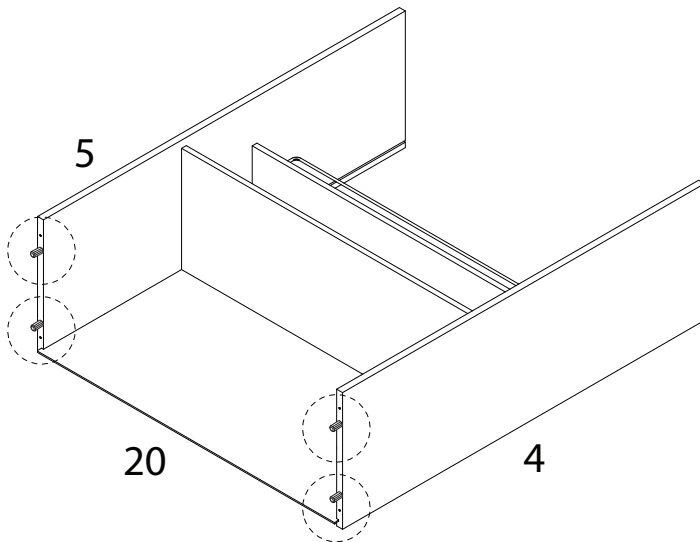
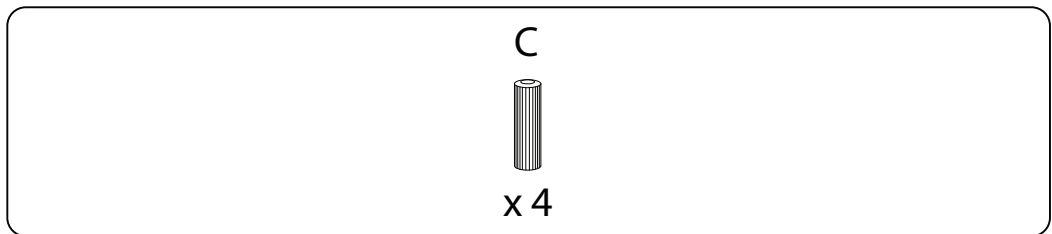
14



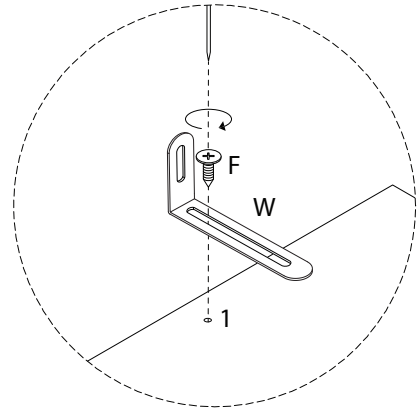
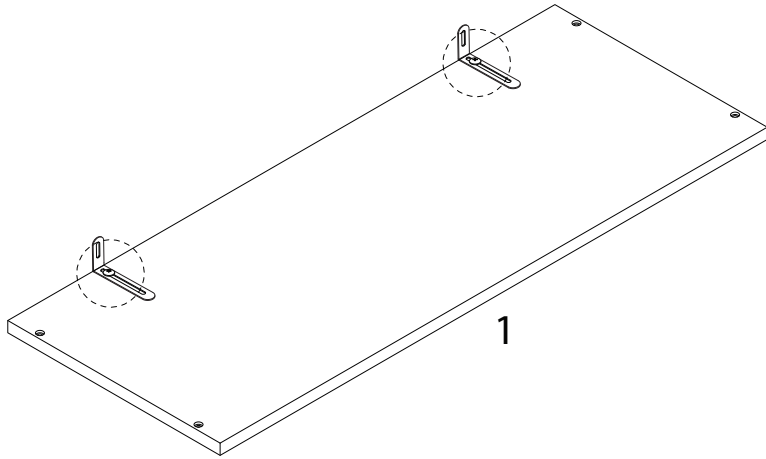
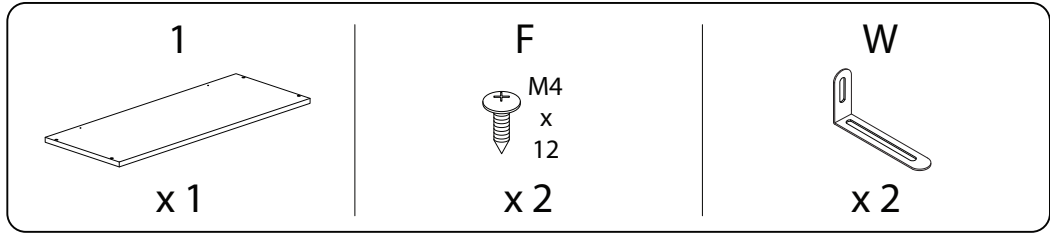
15



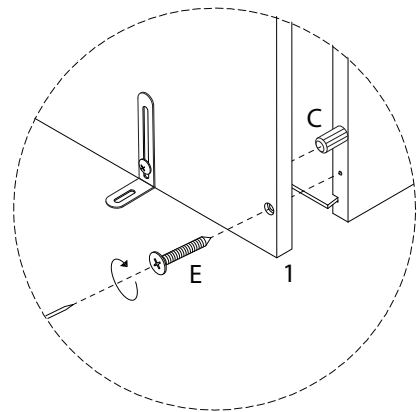
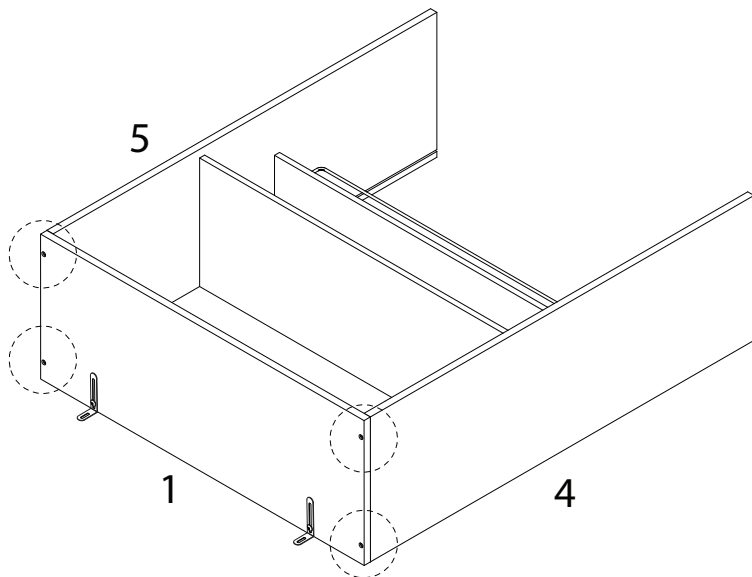
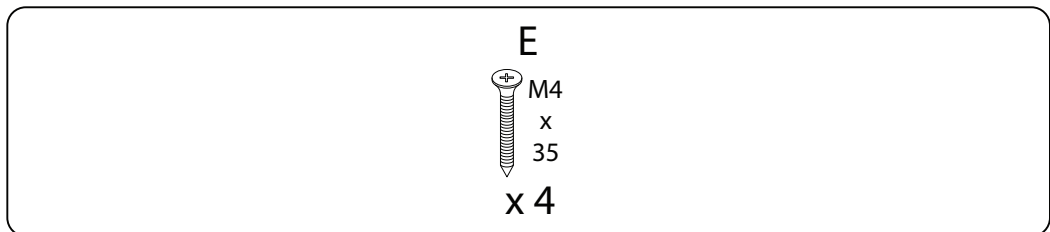
16



17

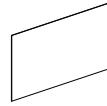


18

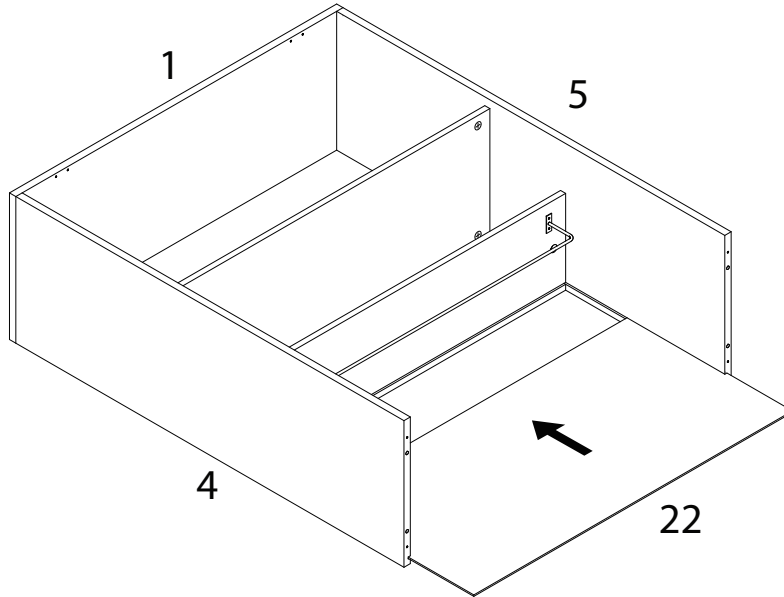


19

22

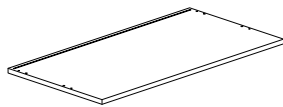


x 1



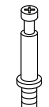
20

2

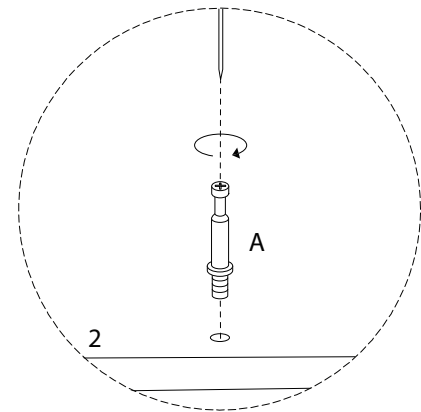
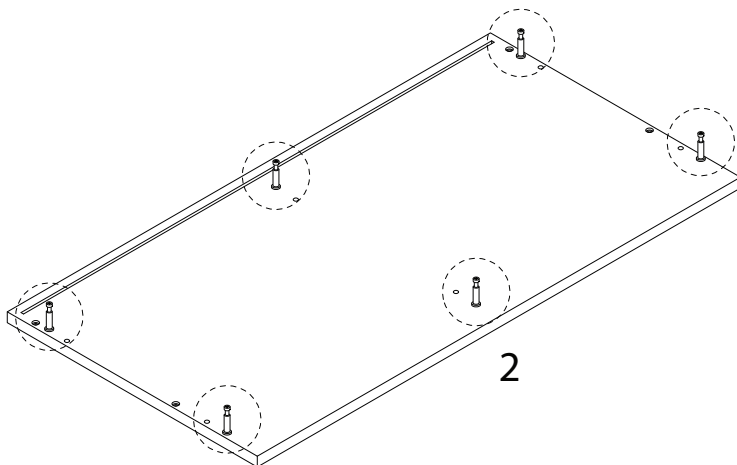


x 1

A

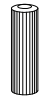


x 6

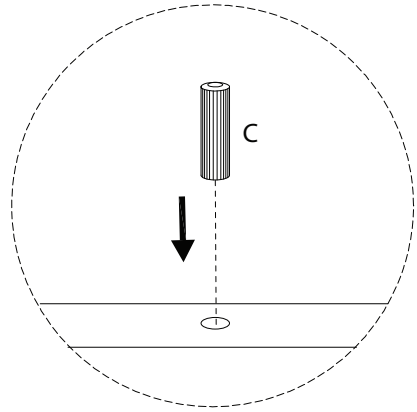
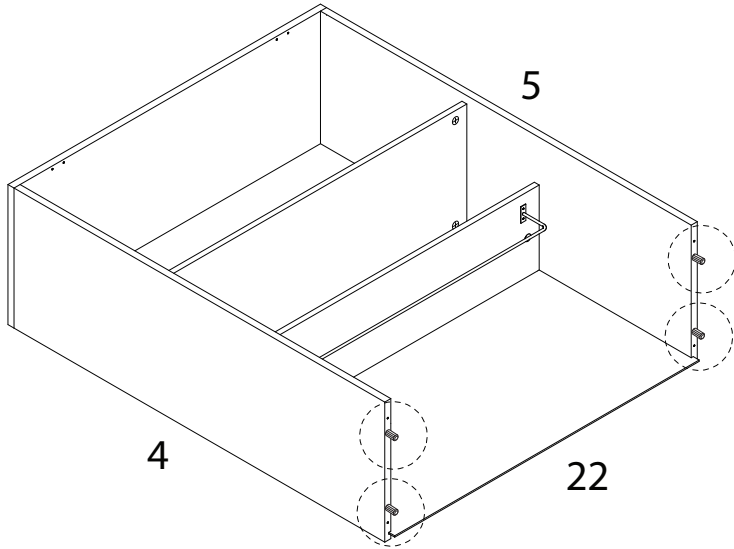


21

C



x 4

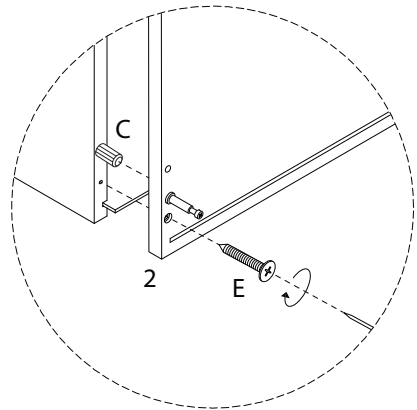
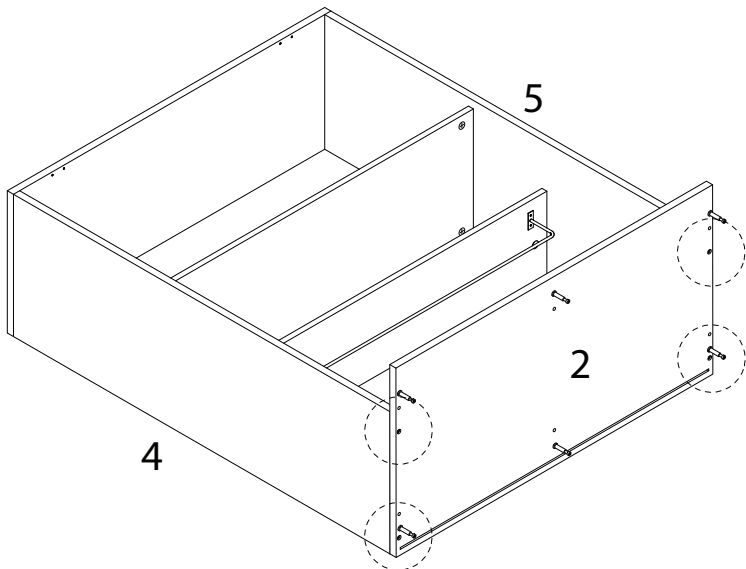


22

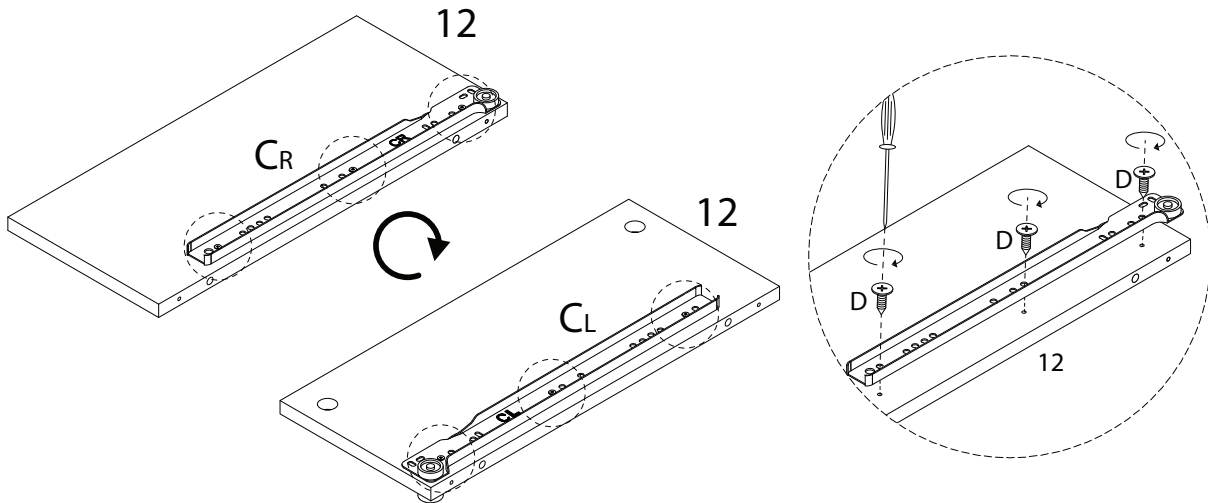
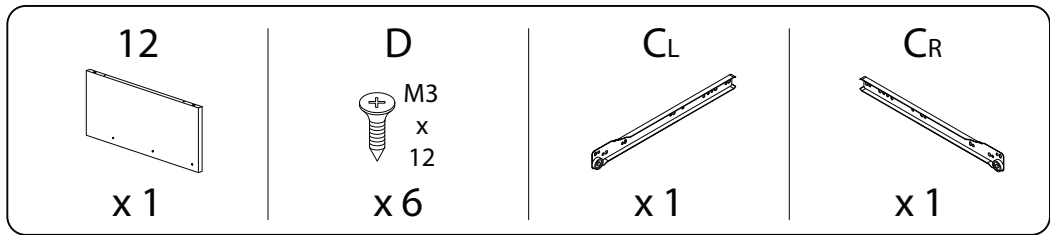
E



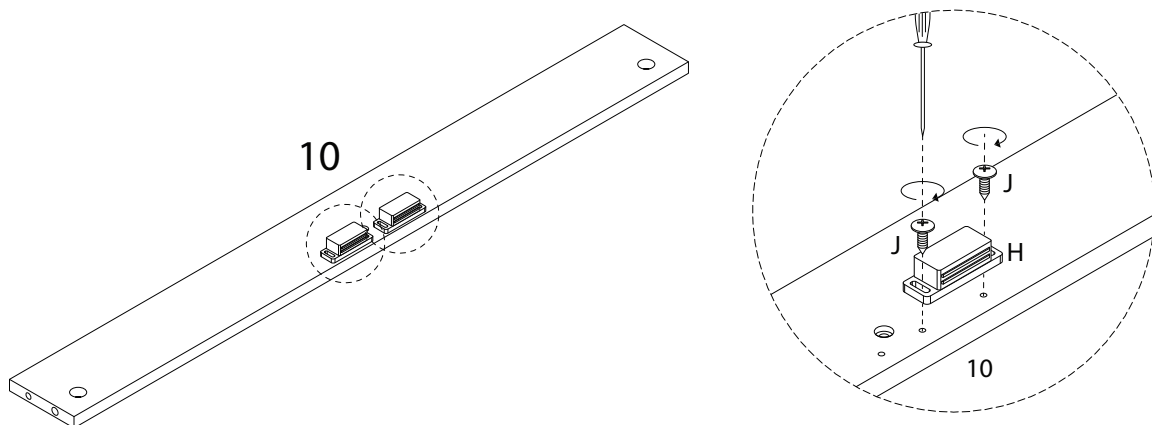
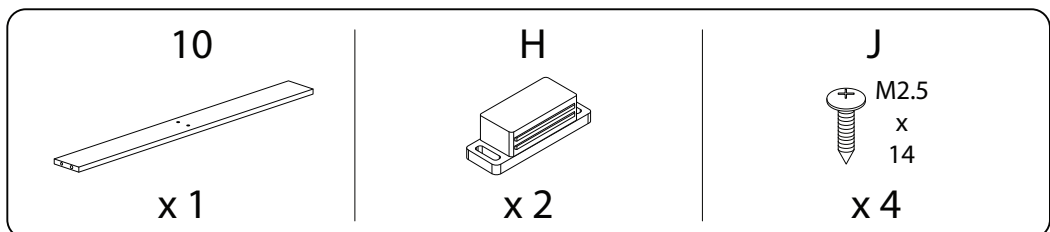
x 4



23



24

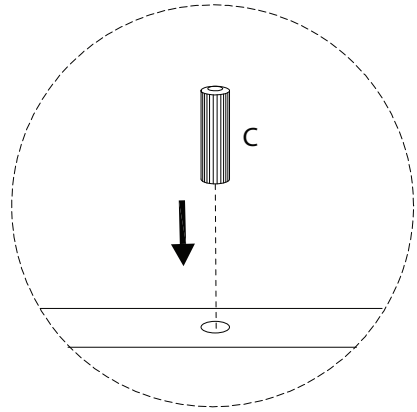
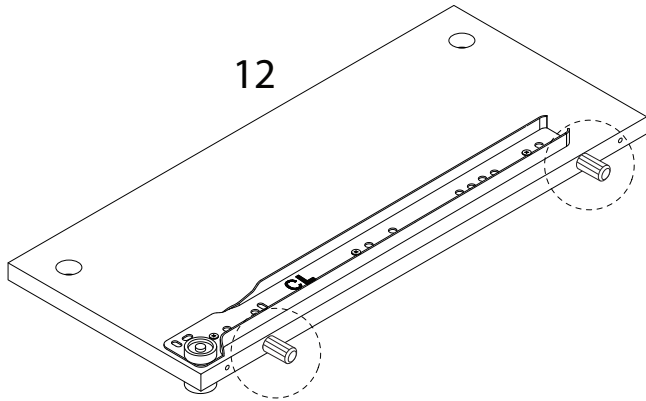


25

C

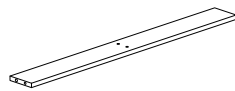


x 2



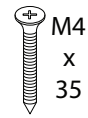
26

30

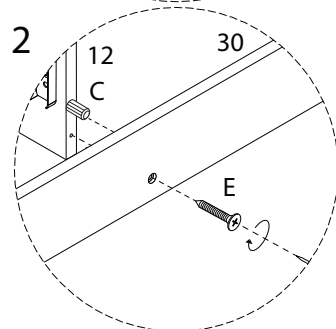
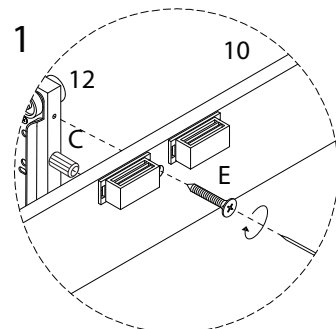
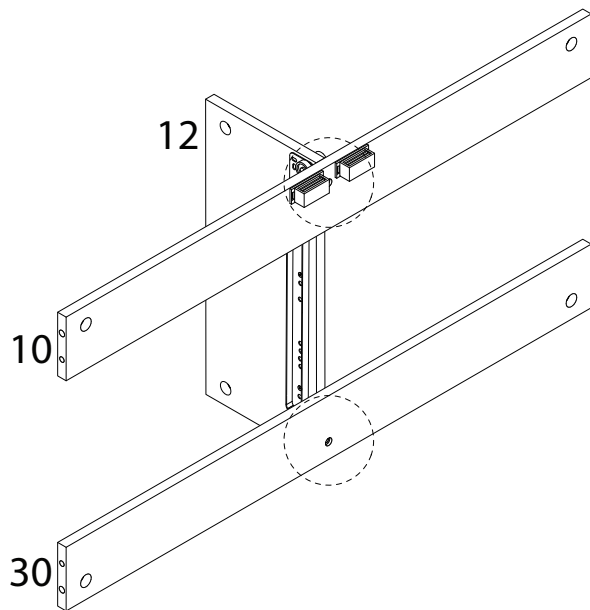


x 1

B

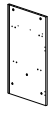


x 2



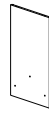
27

6



x 1

7

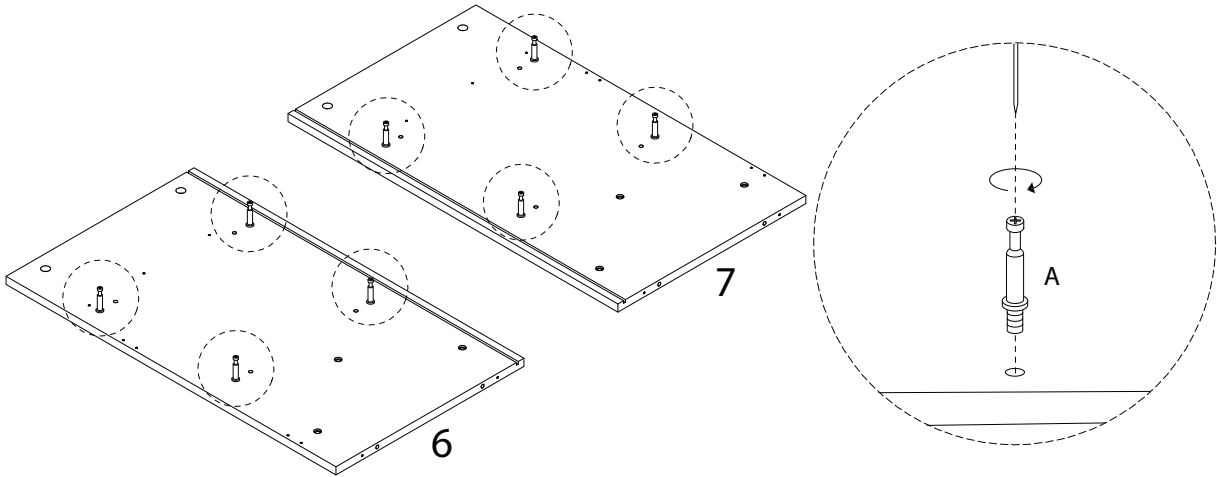


x 1

A



x 8



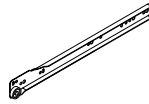
28

D



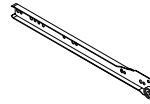
x 6

CL

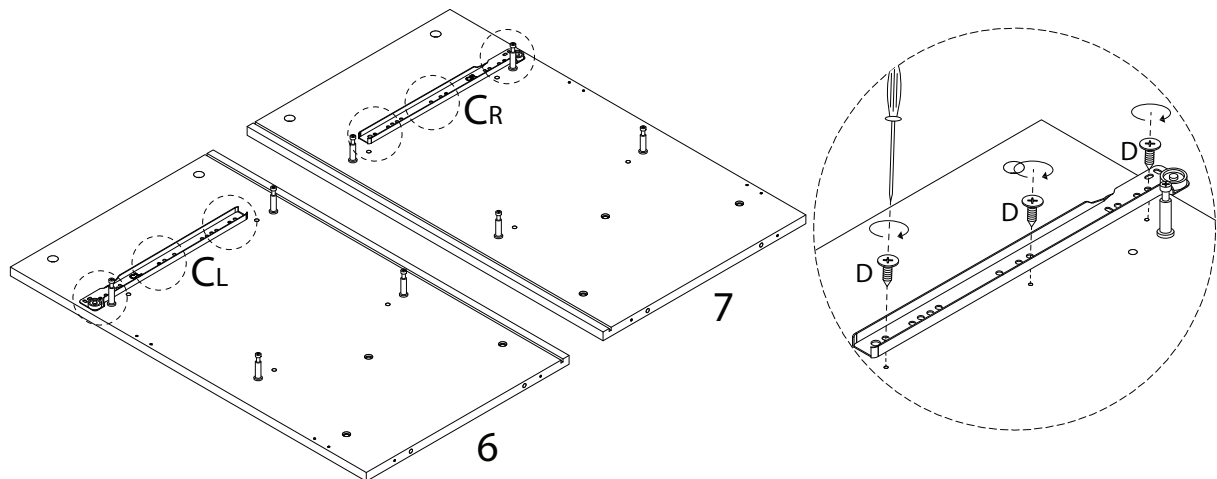


x 1

CR



x 1

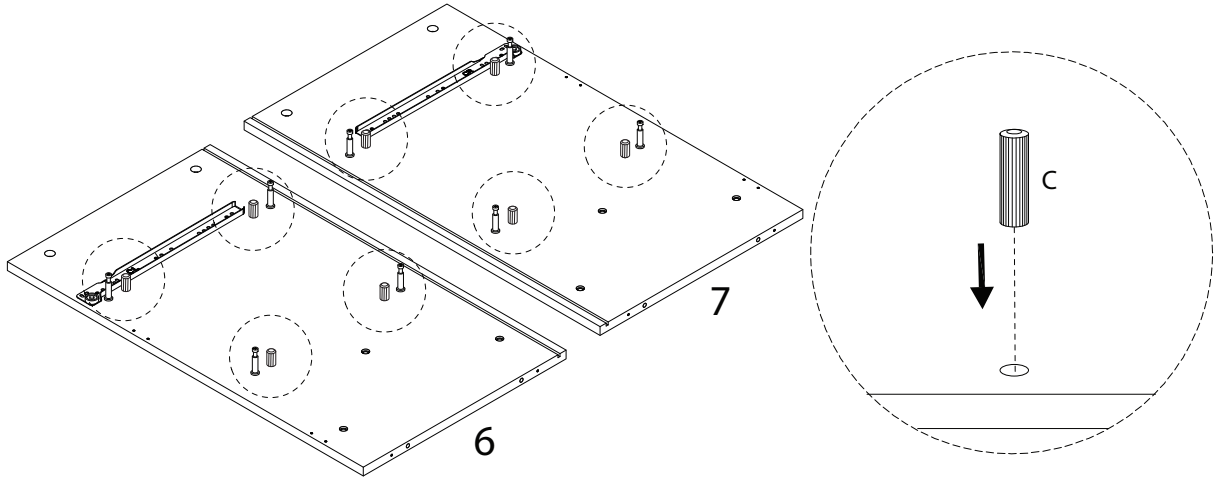


29

C

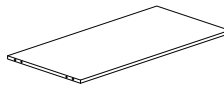


x 8

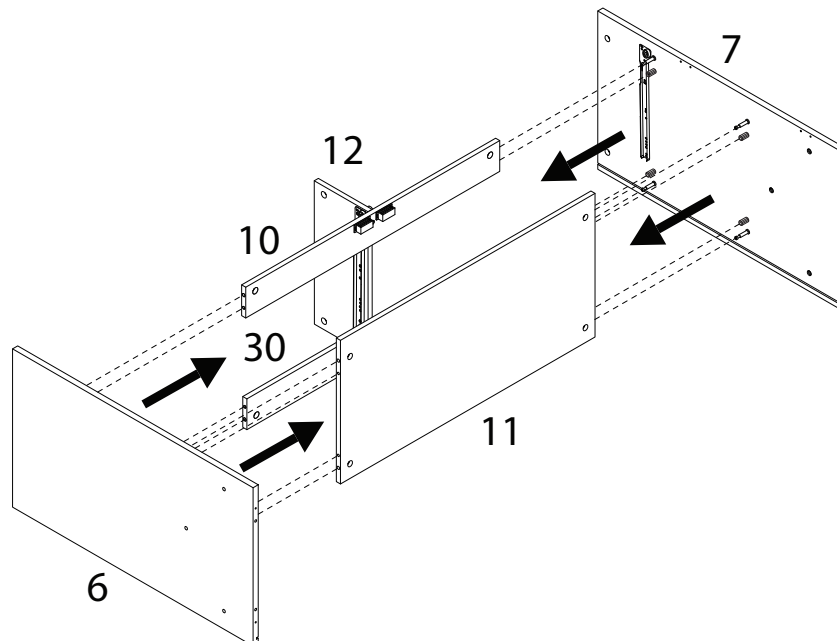


30

11

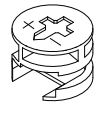


x 1

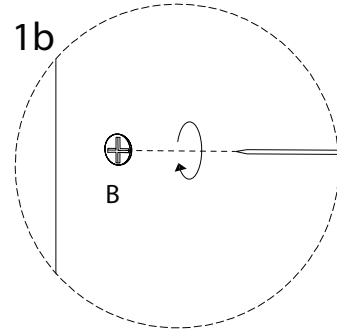
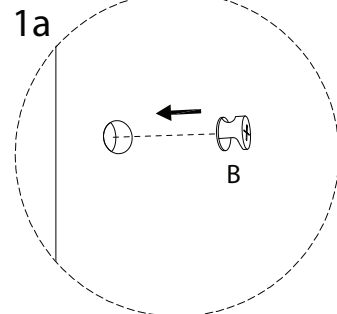
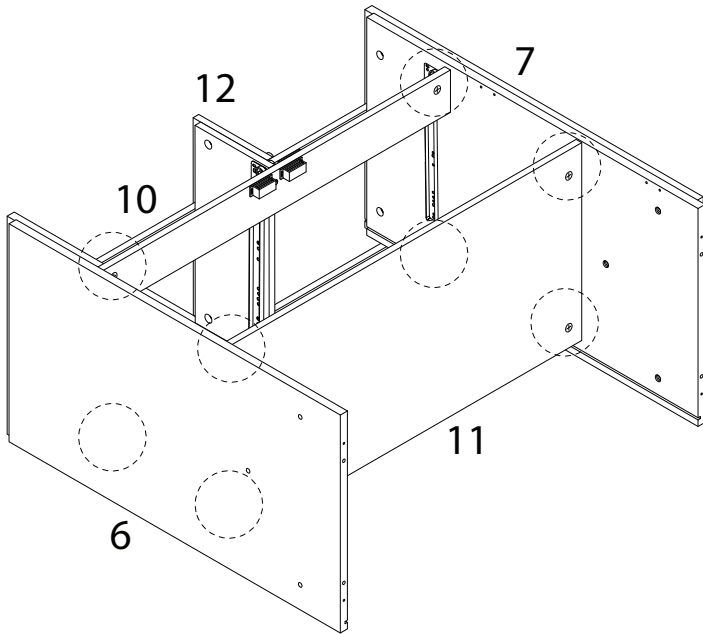


31

B



x 8

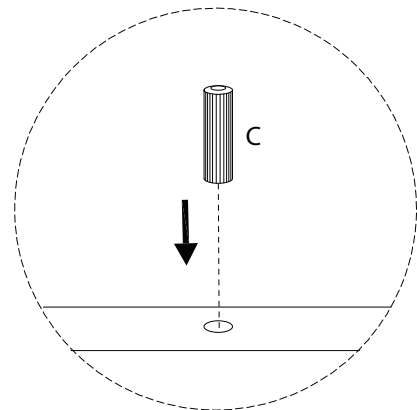
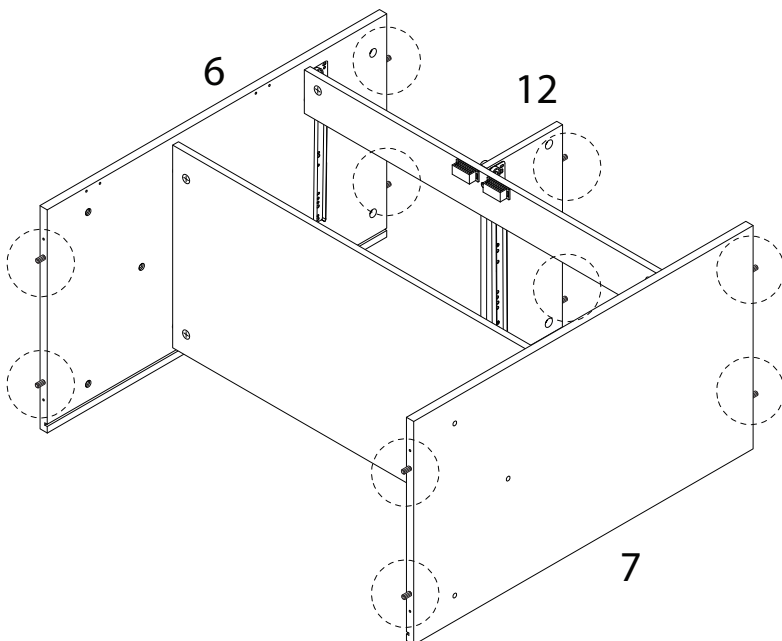


32

C

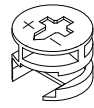


x 10

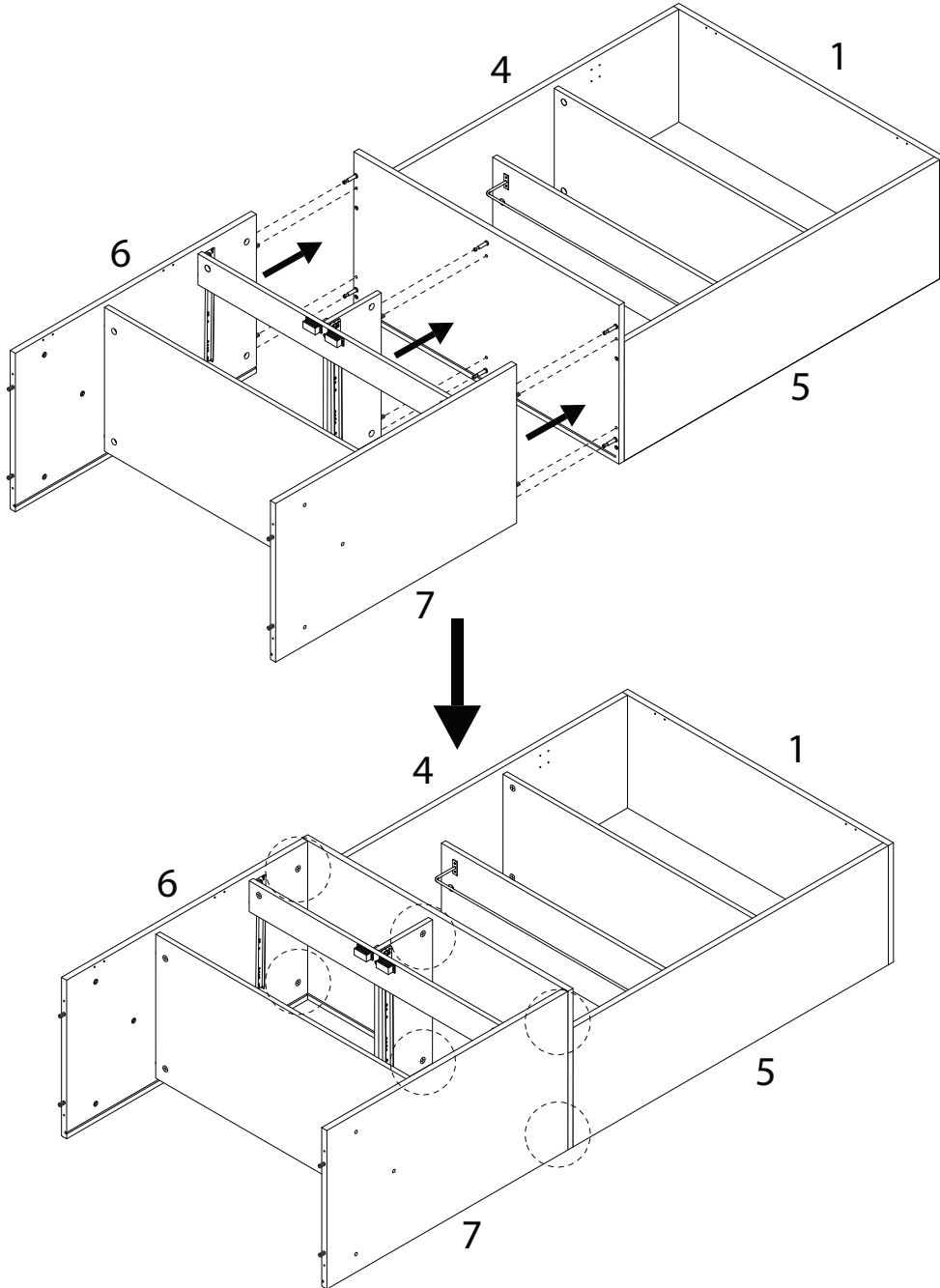


33

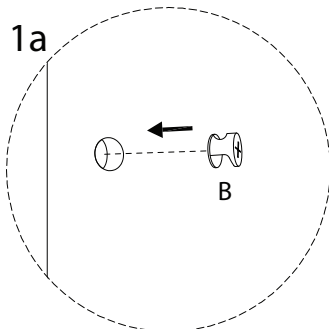
B



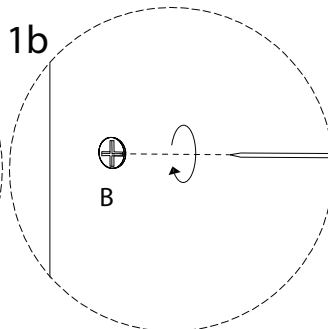
x 6



1a

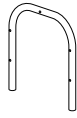


1b



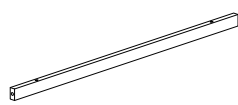
34

26



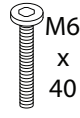
x 2

27



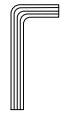
x 2

Q

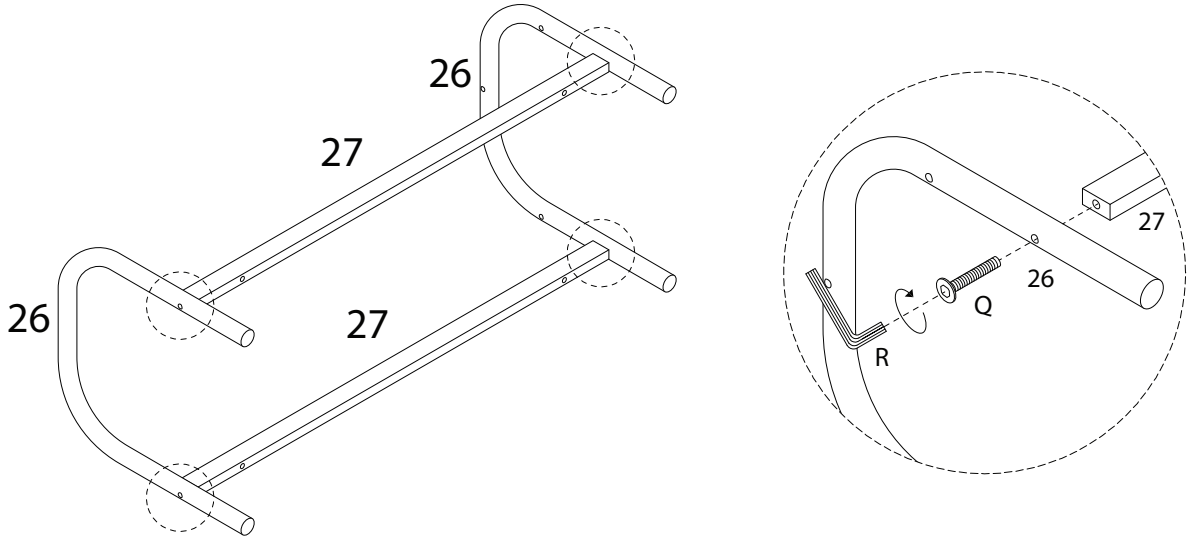


M6
x
40
x 4

R



x 1



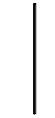
35

19

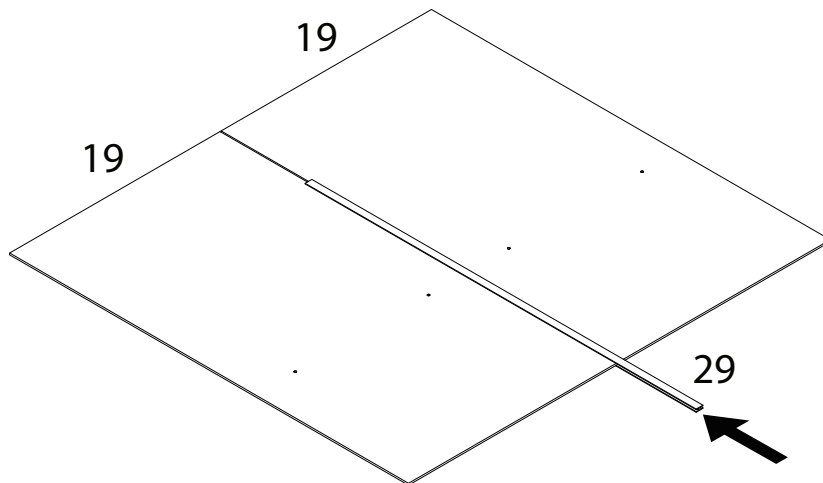


x 2

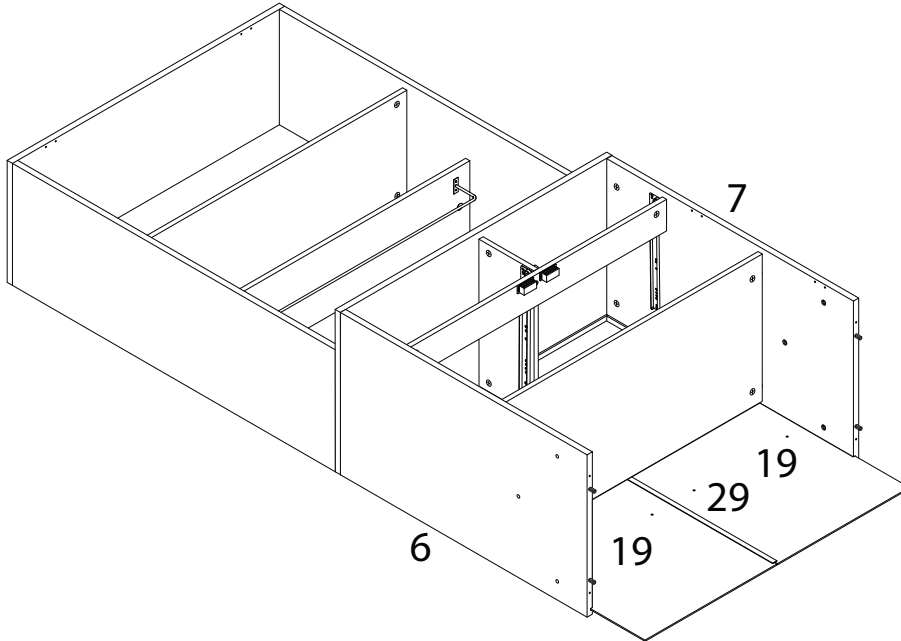
29



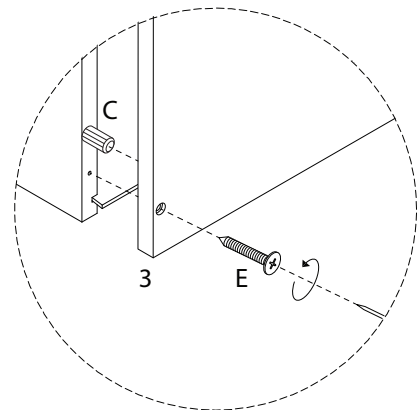
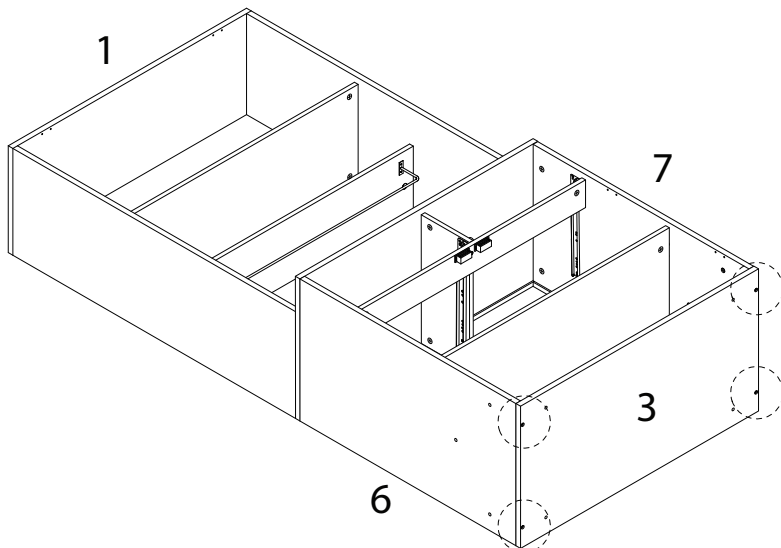
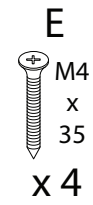
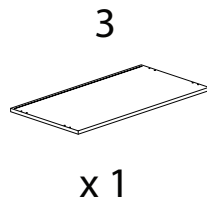
x 1





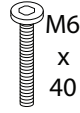
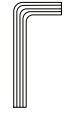
36

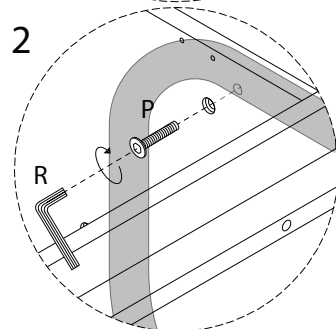
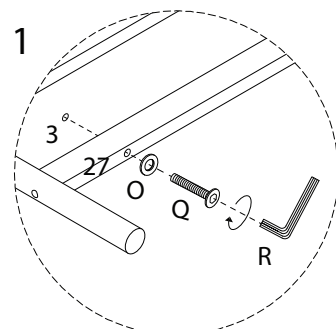
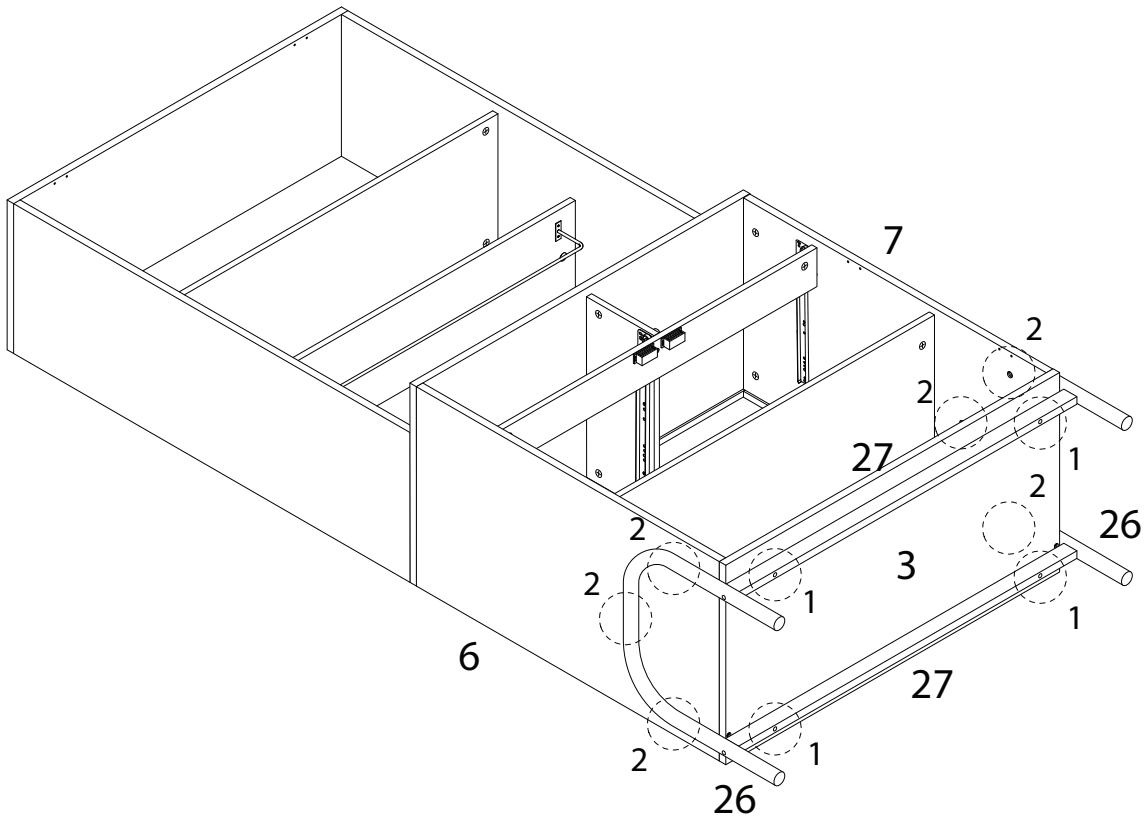


37

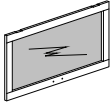

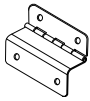





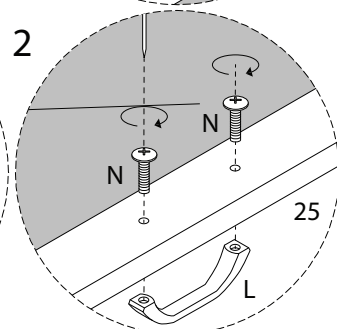
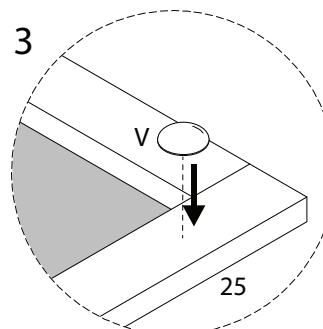
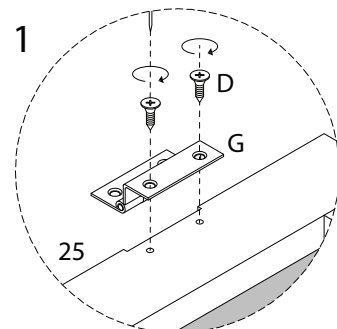
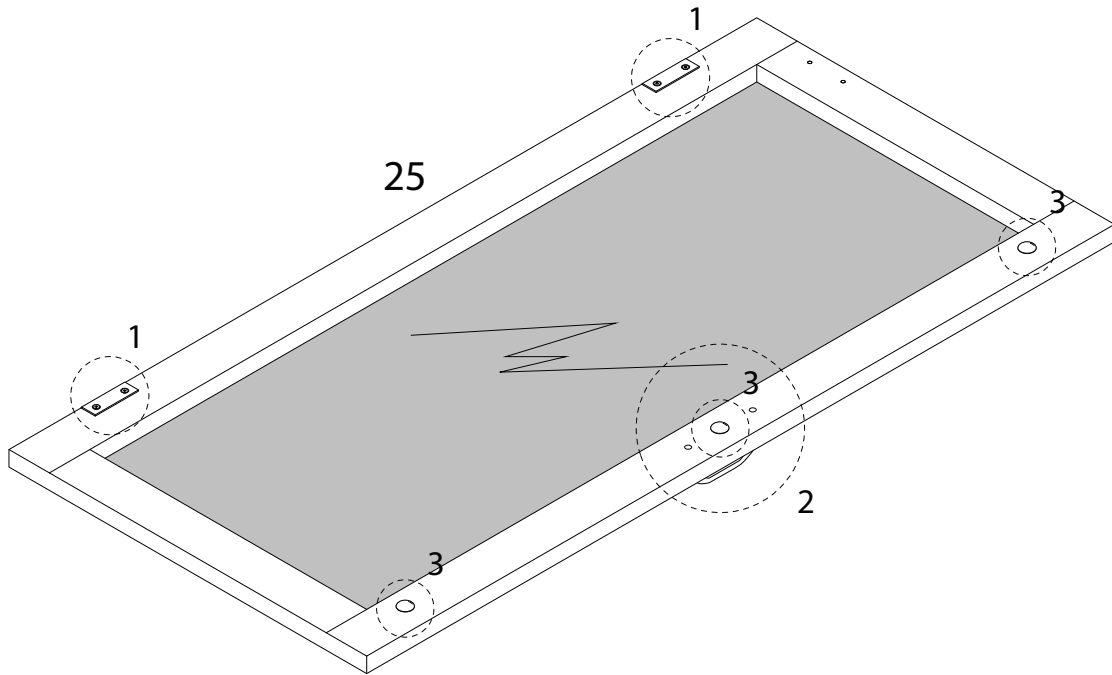
38

<p>O</p>  <p>x 4</p>	<p>P</p>  <p>M6 x 20</p> <p>x 6</p>	<p>Q</p>  <p>M6 x 40</p> <p>x 4</p>	<p>R</p>  <p>x 1</p>
---	--	---	---

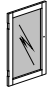
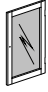

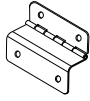
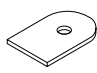
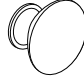



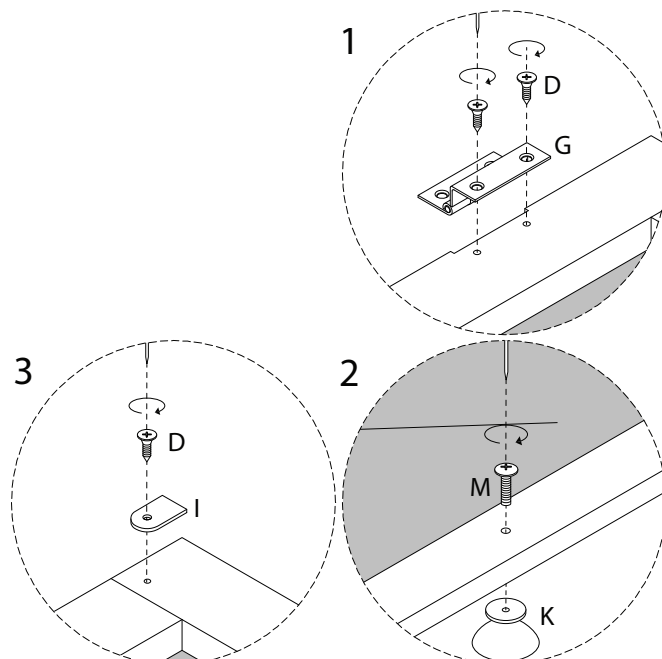
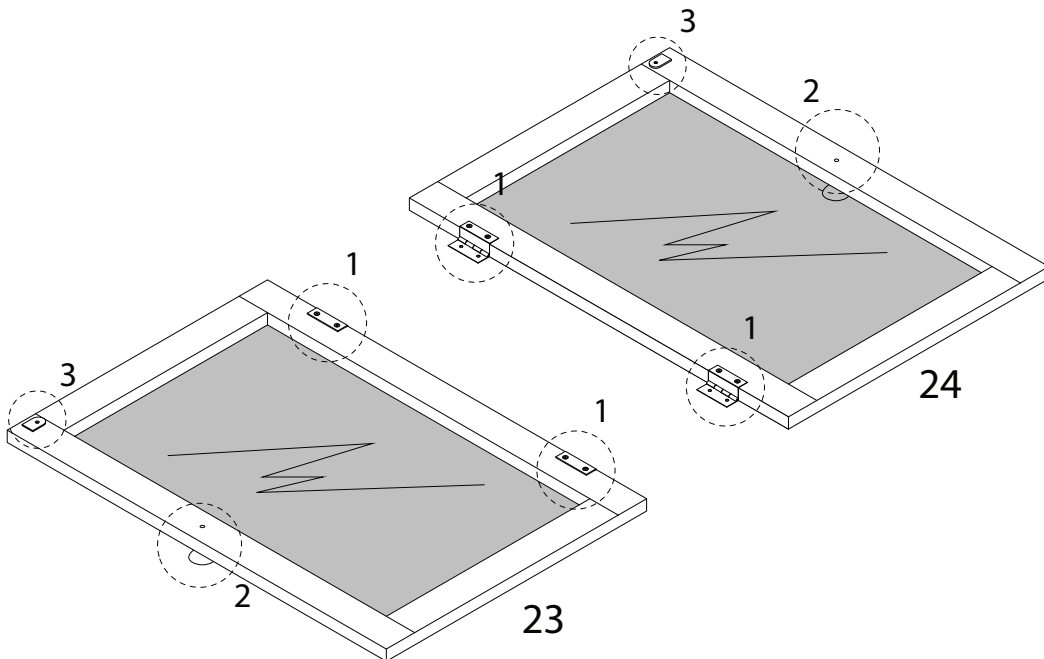
39

25  x 1	D  M3 x 12 x 4	G  x 2	L  x 1	N  M4 x 18 x 2	V  x 3
--	---	---	--	---	---



40

23  x 1	24  x 1	D  M3 x 12 x 10	G  x 4	I  x 2	K  x 2	M  M4 x 20 x 2
--	--	---	---	--	---	--



41

D



M3
x
12

x 4

F



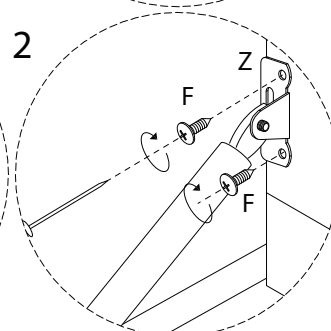
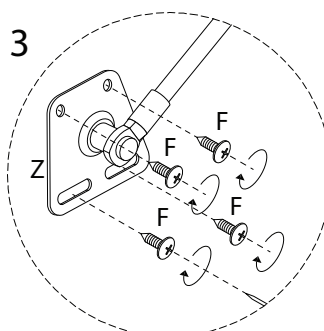
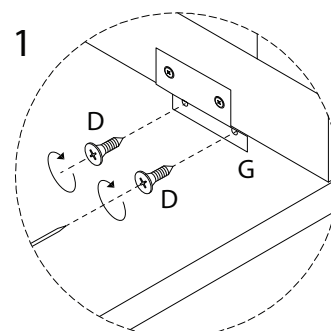
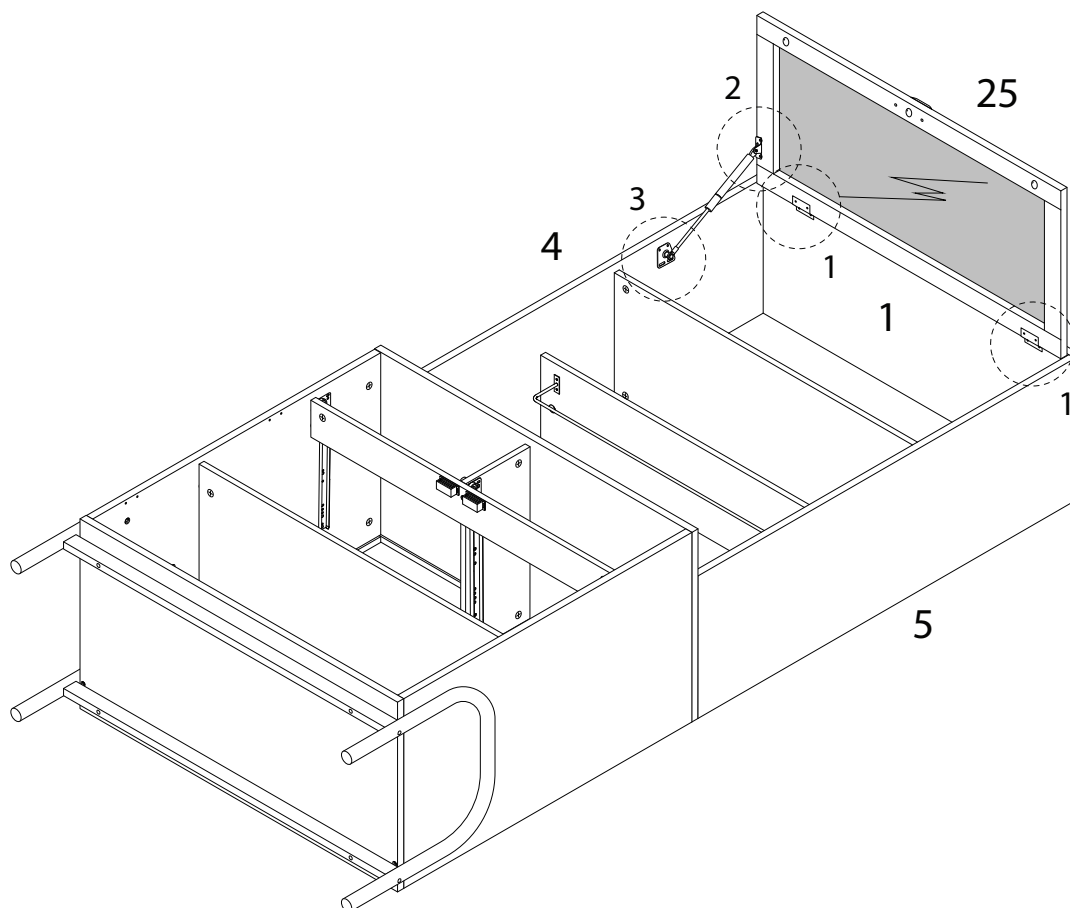
M4
x
12

x 6

Z



x 1



42

D

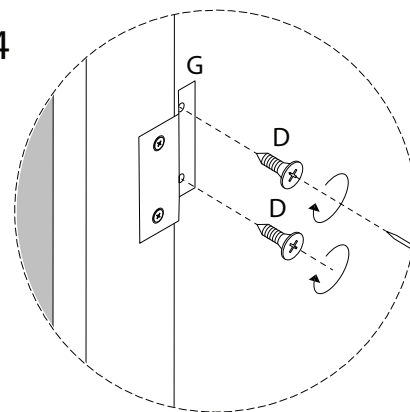
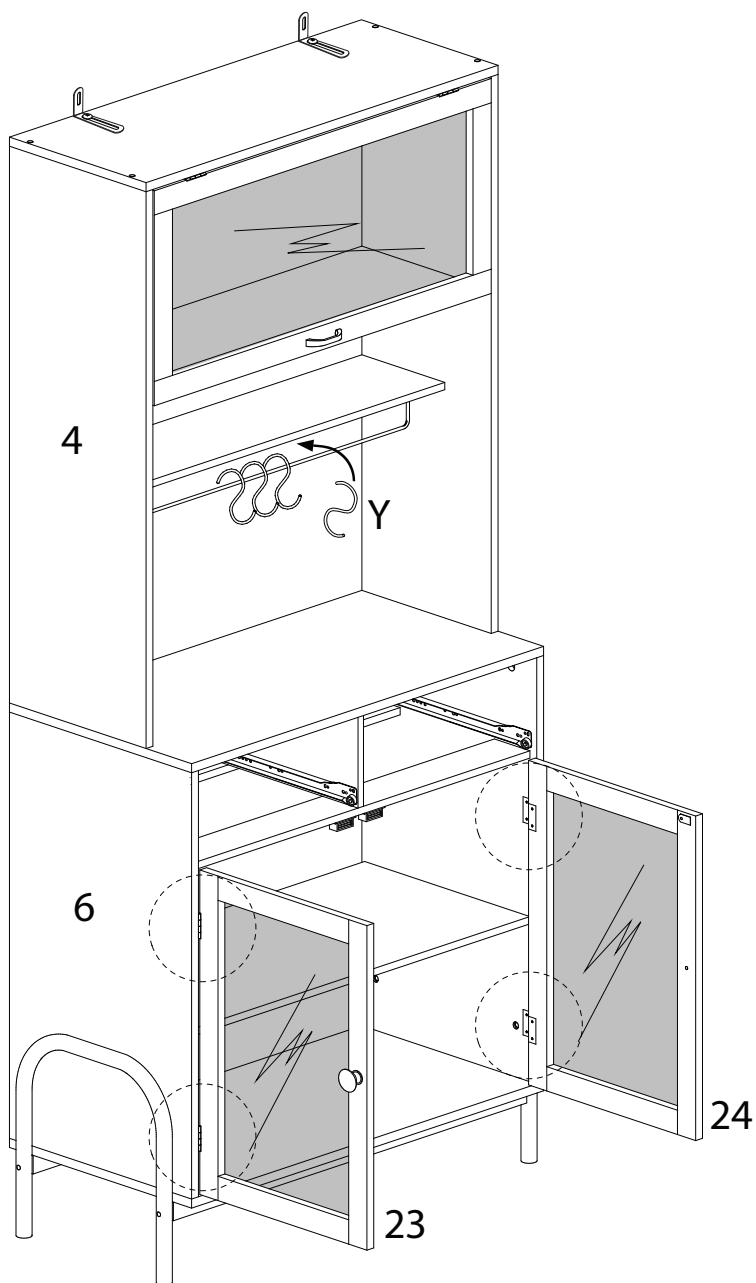


x 8

Y



x 4



43

S



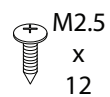
x 12

T

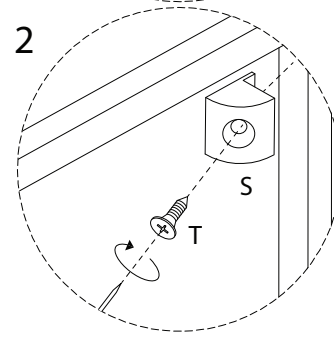
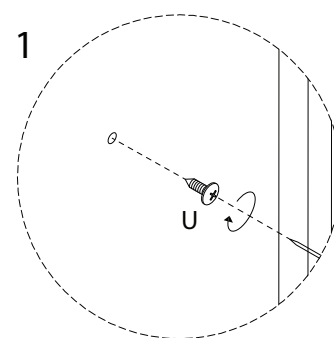
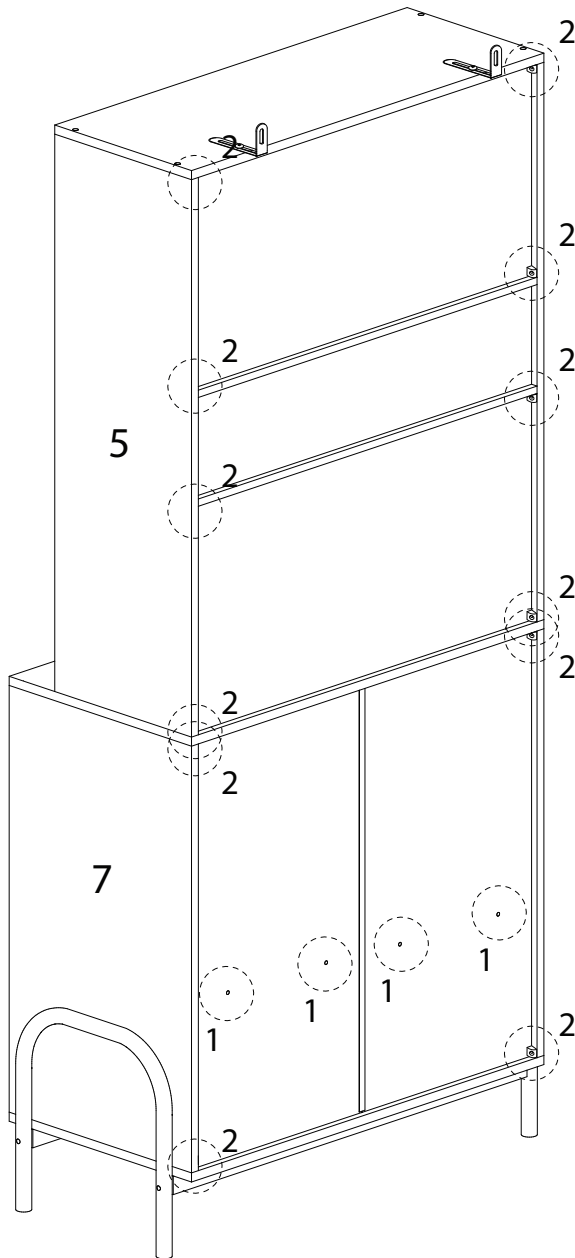


x 12

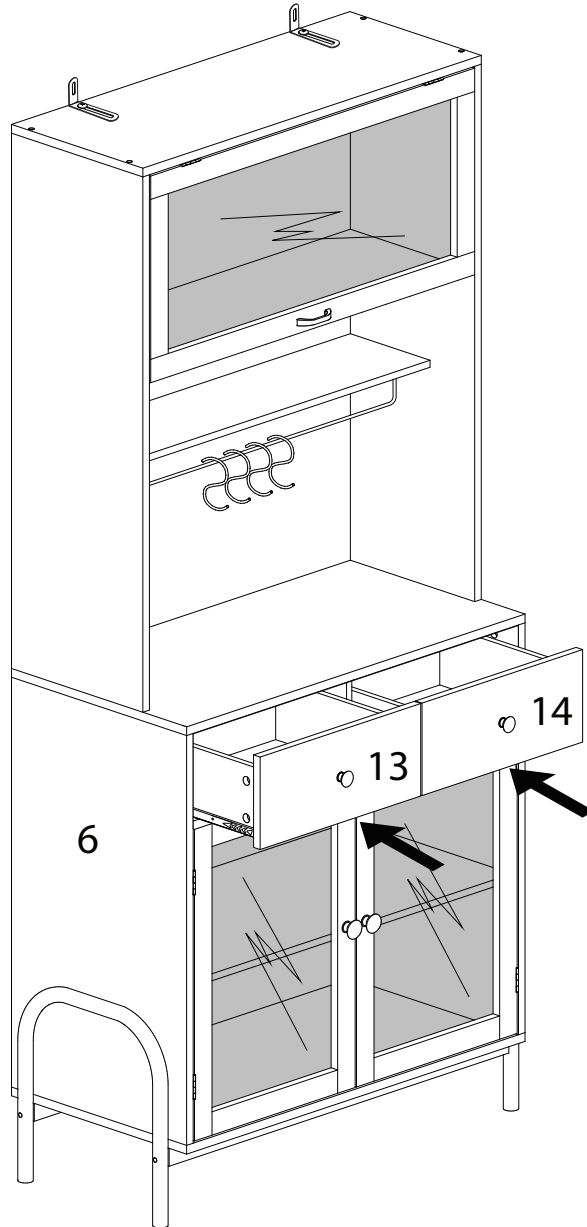
U



x 4



44



45

E
M4
x
35
x 2

X
x 2

