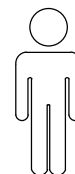
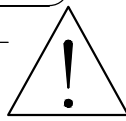
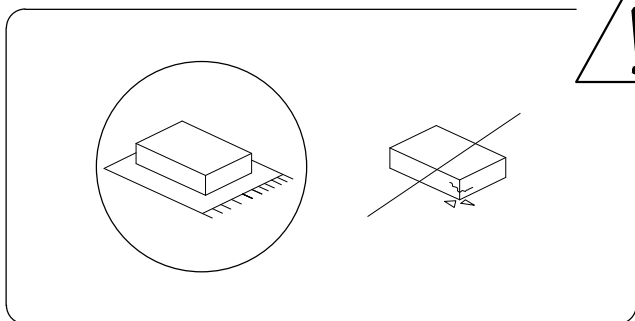
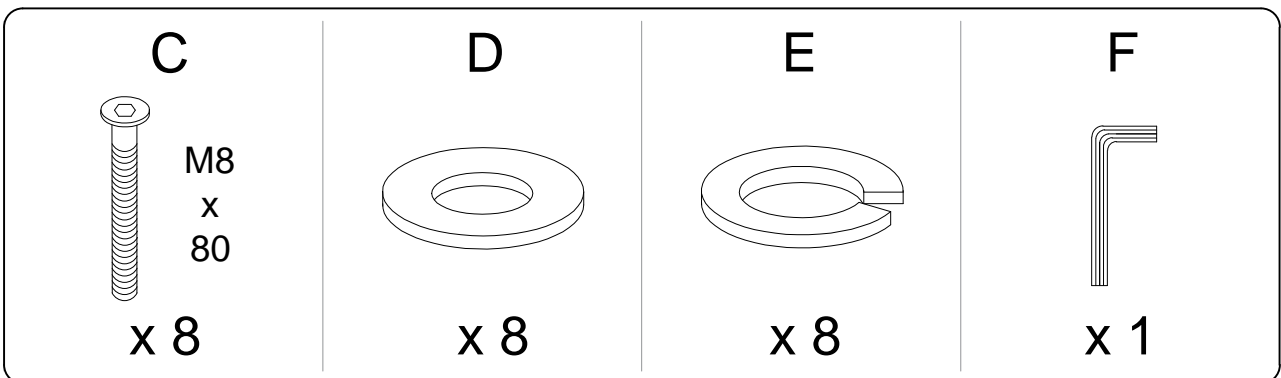
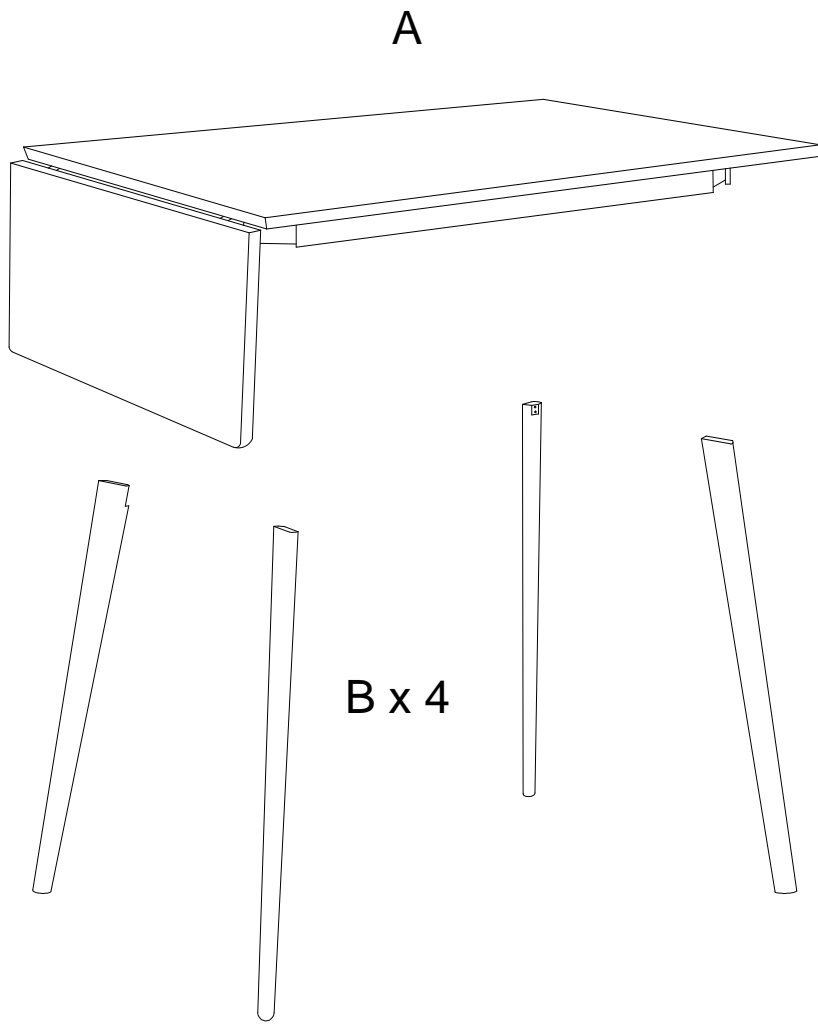
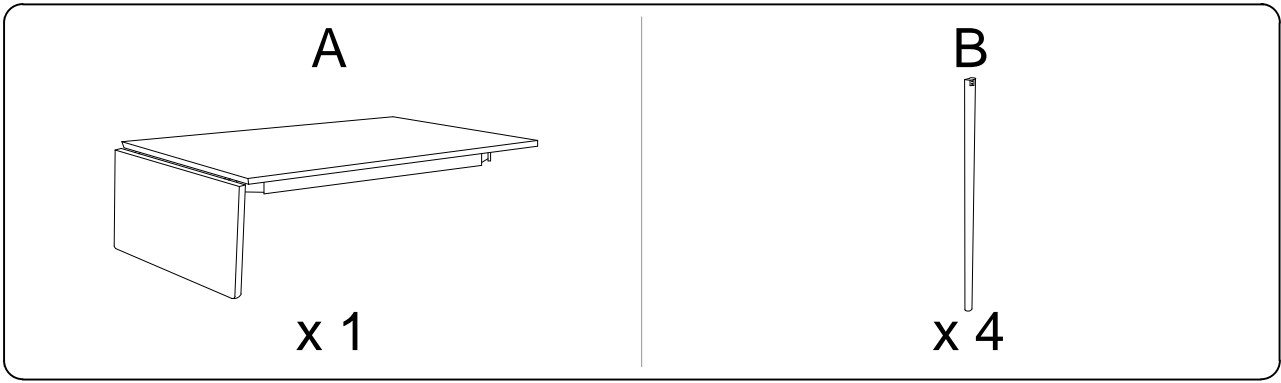


30'



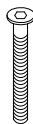
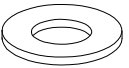
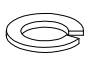
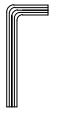


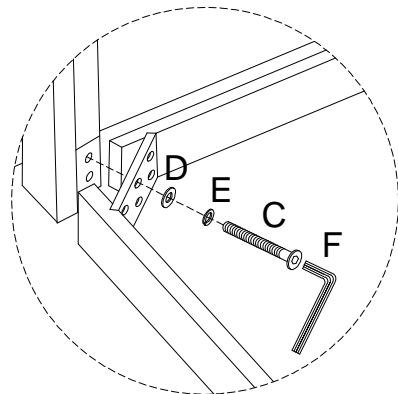
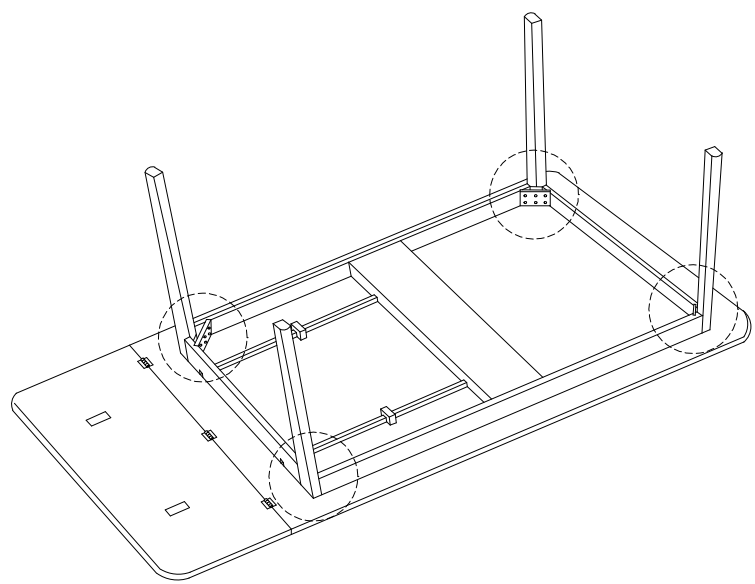
1

1/3



1

A  x 1	B  x 4	C  M8 x 80 x 8	D  x 8	E  x 8	F  x 1
--	--	---	---	--	--



2

