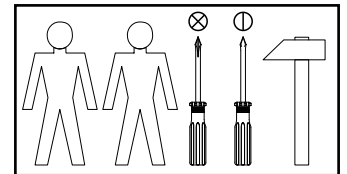


A	B	C	D
1	D13-1129	710x210x22	1/1
2	D13-1130	710x210x22	1/1
3	D13-1127	350x210x22	1/1
4	D13-1128	350x210x22	1/1
5	D13-185	1996x160x22	1/1
6	D13-186	1996x160x22	1/1
7	D13-1194	1430x160x18	1/1
8	D13-214	1430x70x18	1/1
9	D13-215	1430x160x18	1/1
10	MZ1-705	242x70x27	1/1
11	ZZ1-719	1983x70x27	1/1
12	ZZ1-757	1880x25x30	1/1



60min

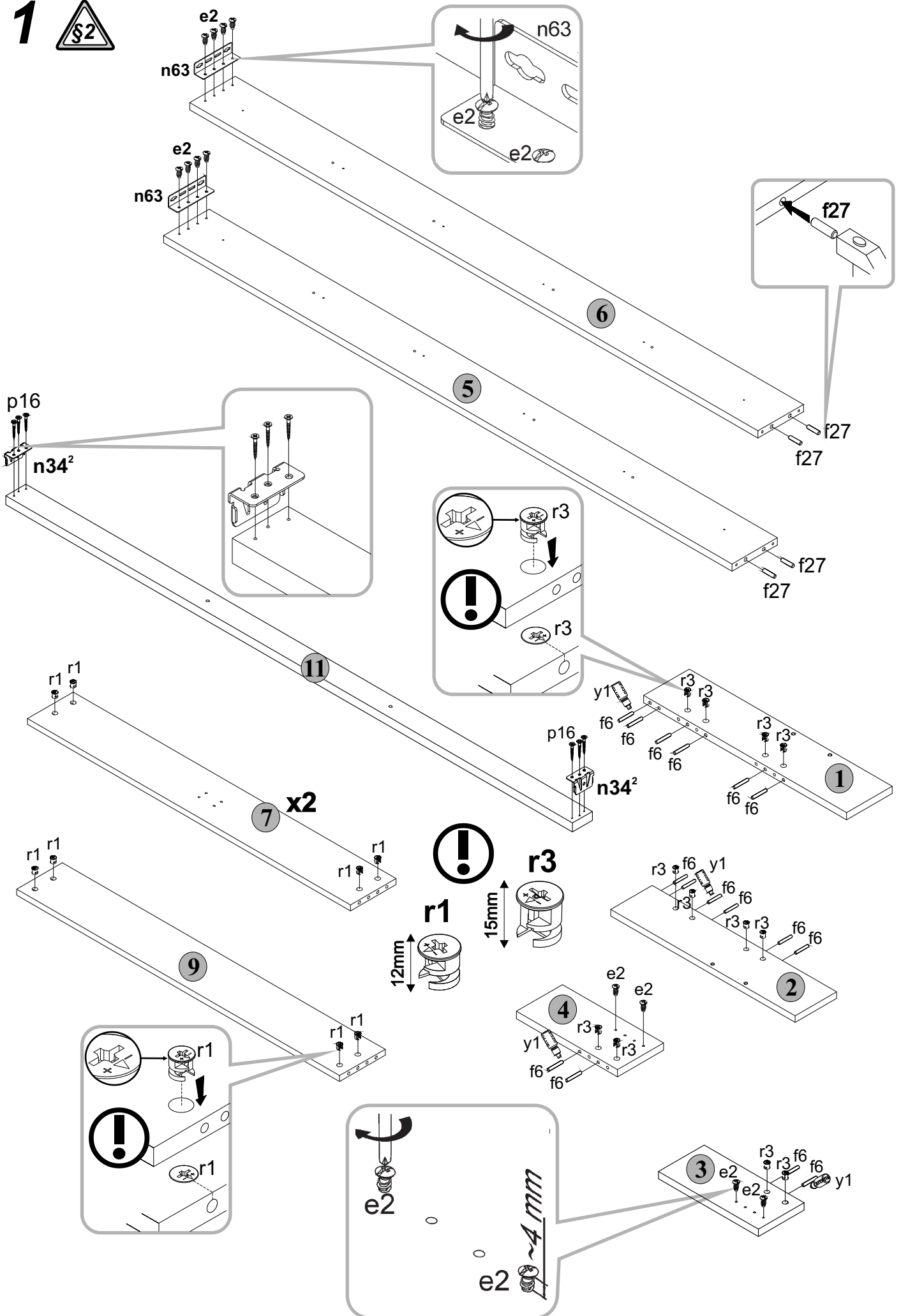


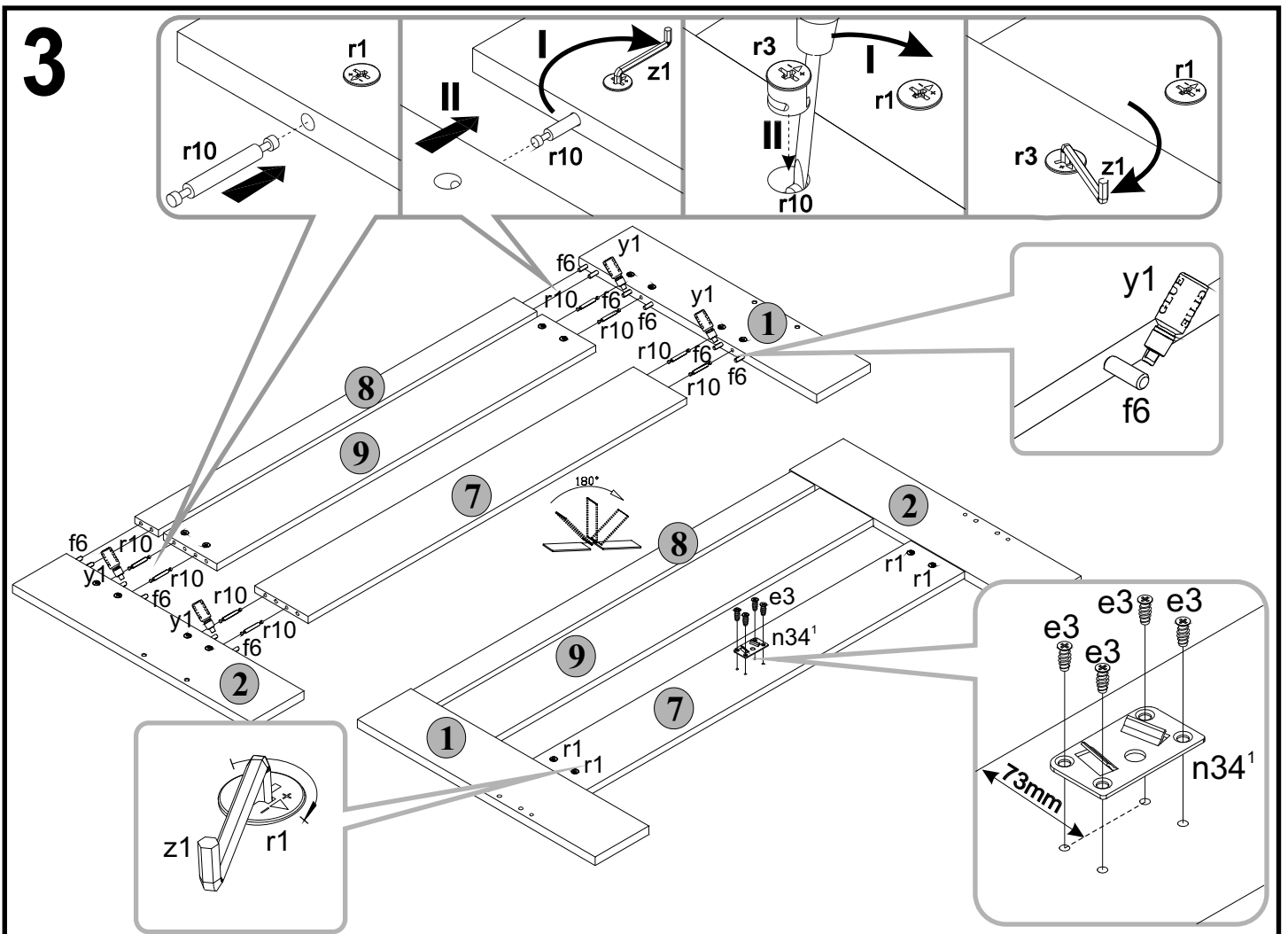
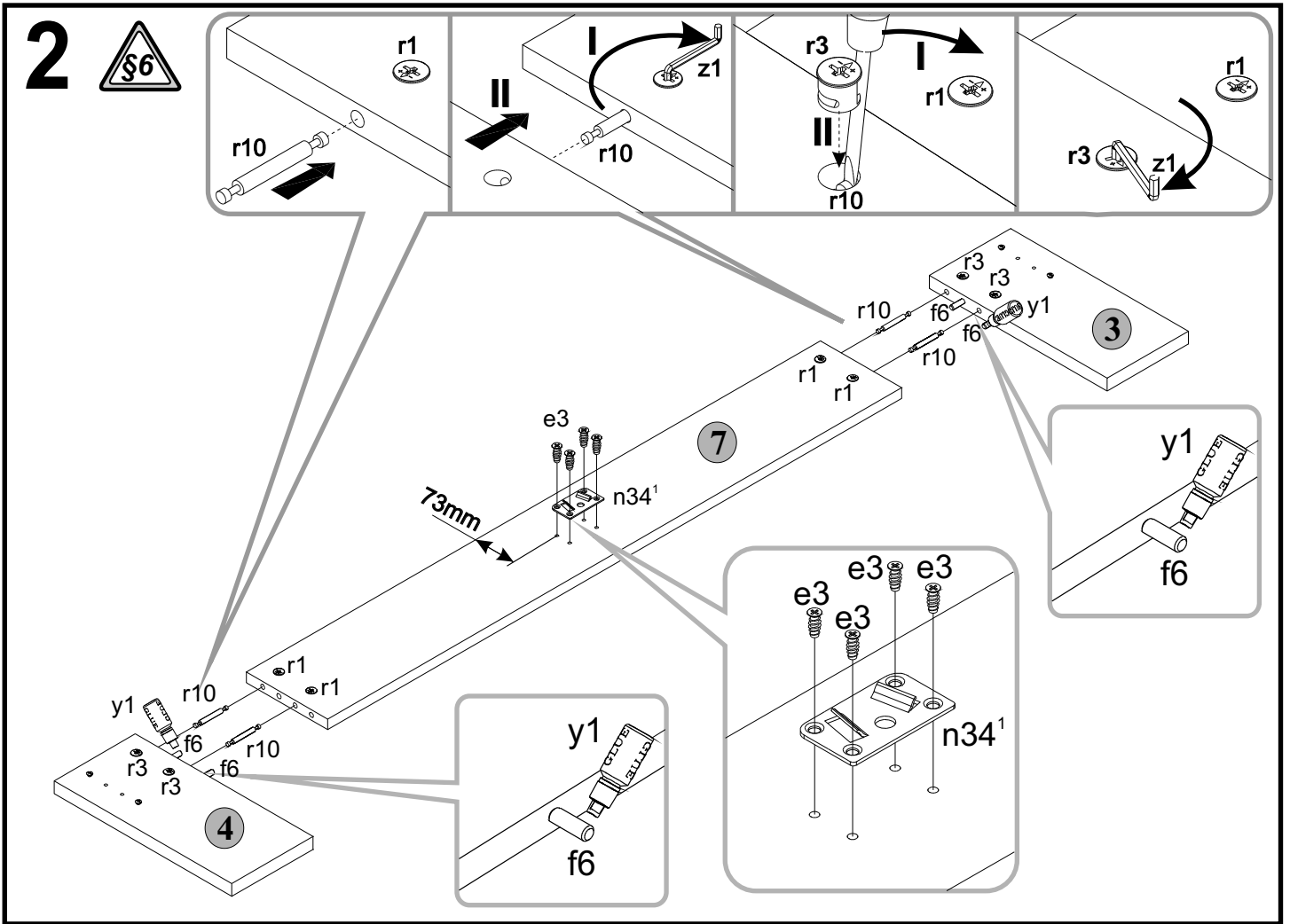
r1
12mm

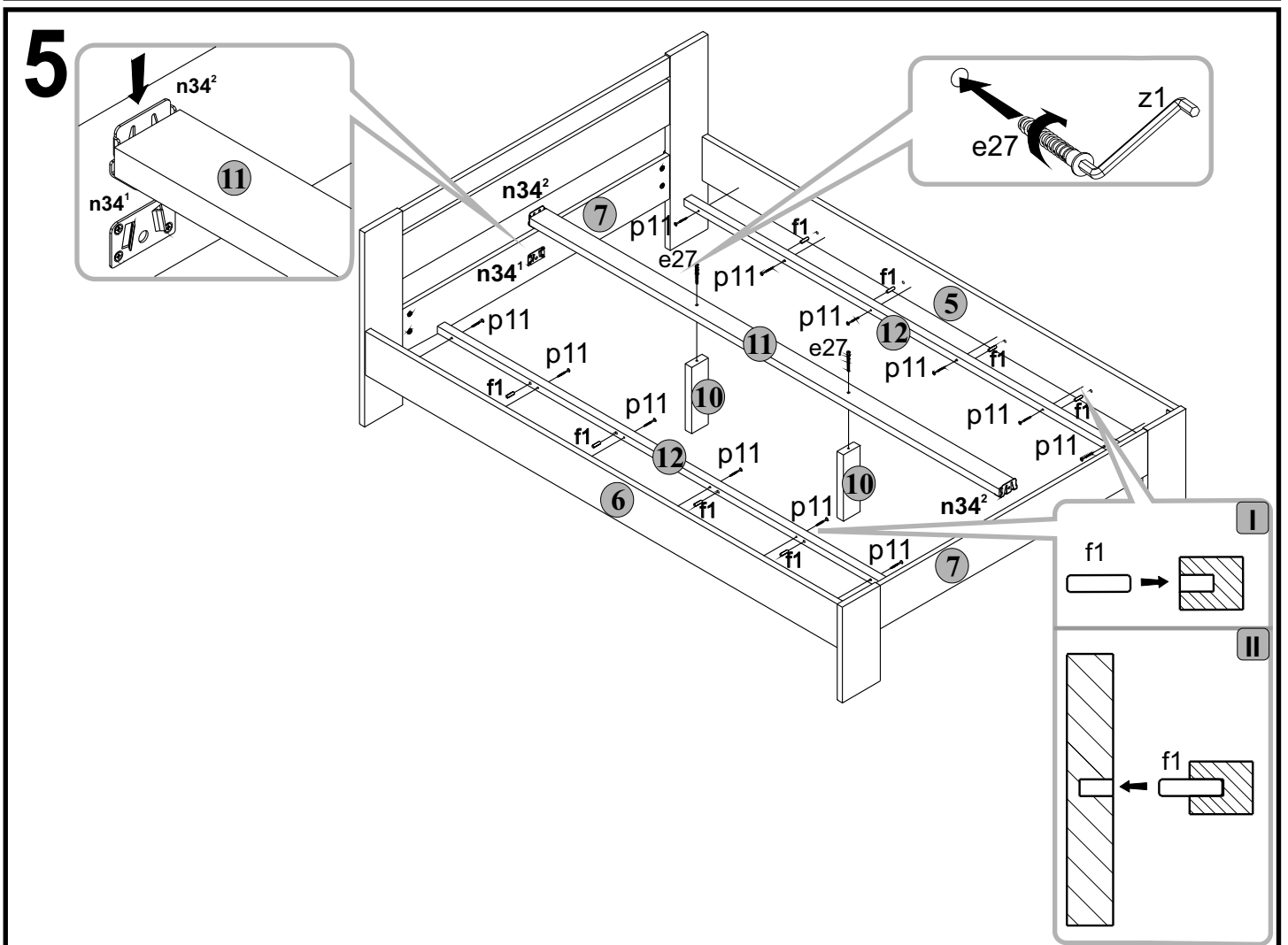
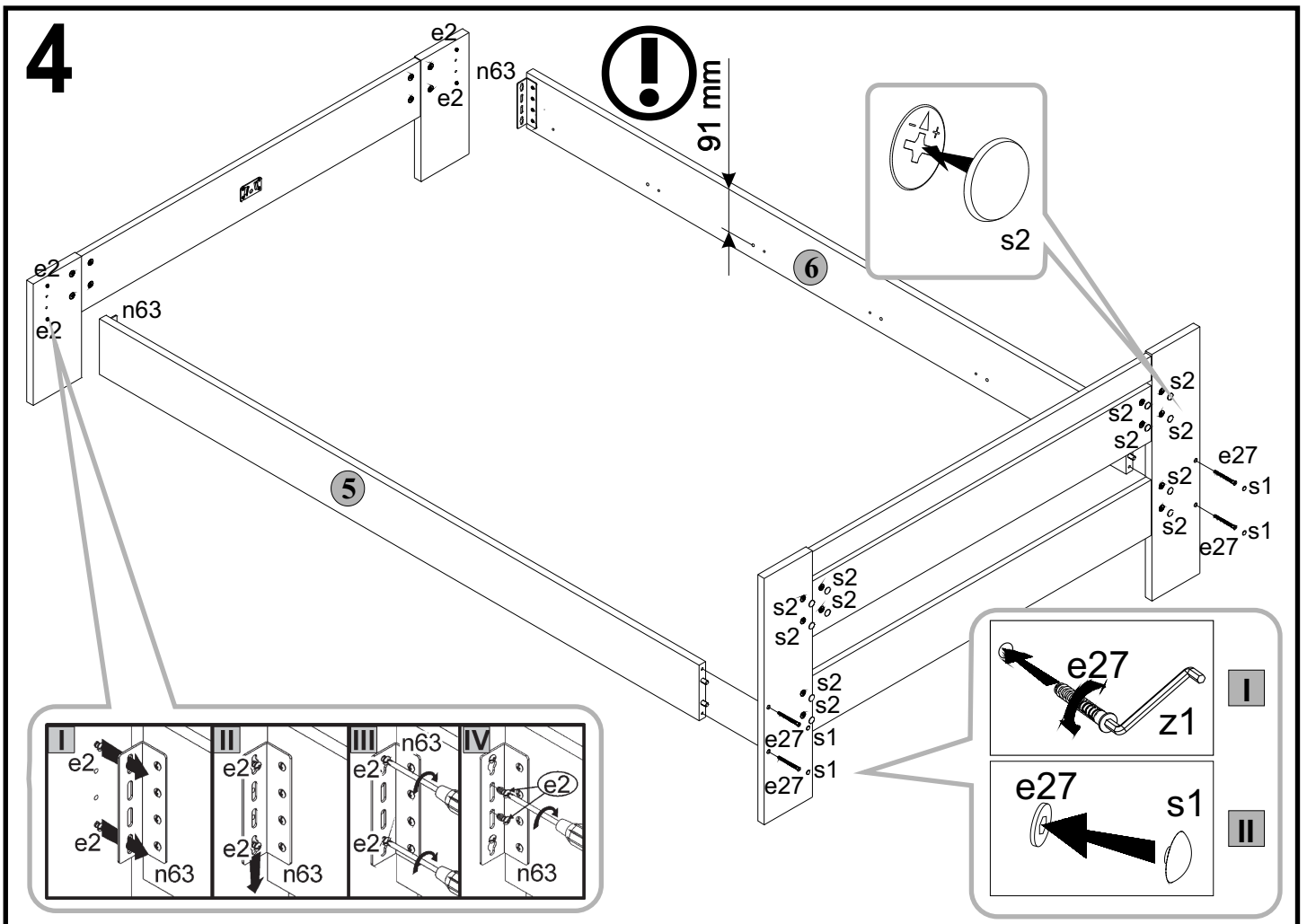
r3
15mm

16x φ4x35 mm p6	16x φ6.3x13 mm e2	8x φ6x13 mm e3	4x φ10x5,2x20 mm o89	4x φ4x40 mm p10	8x φ8x30 mm f1
2x n34¹	2x n34²	2x 130x34x34/2mm n63	6x φ7x70 mm e27	16x φ8x50 mm f6	4x φ10x40 mm f27
12x φ15x15mm #22 r3	12x r10	4x s1	12x ø16 s2	6x φ3,5x25 mm p16	12x φ15x12mm #16 r1
				1x 15g y1	1x z1

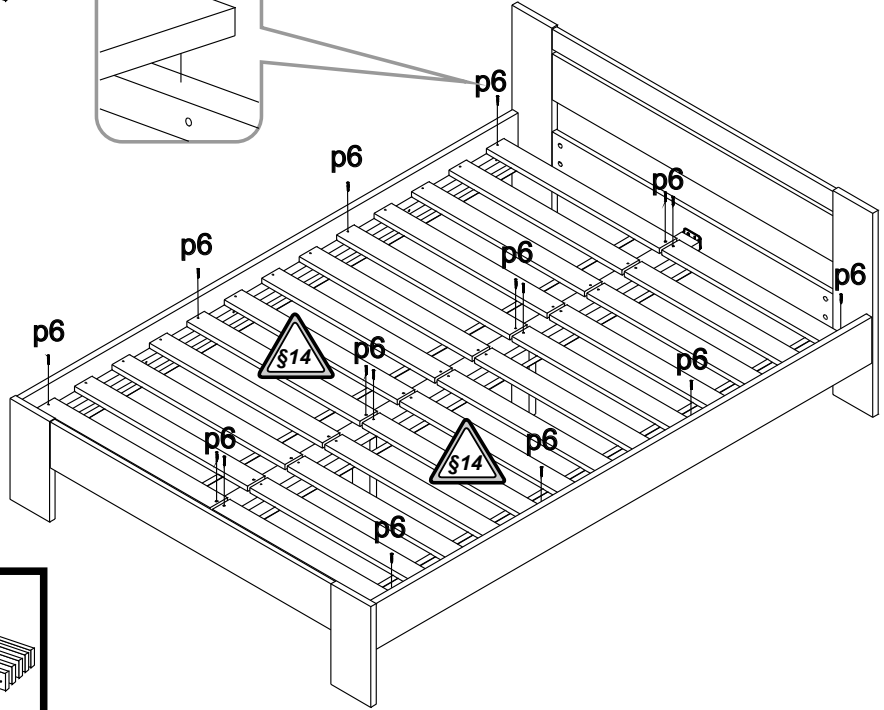
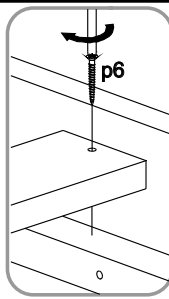
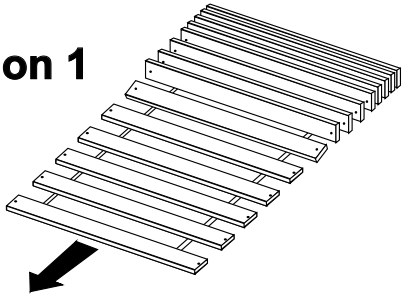
1



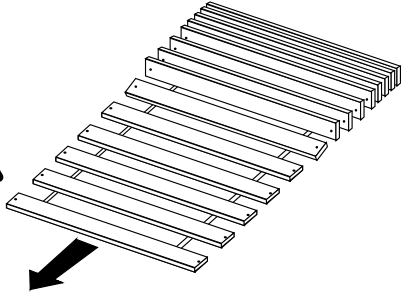




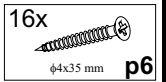
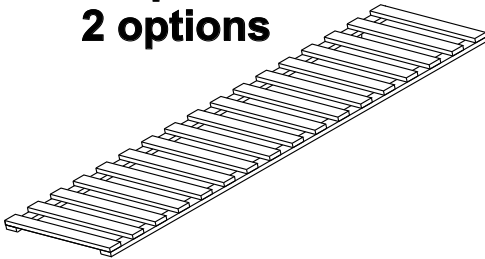
Option 1



6



2 Optionen 2 options



Option 2

