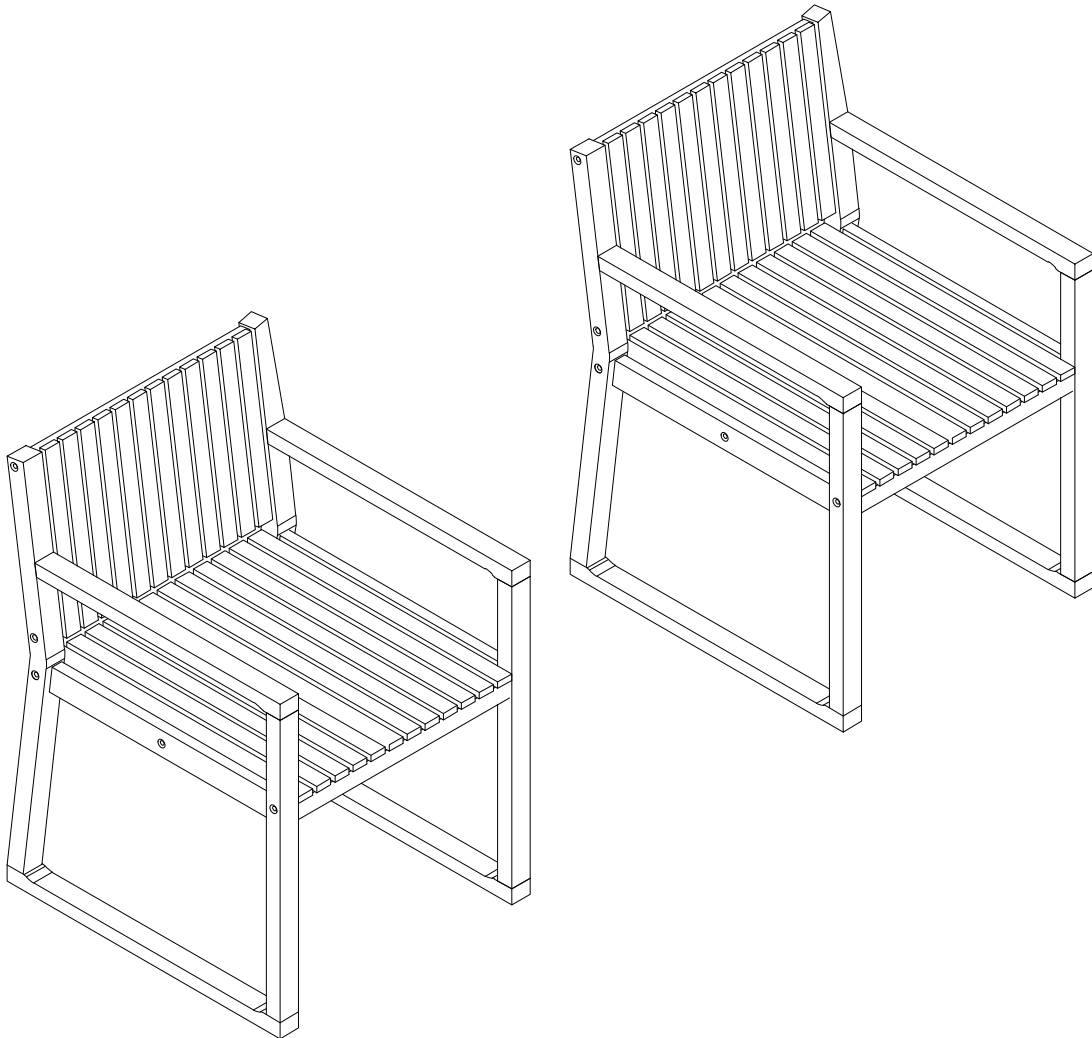
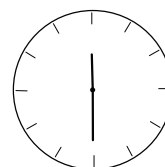
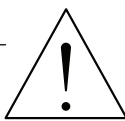
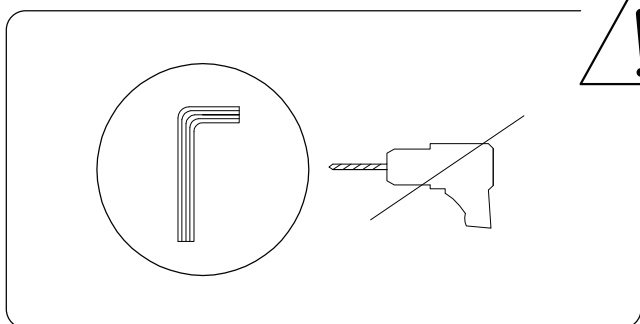
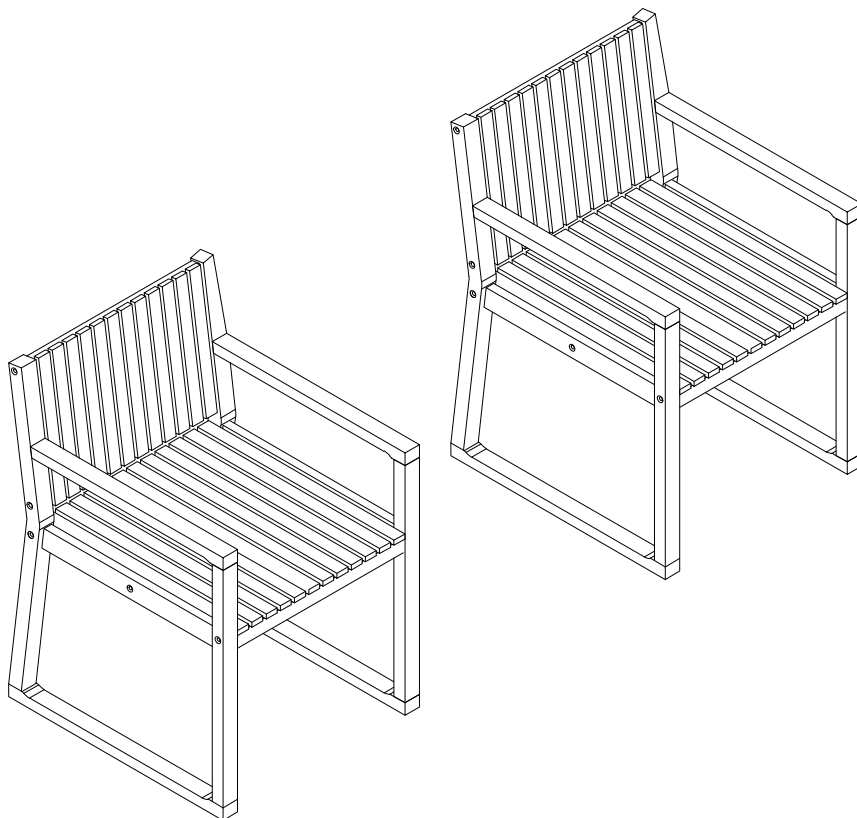
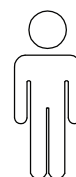
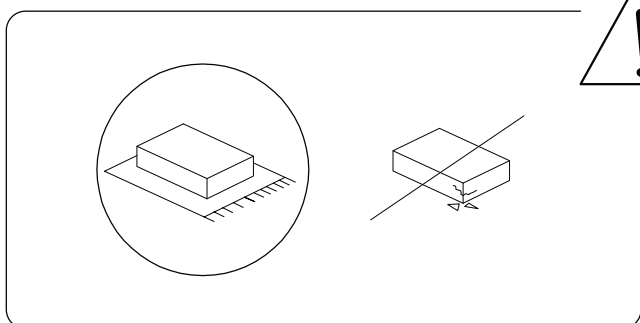


# SASSARI II

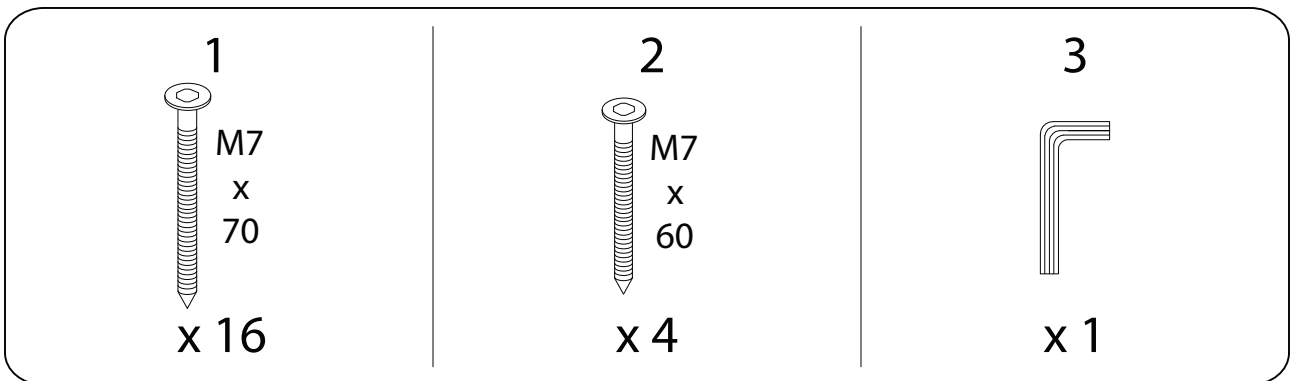
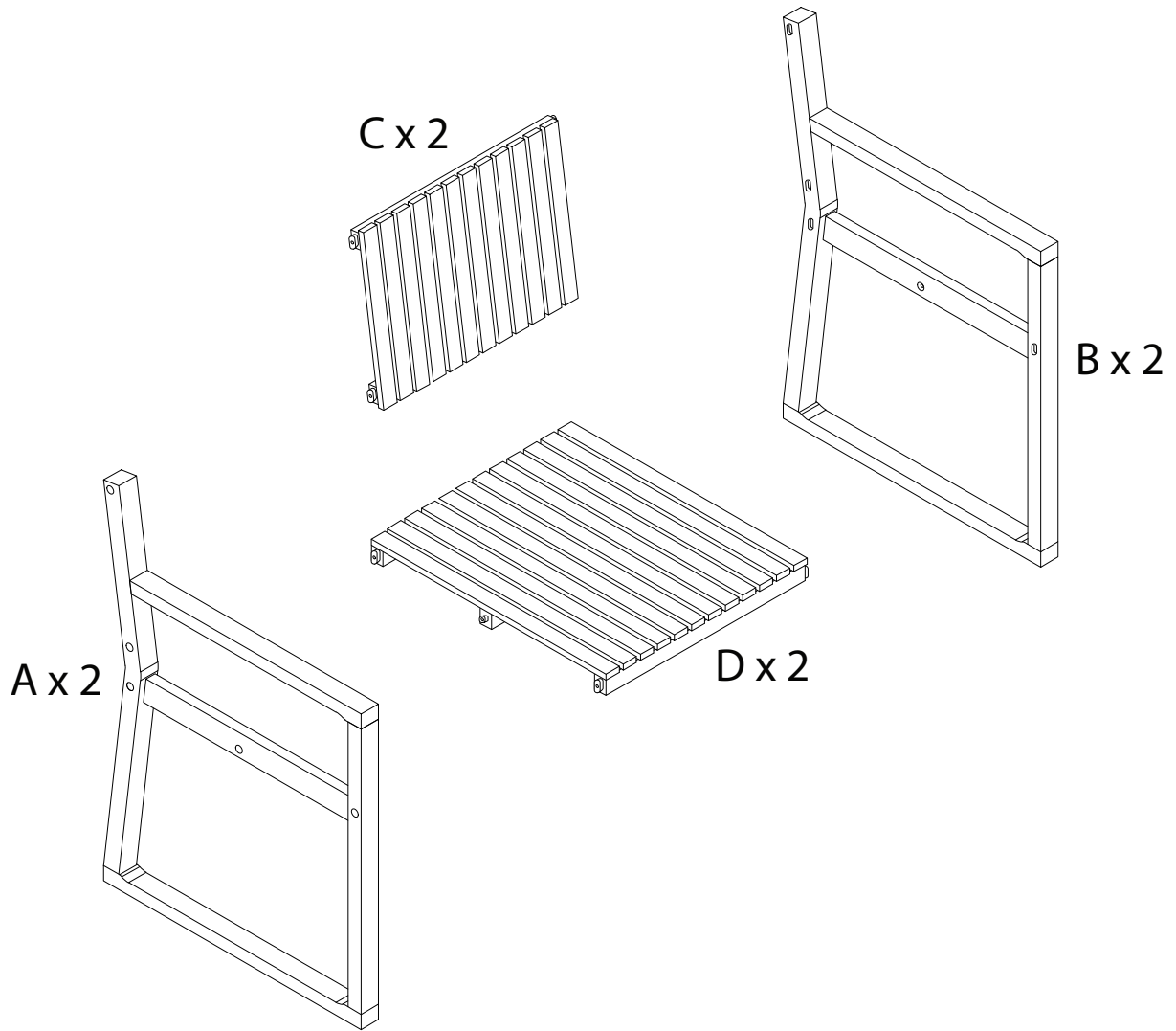
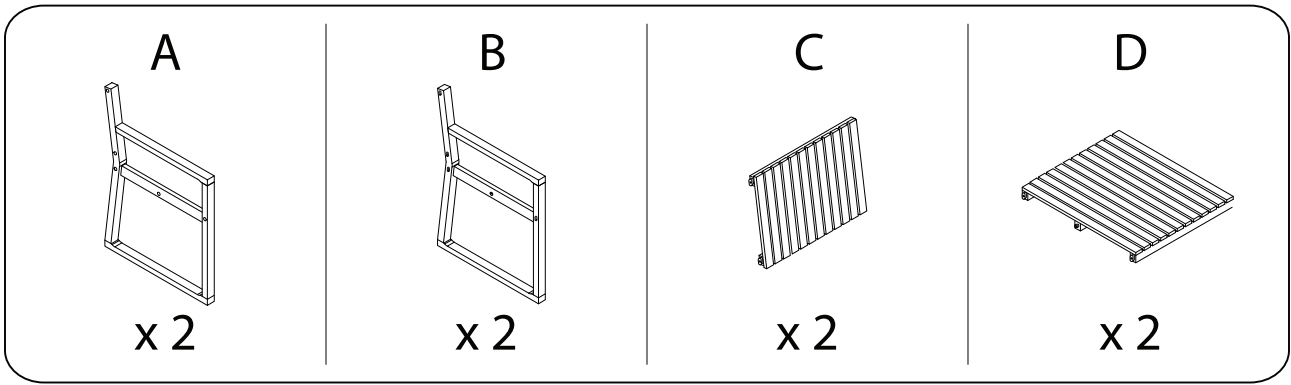




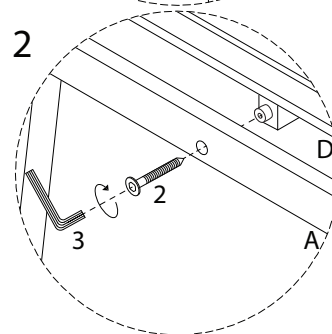
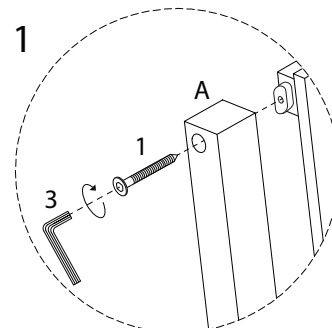
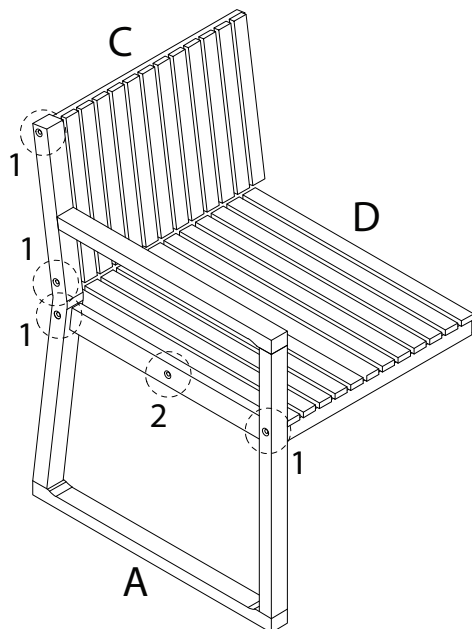
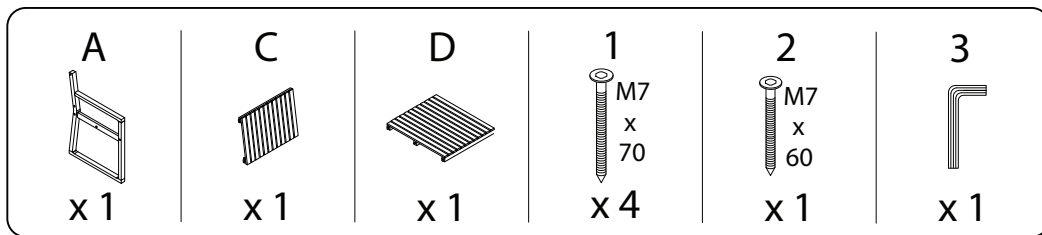
30'



2



1 x 2



2 x 2

