

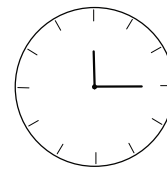
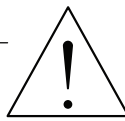
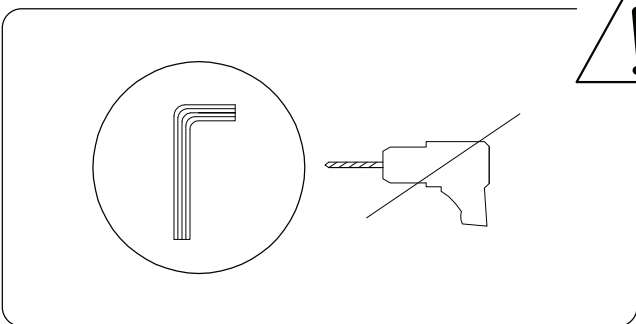
# EIDE



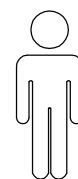
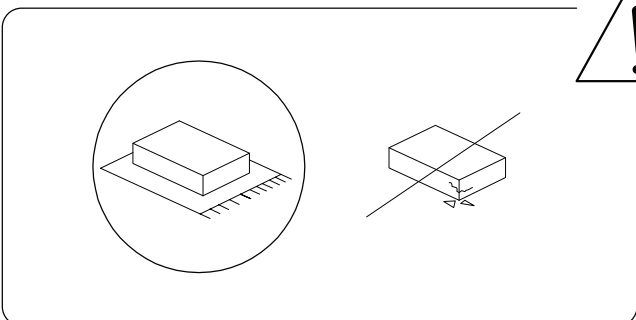
A



B

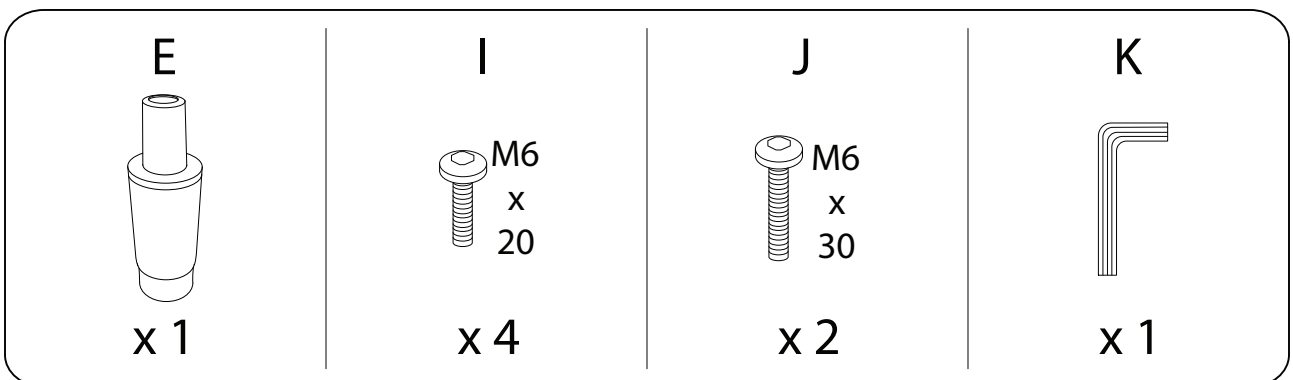
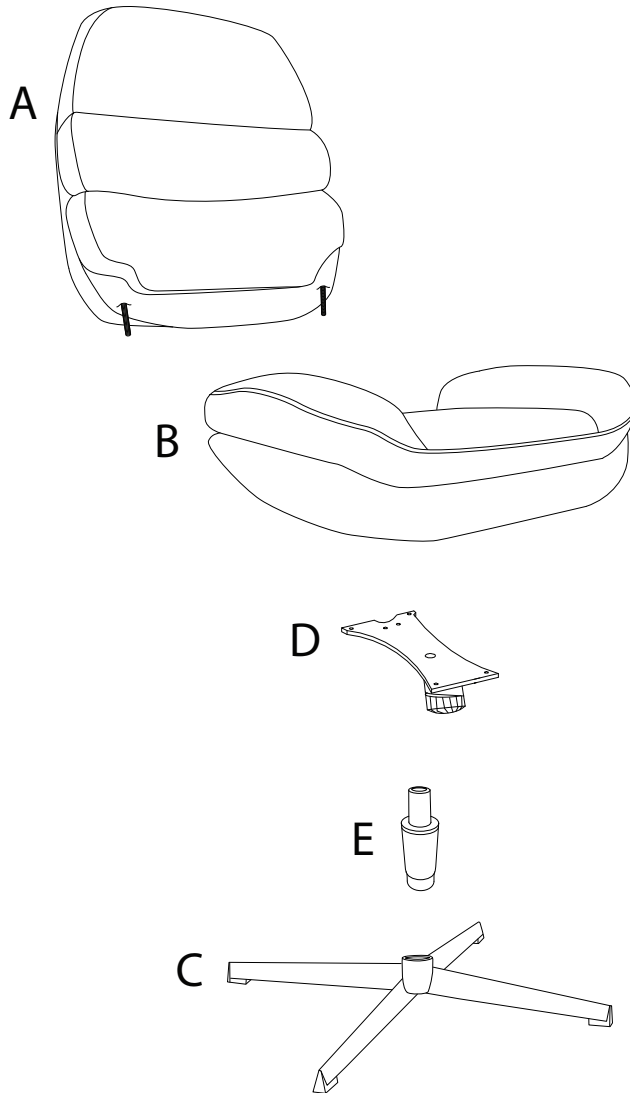
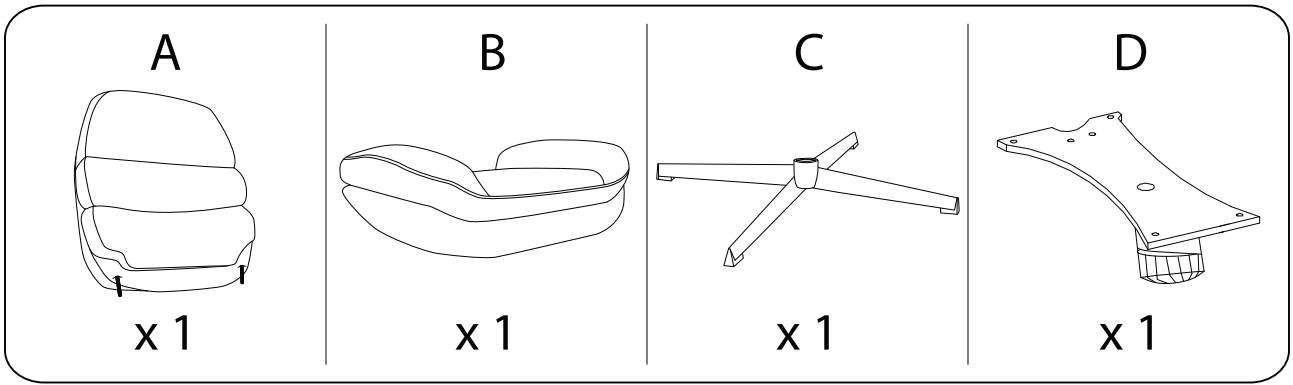


15'



2

# A



1

A

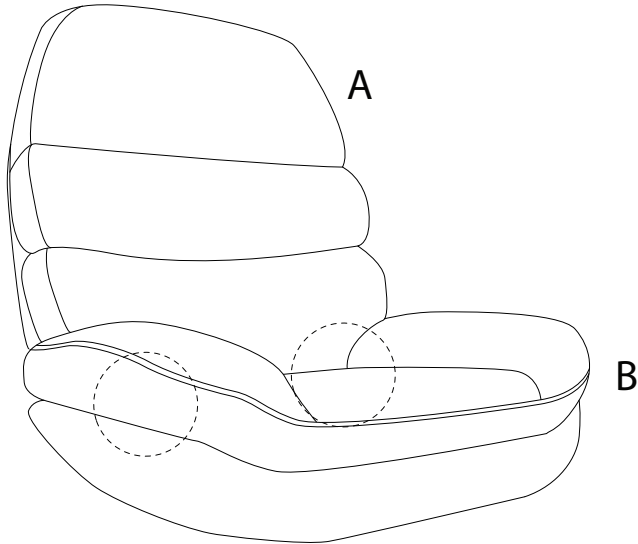


x 1

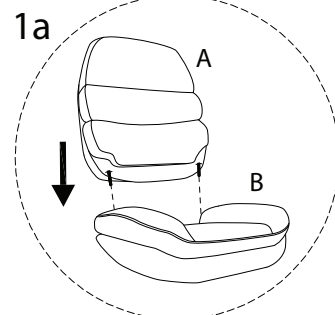
B



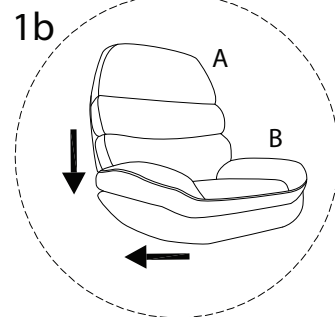
x 1



1a

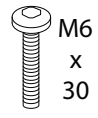


1b



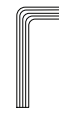
2

J

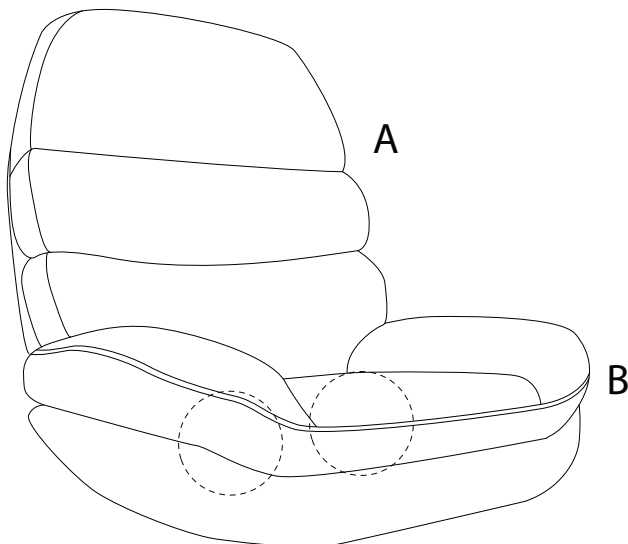


x 2

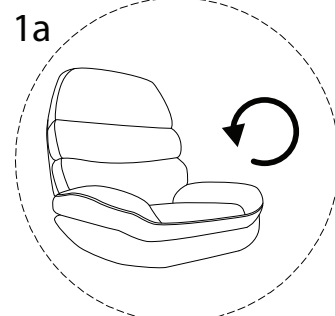
K



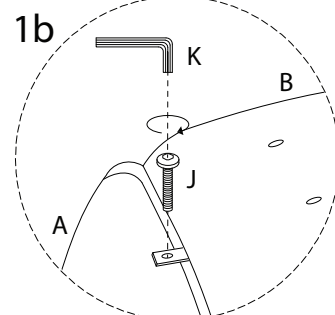
x 1



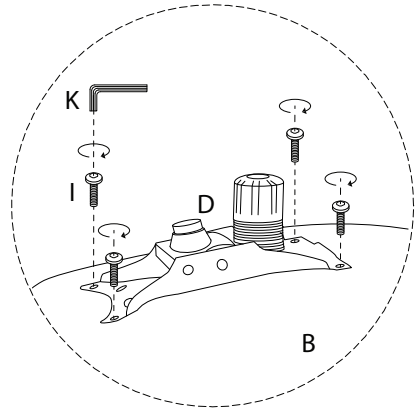
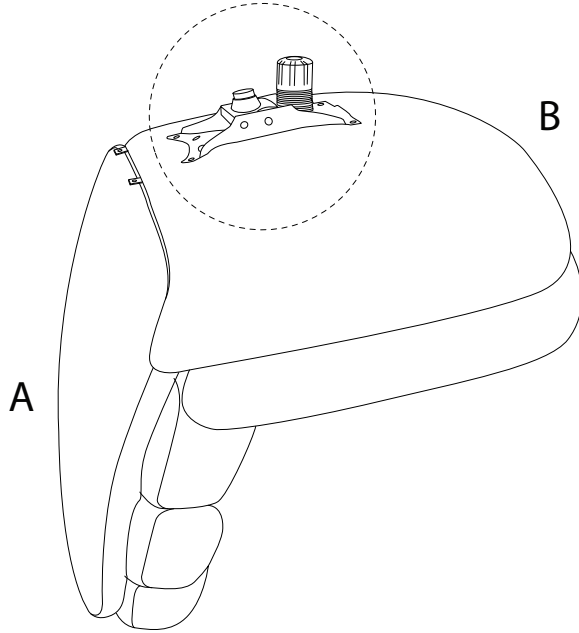
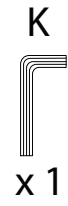
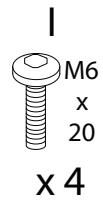
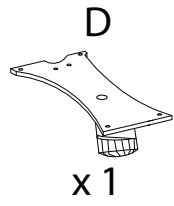
1a



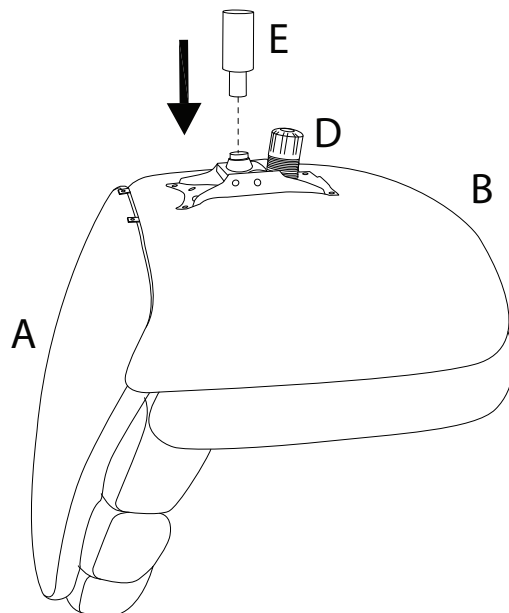
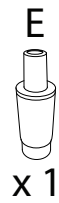
1b



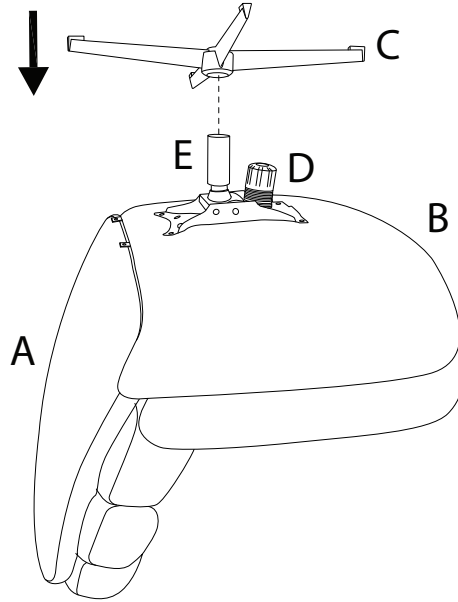
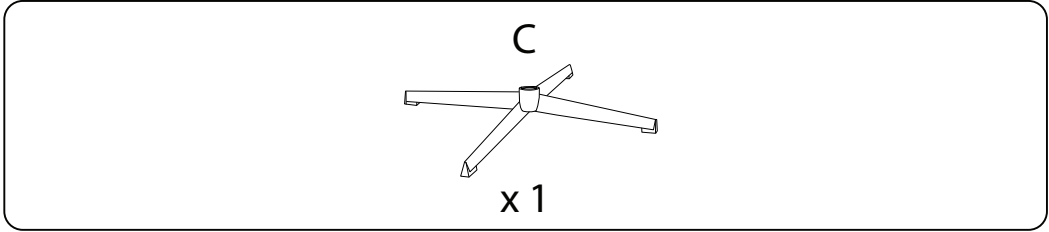
3



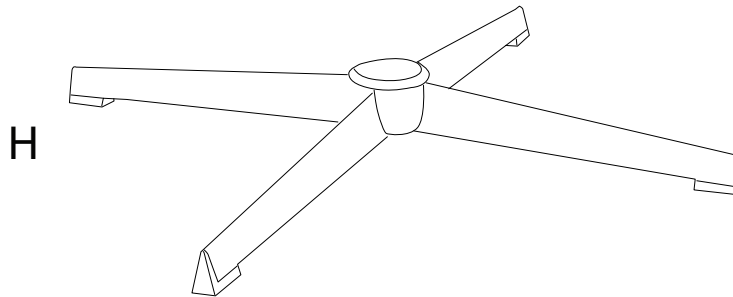
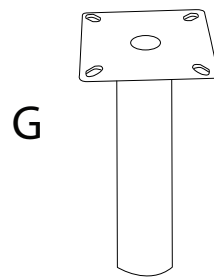
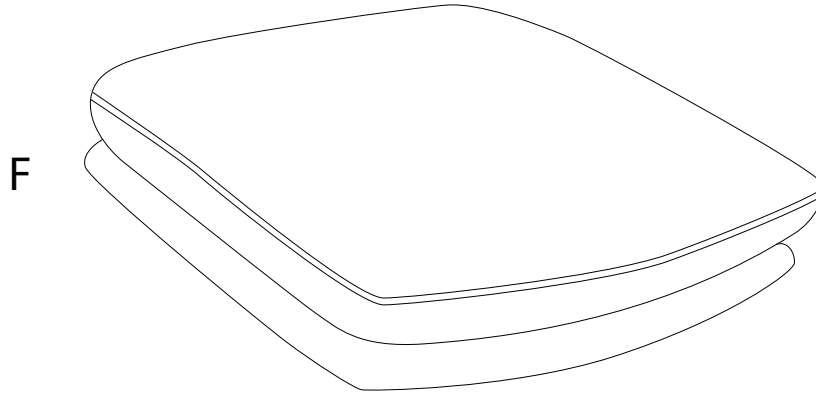
4

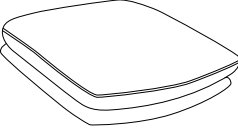
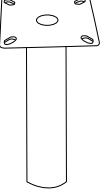
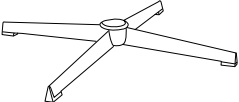




5

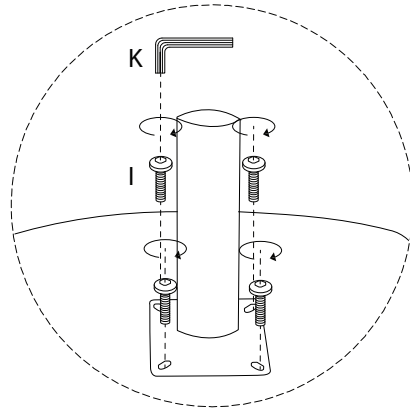
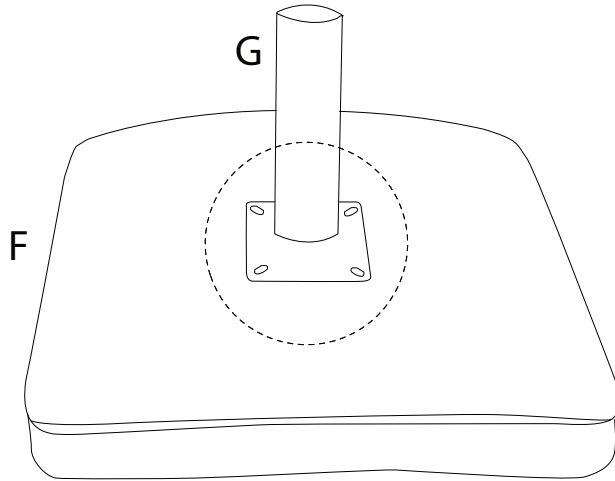
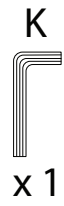
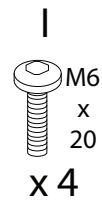
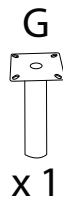
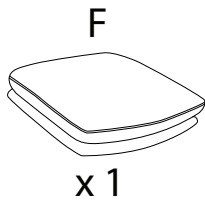


# B



F	G	H	I	K
			 M6 x 20	
x 1	x 1	x 1	x 4	x 1

1



2

