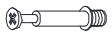

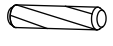


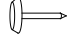

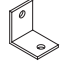





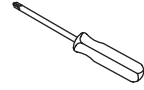
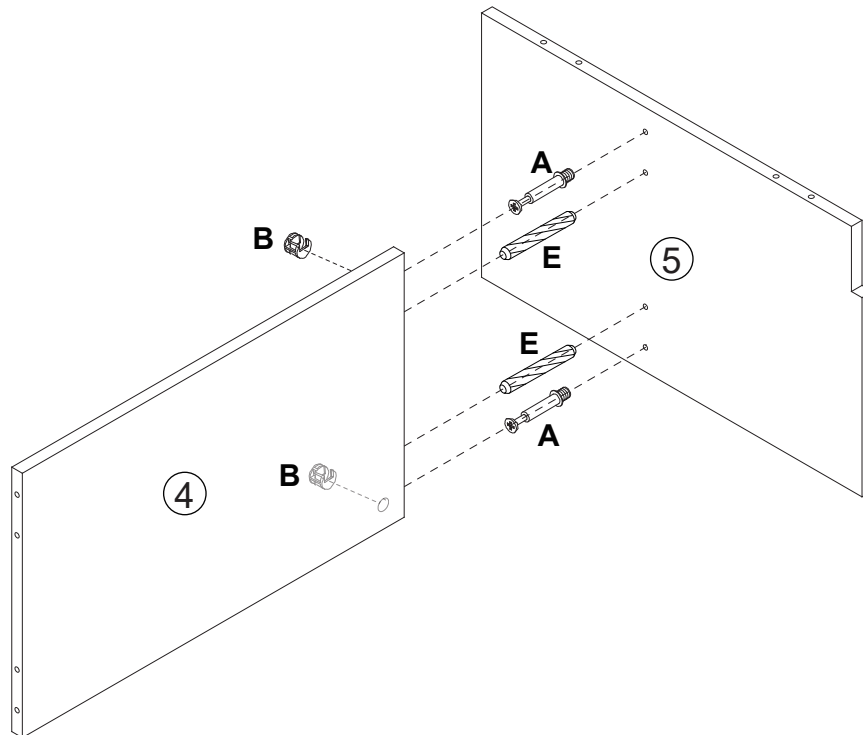





A	x34	B	x34	C	x30	D	x8	E	x4	F	x8
											
M6*35mm		φ 15*10mm		M8*30mm		M4*40mm		M8*50mm			
G	x6	H	x3	I	x2	J	x1	K	x4		
											
M6*12mm								M4*12mm			

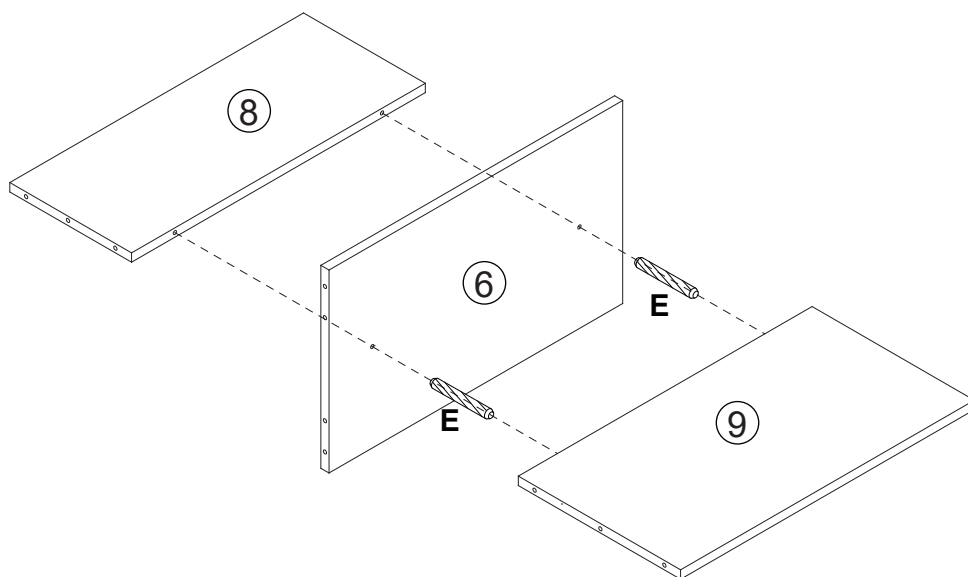
 45 MIN		 NOT PROVIDED
--	--	--


1



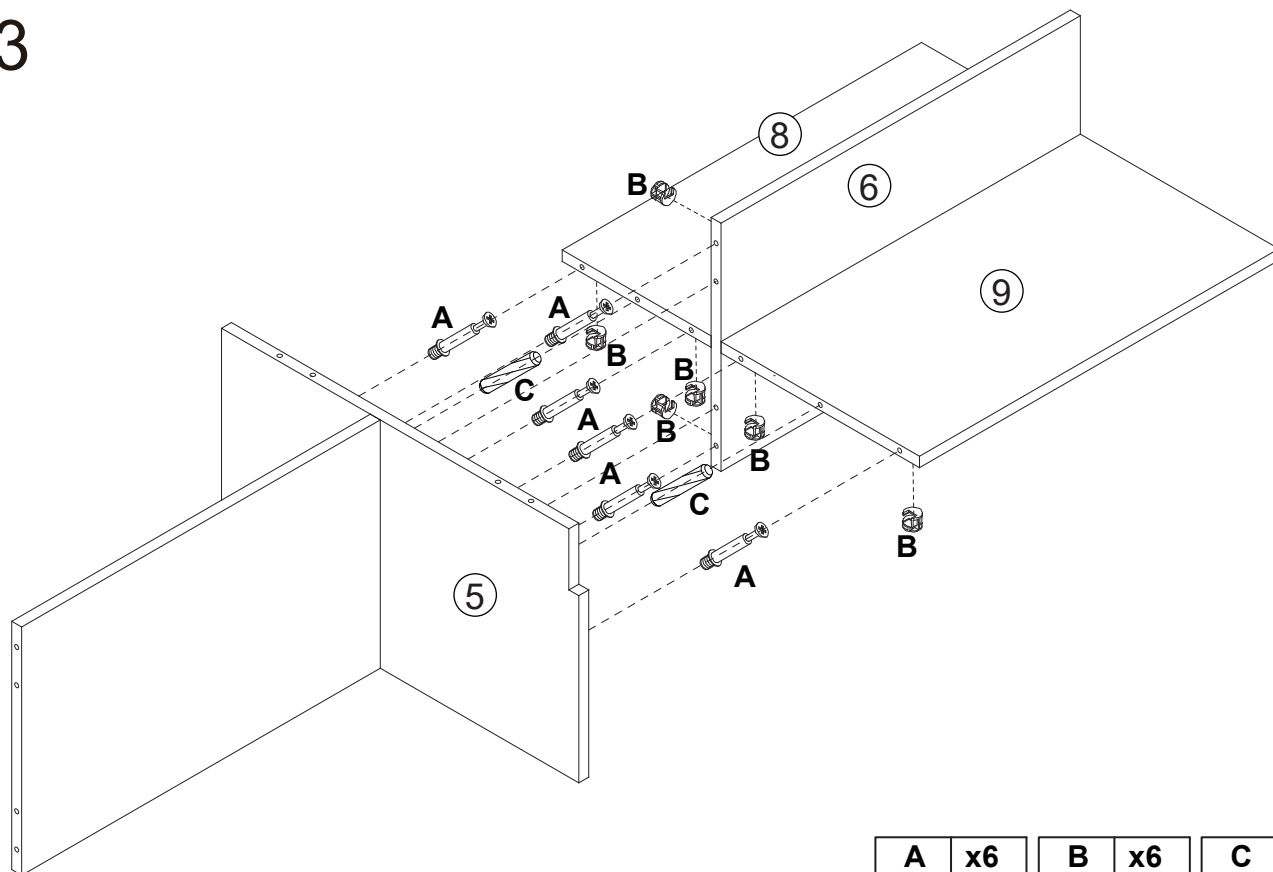
A	x2	B	x2	E	x2
					



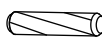
2



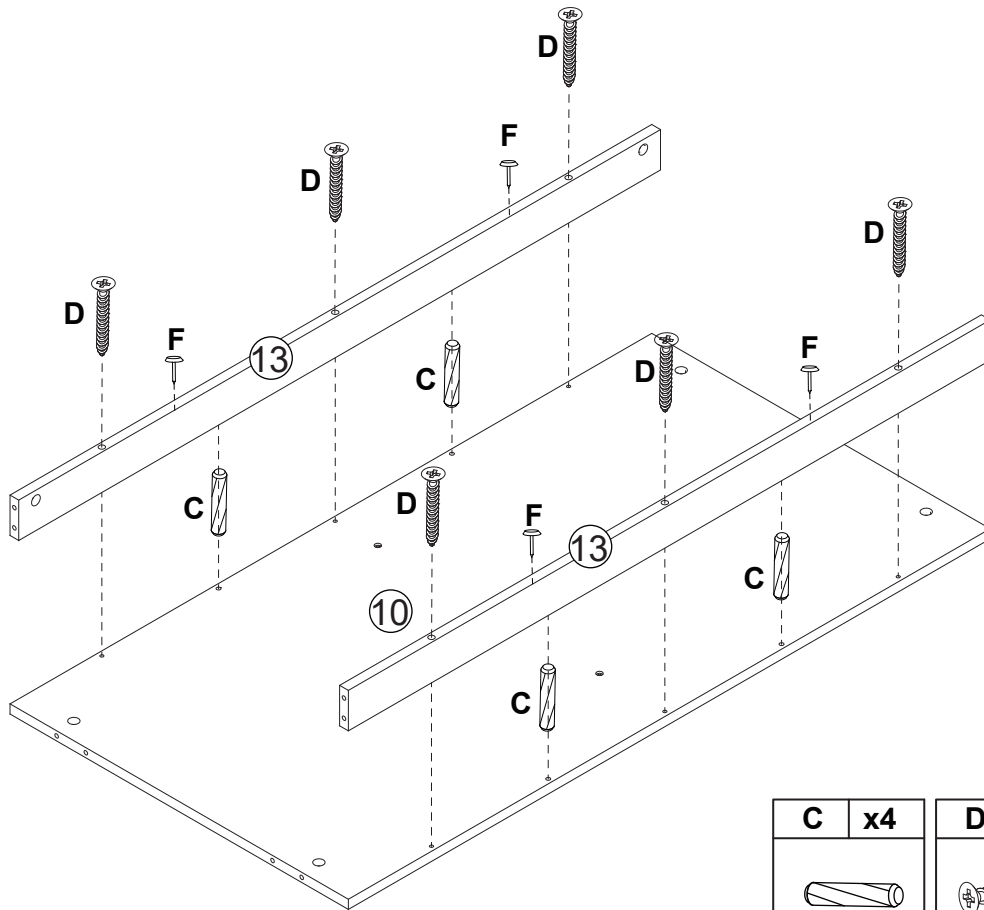
E	x2
	

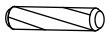


3



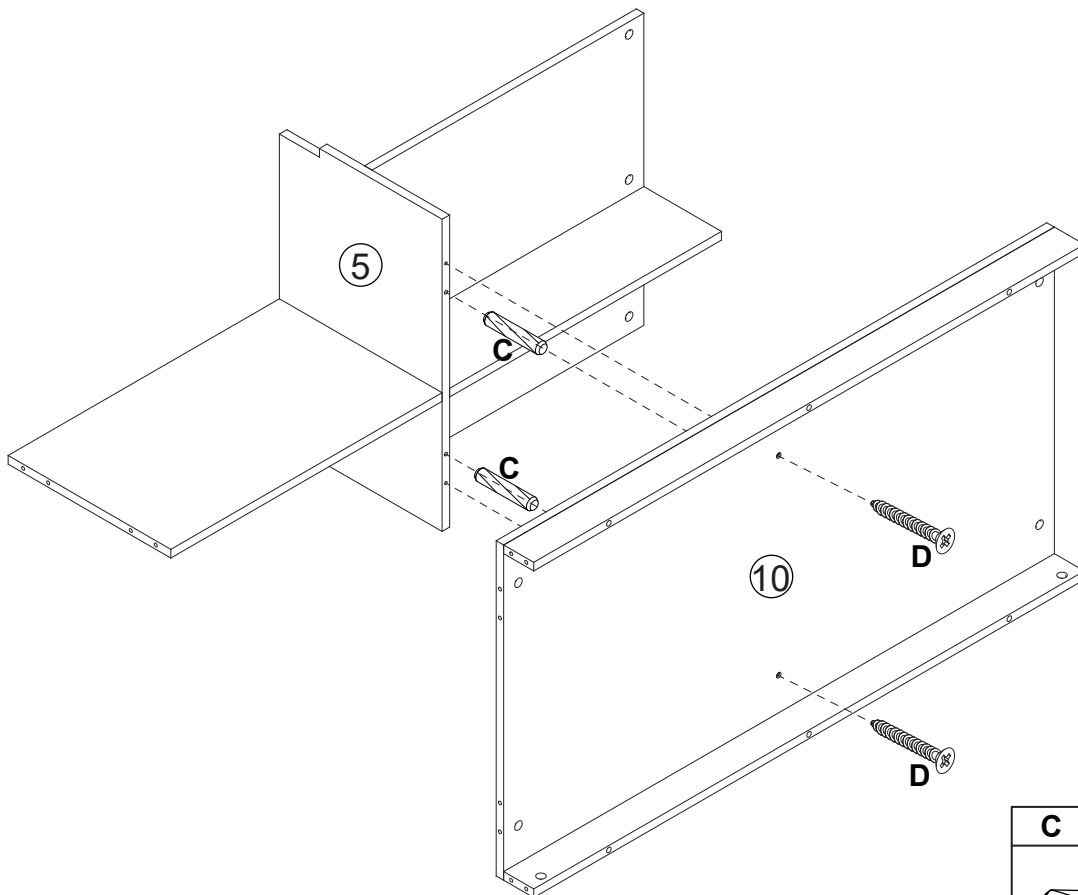
A	x6	B	x6	C	x2
					



4



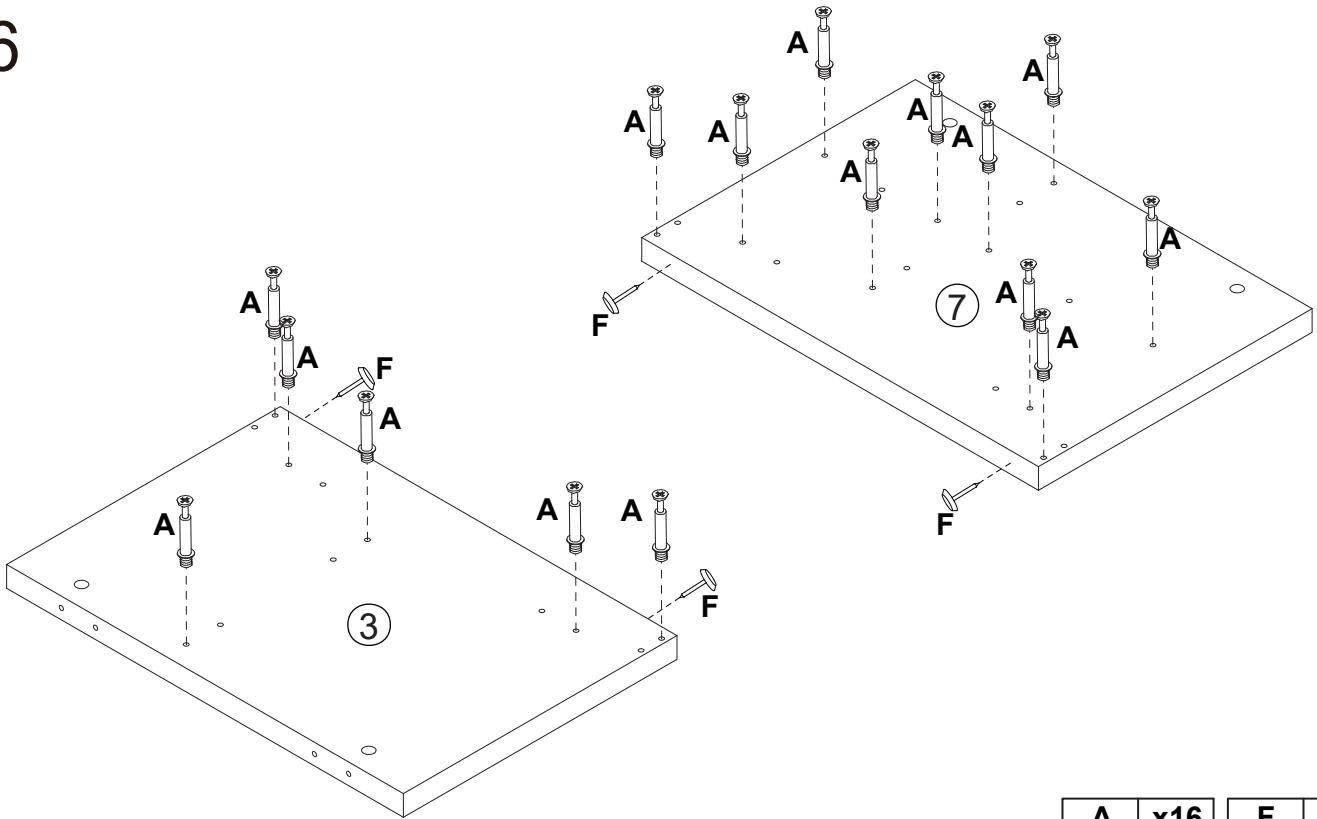
C	x4	D	x6	F	x4
					

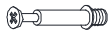
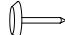
5



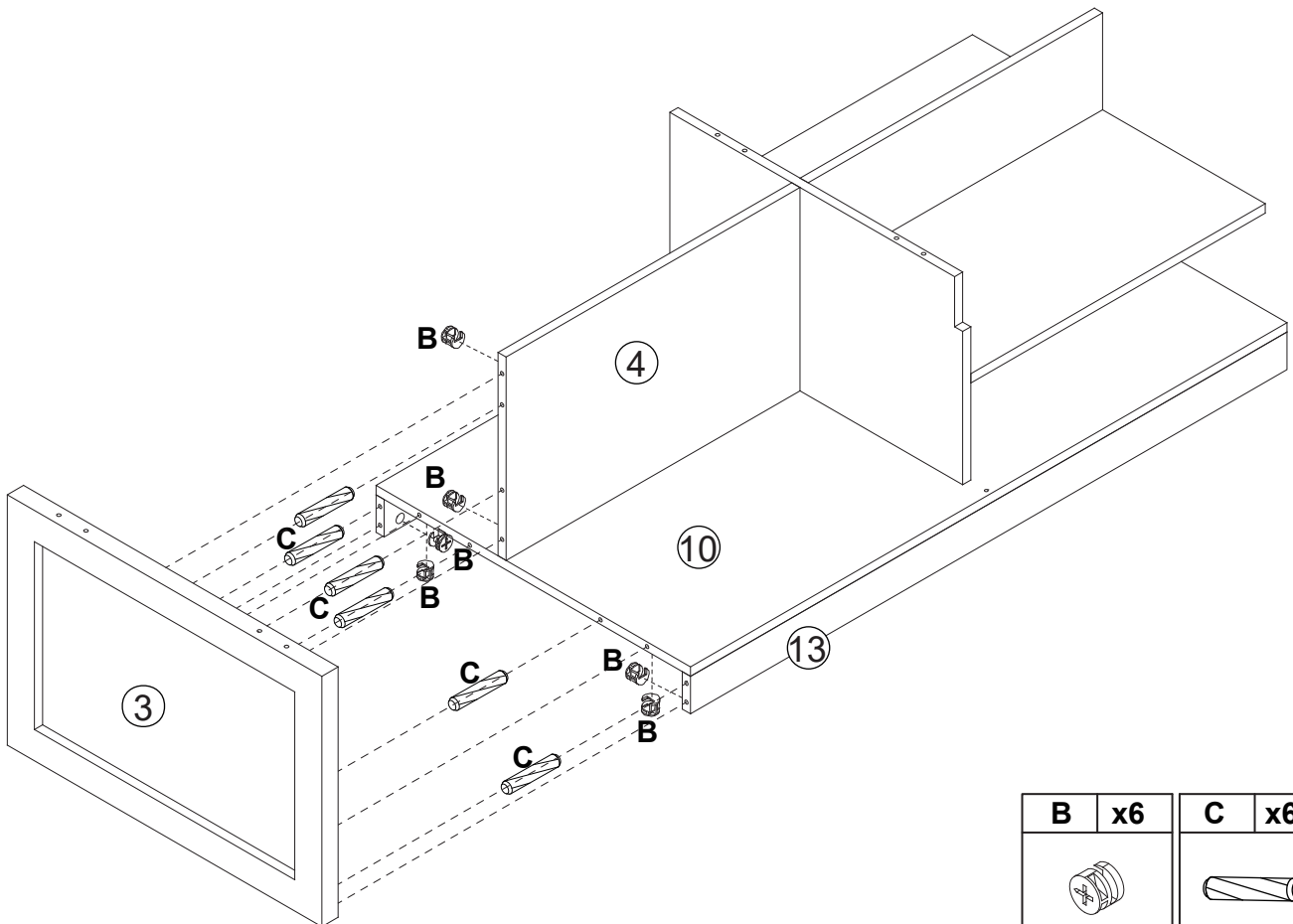
C	x2	D	x2
			


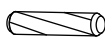
6



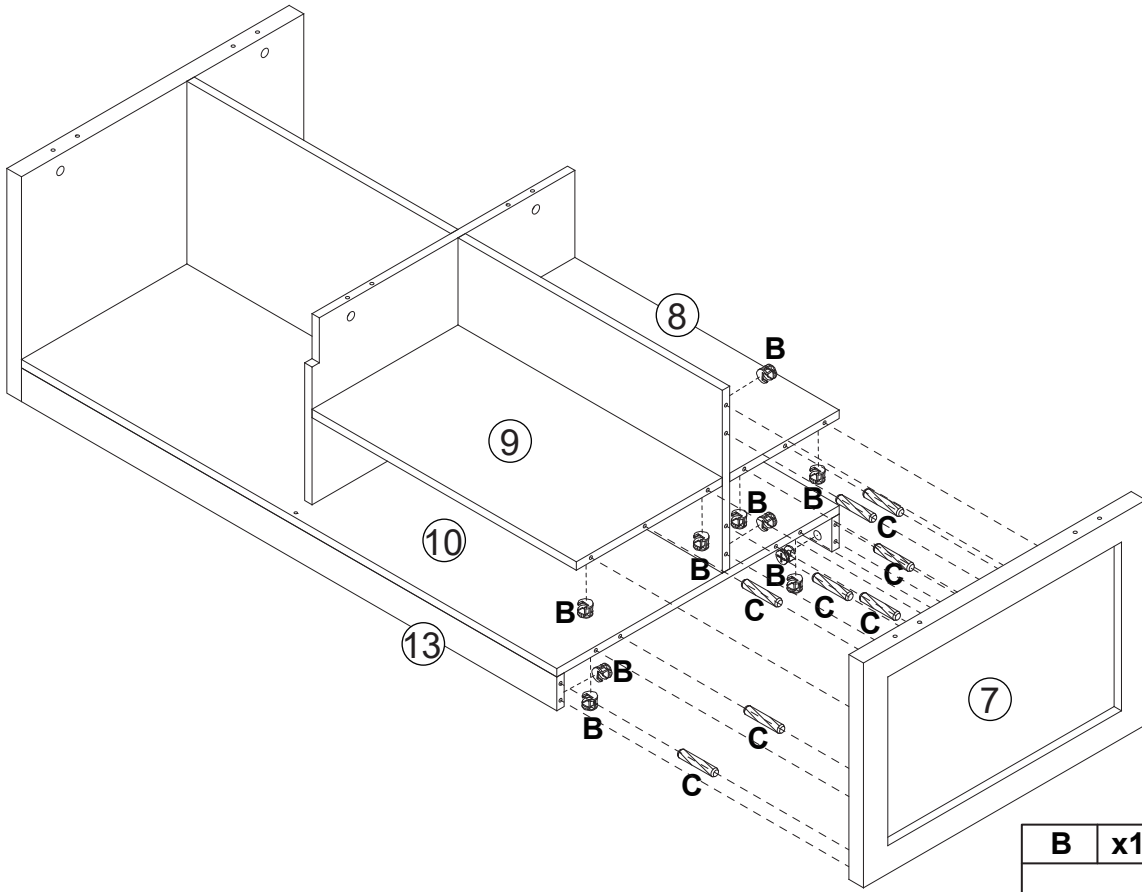
A	x16	F	x4
			


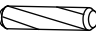
7



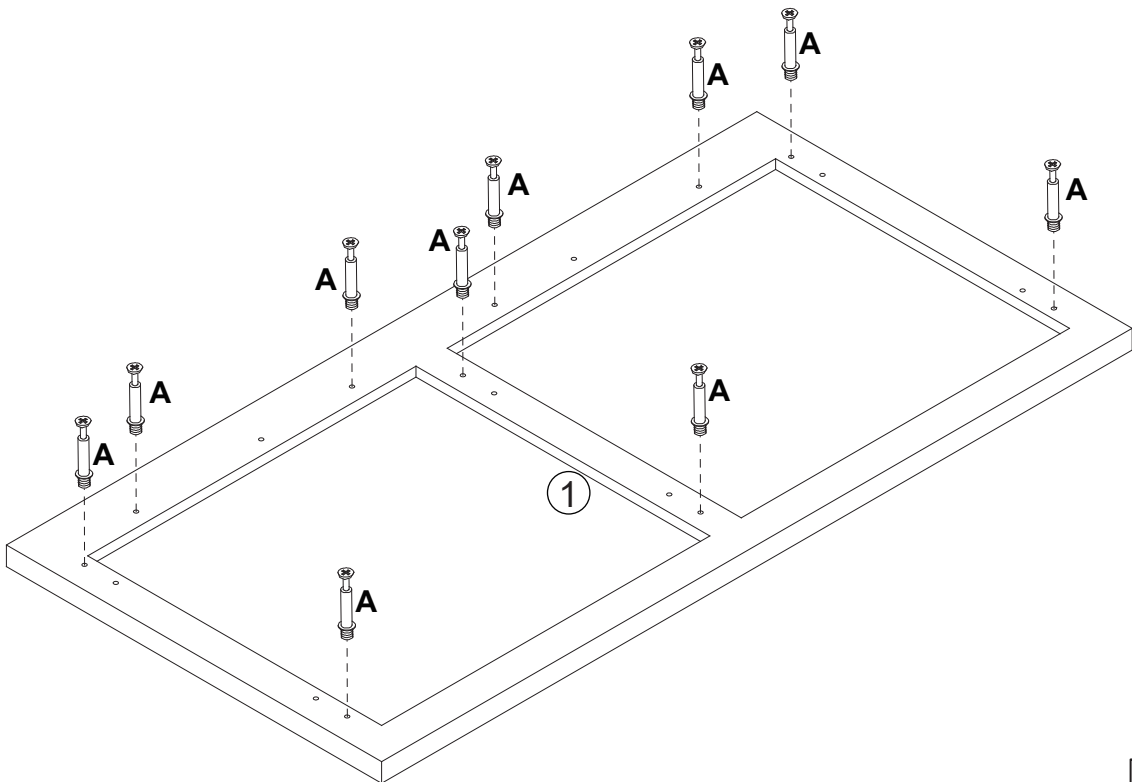
B	x6	C	x6
			

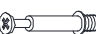
8



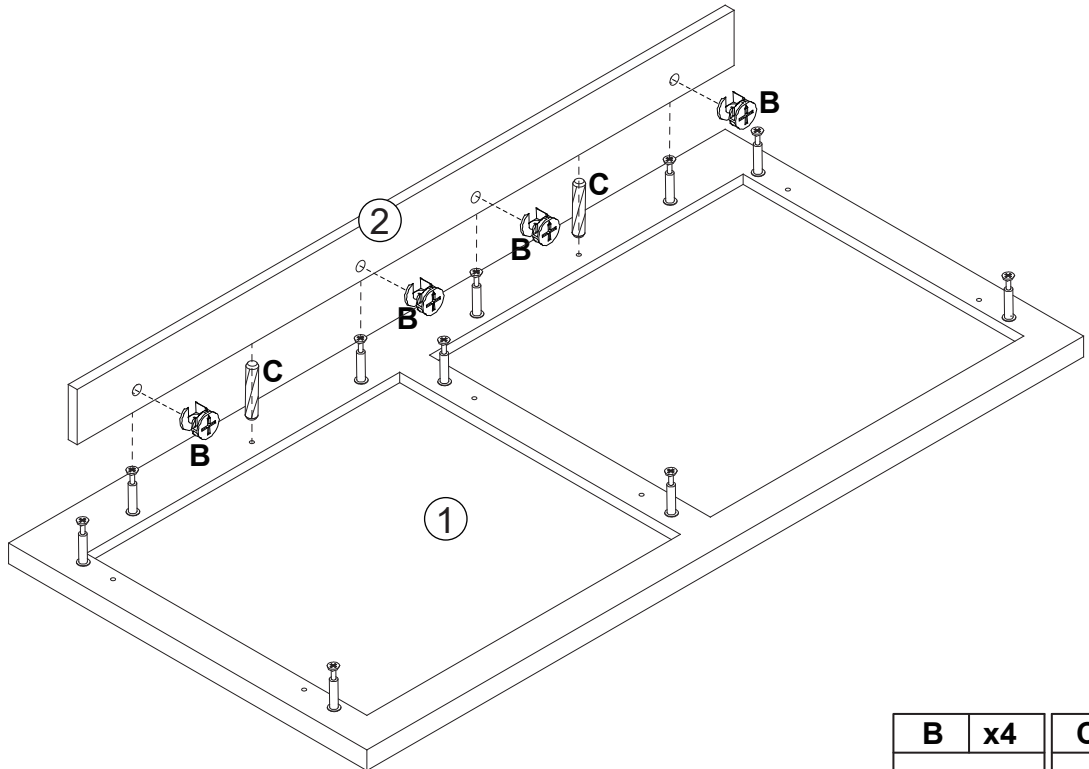
B	x10	C	x8
			

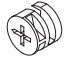
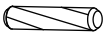
9



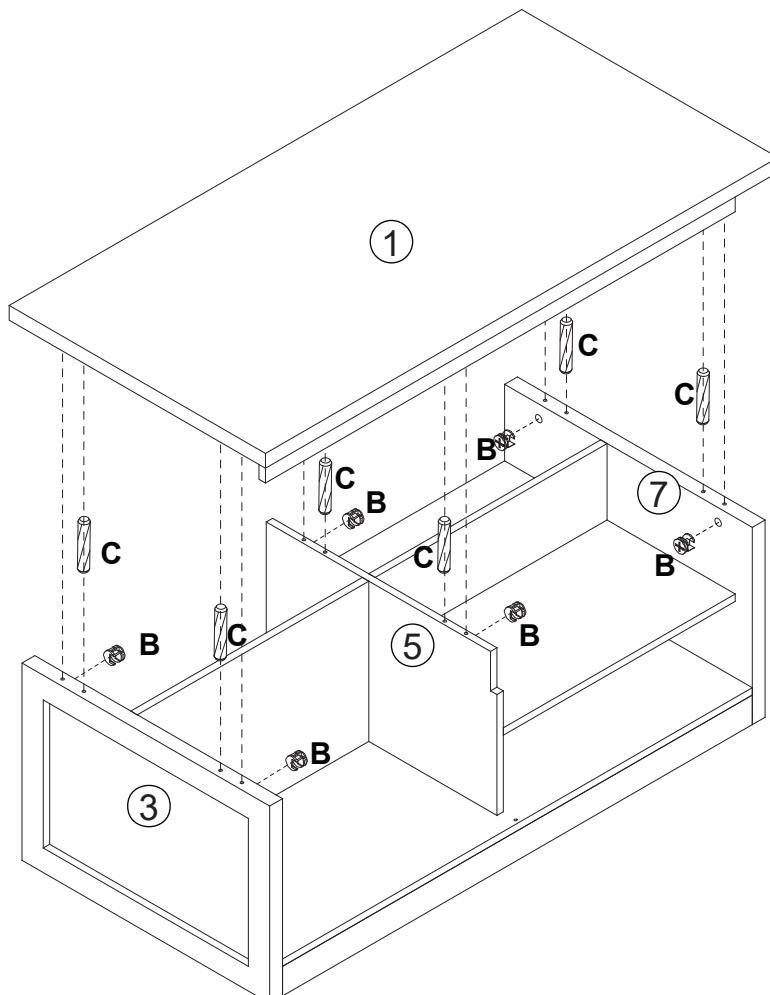
A	x10
	



10



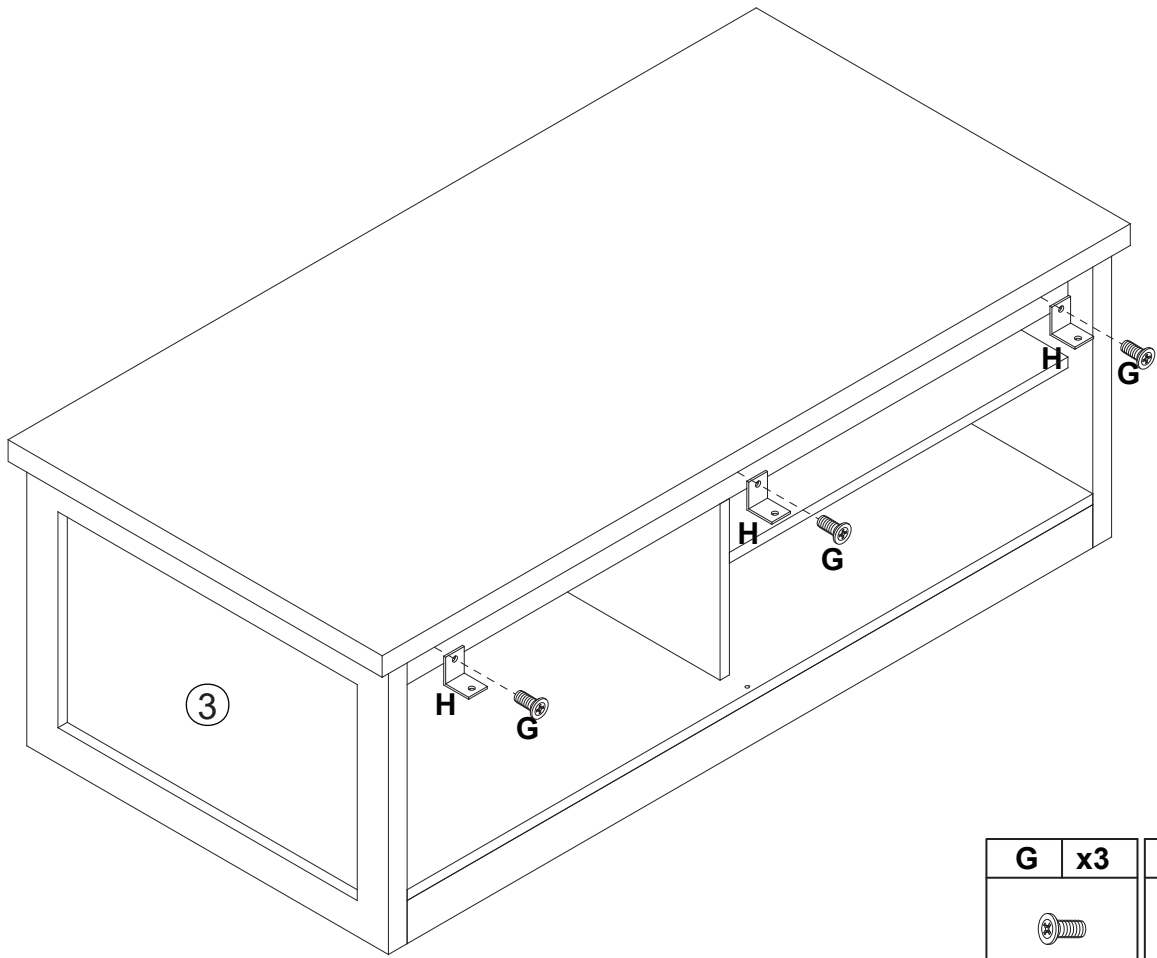
B	x4	C	x2
			


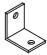
11



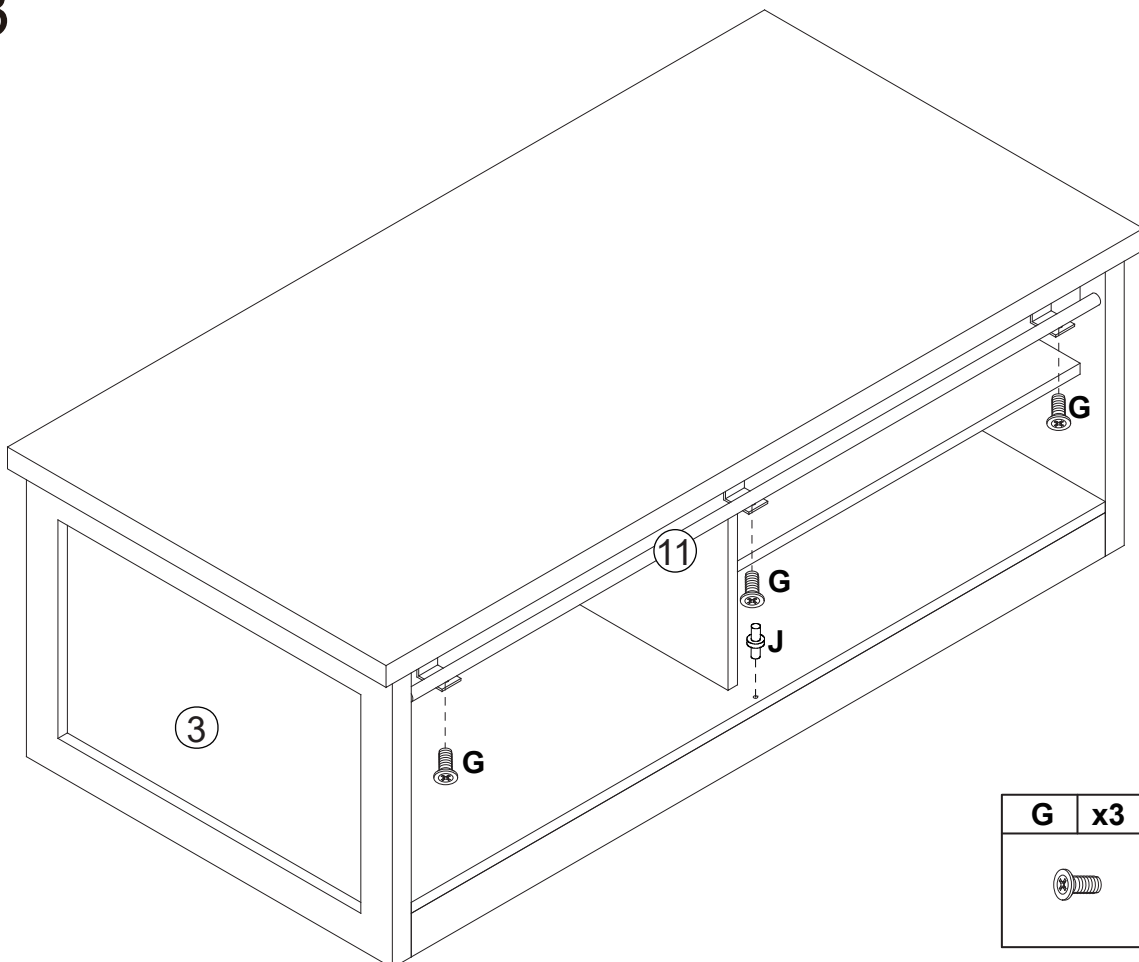
B	x6	C	x6
			


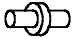
12



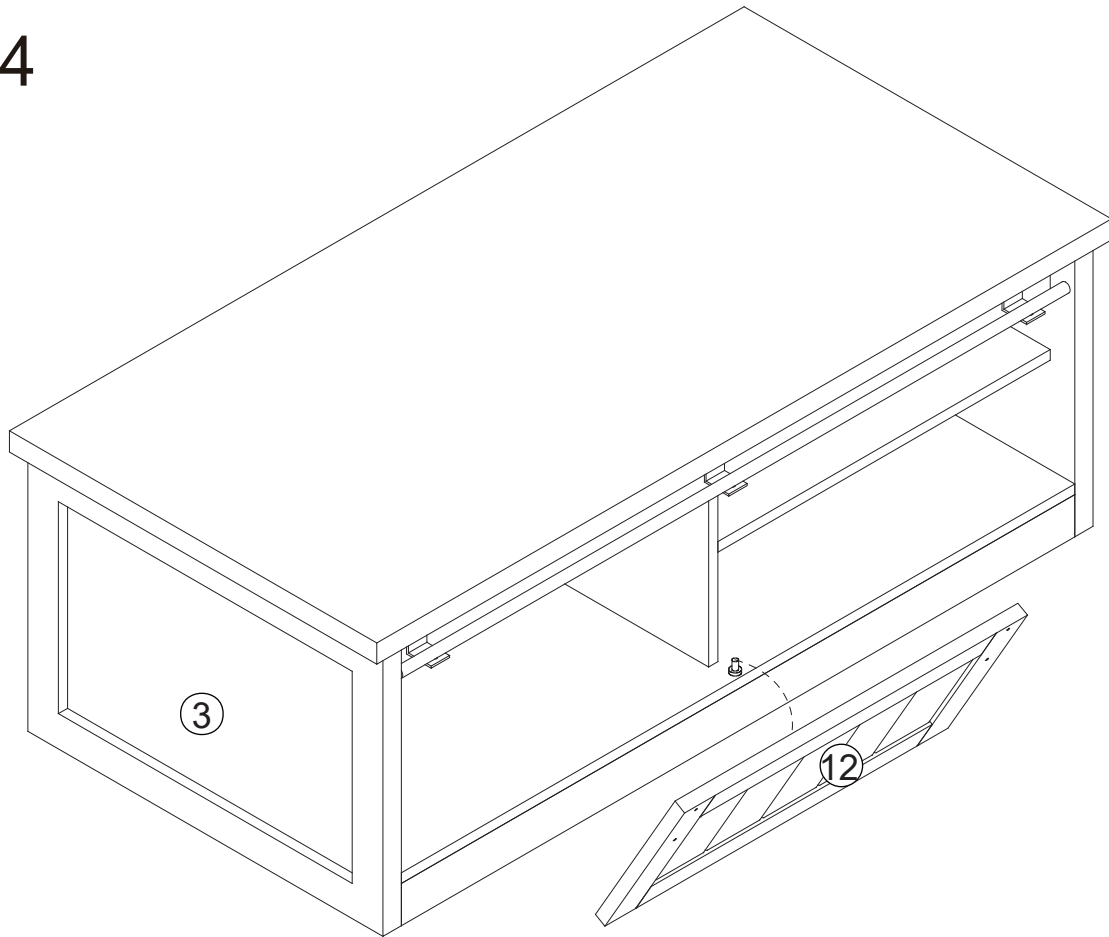
G	x3	H	x3
			

13

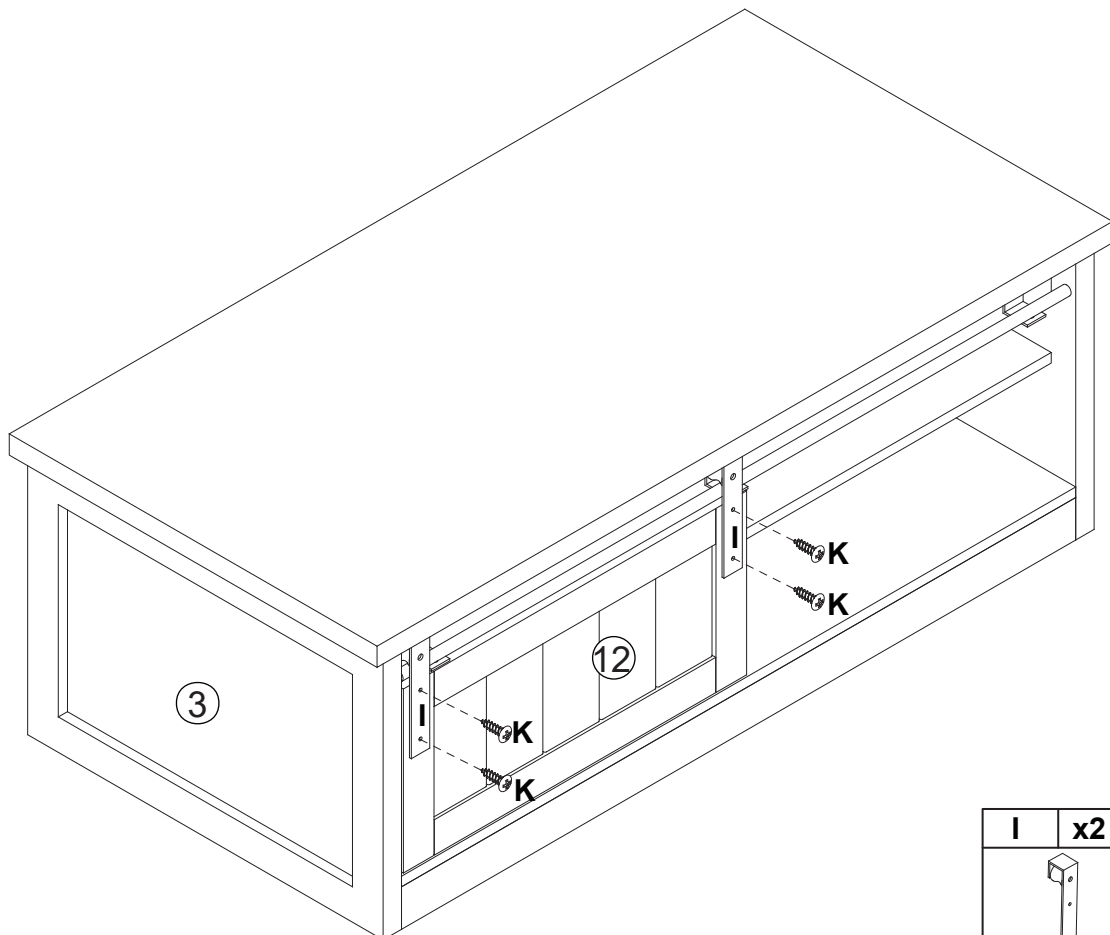


G	x3	J	x1
			

14



15



I	x2	K	x4