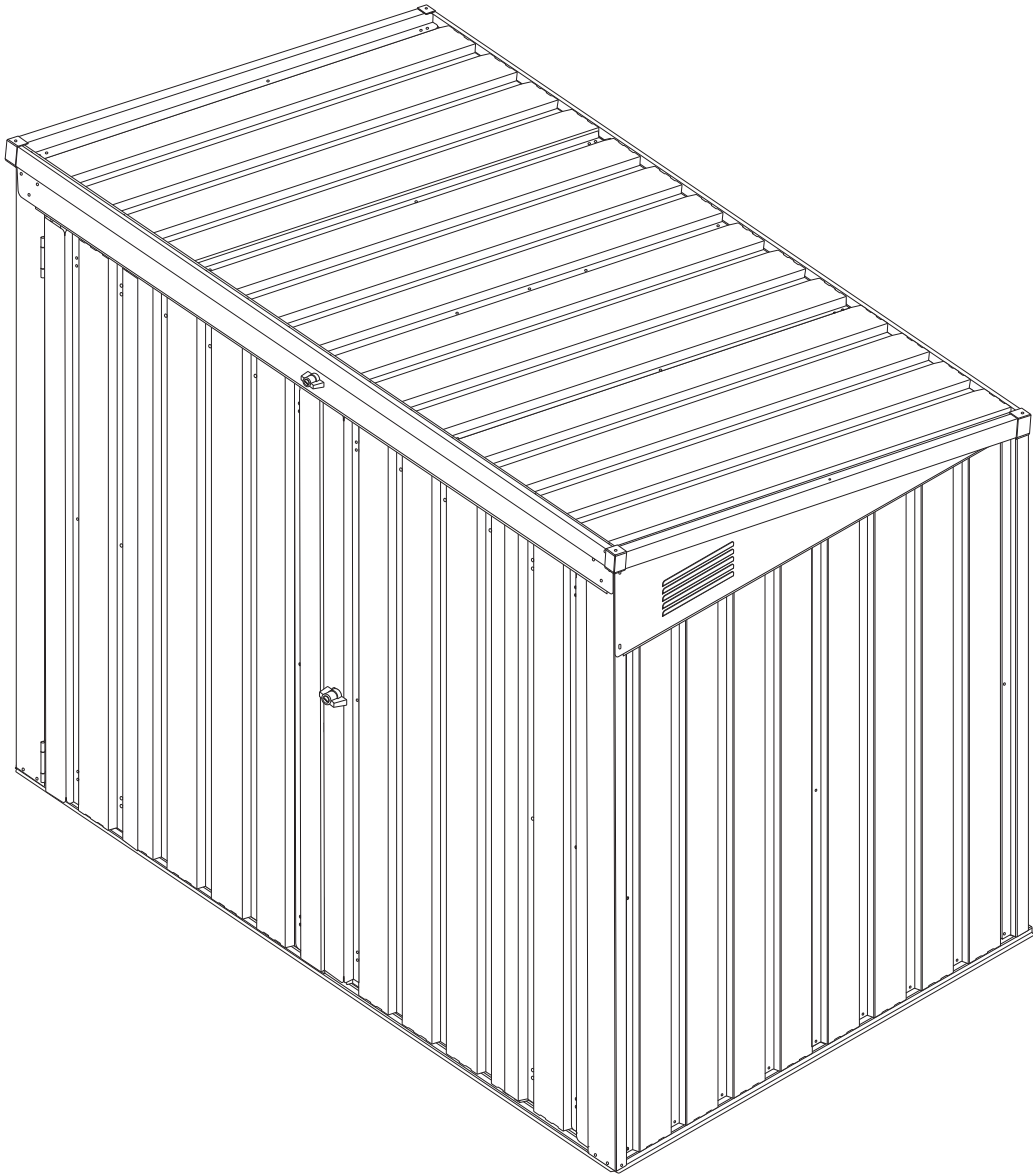
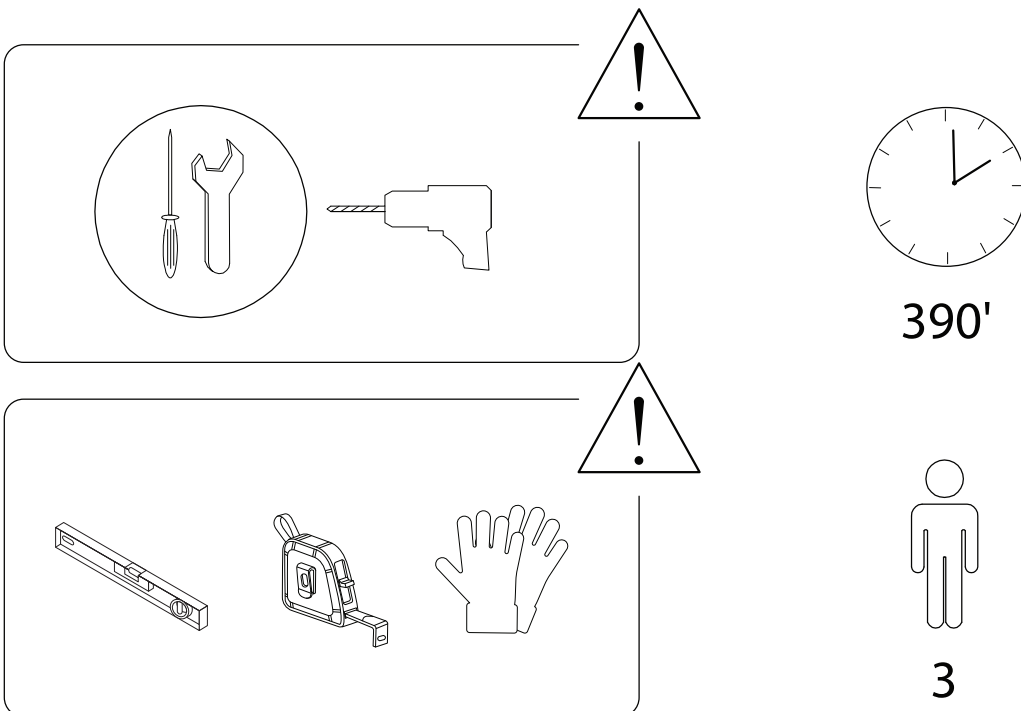
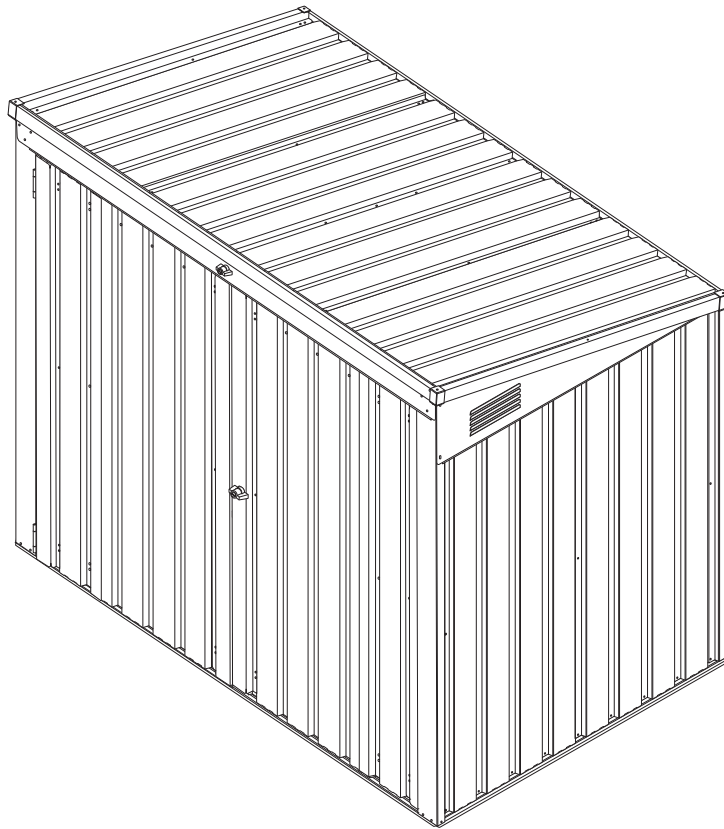
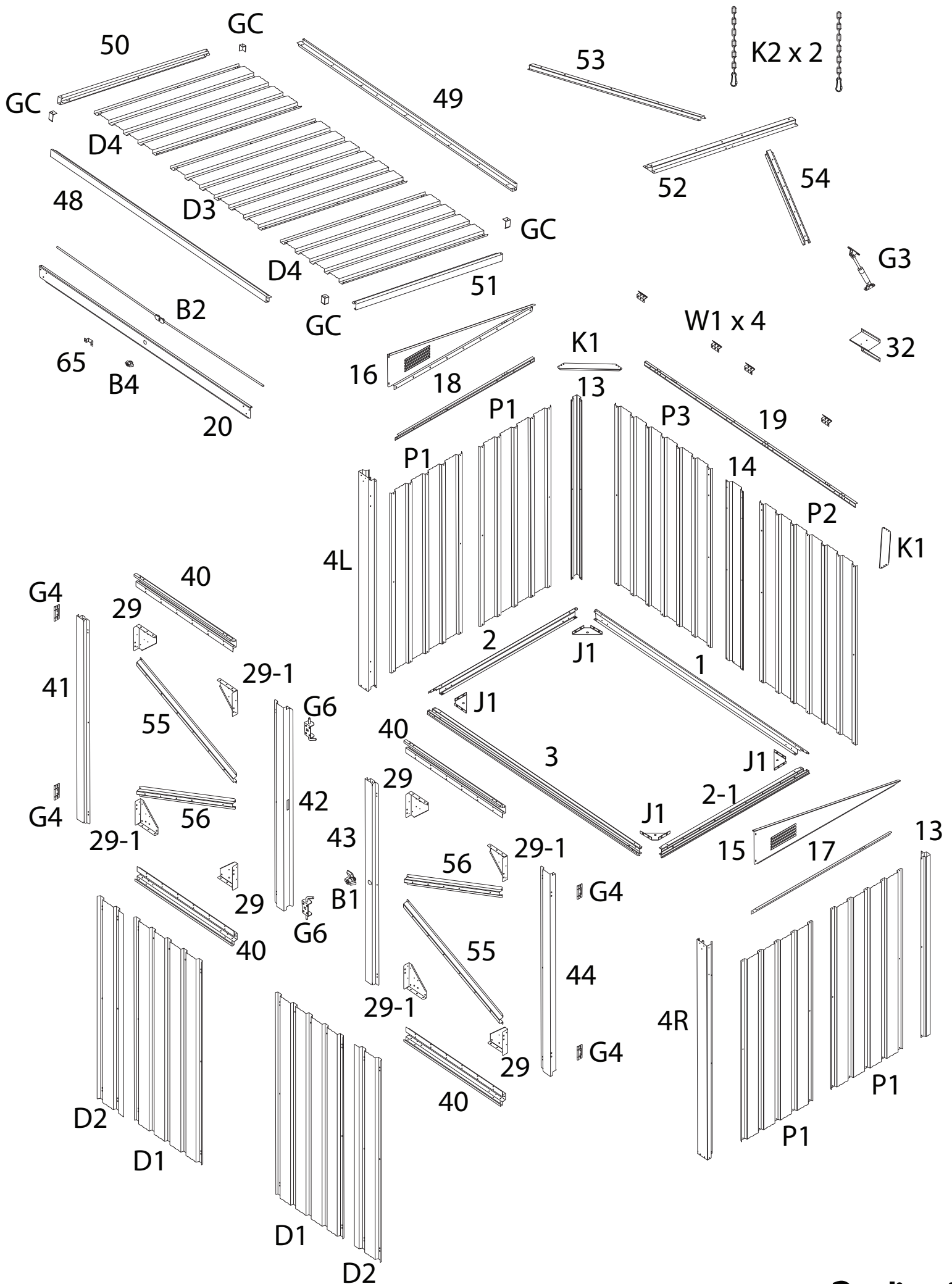
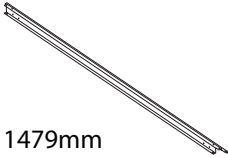
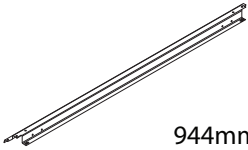
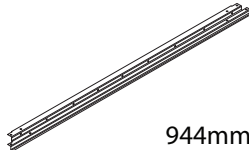
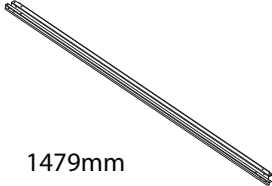




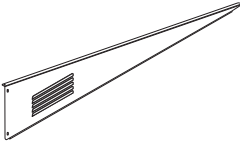
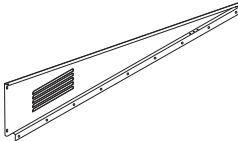
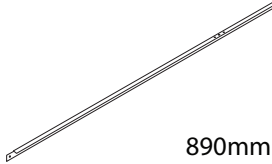
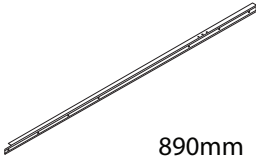
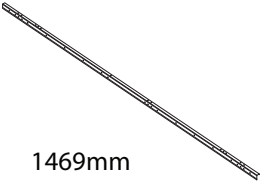
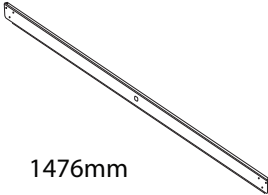
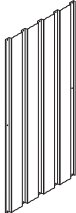
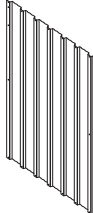
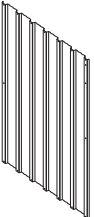
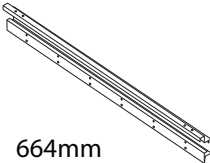






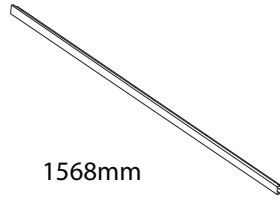
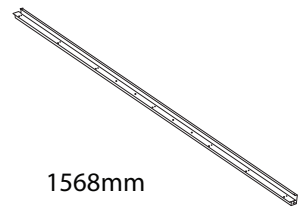
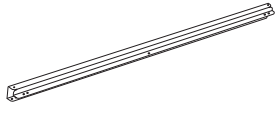
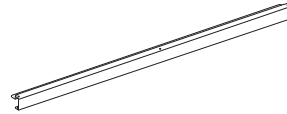
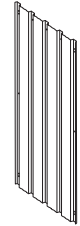

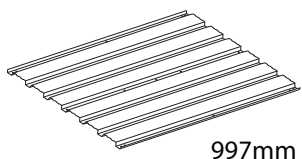
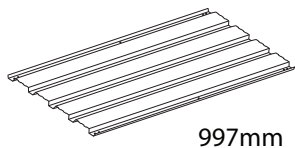
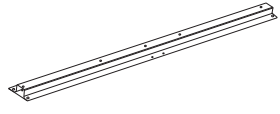
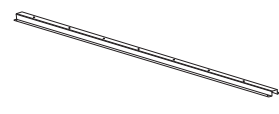
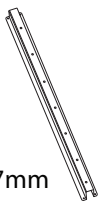

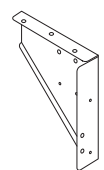
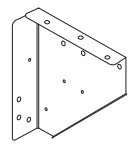
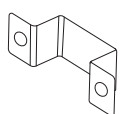
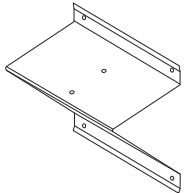
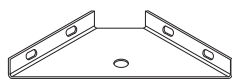
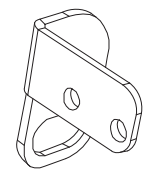
MOENA

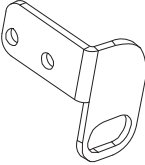
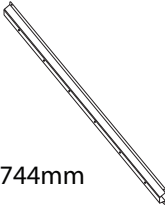
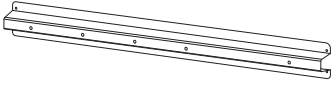


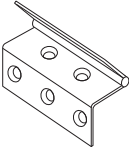
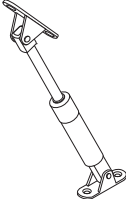
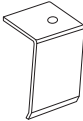
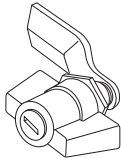
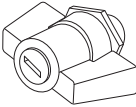
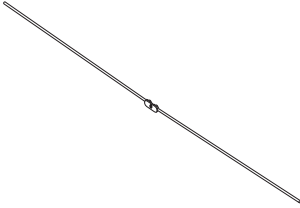
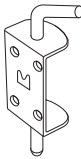

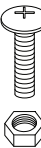

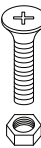

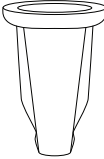
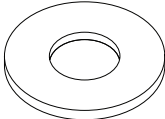






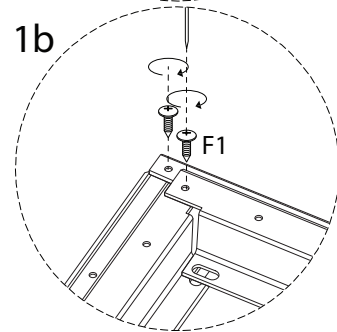
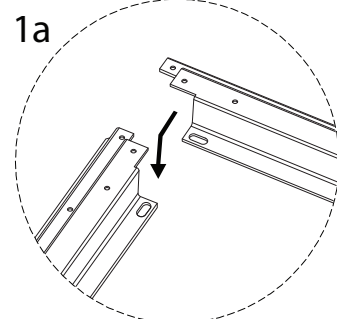
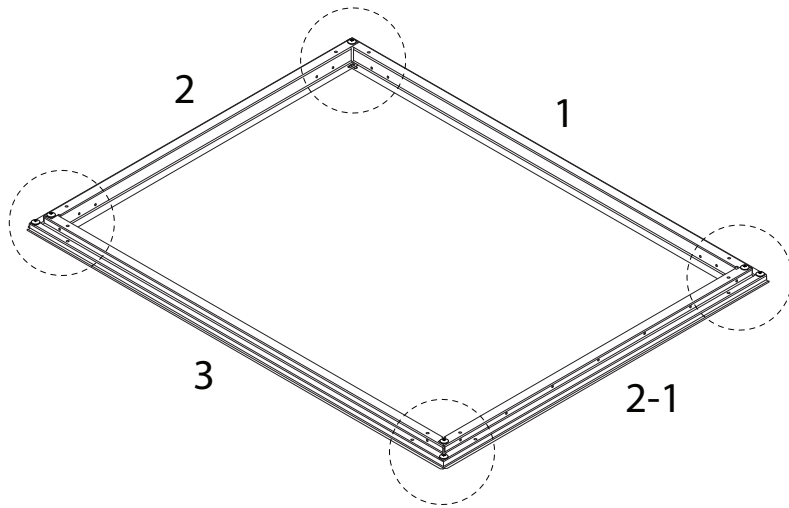
<p>1</p>  <p>1479mm</p> <p>x 1</p>	<p>2</p>  <p>944mm</p> <p>x 1</p>	<p>2-1</p>  <p>944mm</p> <p>x 1</p>	<p>3</p>  <p>1479mm</p> <p>x 1</p>
<p>4L</p>  <p>1290mm</p> <p>x 1</p>	<p>4R</p>  <p>1290mm</p> <p>x 1</p>	<p>13</p>  <p>1080mm</p> <p>x 2</p>	<p>14</p>  <p>1090mm</p> <p>x 1</p>
<p>15</p>  <p>x 1</p>	<p>16</p>  <p>x 1</p>	<p>17</p>  <p>890mm</p> <p>x 1</p>	<p>18</p>  <p>890mm</p> <p>x 1</p>
<p>19</p>  <p>1469mm</p> <p>x 1</p>	<p>20</p>  <p>1476mm</p> <p>x 1</p>	<p>P1</p>  <p>1080mm</p> <p>x 4</p>	<p>P2</p>  <p>1080mm</p> <p>x 1</p>
<p>P3</p>  <p>1080mm</p> <p>x 1</p>	<p>40</p>  <p>664mm</p> <p>x 4</p>	<p>41</p>  <p>1203mm</p> <p>x 1</p>	<p>42</p>  <p>1203mm</p> <p>x 1</p>

<p>43</p>  <p>1203mm</p> <p>x 1</p>	<p>44</p>  <p>1203mm</p> <p>x 1</p>	<p>48</p>  <p>1568mm</p> <p>x 1</p>	<p>49</p>  <p>1568mm</p> <p>x 1</p>
<p>50</p>  <p>998mm</p> <p>x 1</p>	<p>51</p>  <p>998mm</p> <p>x 1</p>	<p>D1</p>  <p>1202mm</p> <p>x 2</p>	<p>D2</p>  <p>1202mm</p> <p>x 2</p>
<p>D3</p>  <p>997mm</p> <p>x 1</p>	<p>D4</p>  <p>997mm</p> <p>x 2</p>	<p>52</p>  <p>948mm</p> <p>x 1</p>	<p>53</p>  <p>857mm</p> <p>x 1</p>
<p>54</p>  <p>857mm</p> <p>x 1</p>	<p>K1</p>  <p>x 2</p>	<p>29</p>  <p>x 4</p>	<p>29-1</p>  <p>x 4</p>
<p>65</p>  <p>x 1</p>	<p>32</p>  <p>x 1</p>	<p>J1</p>  <p>x 4</p>	<p>BL</p>  <p>x 1</p>

<p>BR</p>  <p>x 1</p>	<p>55</p>  <p>744mm</p> <p>x 2</p>	<p>56</p>  <p>744mm</p> <p>x 2</p>	
<p>K2</p>  <p>x 2</p>	<p>G4</p>  <p>x 4</p>	<p>W1</p>  <p>x 4</p>	
<p>G3</p>  <p>x 1</p>	<p>GC</p>  <p>x 1</p>	<p>B1</p>  <p>x 1</p>	
<p>B4</p>  <p>x 1</p>	<p>B2</p>  <p>x 1</p>	<p>G6</p>  <p>x 2</p>	<p>F1</p>  <p>ST4.2 x 10</p> <p>x 310</p>
<p>F2</p>  <p>M4 x 10</p>  <p>x 38</p>	<p>F3</p>  <p>M4 x 16</p>  <p>x 18</p>	<p>S2</p>  <p>x 100</p>	<p>S3</p>  <p>x 180</p>

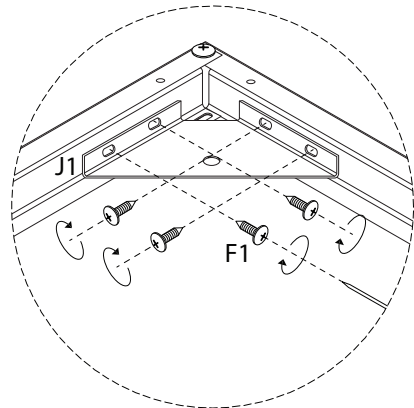
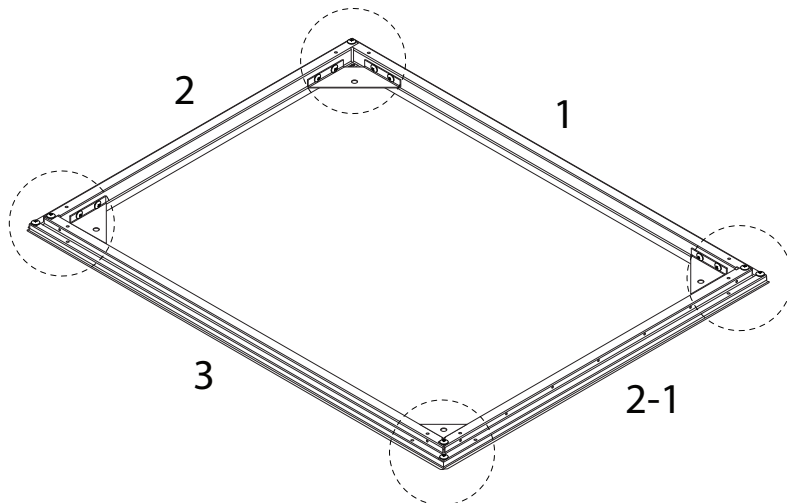
1

<p>1 1479mm x 1</p>	<p>2 944mm x 1</p>	<p>2-1 944mm x 1</p>	<p>3 1479mm x 1</p>	<p>F1 M4 x 10 x 8</p>
-----------------------------	----------------------------	------------------------------	-----------------------------	---------------------------------------

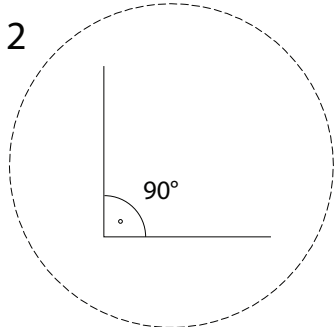
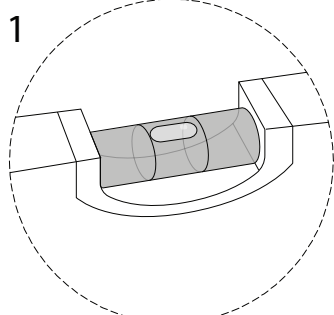
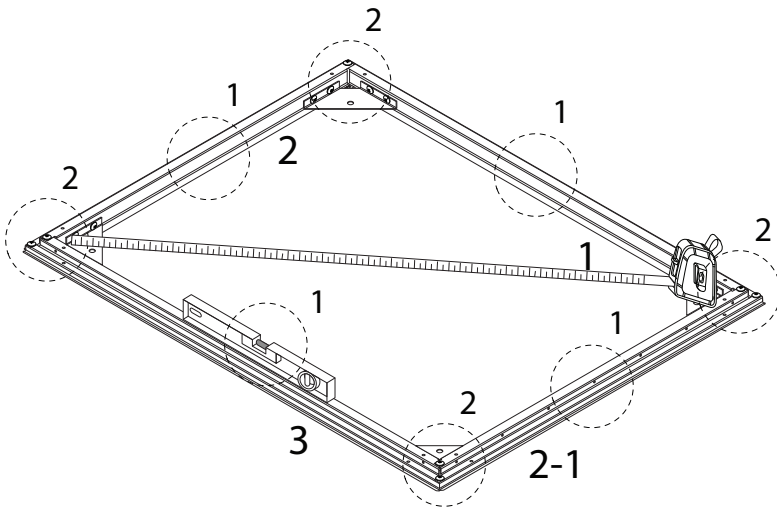


2




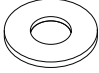
<p>F1 M4 x 10 x 16</p>	<p>J1 x 4</p>
----------------------------------------	-------------------

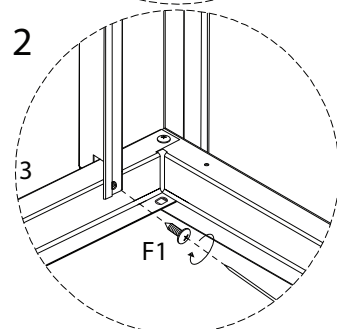
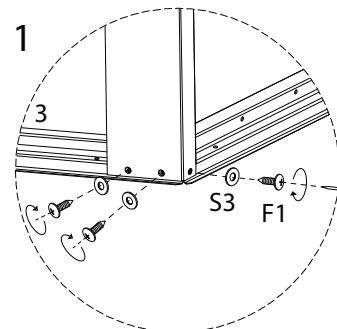
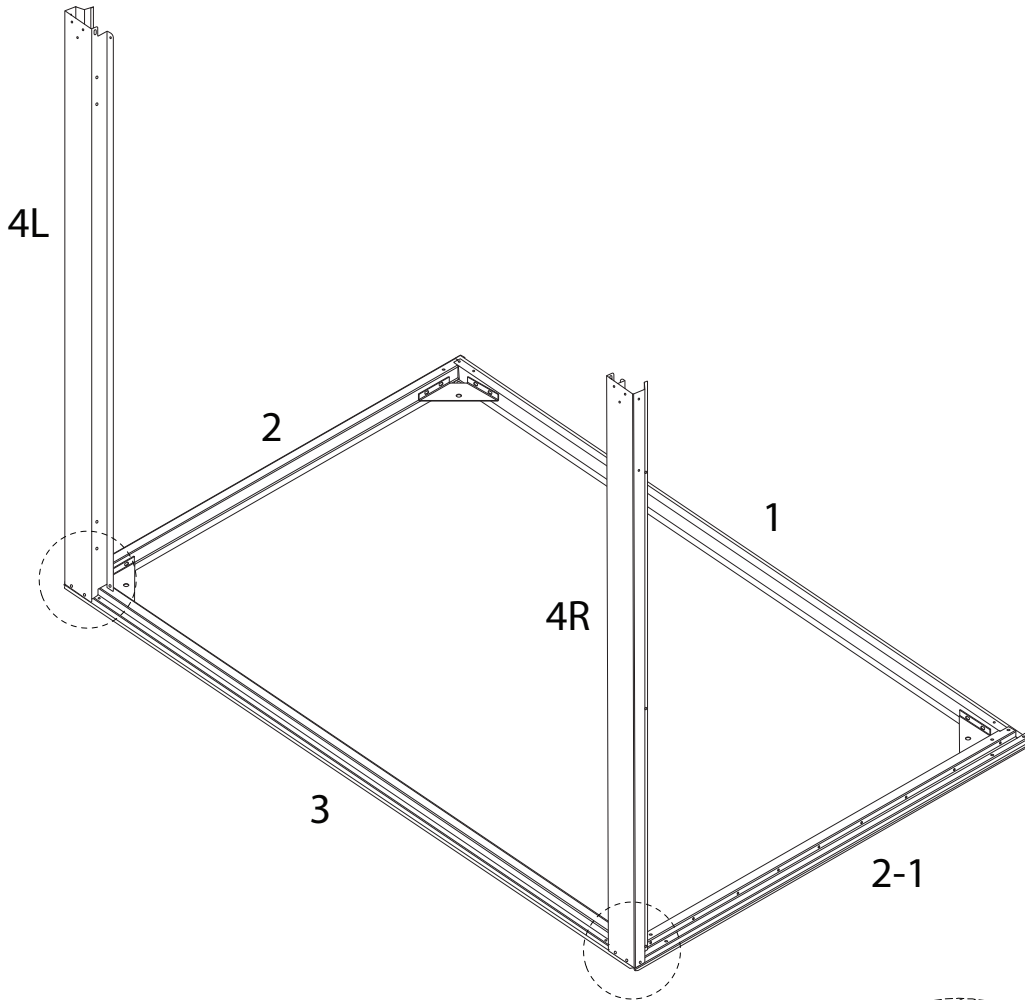


3



4

<p>4L</p>  <p>1290mm</p> <p>X 1</p>	<p>4R</p>  <p>1290mm</p> <p>X 1</p>	<p>F1</p>  <p>M4 x 10</p> <p>X 8</p>	<p>S3</p>  <p>X 6</p>
----------------------------------------------------------------------------------------------------------------------	----------------------------------------------------------------------------------------------------------------------	--------------------------------------------------------------------------------------------------------------------------------	----------------------------------------------------------------------------------------------------------



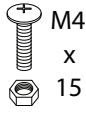
5

F1



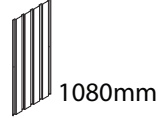
x 8

F2



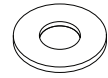
x 2

P1

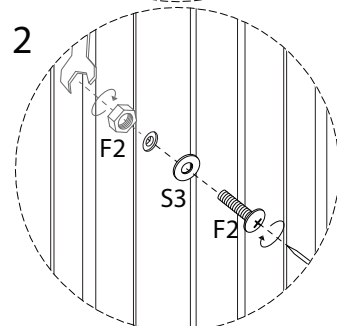
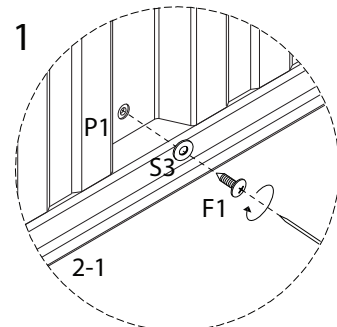
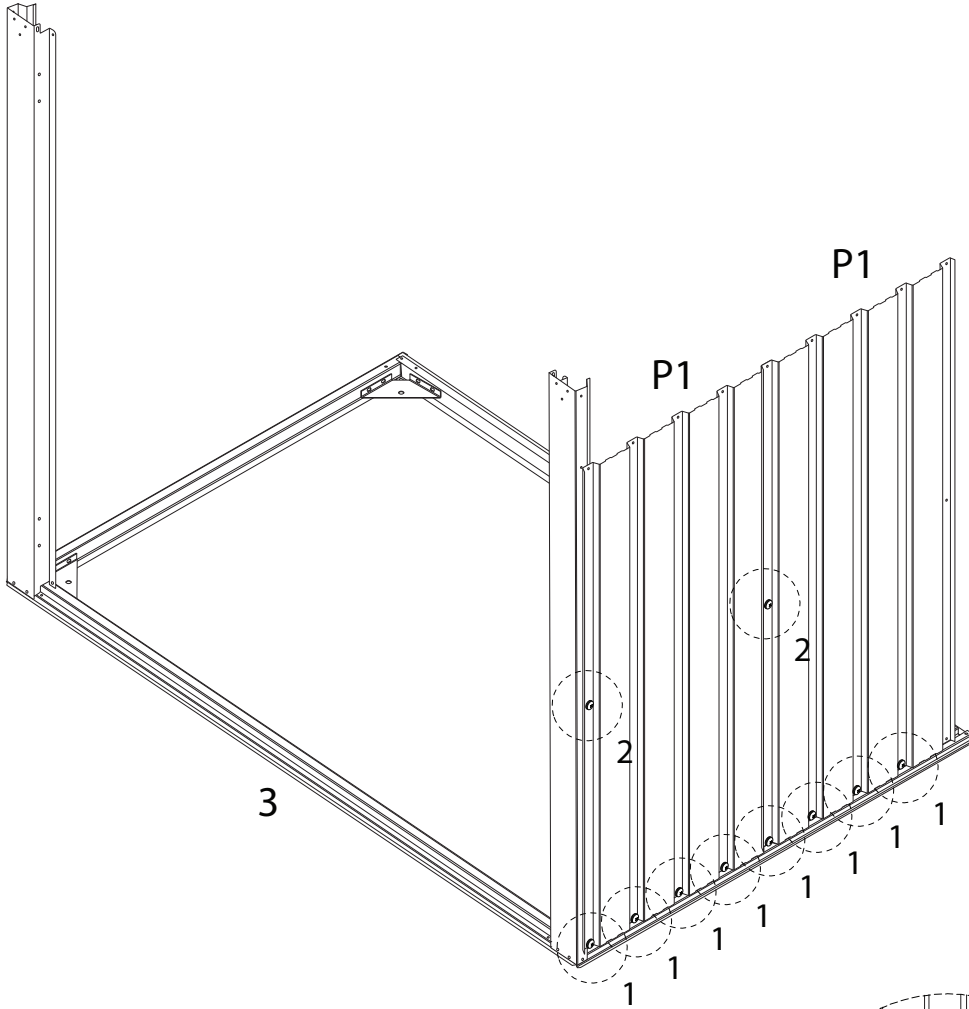


x 2

S3



x 10



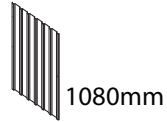
6

F1



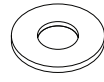
x 5

P2

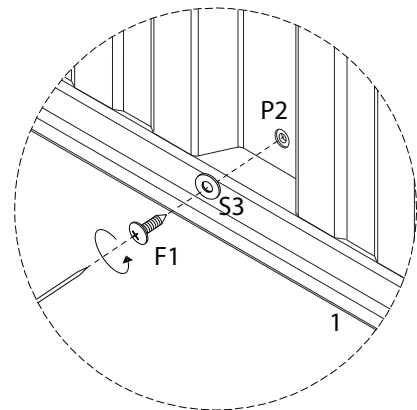
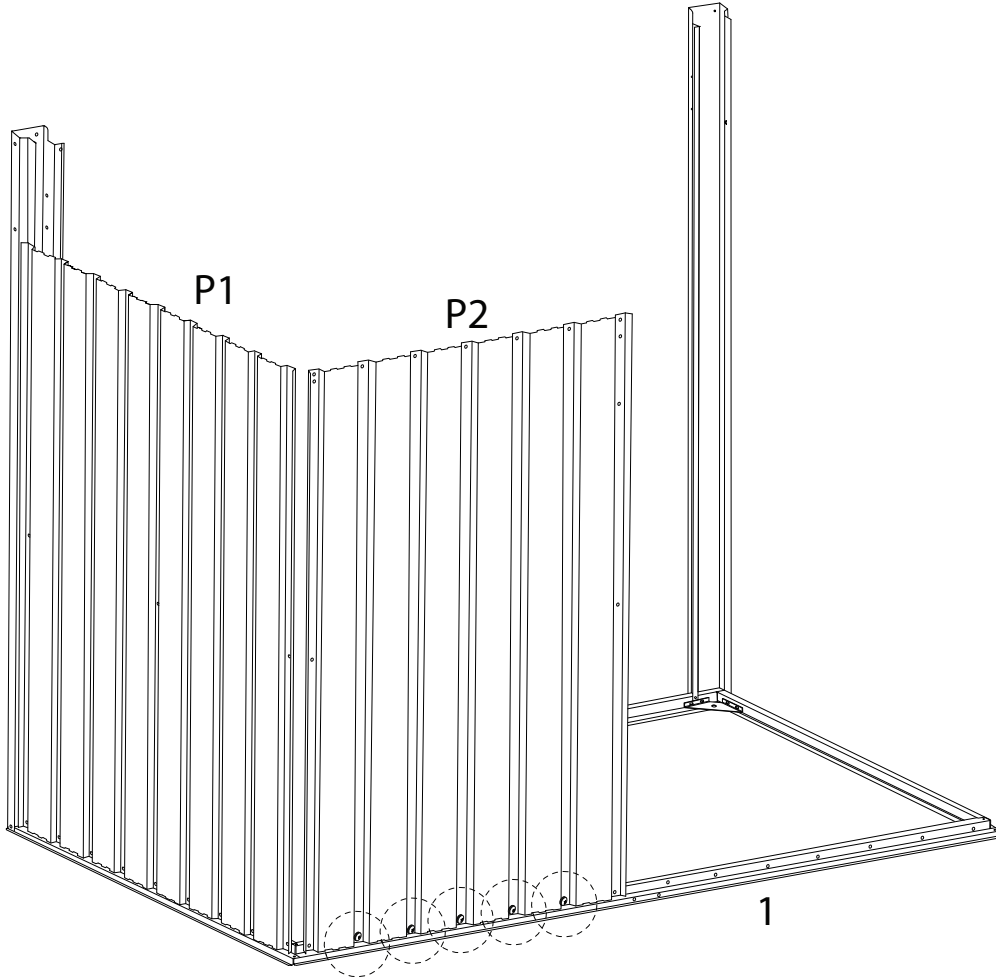


x 1





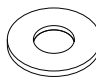
S3

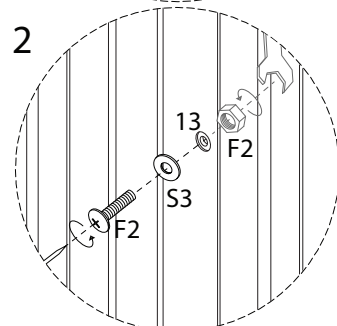
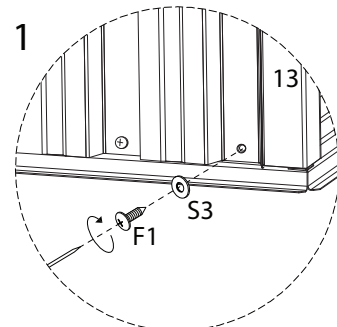
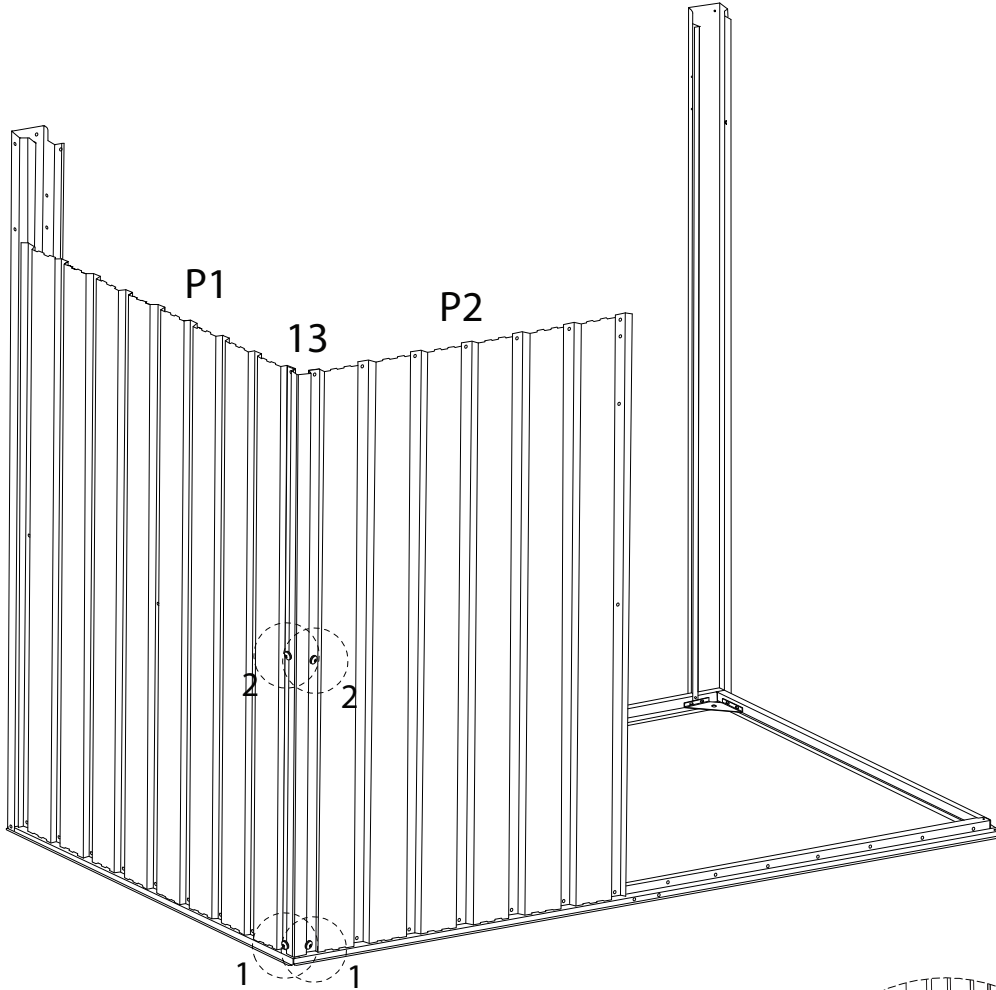


x 5



7

<p>13</p>  <p>1080mm</p> <p>x 1</p>	<p>F1</p>  <p>M4 x 10</p> <p>x 2</p>	<p>F2</p>  <p>M4 x 15</p>  <p>x 2</p>	<p>S3</p>  <p>x 4</p>
----------------------------------------------------------------------------------------------------------------------	-------------------------------------------------------------------------------------------------------------------------------	-------------------------------------------------------------------------------------------------------------------------------------------------------------------------------------------------------------------	----------------------------------------------------------------------------------------------------------



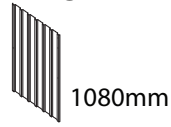
8

F1



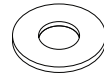
x 5

P3

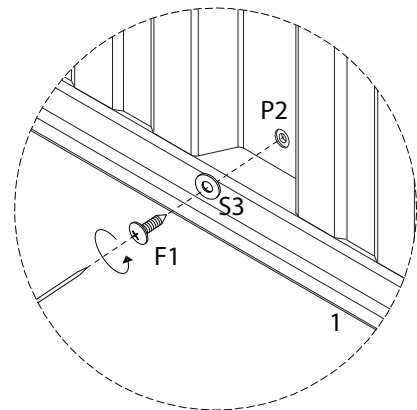
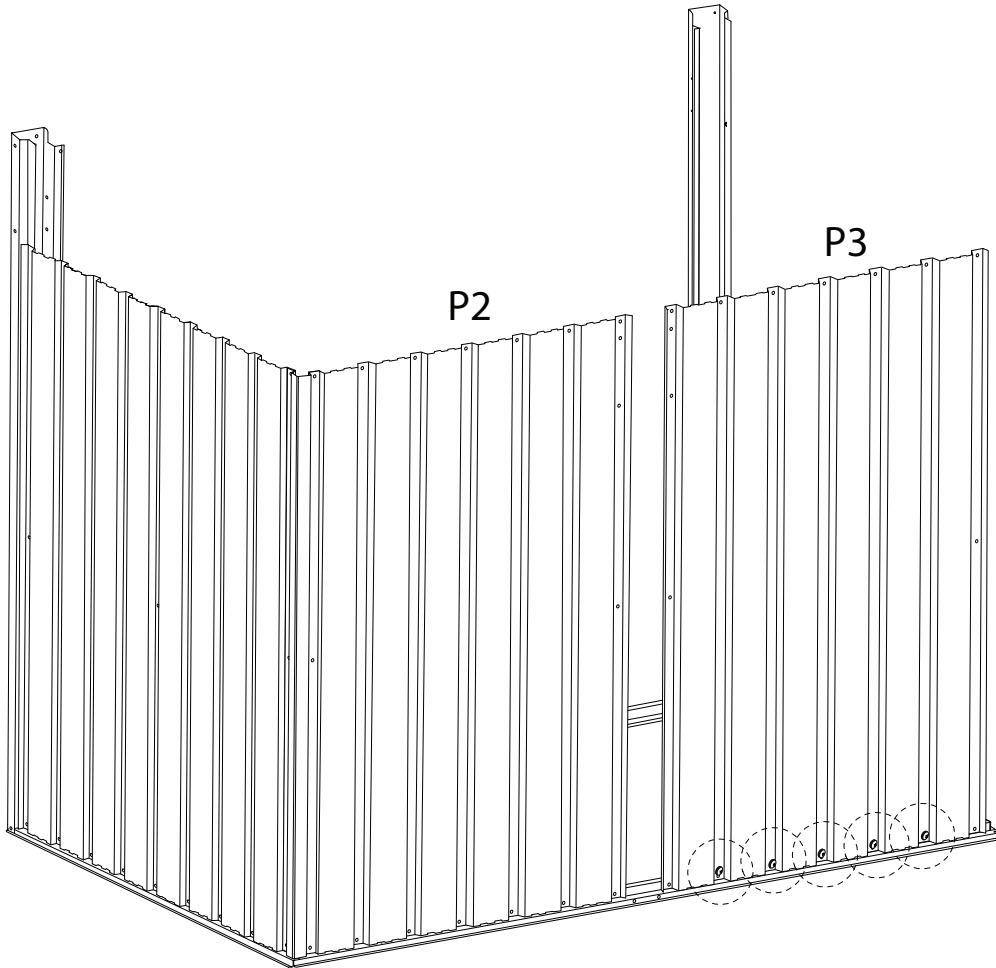


x 1

S3

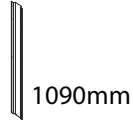


x 5



9

14



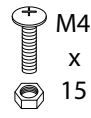
X 1

F1



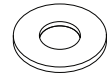
X 4

F2

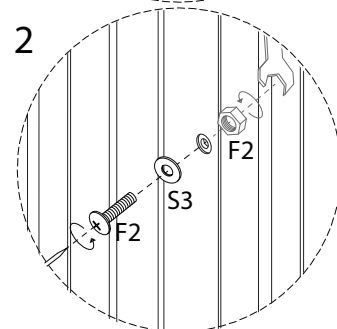
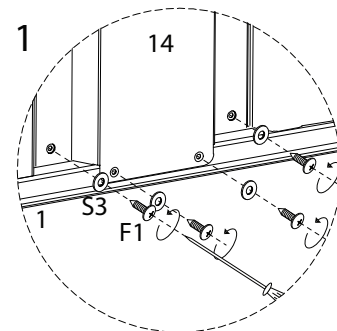
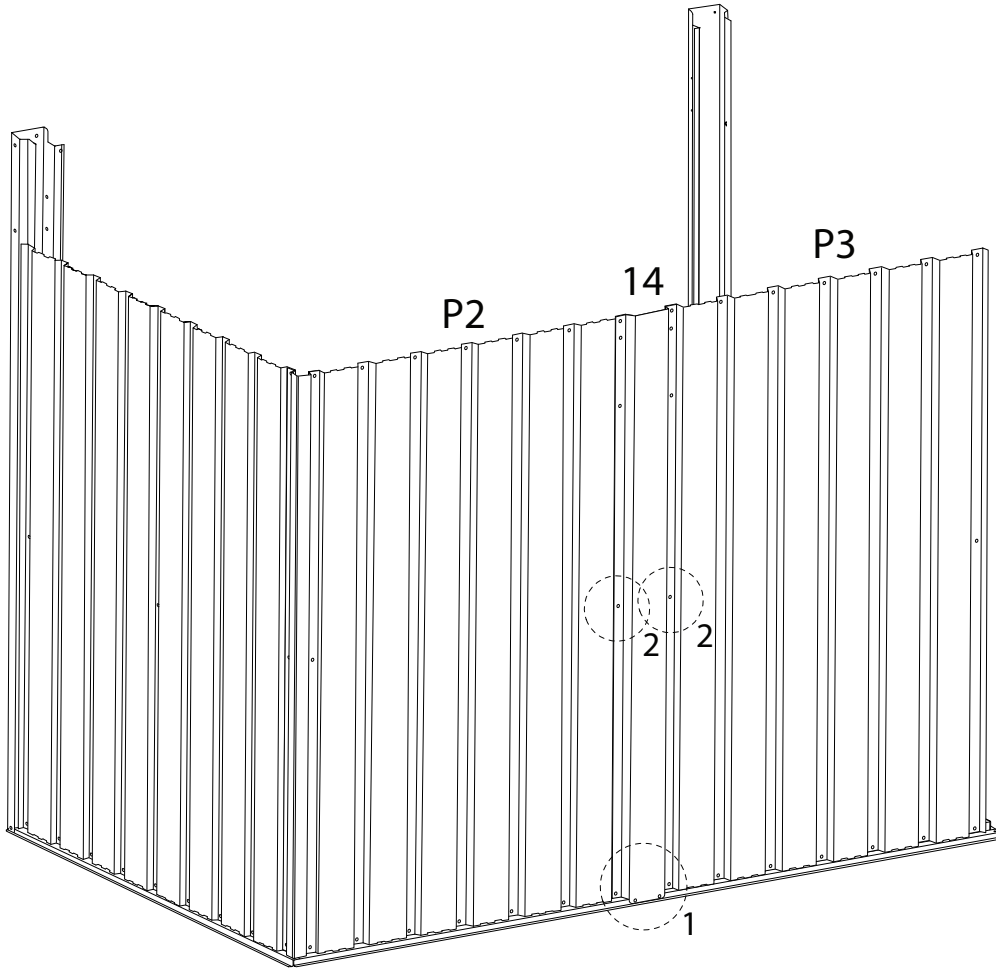


X 2

S3



X 6



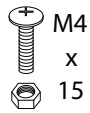
10

F1



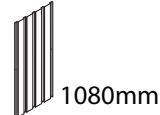
x 8

F2



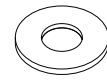
x 2

P1

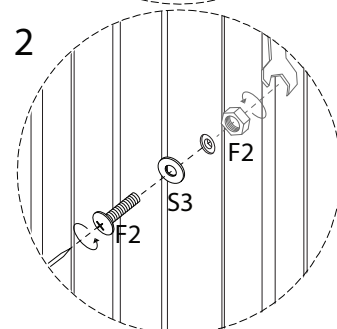
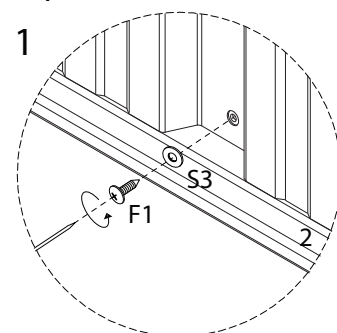
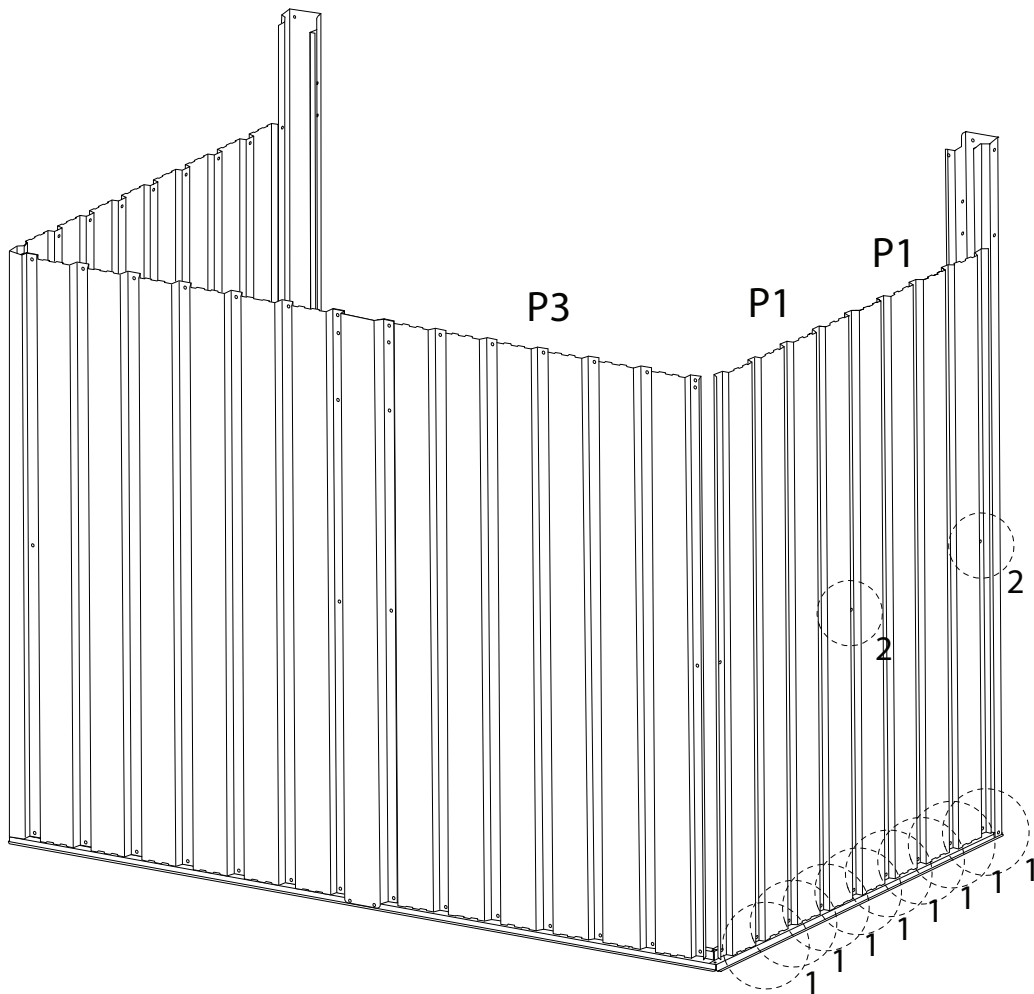


x 2

S3



x 10



11

13



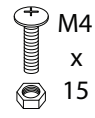
x 1

F1



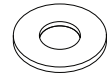
x 2

F2

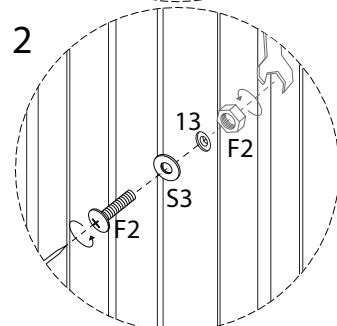
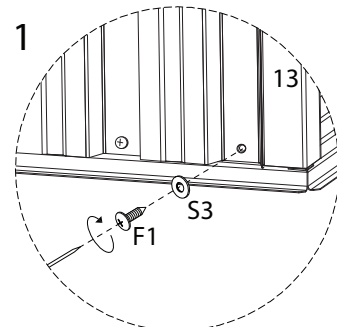
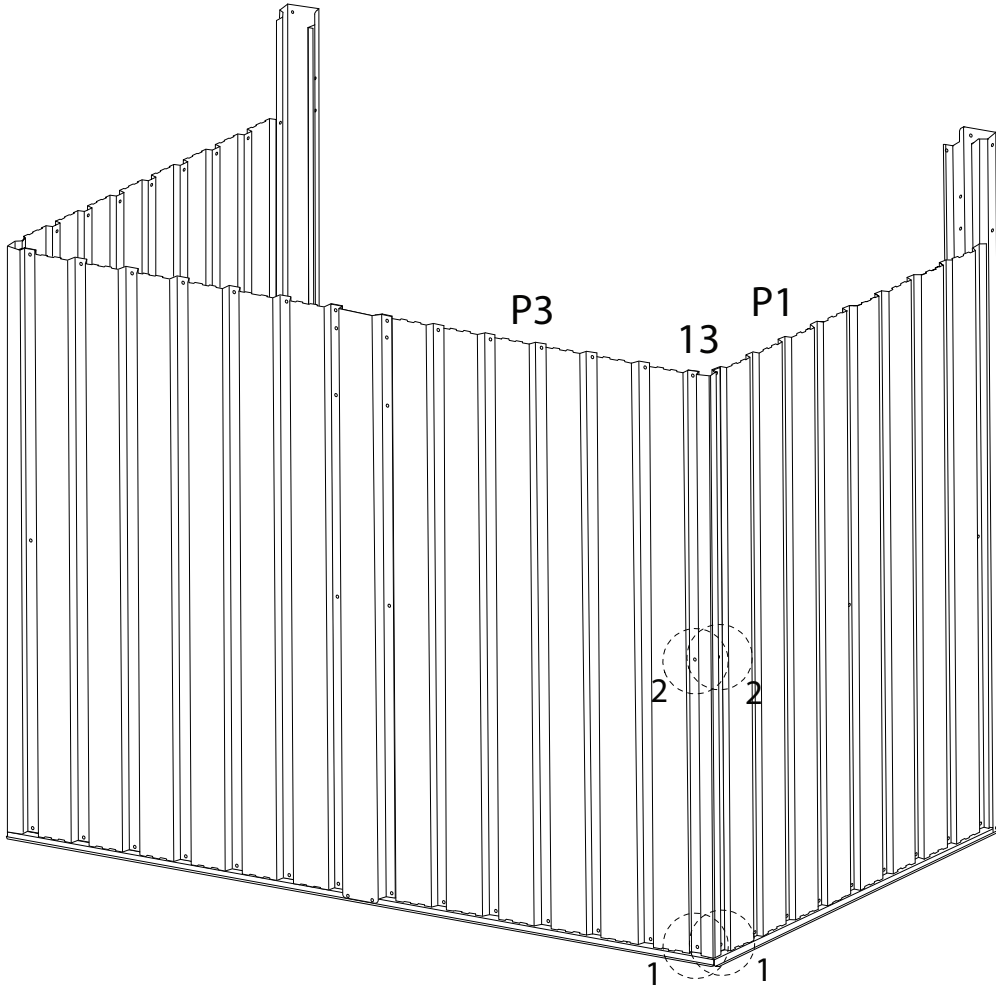


x 2

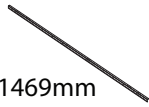

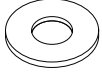
S3

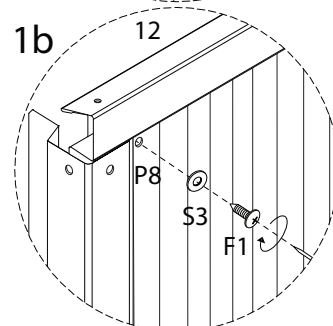
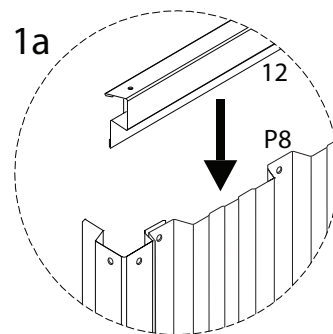
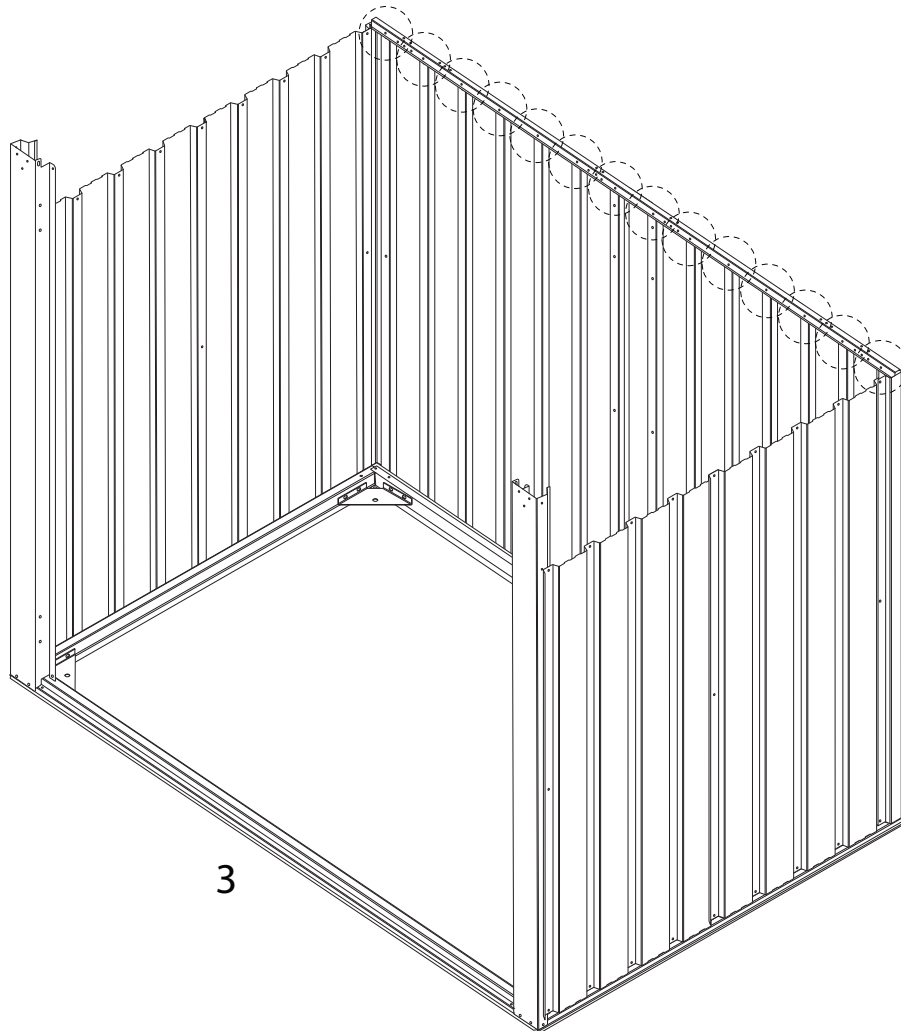


x 4

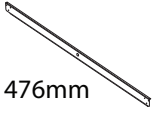

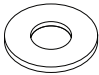


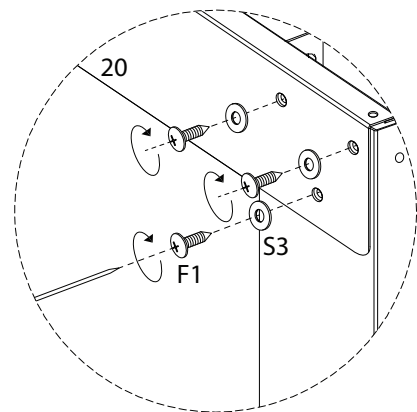
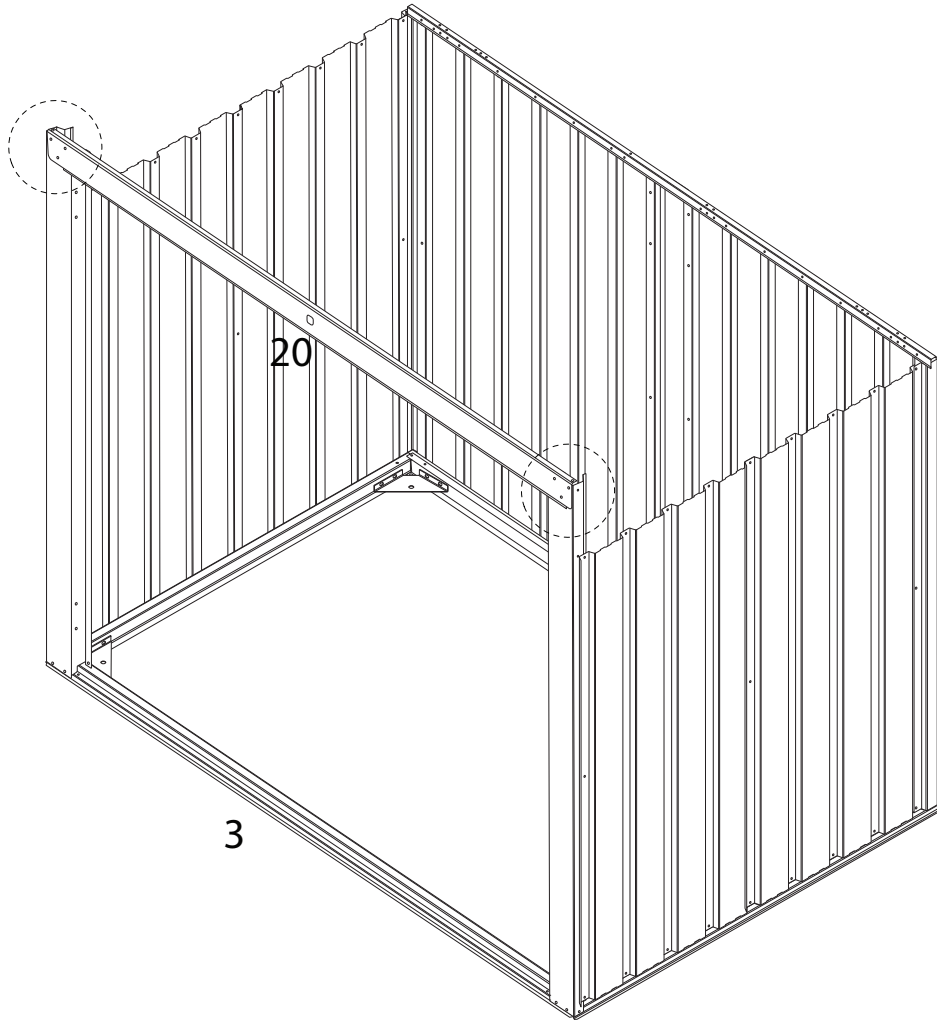
12

<p>19</p>  <p>1469mm</p> <p>x 1</p>	<p>F1</p>  <p>M4 x 10</p> <p>x 14</p>	<p>S3</p>  <p>x 14</p>
----------------------------------------------------------------------------------------------------------------------	--------------------------------------------------------------------------------------------------------------------------------	-----------------------------------------------------------------------------------------------------------

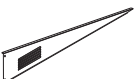
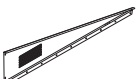
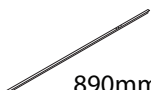
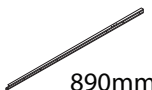

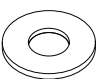


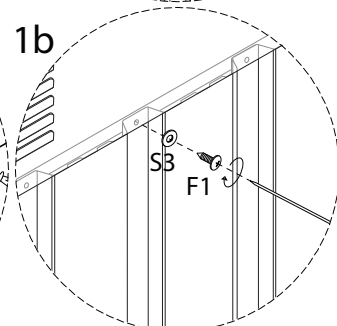
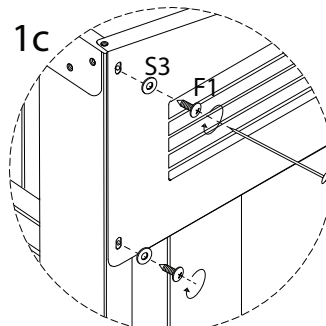
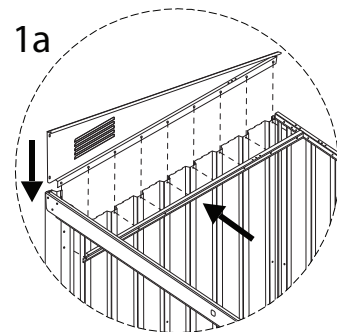
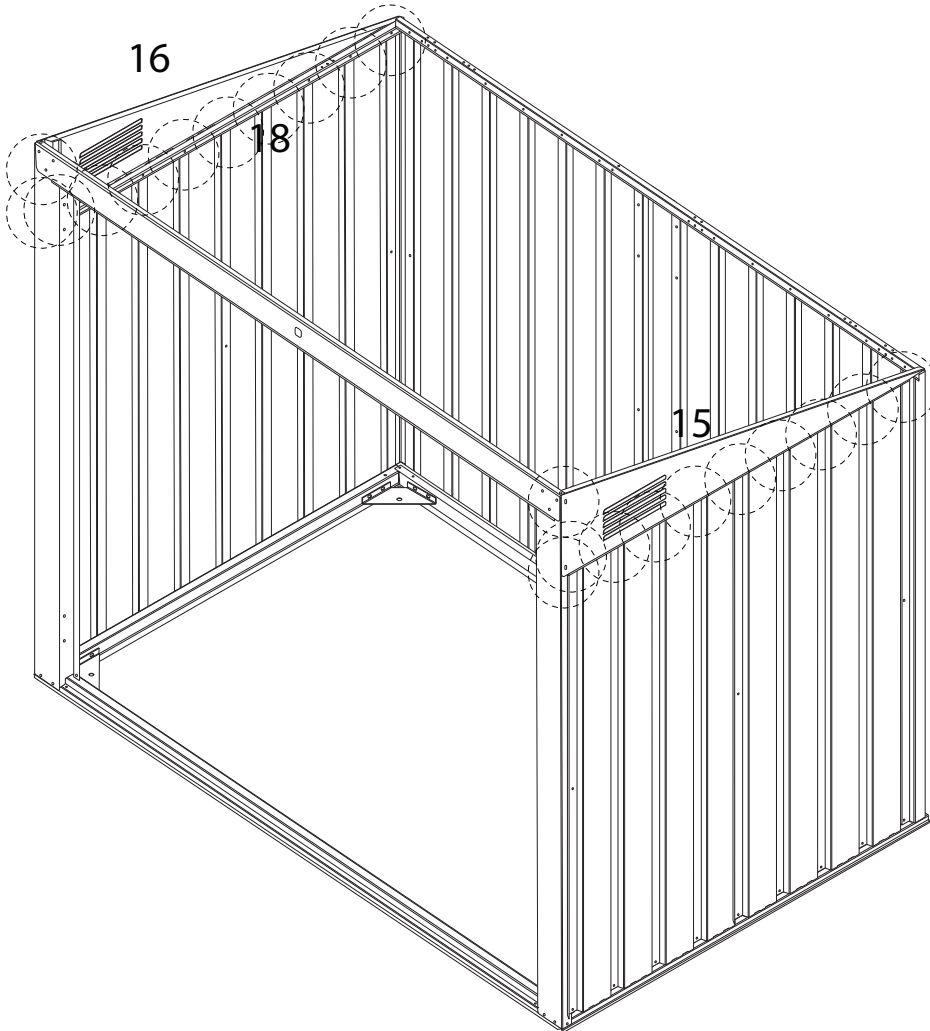
13

<p>20</p>  <p>1476mm</p> <p>x 1</p>	<p>F1</p>  <p>M4 x 10</p> <p>x 6</p>	<p>S3</p>  <p>x 6</p>
----------------------------------------------------------------------------------------------------------------------	-------------------------------------------------------------------------------------------------------------------------------	----------------------------------------------------------------------------------------------------------



14

15  x 1	16  x 1	17  890mm x 1	18  890mm x 1	F1  M4 x 10 x 22	S3  x 22
------------------------------------------------------------------------------------------------	------------------------------------------------------------------------------------------------	---------------------------------------------------------------------------------------------------------	----------------------------------------------------------------------------------------------------------	--------------------------------------------------------------------------------------------------------------------	---------------------------------------------------------------------------------------------------



15

F1



x 32

K1

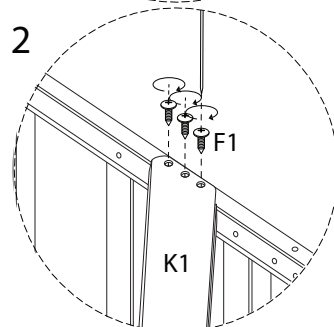
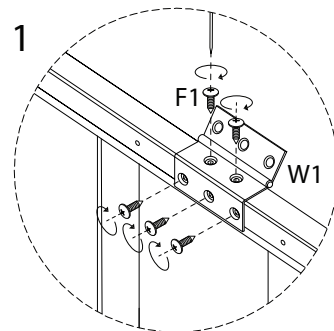
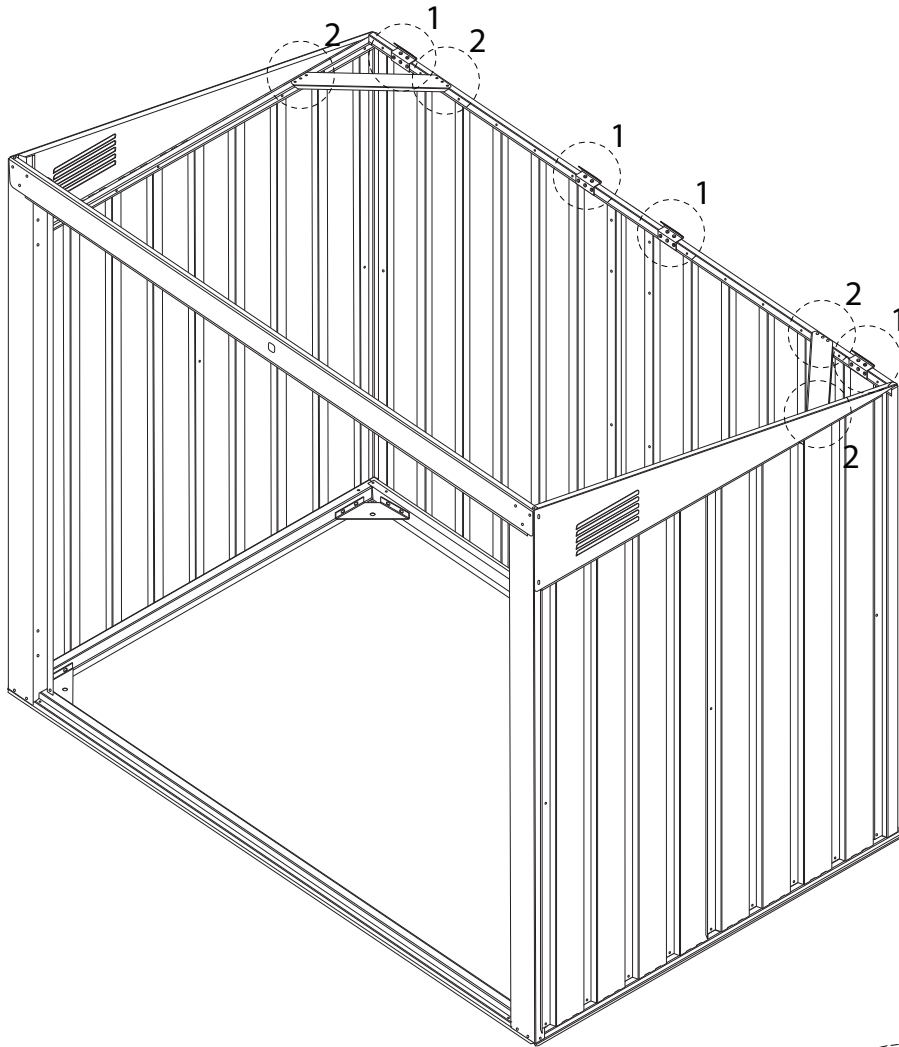


x 2

W1



x 4

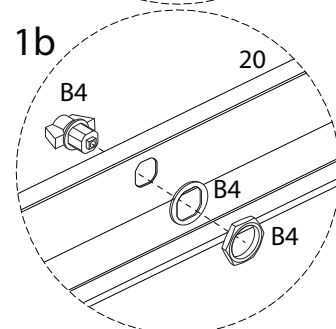
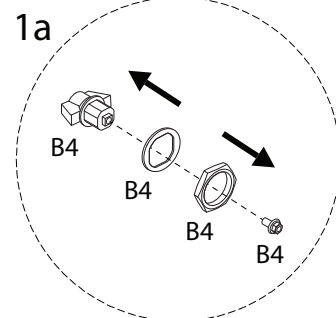
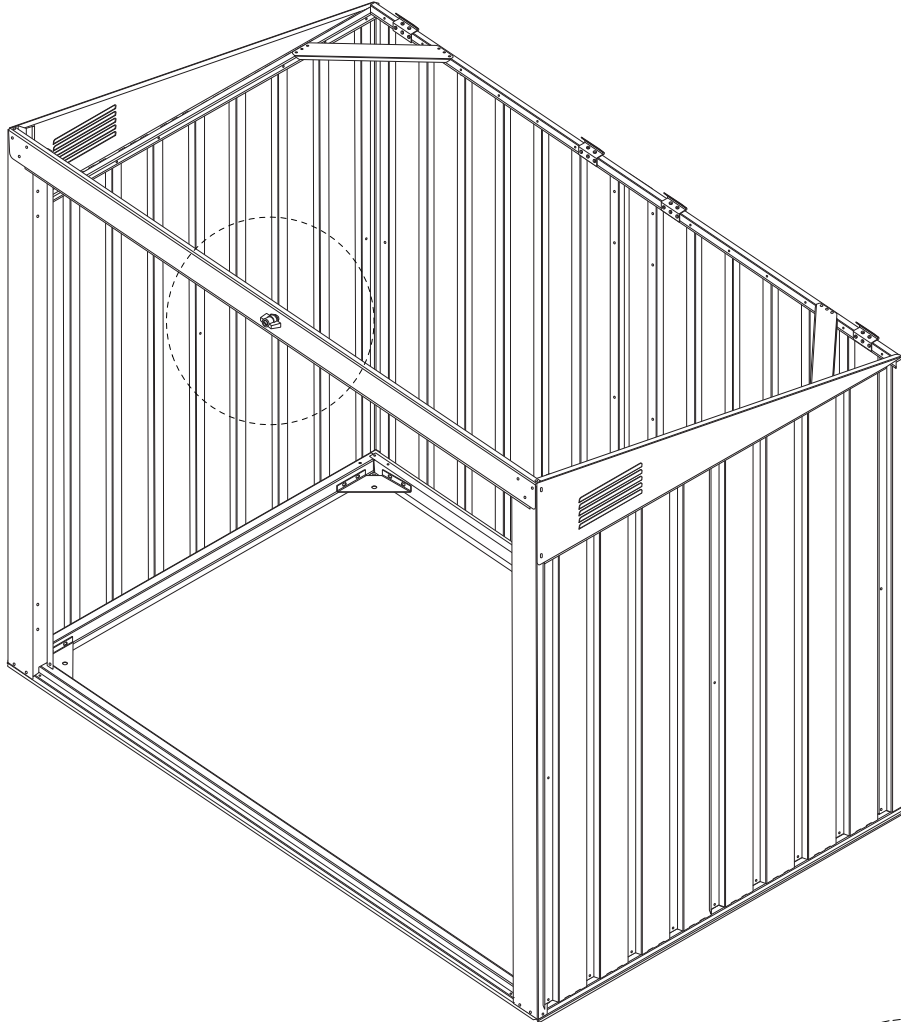


16

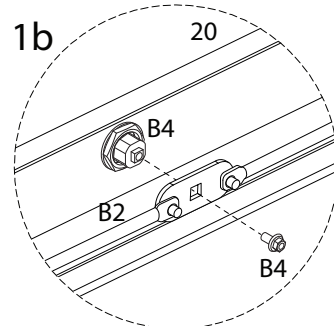
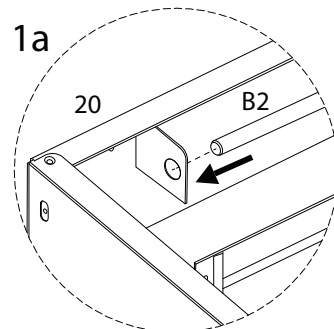
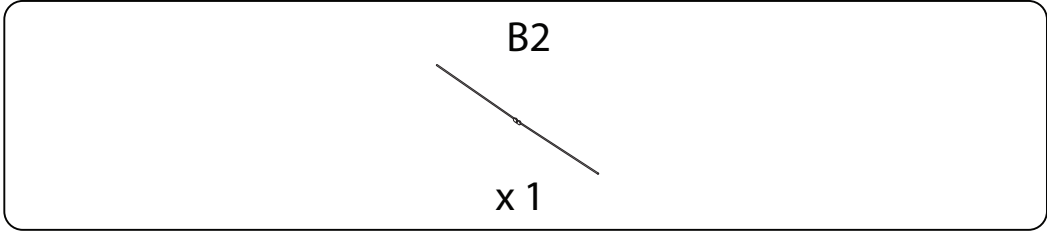
B4





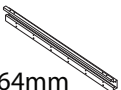

x 1

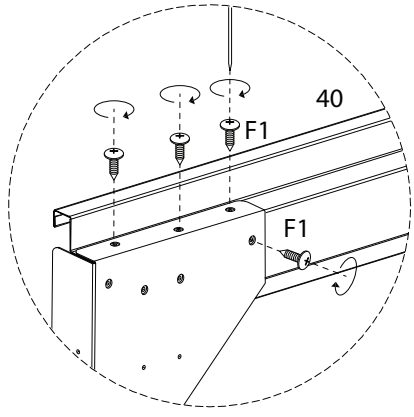
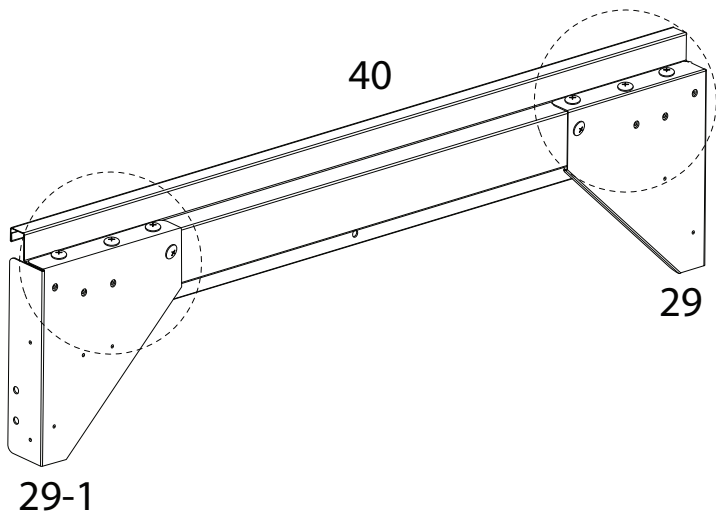


17



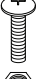



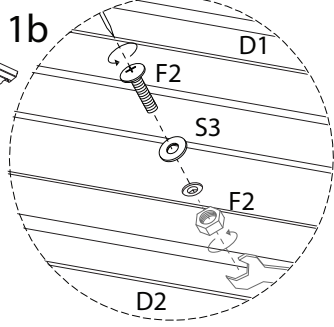
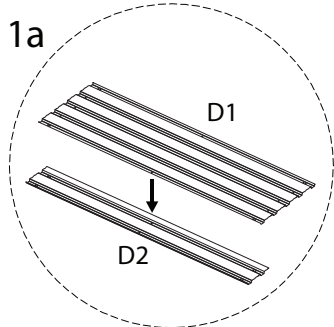
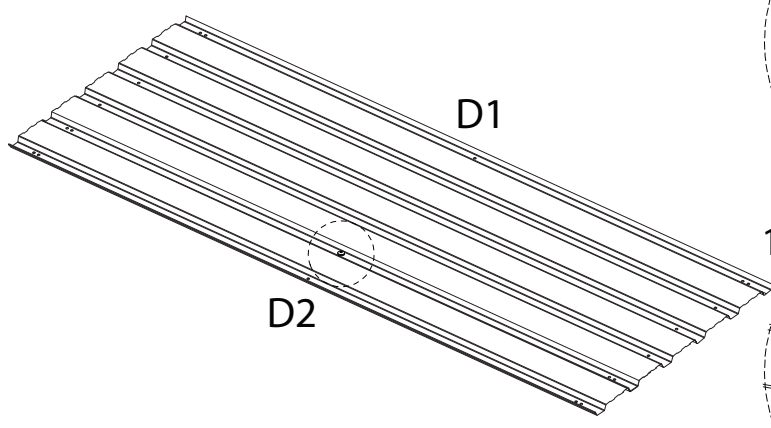
18 x 4

<p>29</p>  <p>x 1</p>	<p>29-1</p>  <p>x 1</p>	<p>40</p>  <p>664mm</p> <p>x 1</p>	<p>F1</p>  <p>M4 x 10</p> <p>x 8</p>
--------------------------------------------------------------------------------------------------------	----------------------------------------------------------------------------------------------------------	----------------------------------------------------------------------------------------------------------------------	---------------------------------------------------------------------------------------------------------------------------------



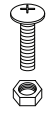



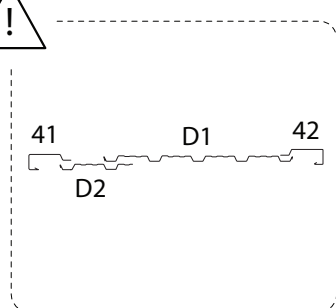
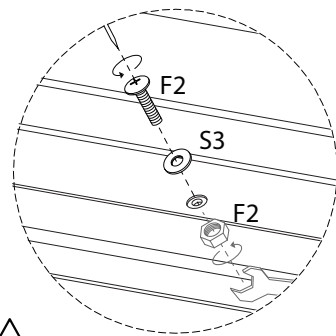
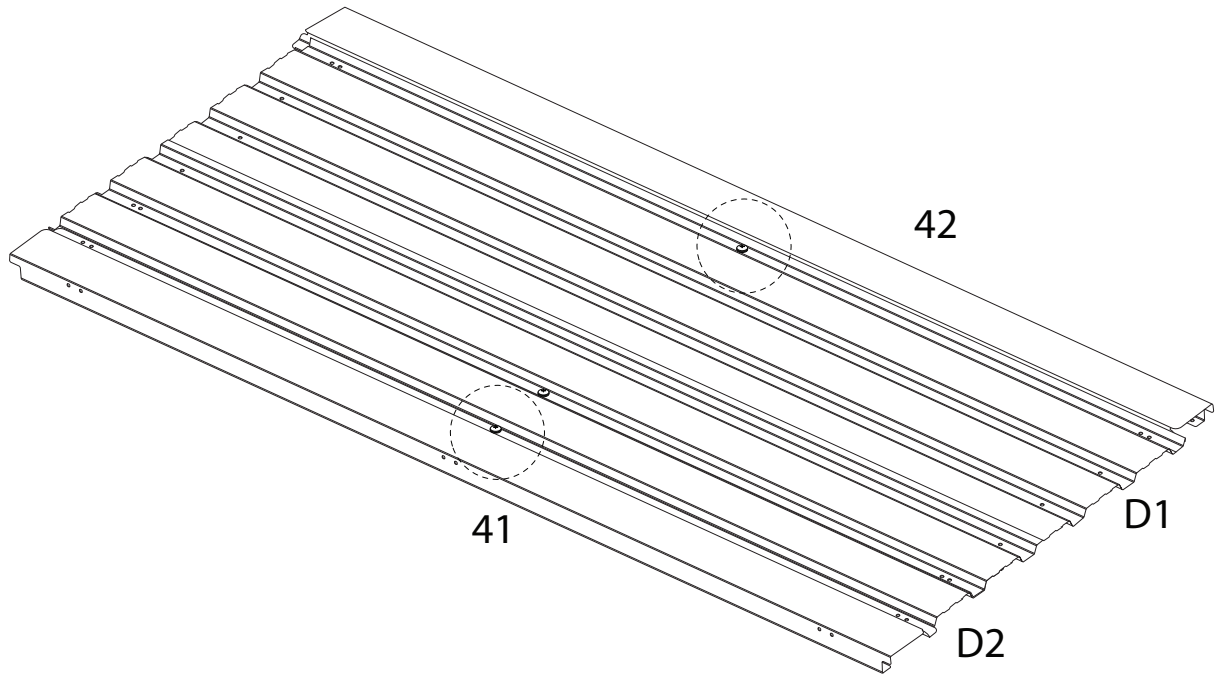
19 x 2

<p>D1</p>  <p>1202mm</p> <p>x 1</p>	<p>D2</p>  <p>1202mm</p> <p>x 1</p>	<p>F2</p>  <p>M4 x 15</p> <p>x 1</p>	<p>S3</p>  <p>x 1</p>
------------------------------------------------------------------------------------------------------------------------	------------------------------------------------------------------------------------------------------------------------	----------------------------------------------------------------------------------------------------------------------------------	------------------------------------------------------------------------------------------------------------



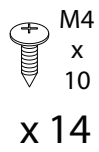
20

<p>41</p>  <p>1203mm</p> <p>X 1</p>	<p>42</p>  <p>1203mm</p> <p>X 1</p>	<p>F2</p>  <p>M4 x 15</p> <p>X 2</p>	<p>S3</p>  <p>X 2</p>
----------------------------------------------------------------------------------------------------------------------	----------------------------------------------------------------------------------------------------------------------	--------------------------------------------------------------------------------------------------------------------------------	----------------------------------------------------------------------------------------------------------

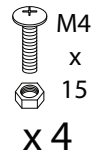


21

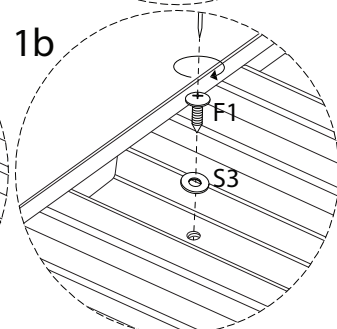
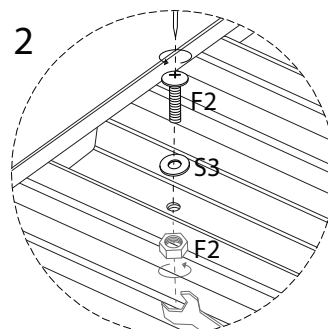
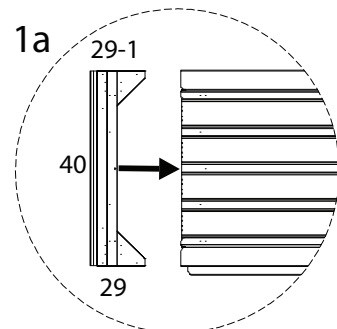
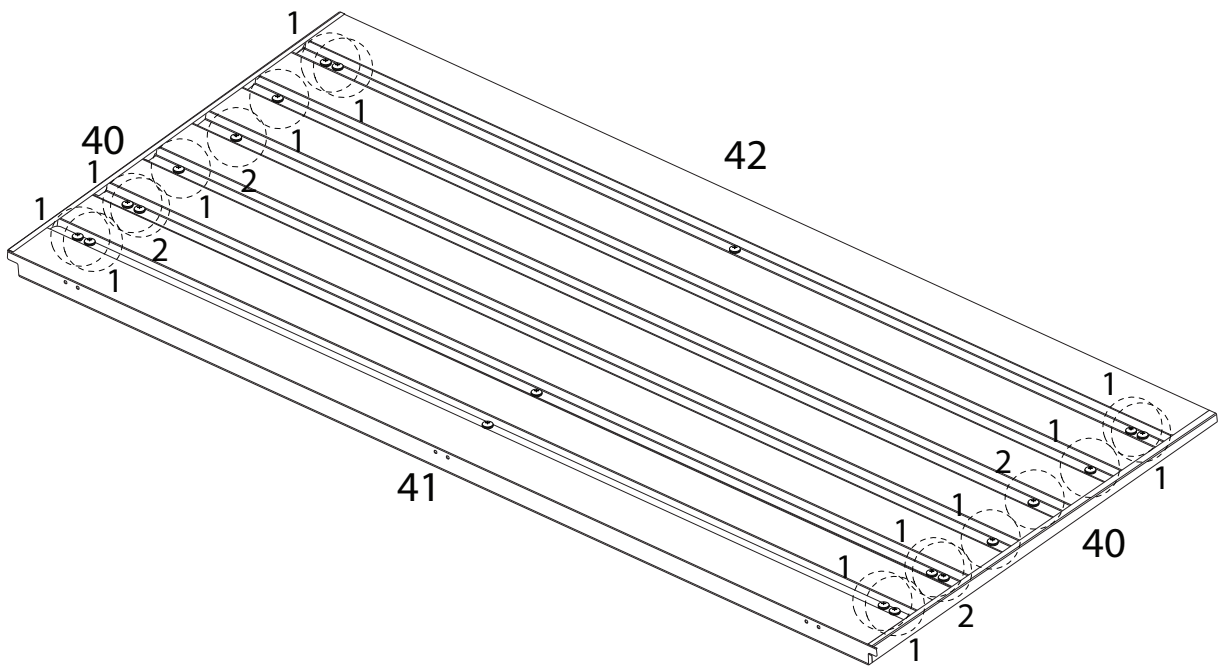
F1







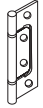
F2

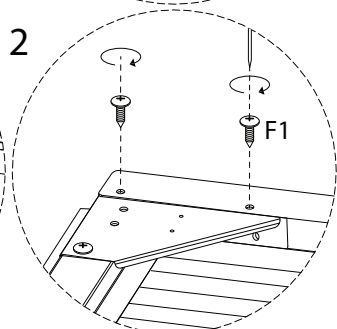
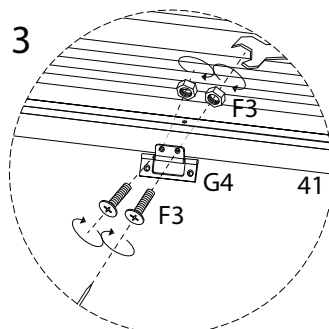
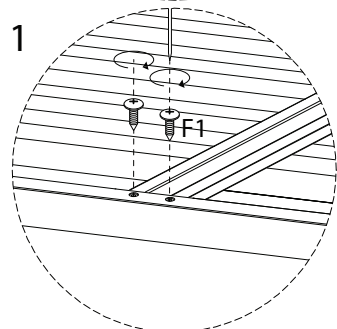
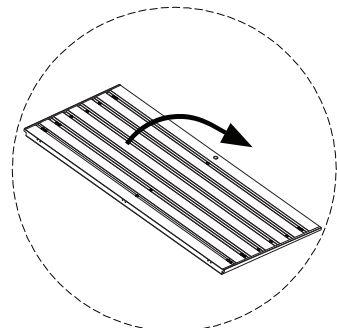
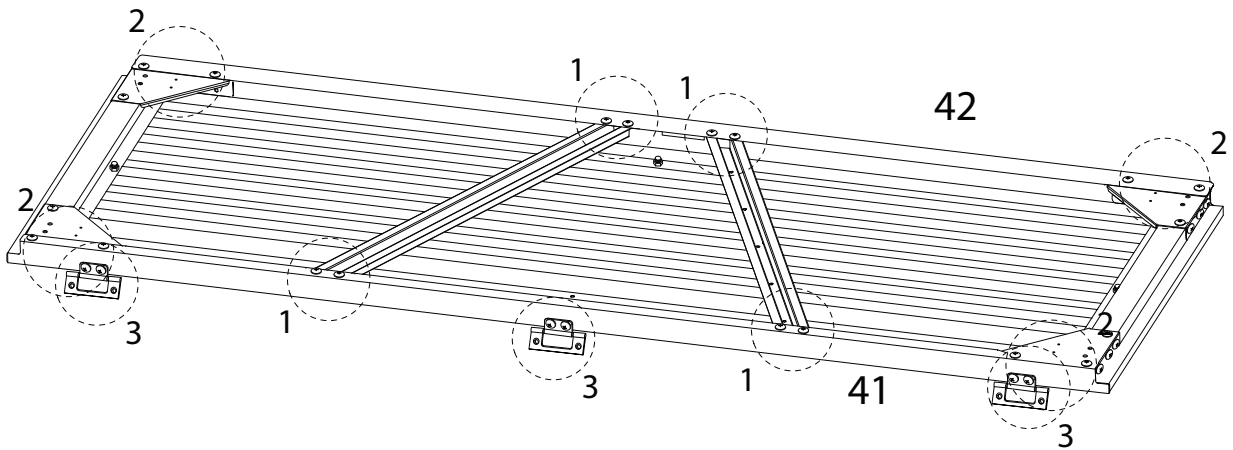


S3



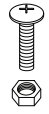



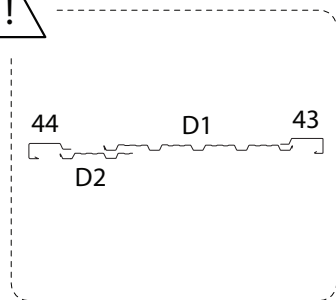
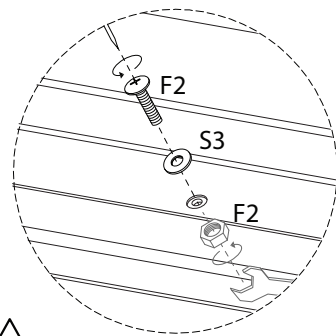
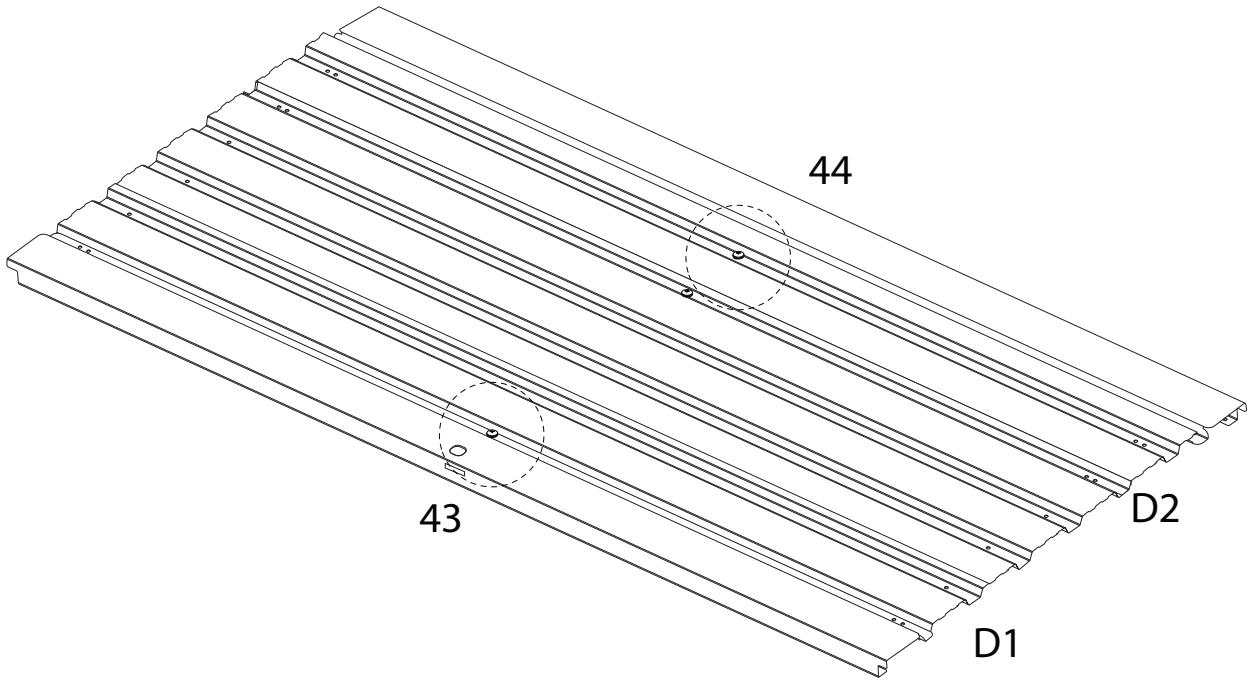
22

<p>55</p>  <p>744mm</p> <p>x 1</p>	<p>56</p>  <p>744mm</p> <p>x 1</p>	<p>F1</p>  <p>M4 x 10</p> <p>x 16</p>	<p>F3</p>  <p>M4 x 12</p> <p>x 6</p>	<p>G4</p>  <p>x 3</p>
---------------------------------------------------------------------------------------------------------------------	---------------------------------------------------------------------------------------------------------------------	--------------------------------------------------------------------------------------------------------------------------------	---------------------------------------------------------------------------------------------------------------------------------	----------------------------------------------------------------------------------------------------------



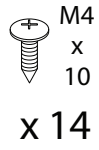
23

<p>43</p>  <p>1203mm</p> <p>X 1</p>	<p>44</p>  <p>1203mm</p> <p>X 1</p>	<p>F2</p>  <p>M4 x 15</p> <p>X 2</p>	<p>S3</p>  <p>X 2</p>
----------------------------------------------------------------------------------------------------------------------	----------------------------------------------------------------------------------------------------------------------	--------------------------------------------------------------------------------------------------------------------------------	----------------------------------------------------------------------------------------------------------

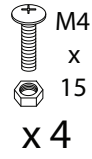


24

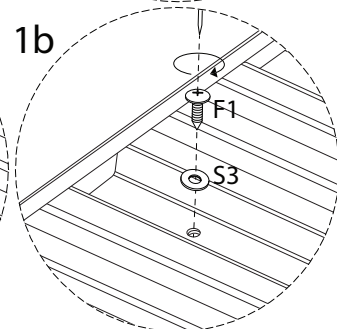
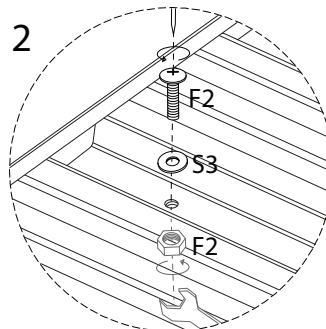
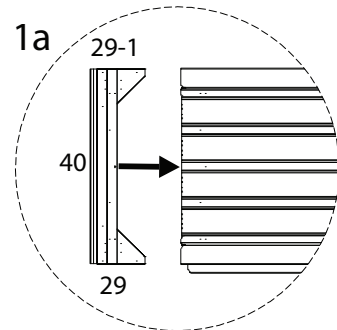
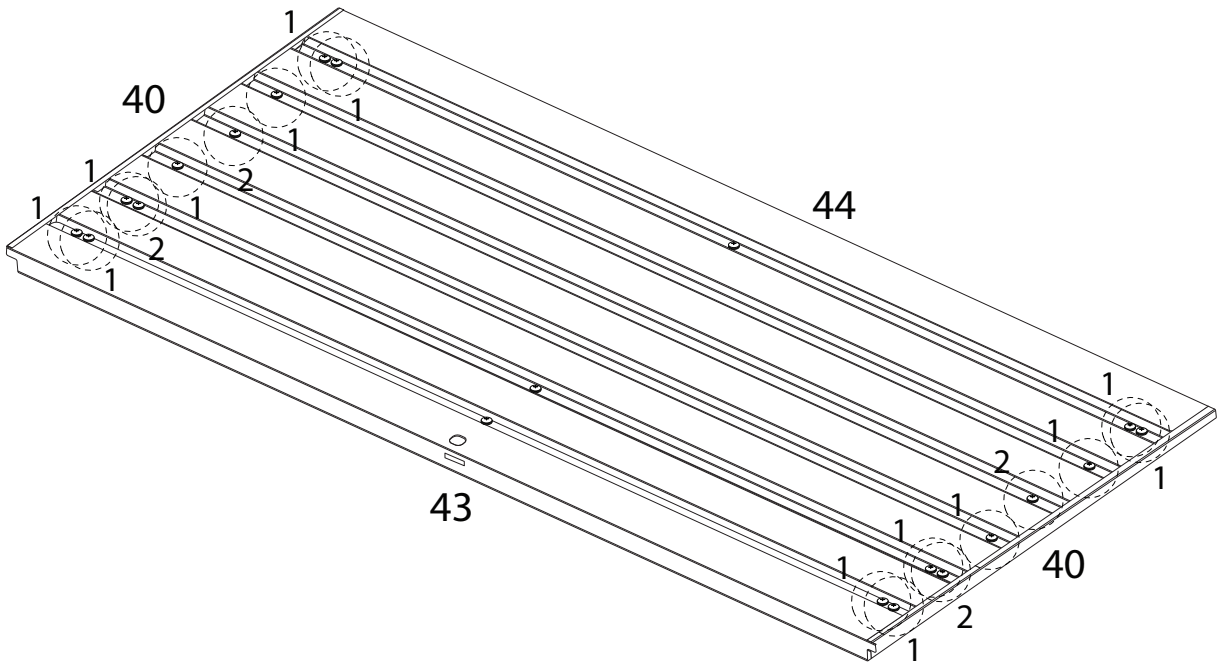
F1







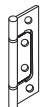
F2

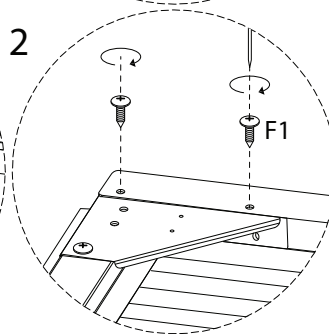
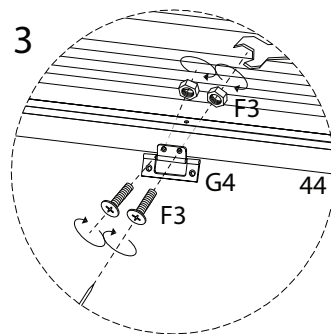
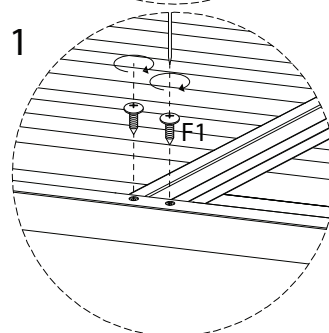
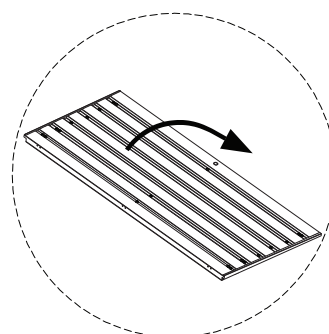
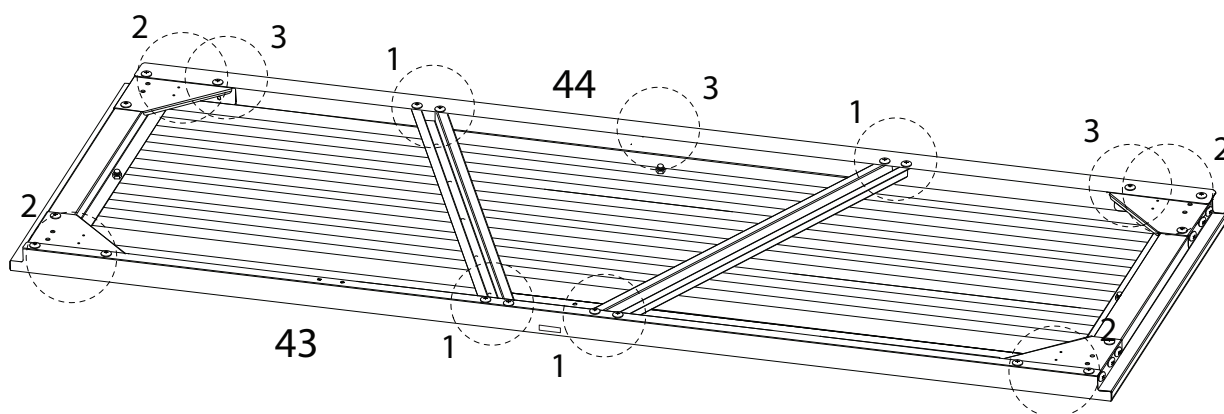


S3



25

<p>55</p>  <p>744mm</p> <p>x 1</p>	<p>56</p>  <p>744mm</p> <p>x 1</p>	<p>F1</p>  <p>M4 x 10</p> <p>x 16</p>	<p>F3</p>  <p>M4 x 12</p> <p>x 6</p>	<p>G4</p>  <p>x 3</p>
---------------------------------------------------------------------------------------------------------------------	---------------------------------------------------------------------------------------------------------------------	--------------------------------------------------------------------------------------------------------------------------------	---------------------------------------------------------------------------------------------------------------------------------	----------------------------------------------------------------------------------------------------------

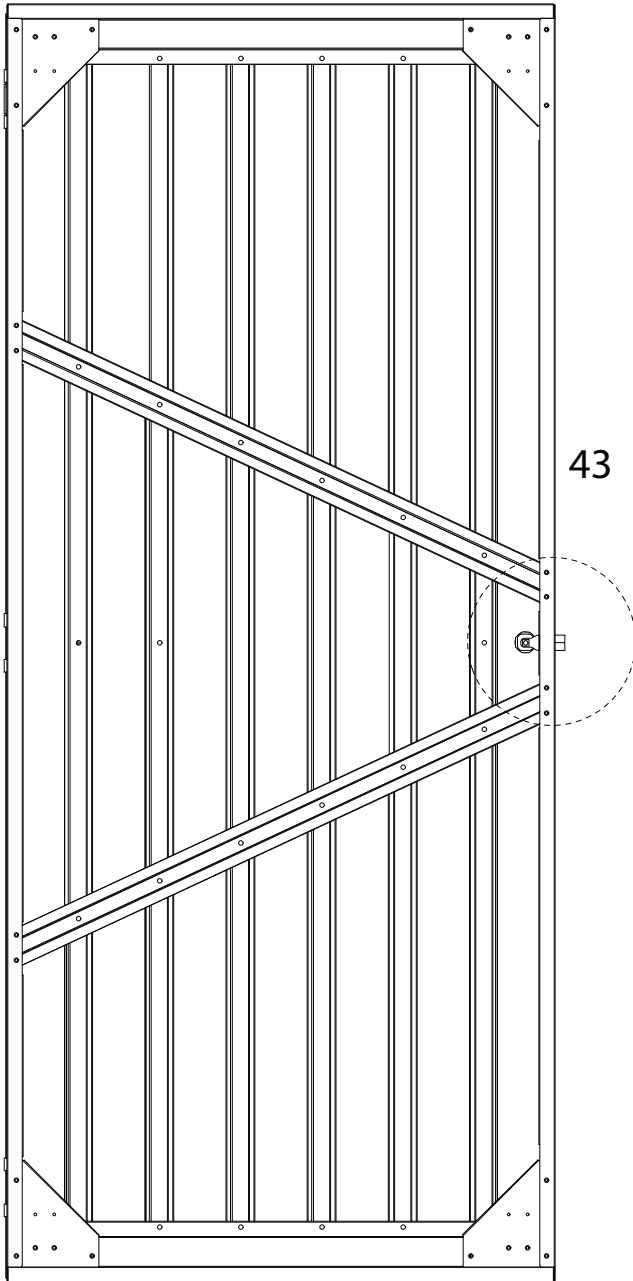


26

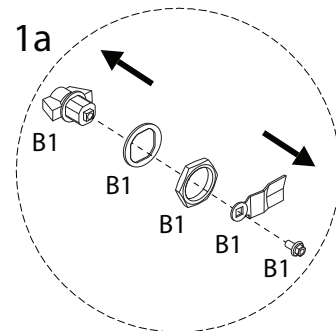
B1



x 1



43



1a

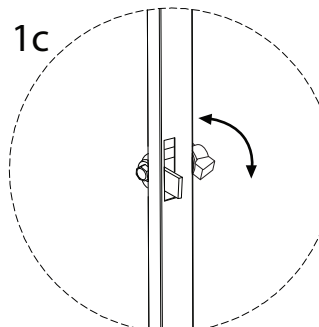
B1

B1

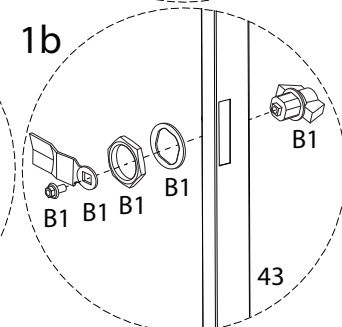
B1

B1

B1



1c



1b

B1

B1

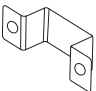

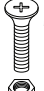

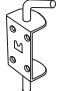
B1

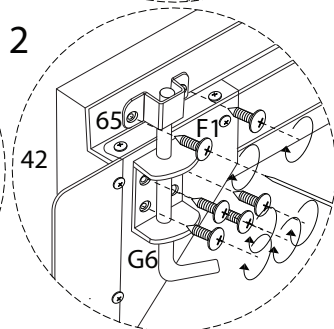
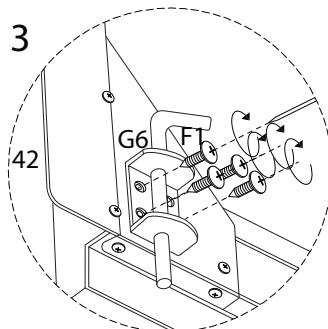
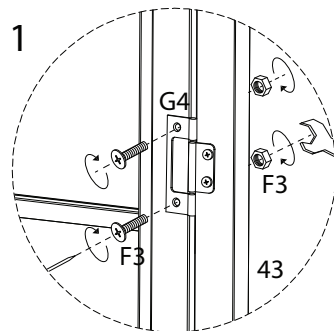
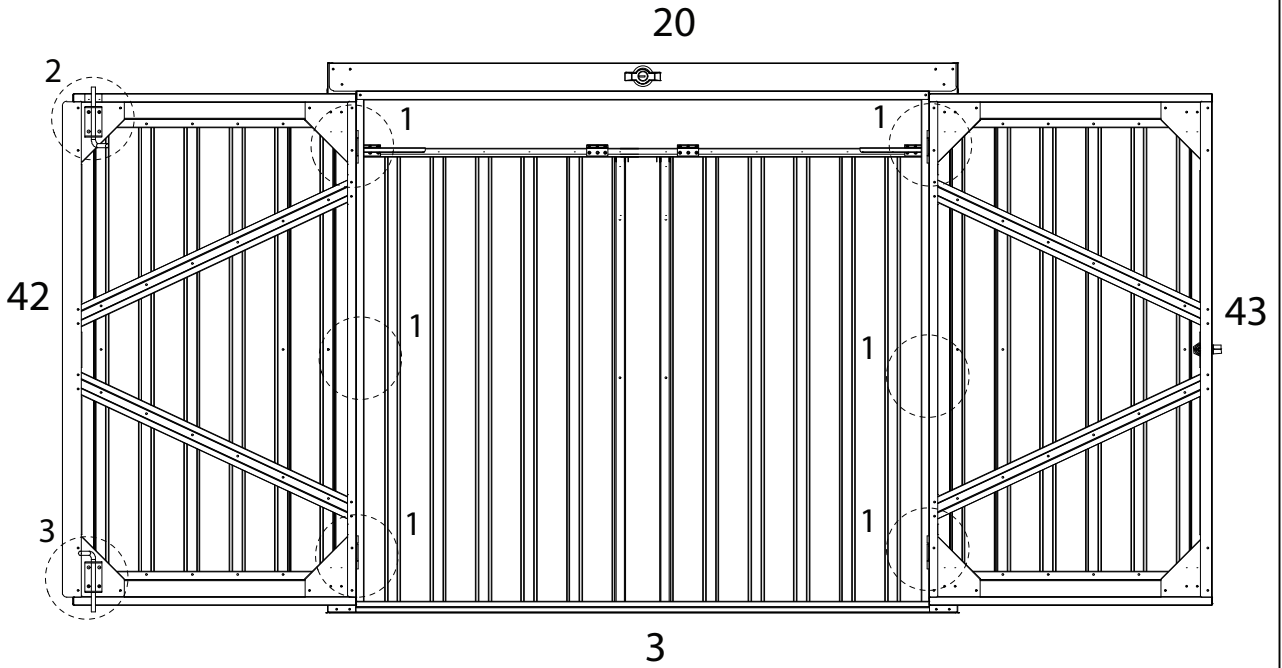
B1

B1

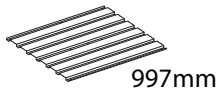
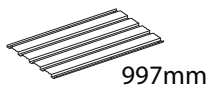
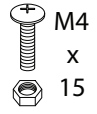
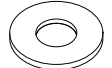
43

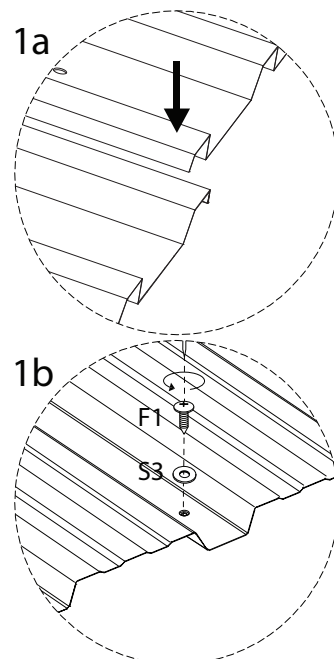
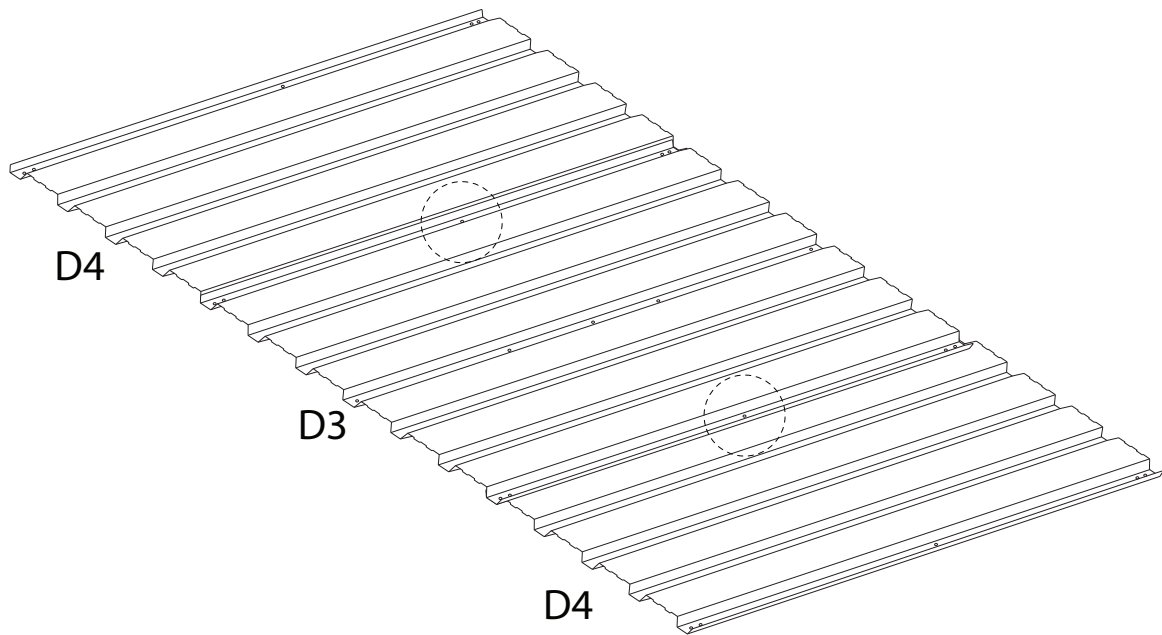
27

<p>65</p>  <p>x 1</p>	<p>F1</p>  <p>M4 x 10</p> <p>x 10</p>	<p>F3</p>  <p>M4 x 12</p>  <p>x 12</p>	<p>G6</p>  <p>x 2</p>
--------------------------------------------------------------------------------------------------------	--------------------------------------------------------------------------------------------------------------------------------	--------------------------------------------------------------------------------------------------------------------------------------------------------------------------------------------------------------------	----------------------------------------------------------------------------------------------------------




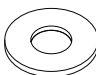


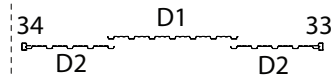
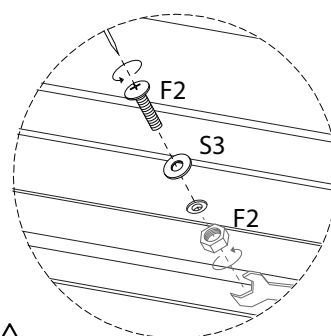
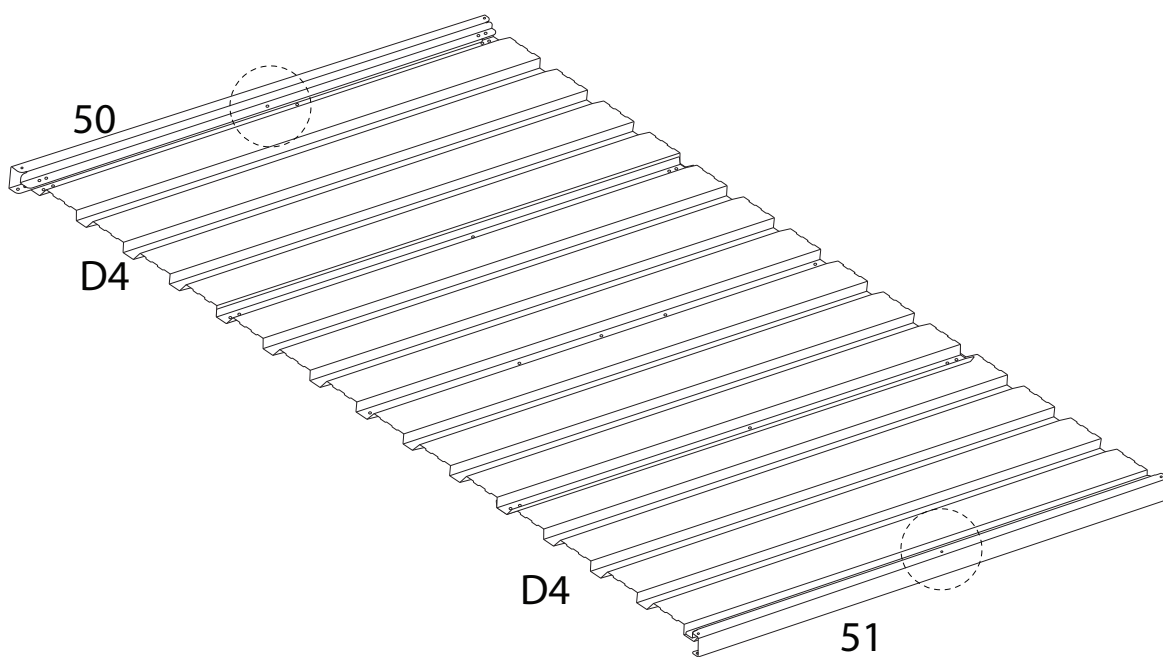
28

<p>D3</p>  <p>997mm</p> <p>x 1</p>	<p>D4</p>  <p>997mm</p> <p>x 2</p>	<p>F2</p>  <p>M4 x 15</p> <p>x 2</p>	<p>S3</p>  <p>x 2</p>
---------------------------------------------------------------------------------------------------------------------	---------------------------------------------------------------------------------------------------------------------	--------------------------------------------------------------------------------------------------------------------------------	----------------------------------------------------------------------------------------------------------

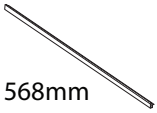
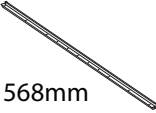
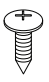
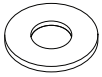


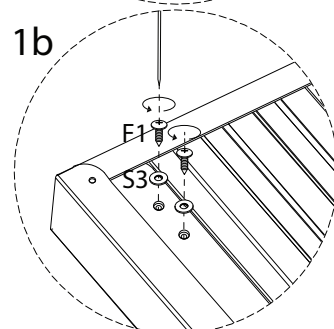
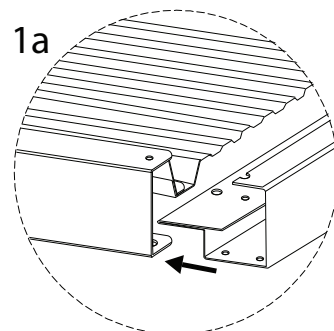
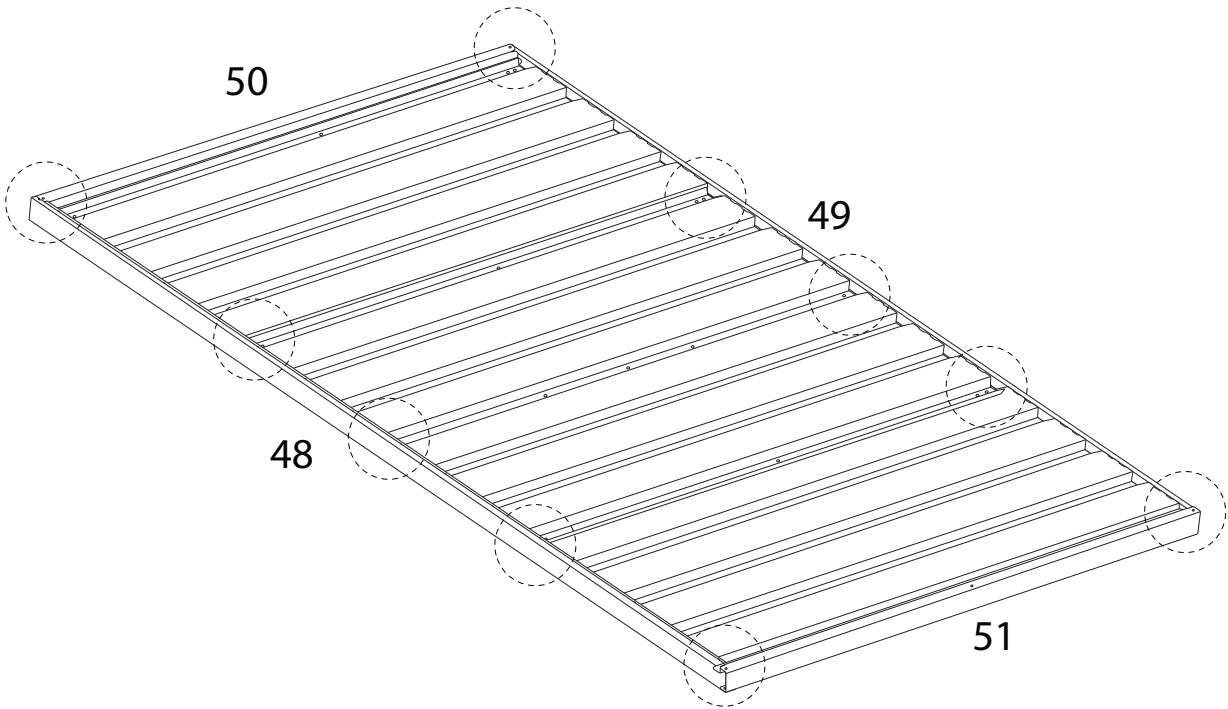
29

<p>50</p>  <p>998mm</p> <p>x 1</p>	<p>51</p>  <p>998mm</p> <p>x 1</p>	<p>F2</p>  <p>M4 x 15</p> <p>x 2</p>	<p>S3</p>  <p>x 2</p>
---------------------------------------------------------------------------------------------------------------------	---------------------------------------------------------------------------------------------------------------------	--------------------------------------------------------------------------------------------------------------------------------	----------------------------------------------------------------------------------------------------------



30

<p>48</p>  <p>1568mm</p> <p>x 1</p>	<p>49</p>  <p>1568mm</p> <p>x 1</p>	<p>F1</p>  <p>M4 x 10</p> <p>x 10</p>	<p>S3</p>  <p>x 10</p>
----------------------------------------------------------------------------------------------------------------------	----------------------------------------------------------------------------------------------------------------------	---------------------------------------------------------------------------------------------------------------------------------	-----------------------------------------------------------------------------------------------------------



31

F1

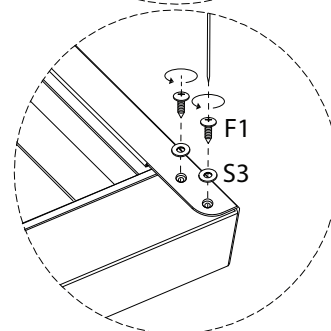
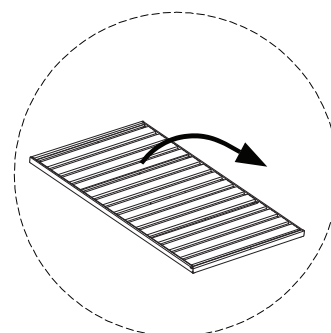
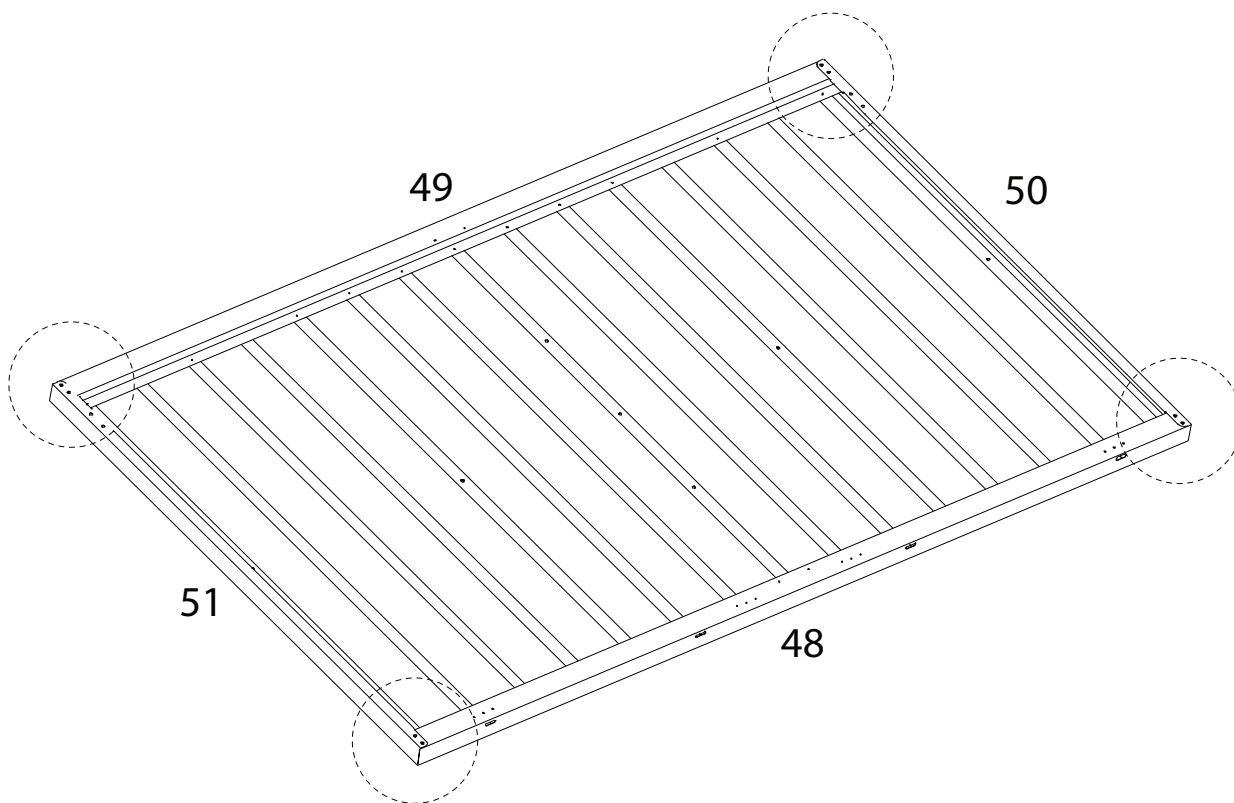


x 8

S3

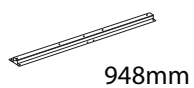


x 8



32

52

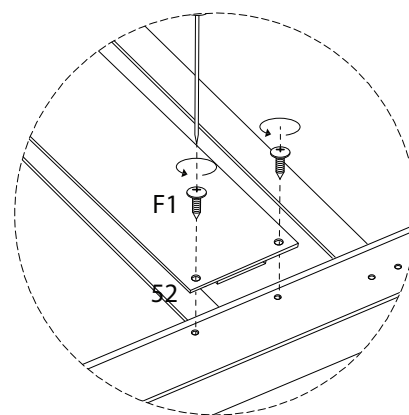
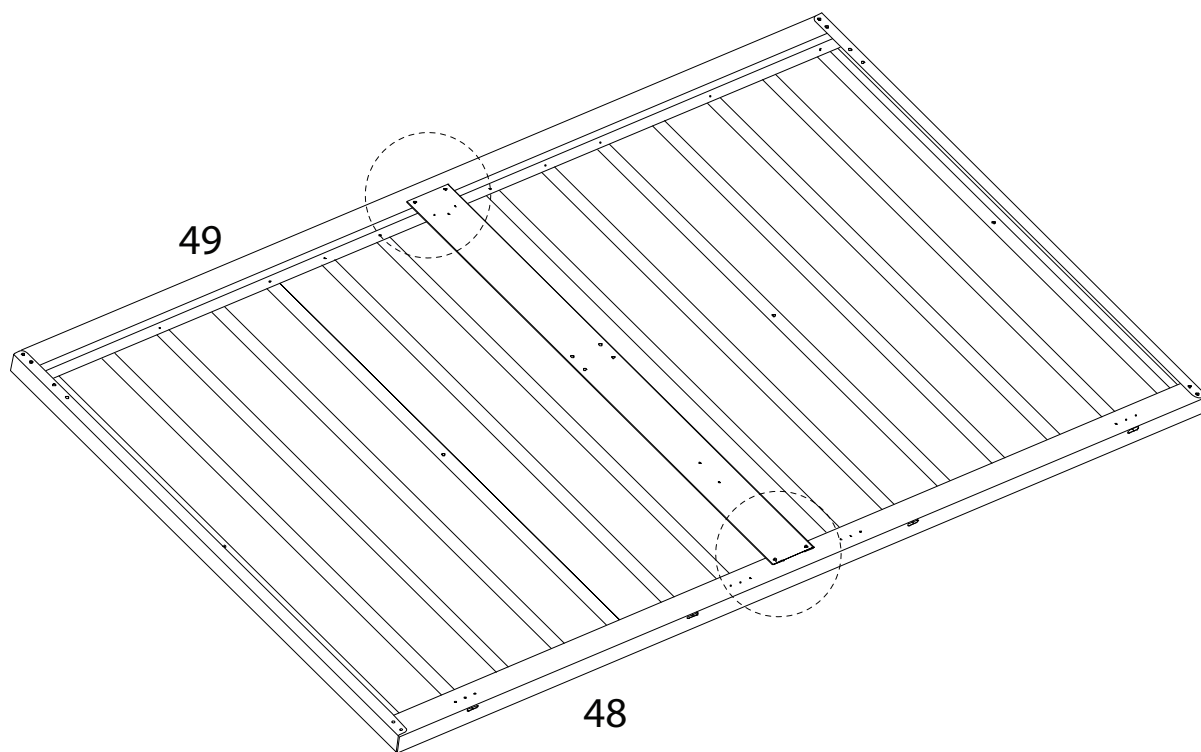


x 1

F1

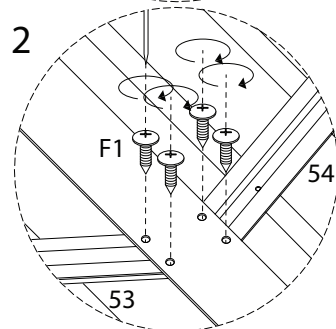
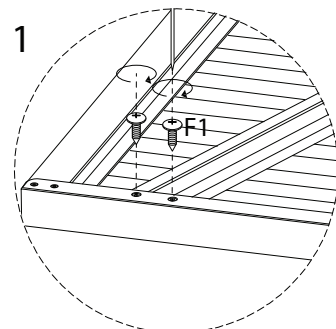
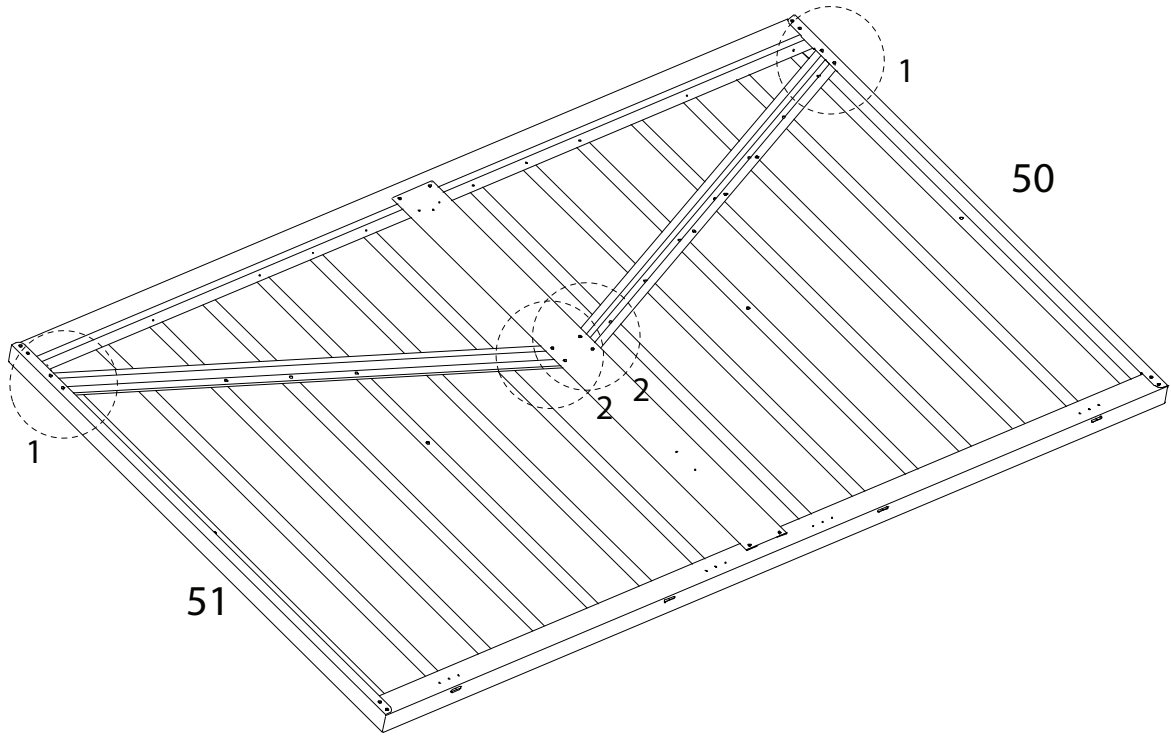


x 4



33

<p>53 857mm x 1</p>	<p>54 857mm x 1</p>	<p>F1 M4 x 10 x 8</p>
-----------------------------	-----------------------------	-----------------------------------



34

BL



x 1

BR

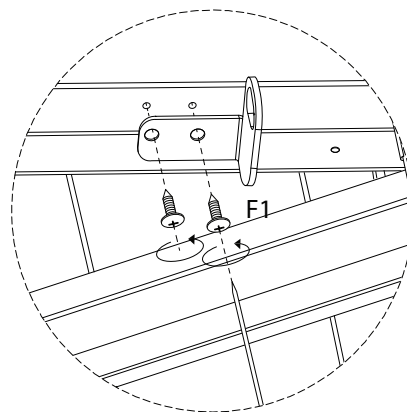
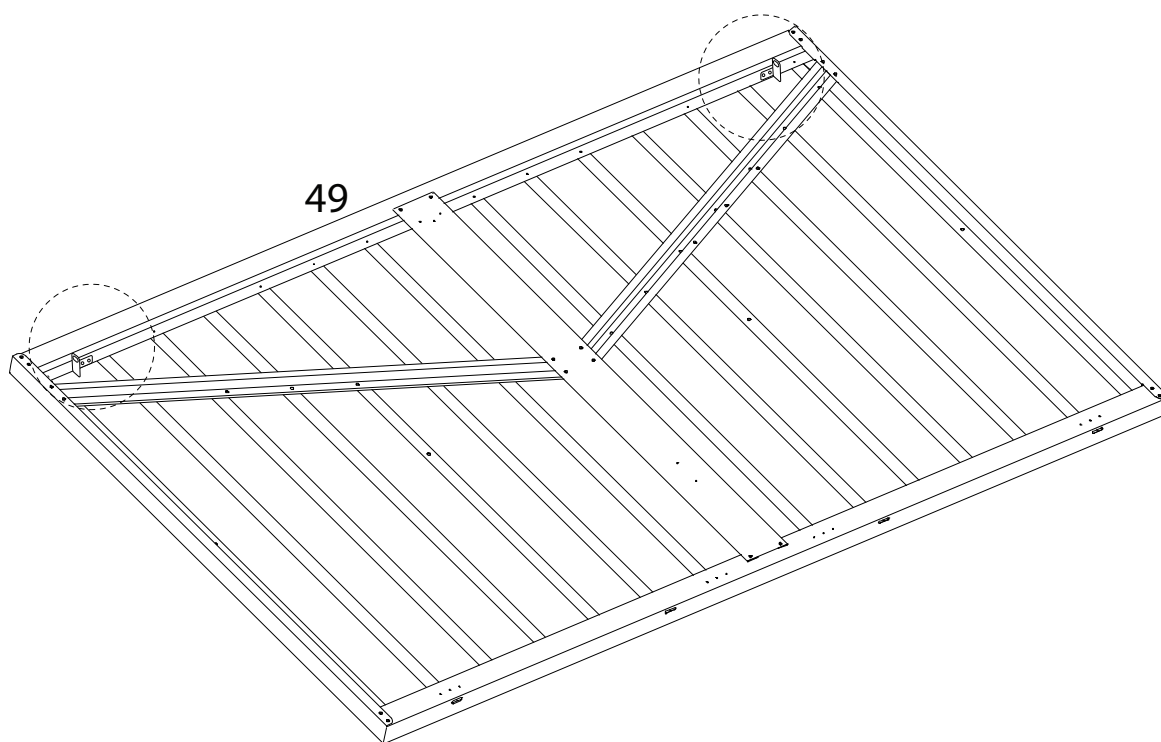


x 1

F1



x 4



35

GC



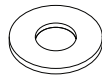
x 4

F1

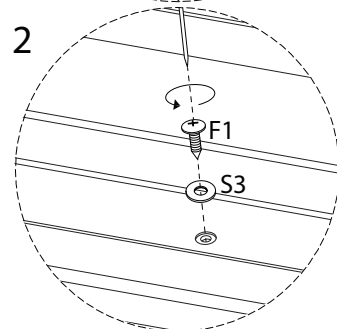
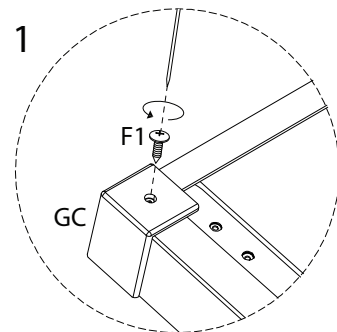
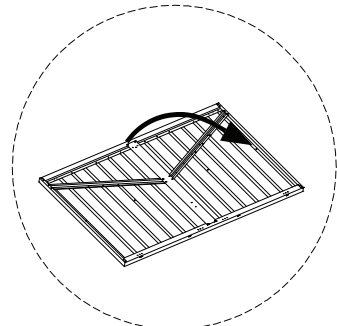
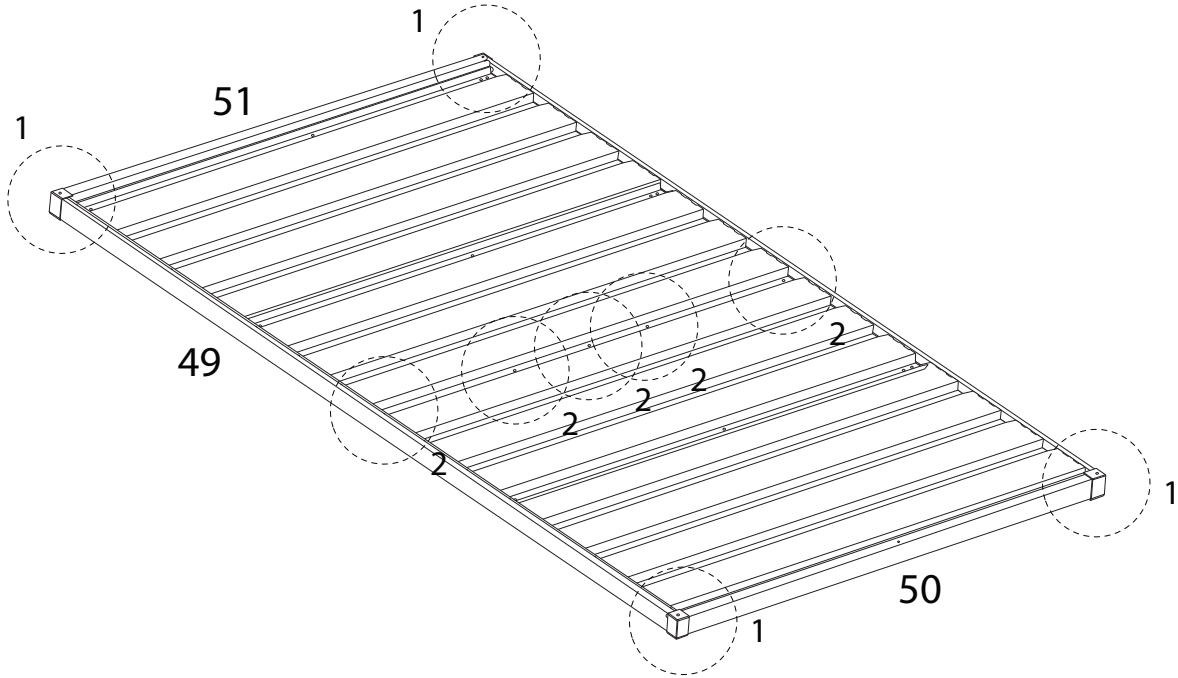


x 9

S3

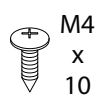


x 5



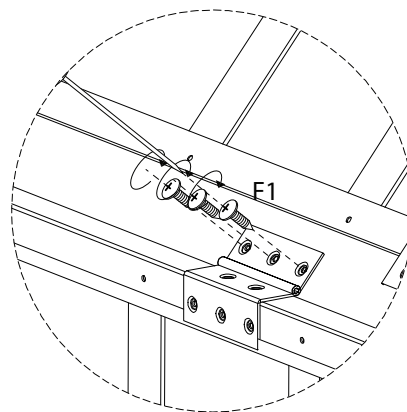
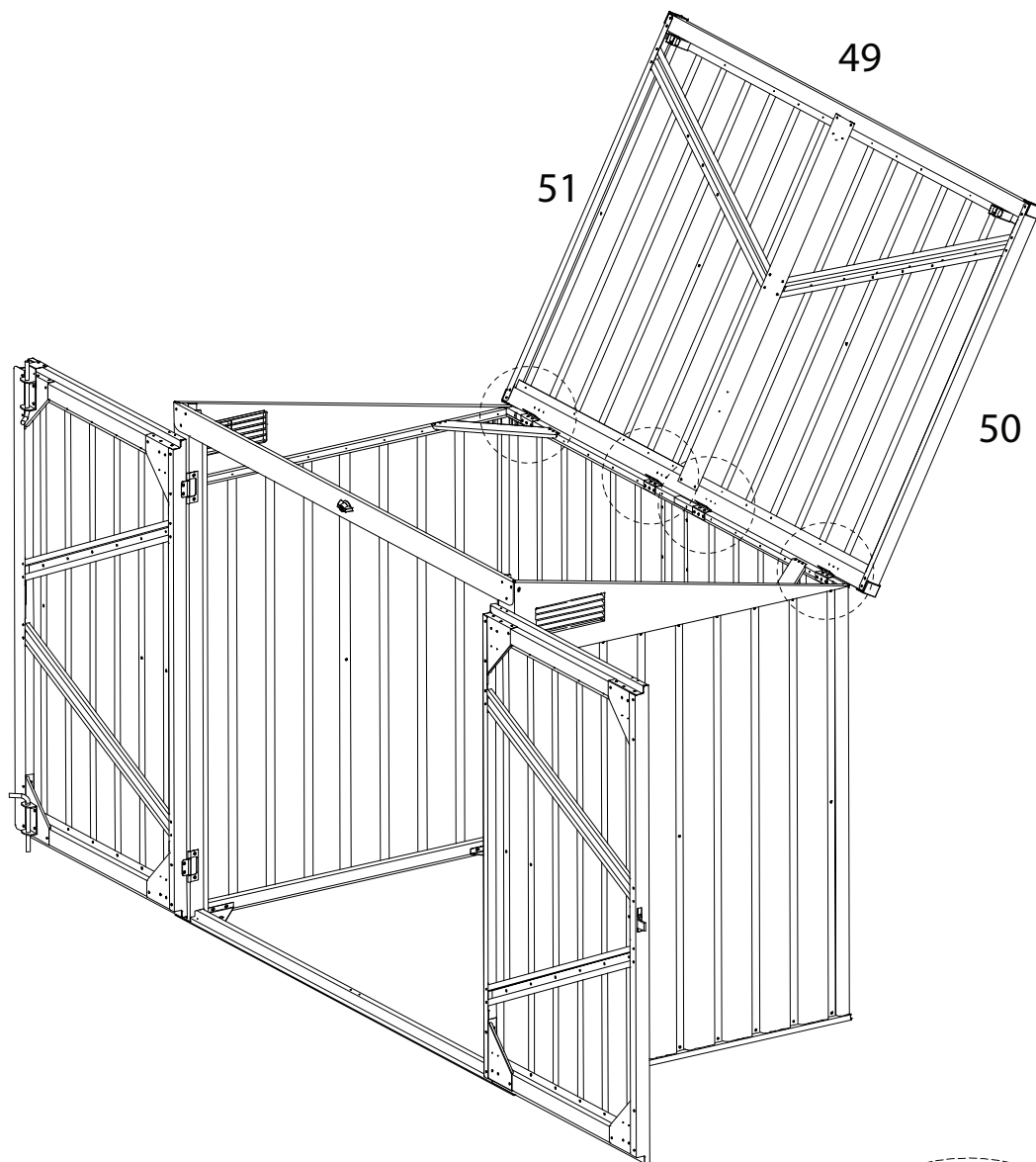
36

F1



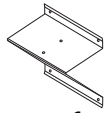
M4
x
10

x 12



37

32



x 1

F1

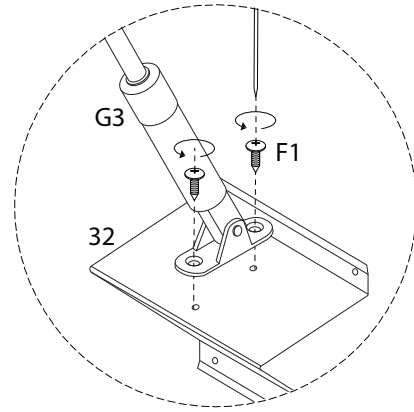
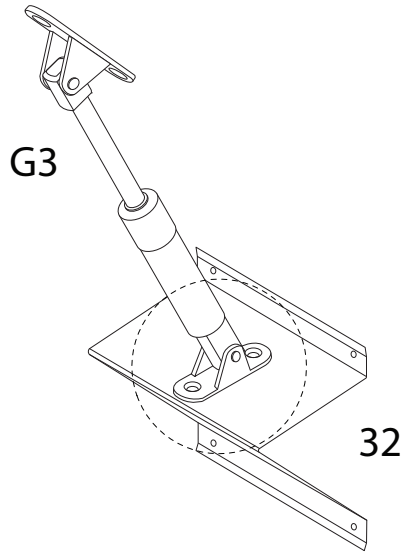


x 2

G3



x 1



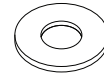
38

F1

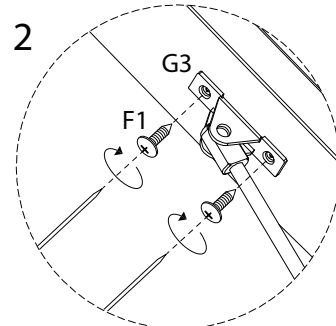
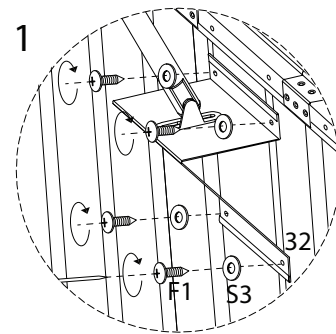
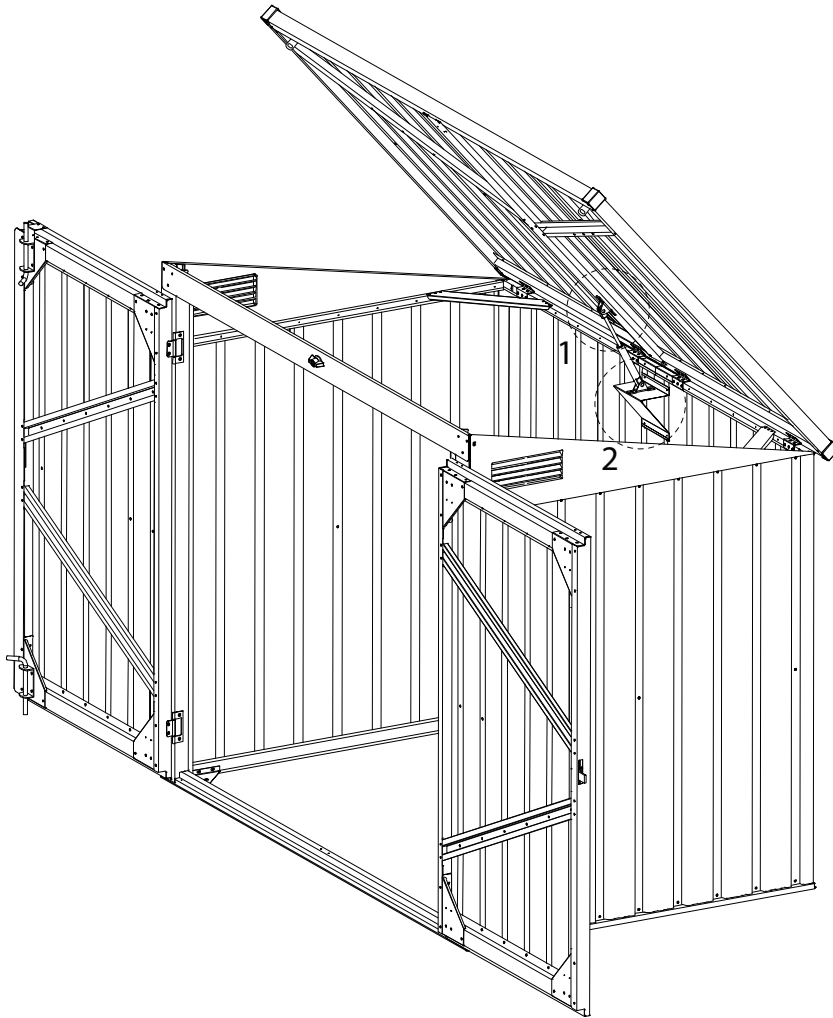


x 6

S3

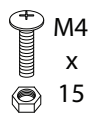


x 4



39

F2



x 2

K2

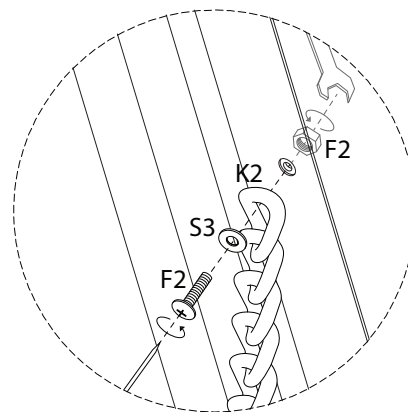
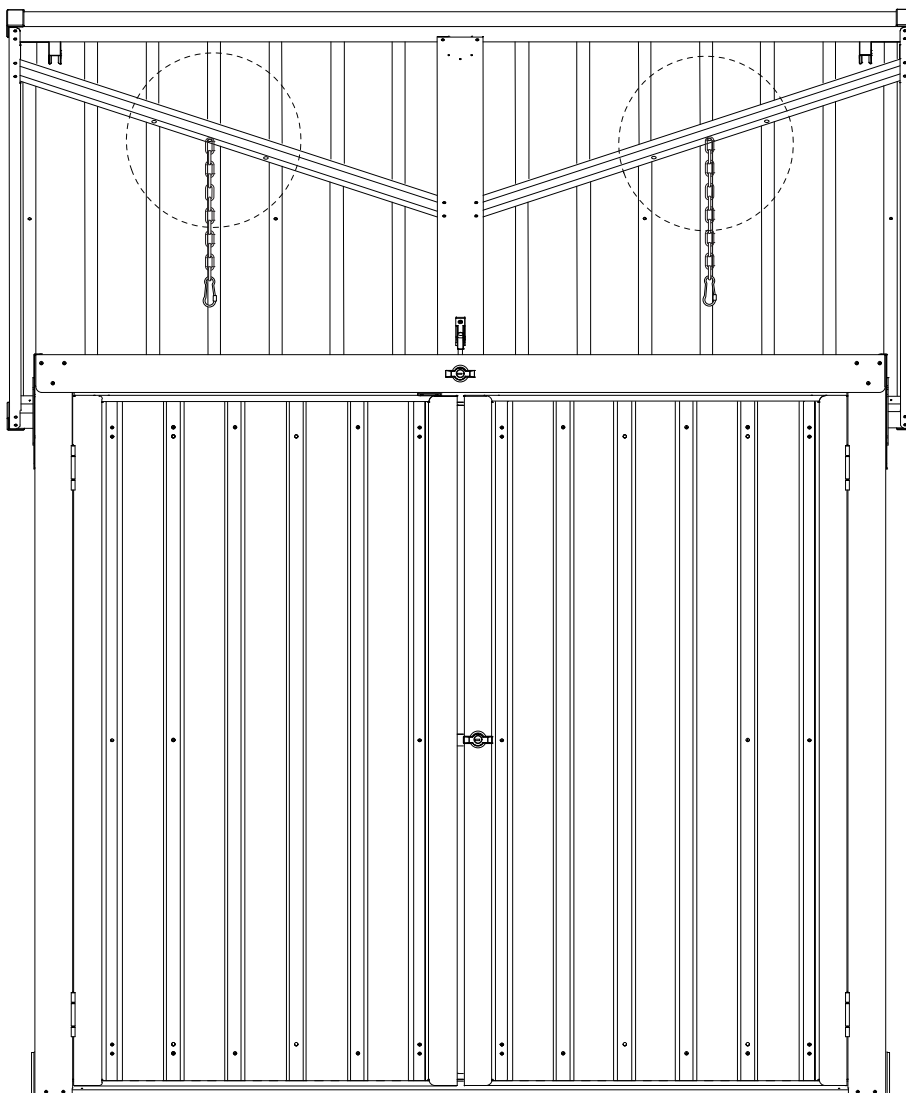


x 2

S3



x 2

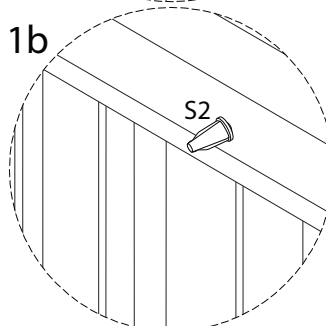
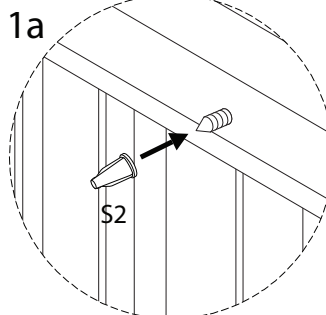
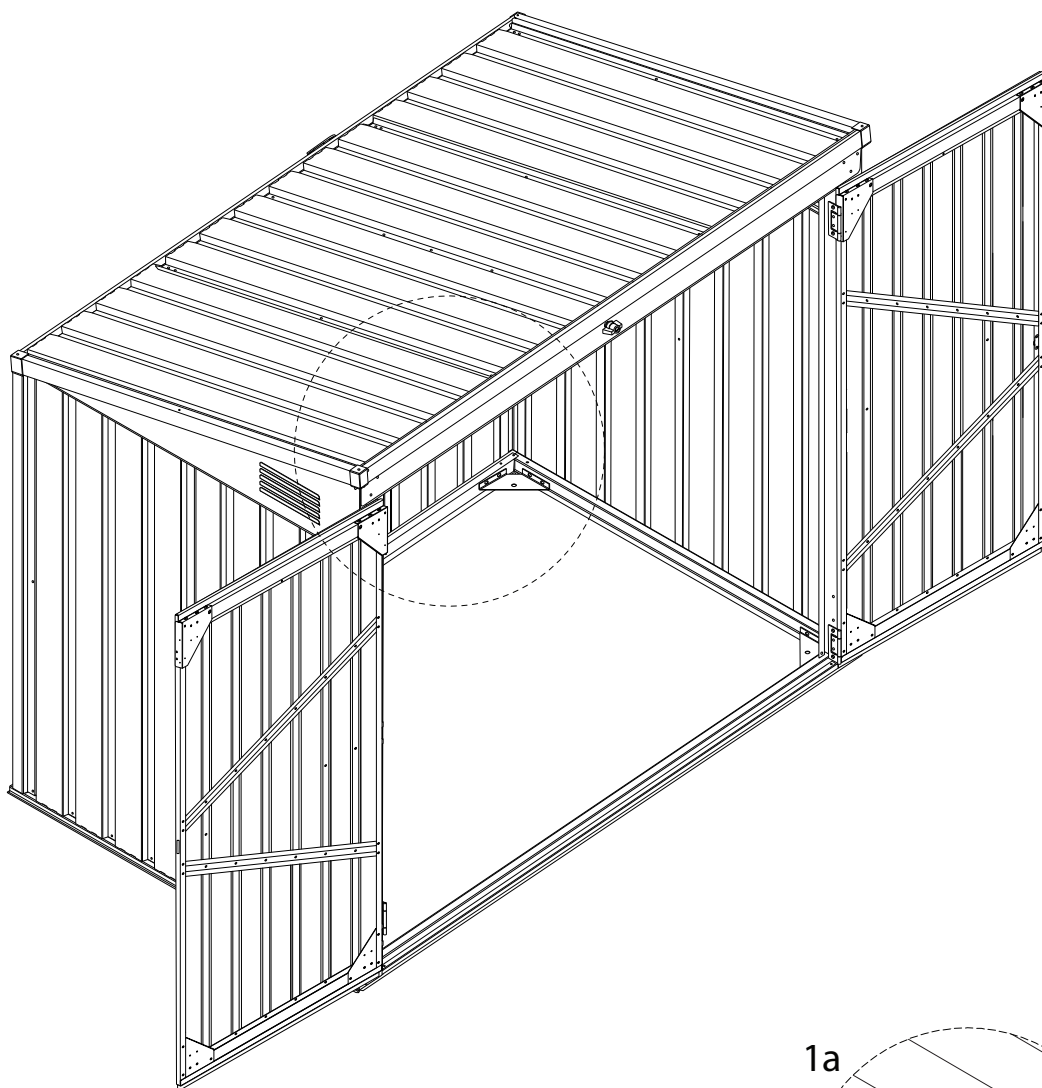


40

S2



x 100



!

