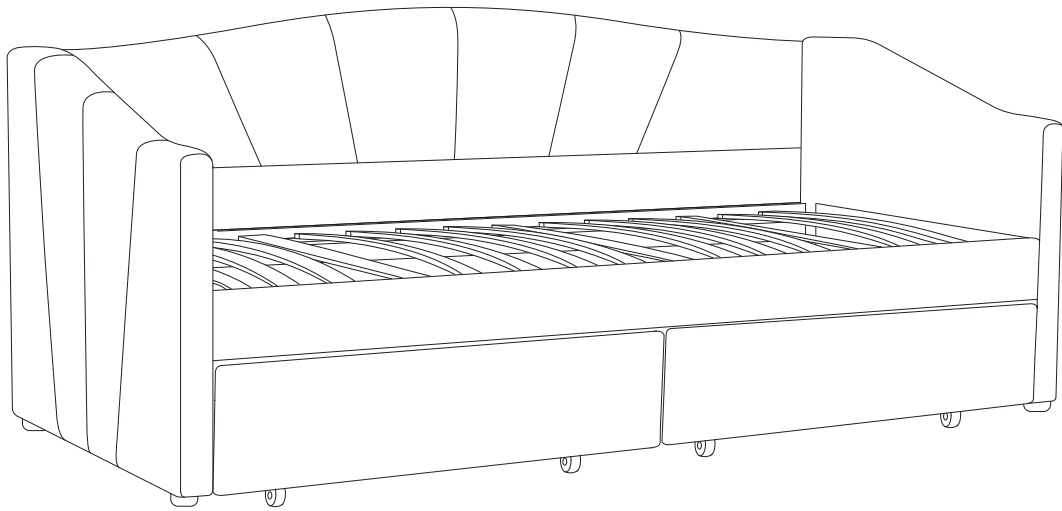
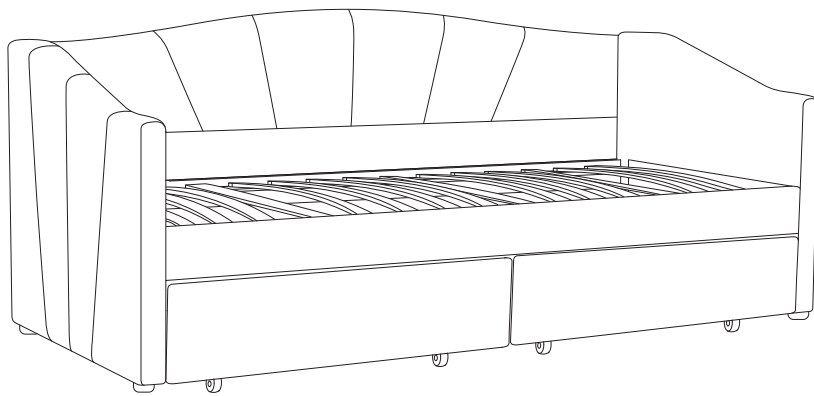
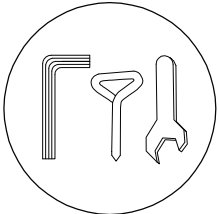
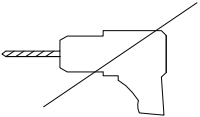

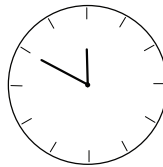
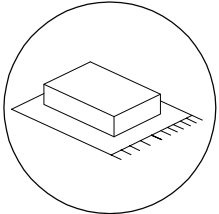
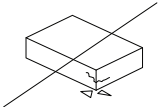




VITTEL



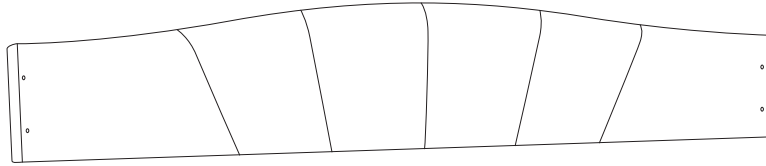


 		
		<p>50'</p>
 		
		<p>2</p>

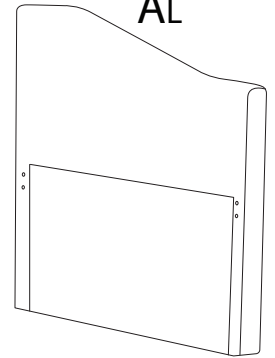
F x 12



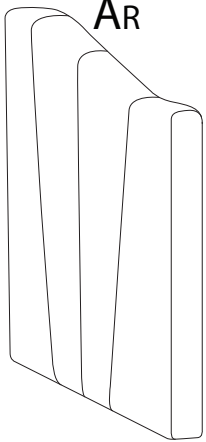
B



AL



AR



C



D



E x 3



H x 2



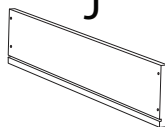
H x 2



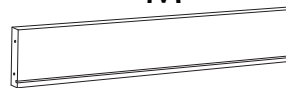
M



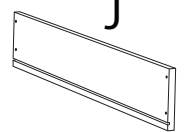
J



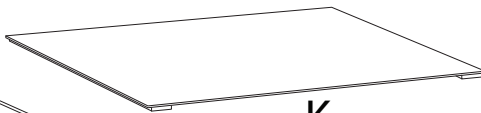
M



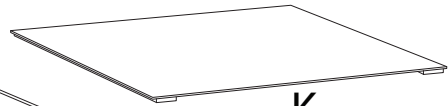
J



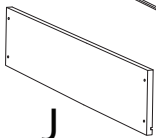
K



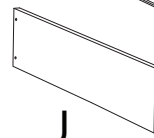
K



J



J



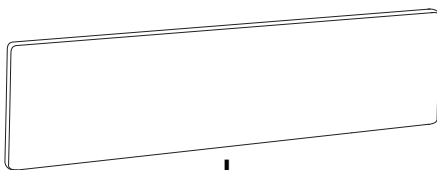
L



L



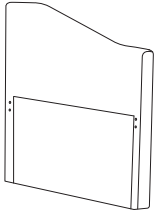
I



I

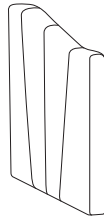


AL



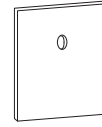
x 1

AR



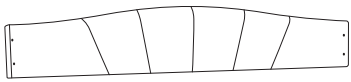
x 1

A1



x 3

B



x 1

C



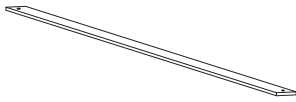
x 1

D



x 1

E



x 3

F



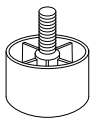
x 12

G



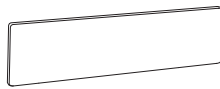
x 24

H



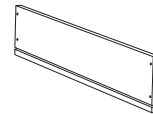
x 4

I



x 2

J



x 4

K



x 2

L



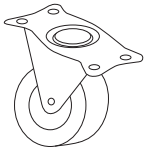
x 2

M



x 2

N



x 8

O



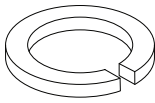
x 32

P



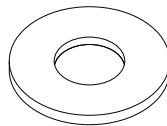
x 24

Q



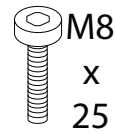
x 18

R



x 18

S



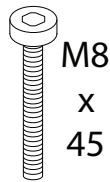
x 8

T



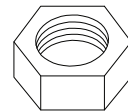
x 3

U



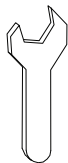
x 10

W



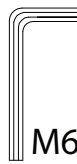
x 6

X



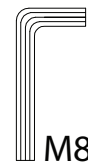
x 1

Y₁



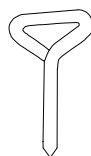
x 1

Y₂



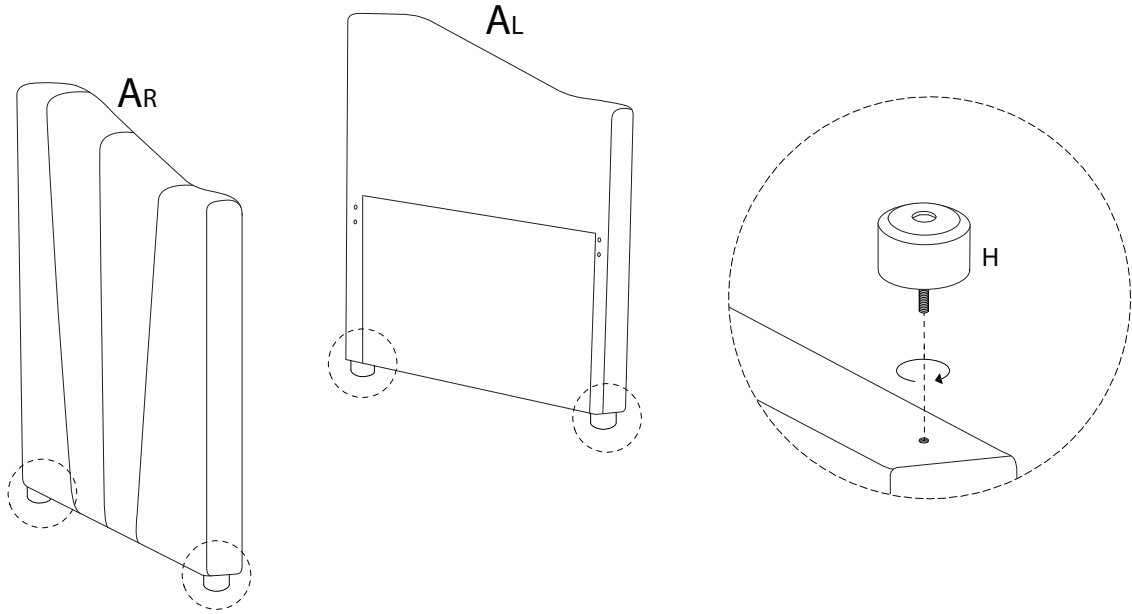
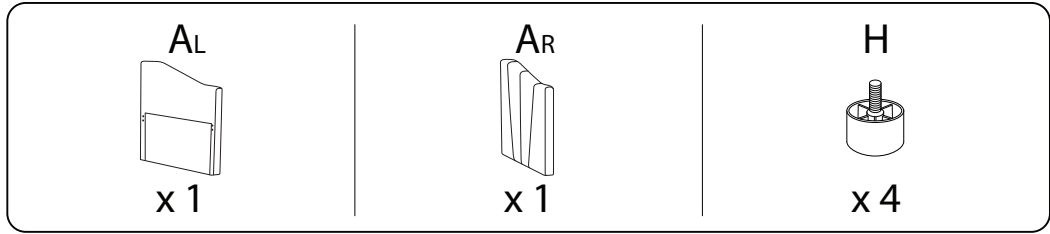
x 1

Z

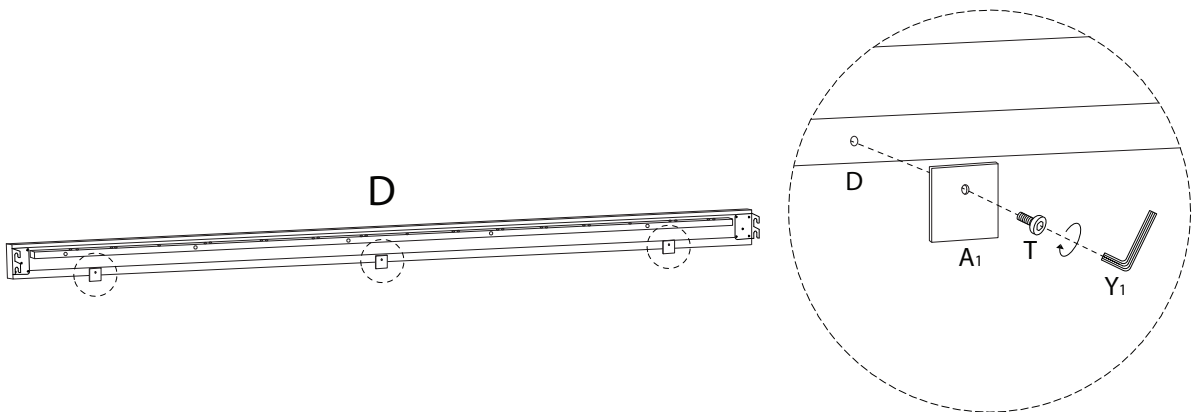
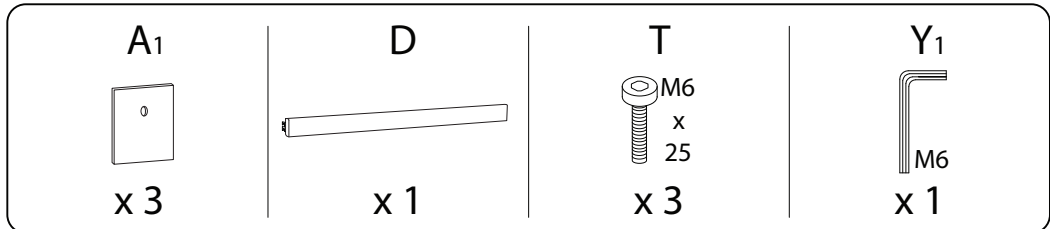


x 1


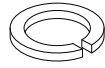
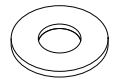


1

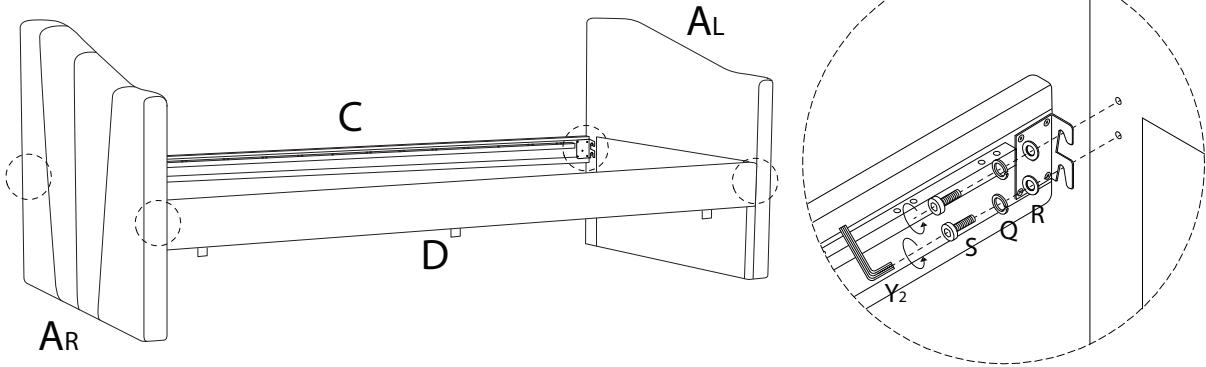


2


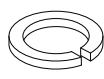
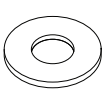

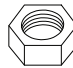

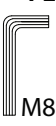


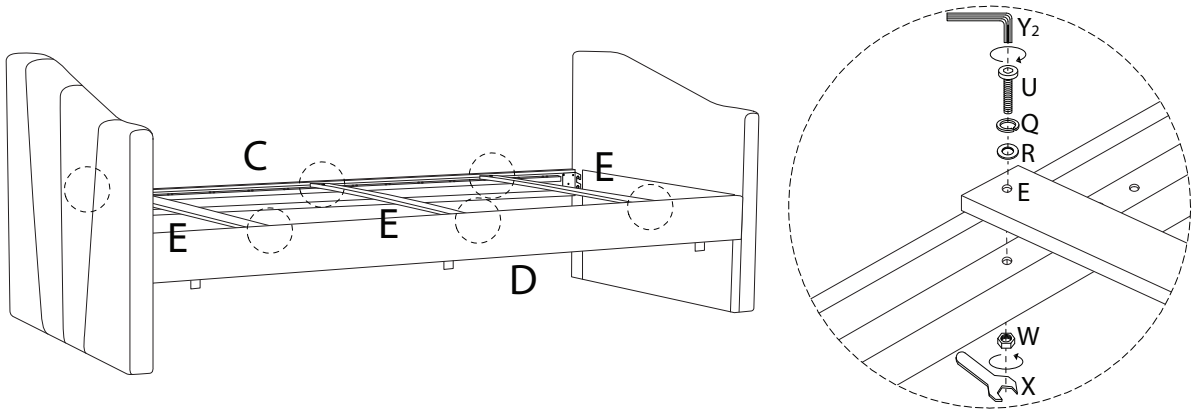
3

C	Q	R	S	Y ₂
			 M8 x 25	 M8
x 1	x 8	x 8	x 8	x 1



4

E	Q	R	U	W	X	Y ₂
			 M8 x 45			 M8
x 3	x 6	x 6	x 6	x 6	x 1	x 1



5 x 12

F

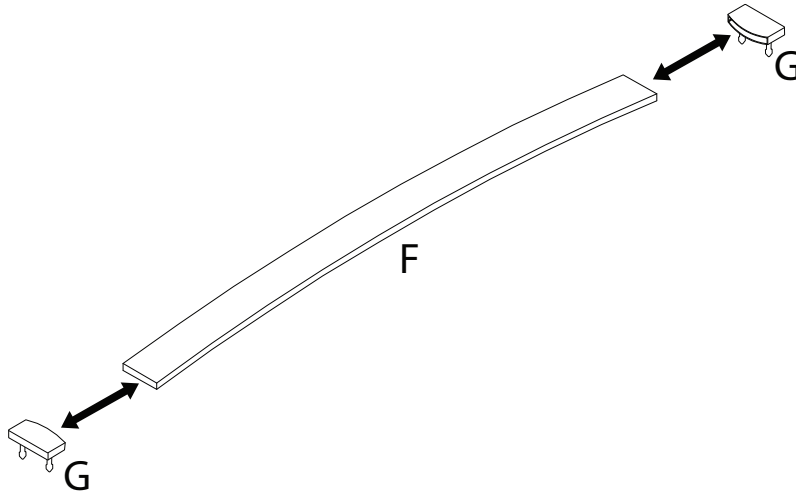


x 1

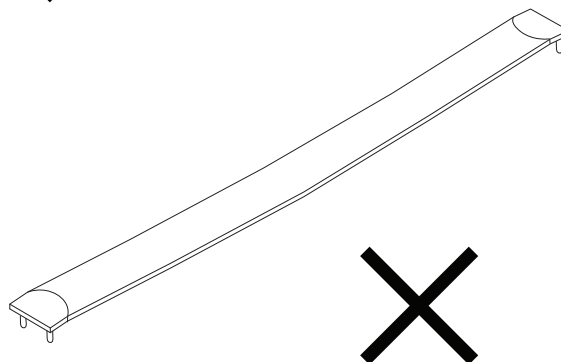
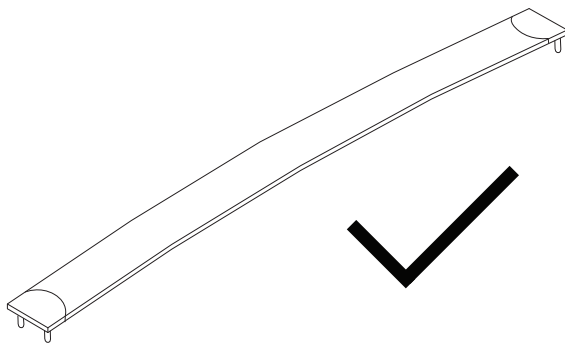
G



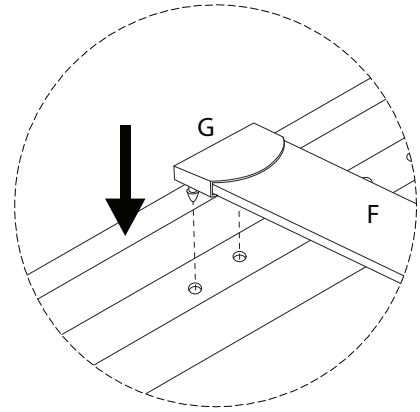
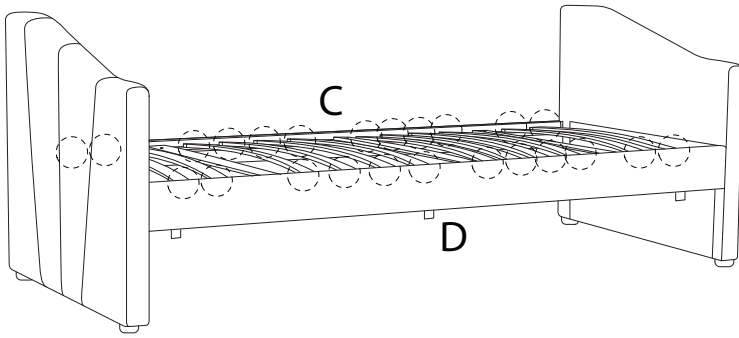
x 2



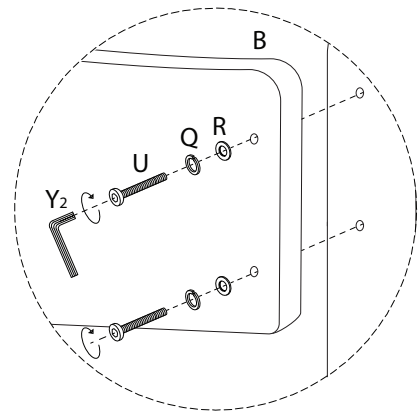
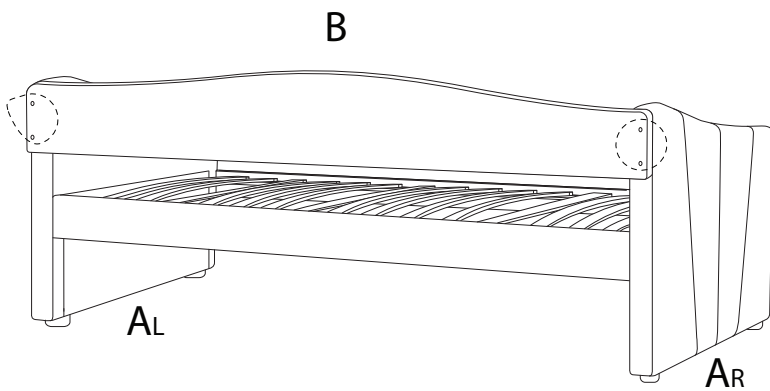
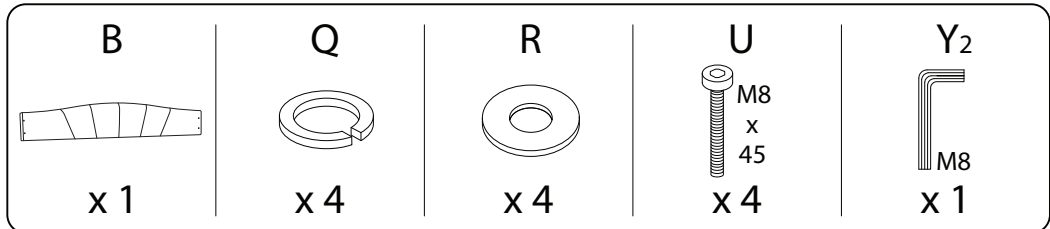
!



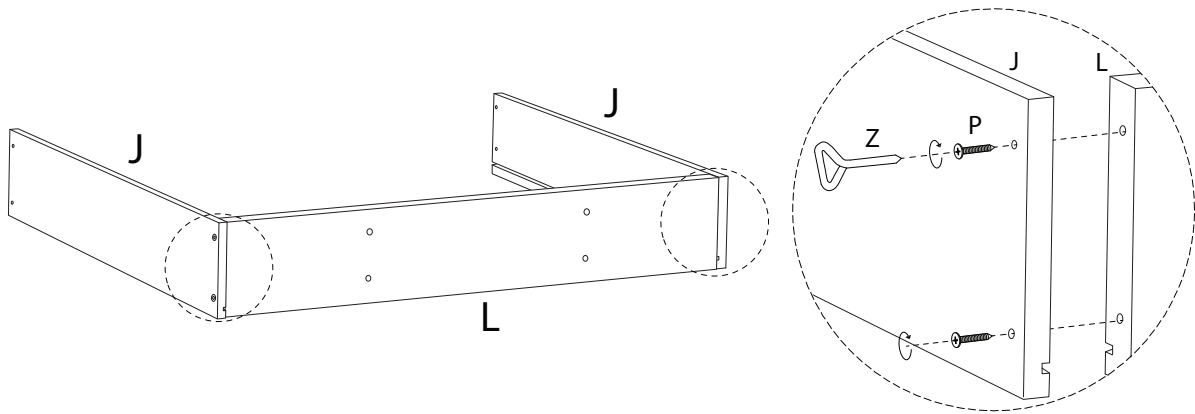
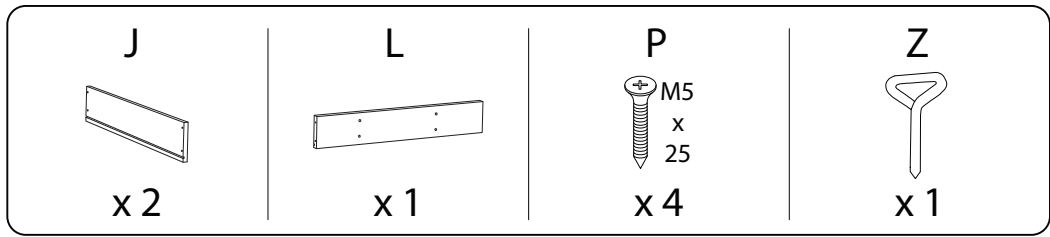
6



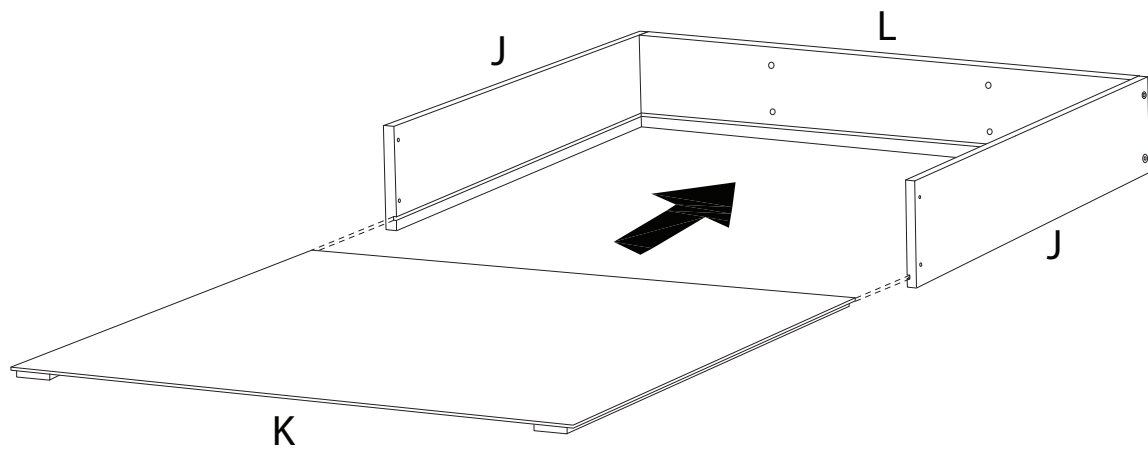
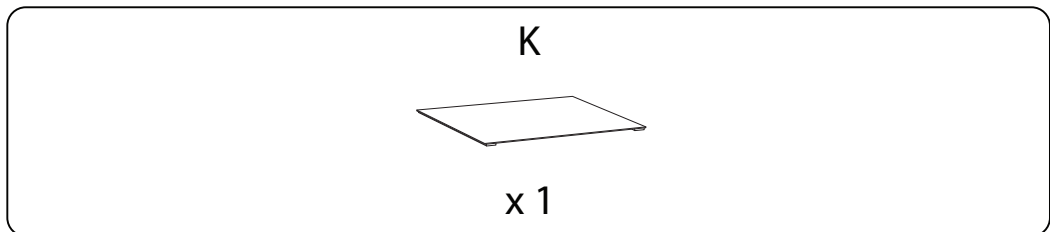
7



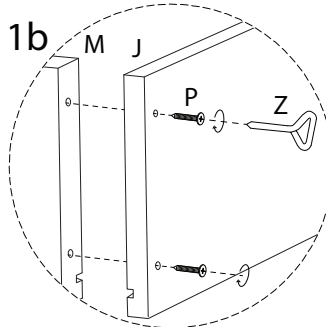
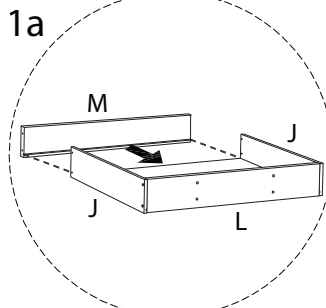
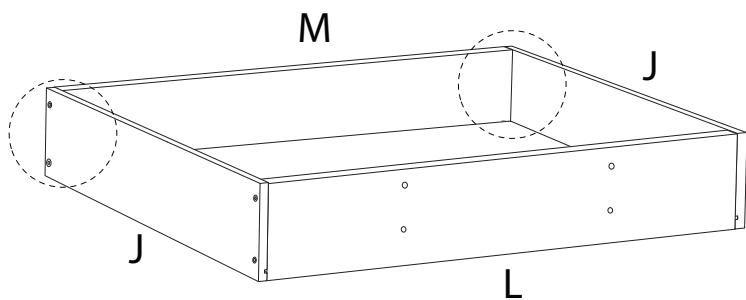
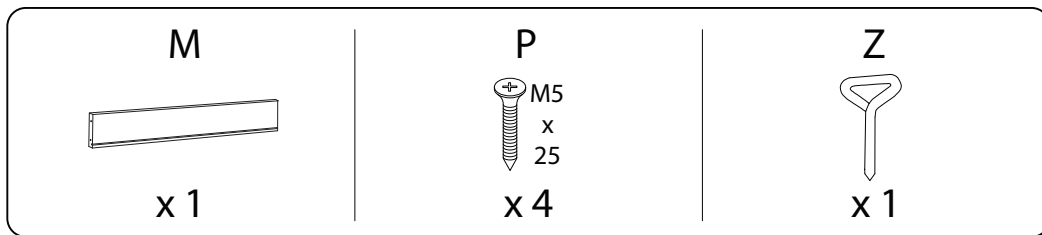
8 x 2



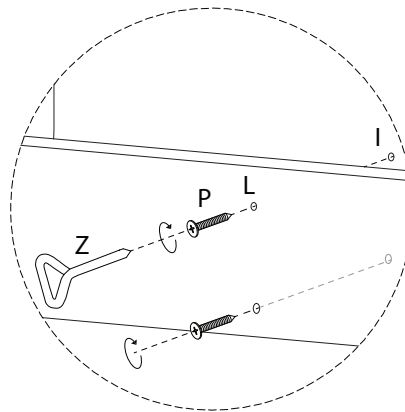
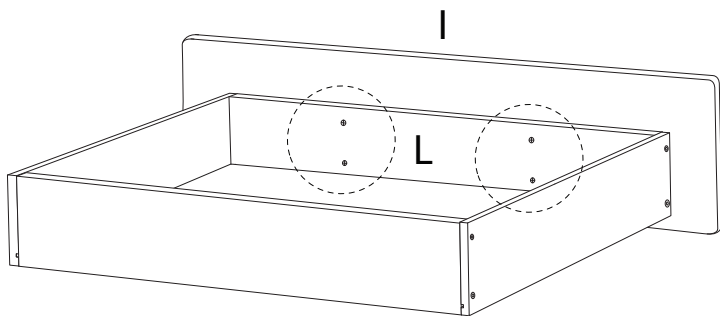
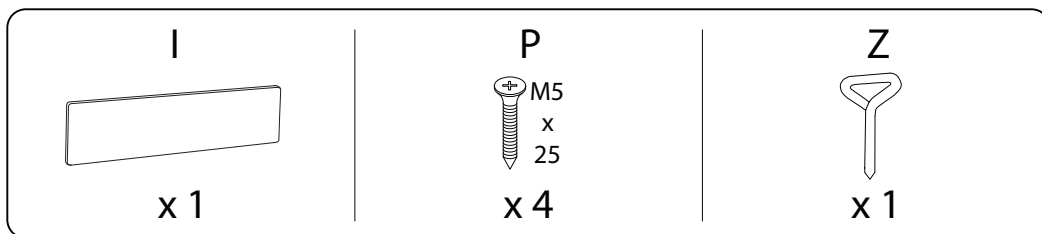
9 x 2



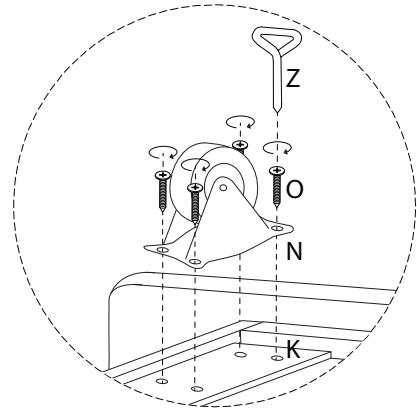
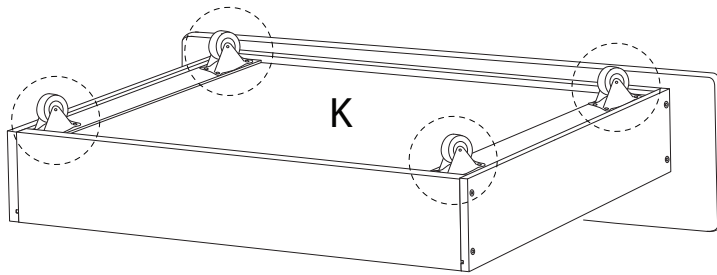
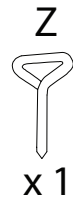
10 x 2



11 x 2



12 x 2



13

