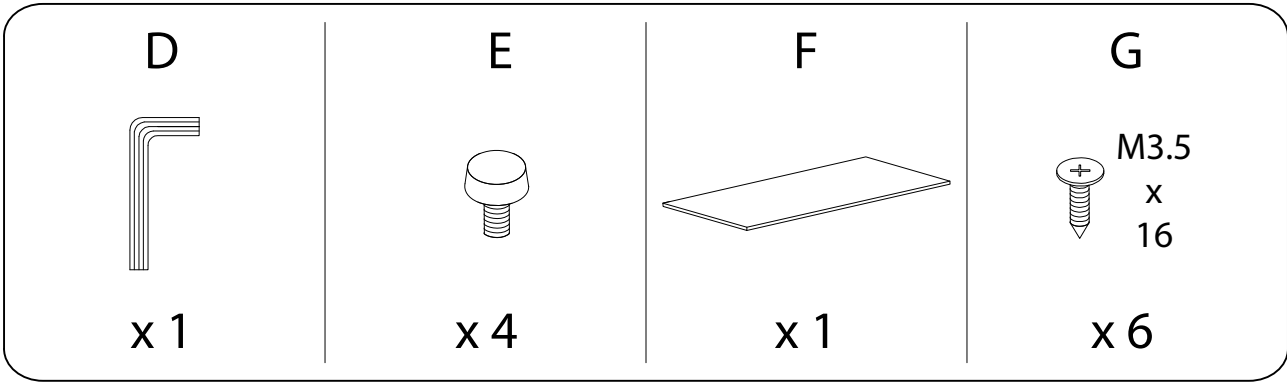
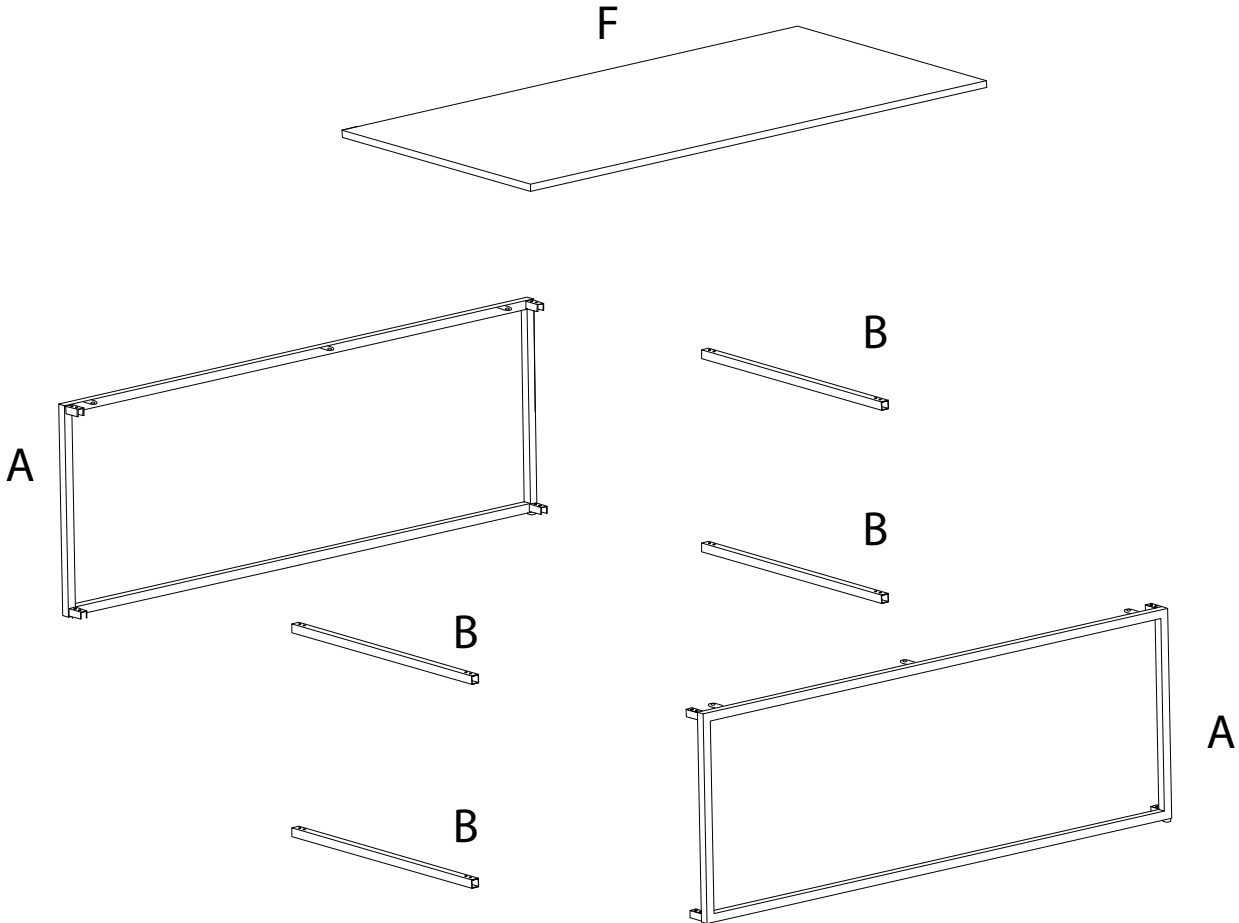
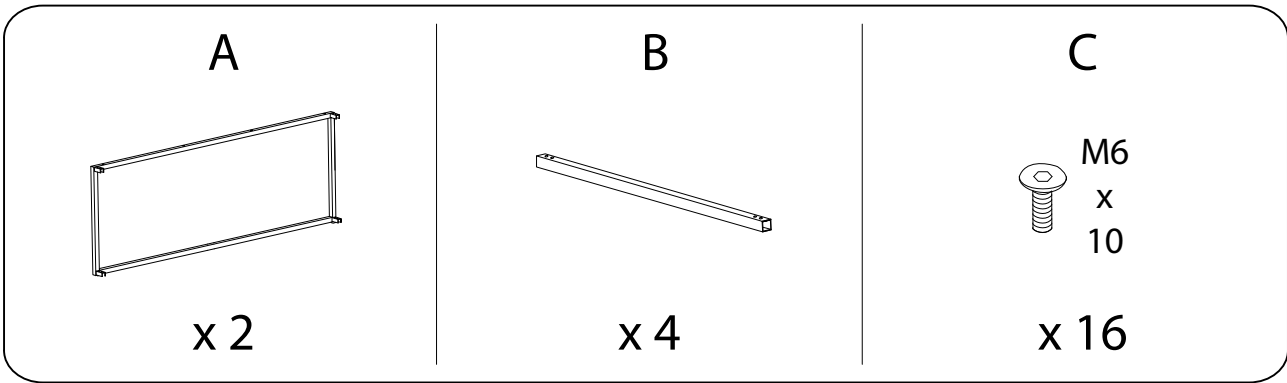


Diagram illustrating assembly steps and safety warnings:

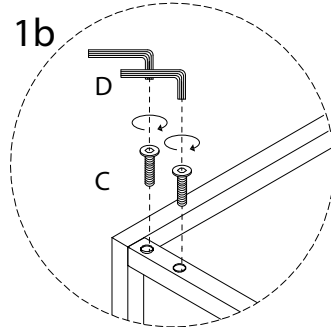
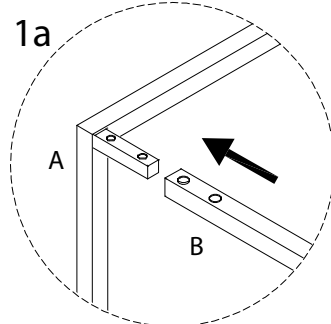
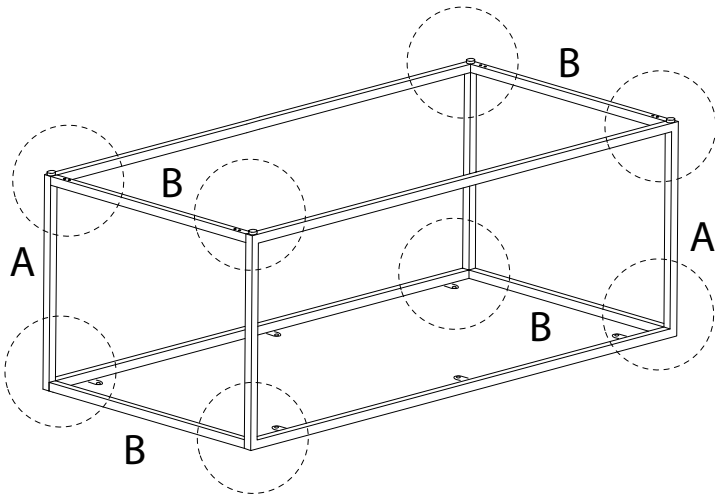
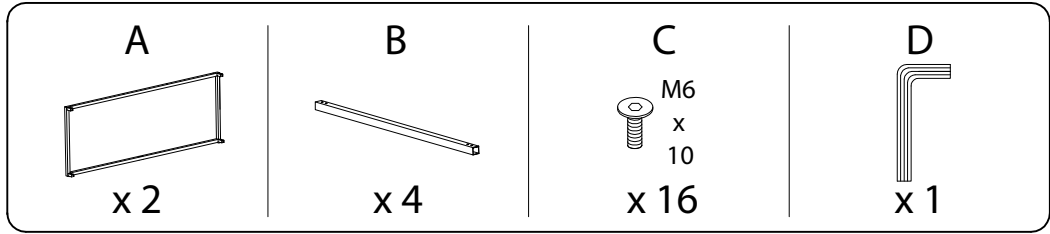
- Step 1:** Shows an L-shaped metal bracket being inserted into a hole in a panel, with a power drill icon indicating the use of a drill. A warning triangle with an exclamation mark is positioned above this step.
- Step 2:** Shows a rectangular panel being placed on a surface, with a warning triangle above it. A human figure icon is positioned below this step, indicating that one person is required for this step.

Estimated assembly time: 30'

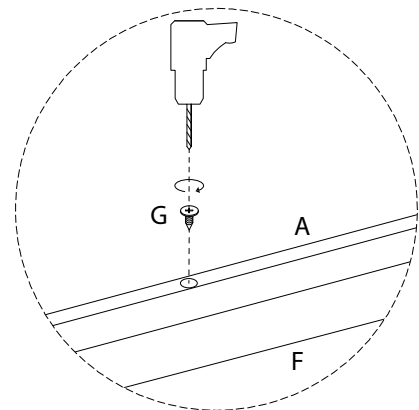
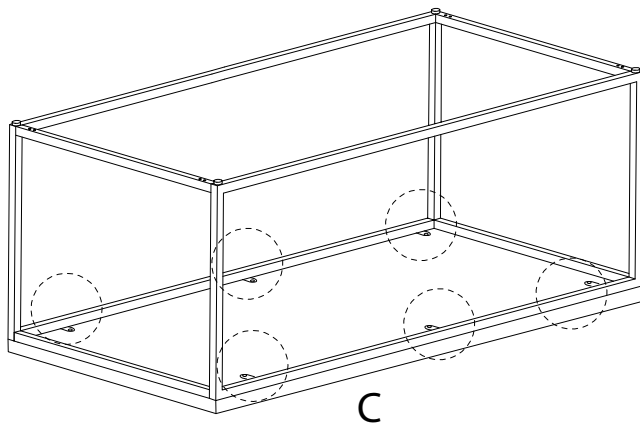
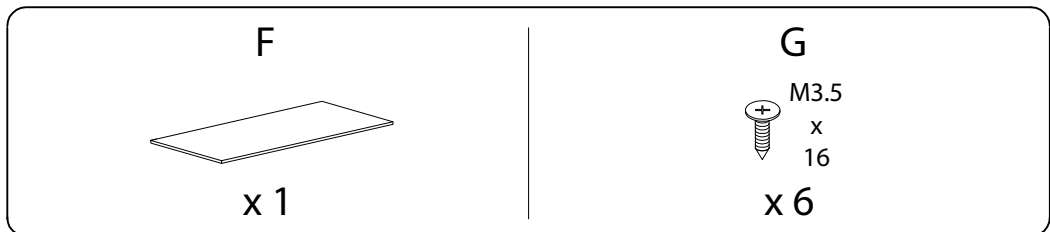
Number of people required: 1



1



2



3

E



x 4

