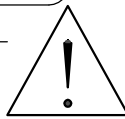
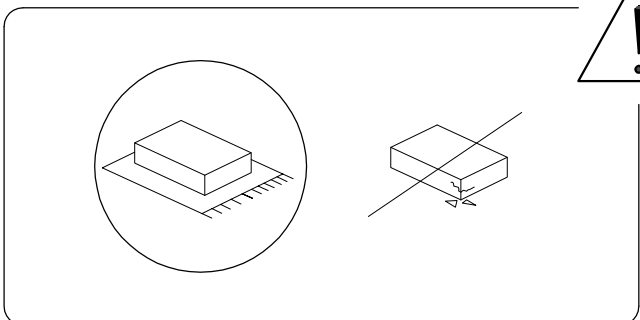
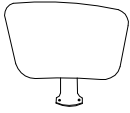
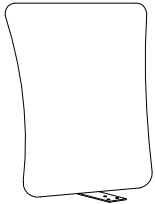
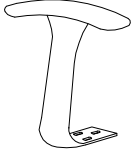


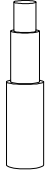


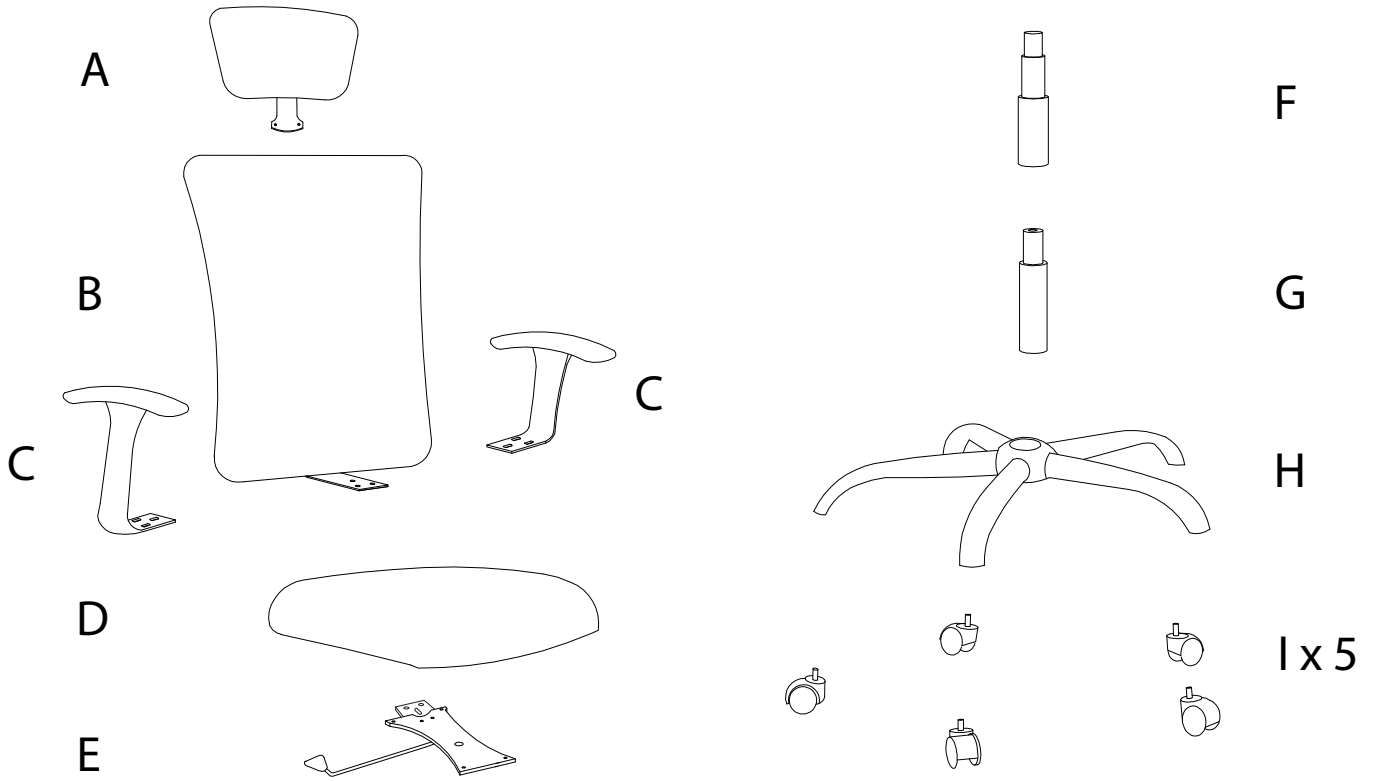
25'



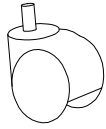
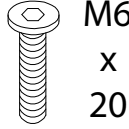
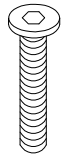
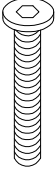
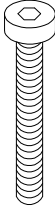
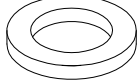

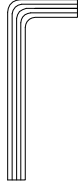


1

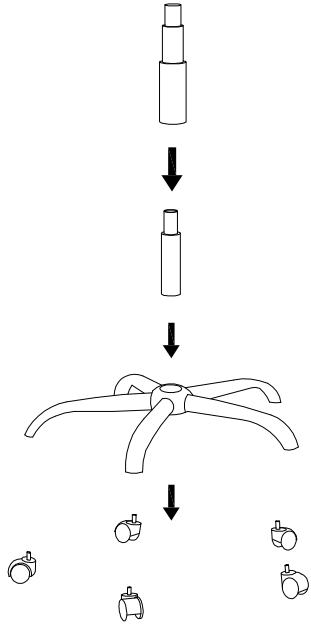
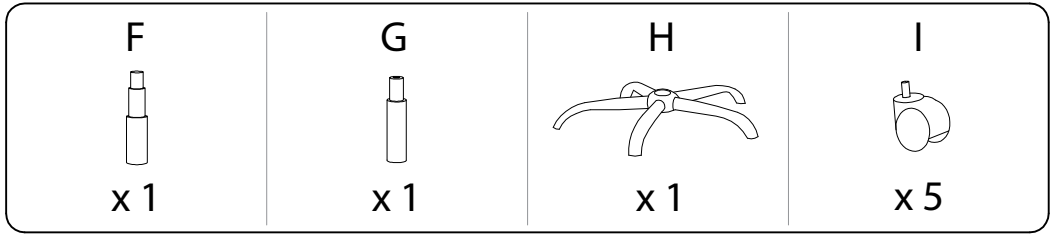
1/5

A	B	C	D	E	F
					
x 1	x 1	x 2	x 1	x 1	x 1

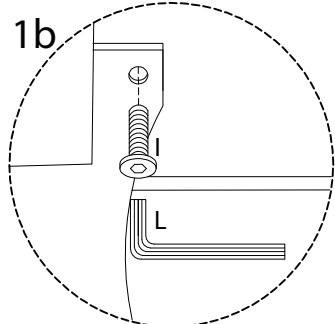
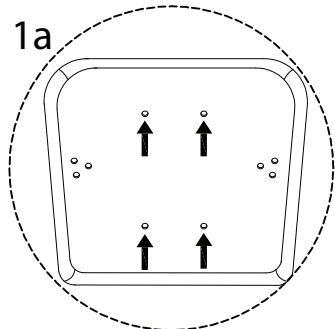
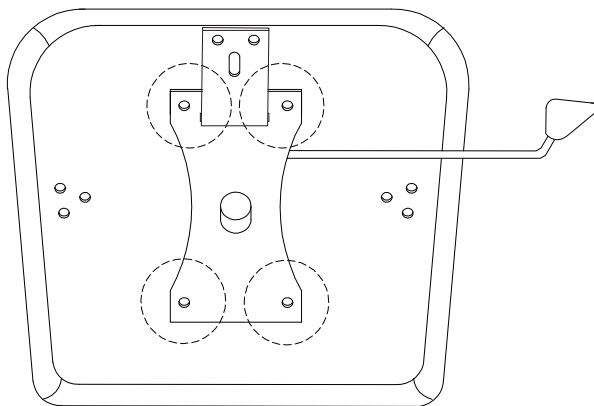
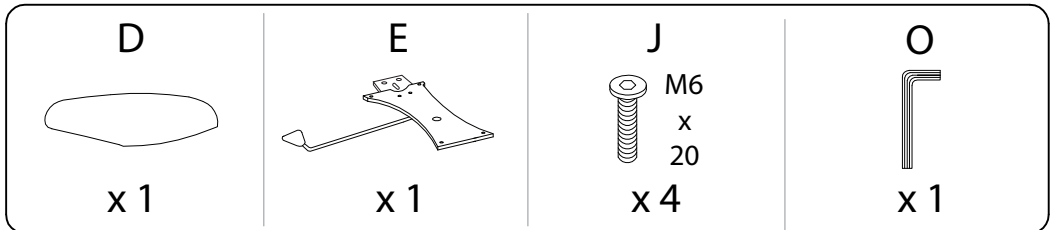


G	H	I	J	K
				
x 1	x 1	x 5	x 4	x 2
L	M	N	O	P
				
x 6	x 3	x 3	x 1	x 1

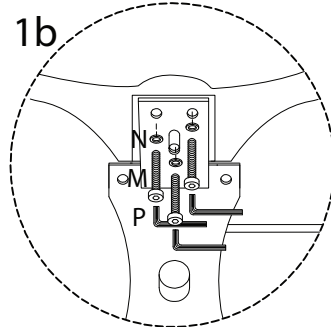
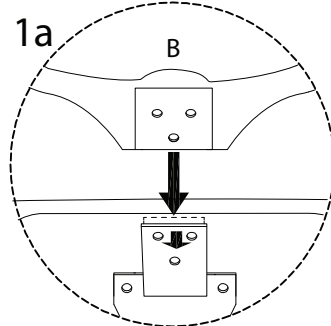
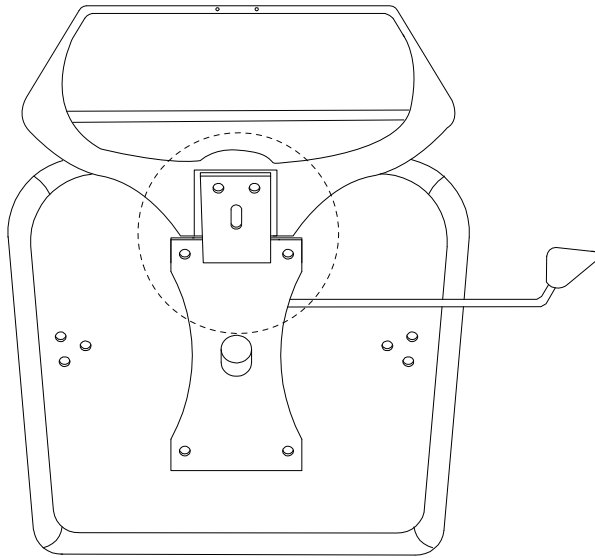
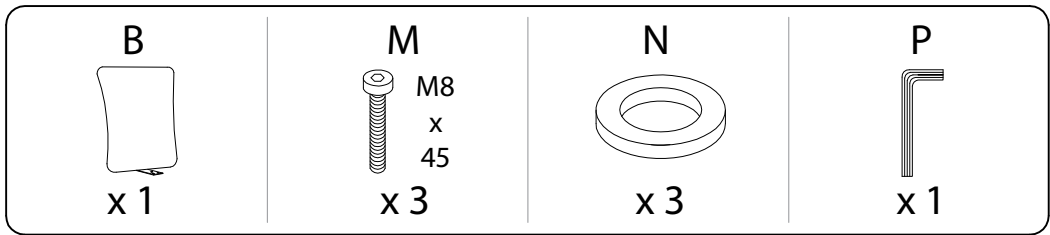
1



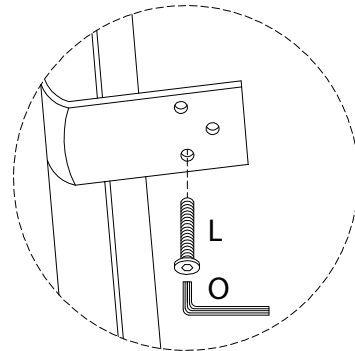
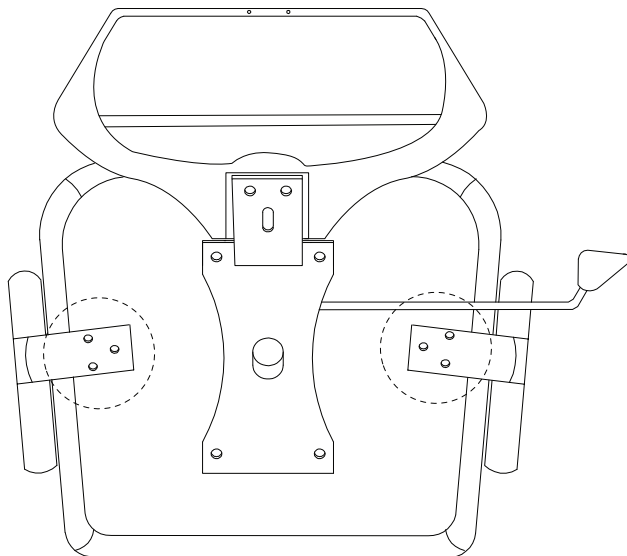
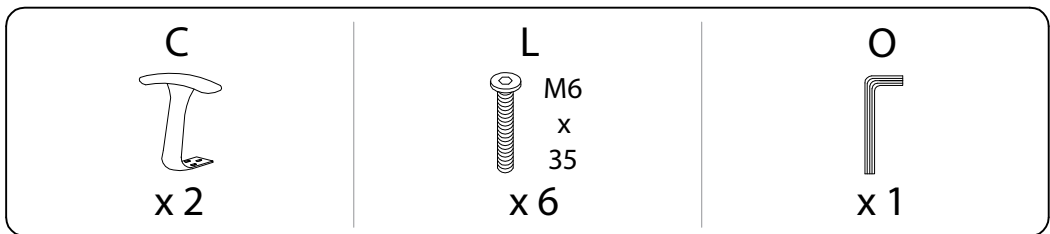
2



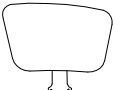


3

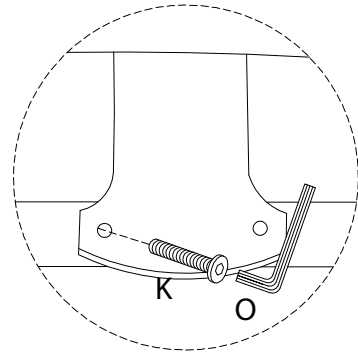
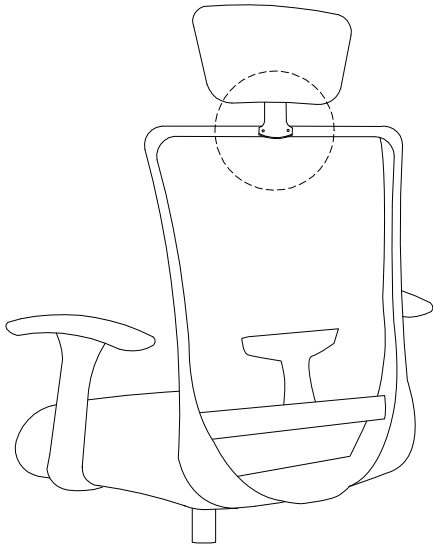


4



5

<p>A</p>  <p>x 1</p>	<p>K</p>  <p>M6 x 25</p> <p>x 2</p>	<p>O</p>  <p>x 1</p>
---	--	---



6

