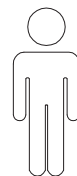
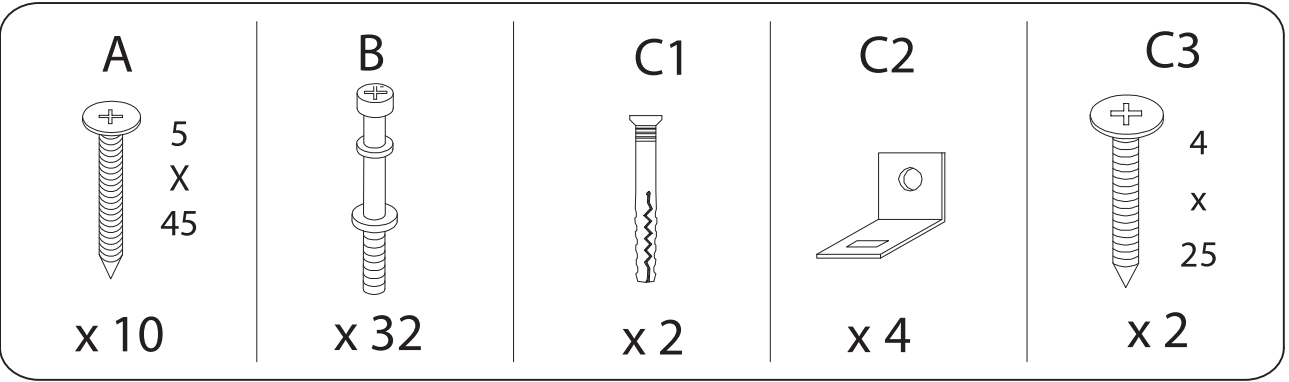
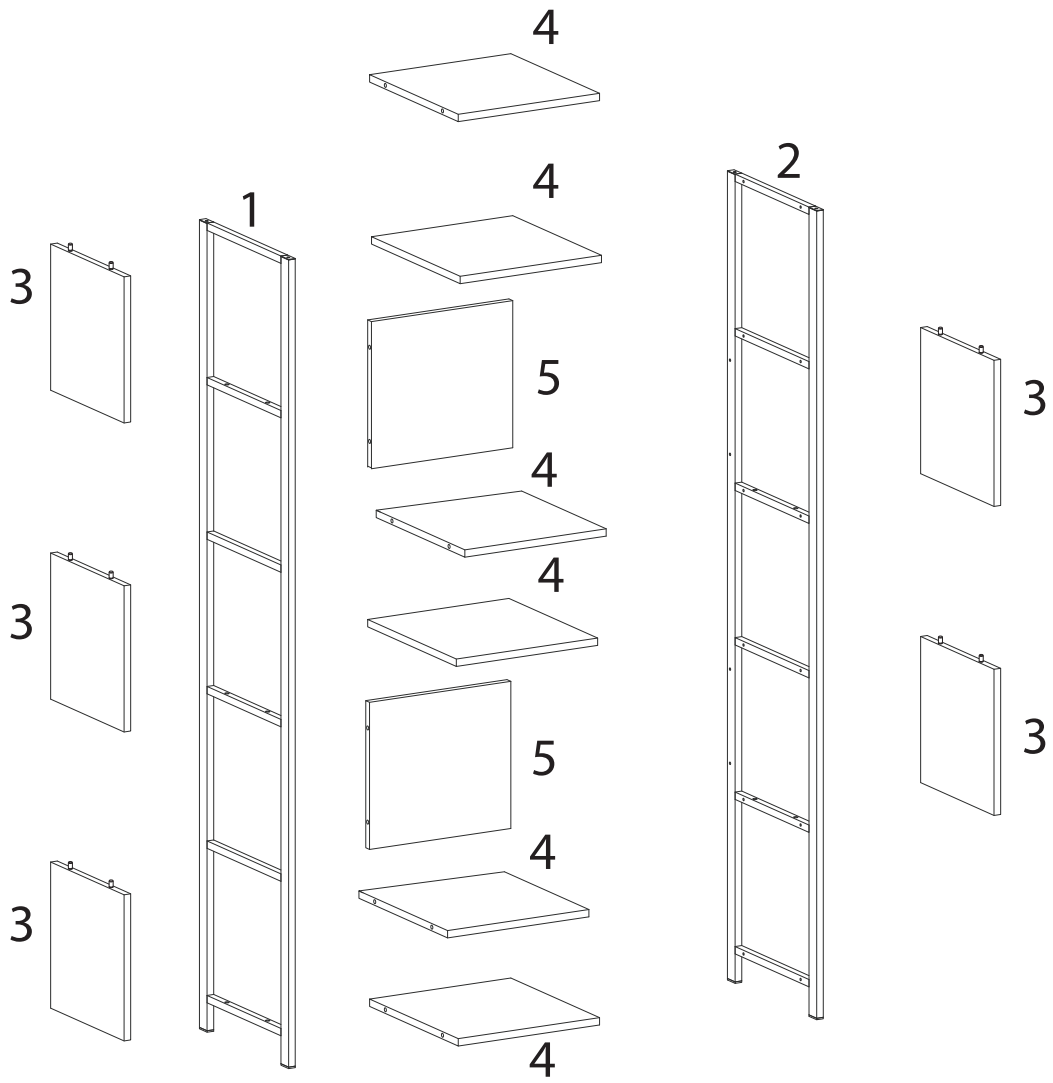
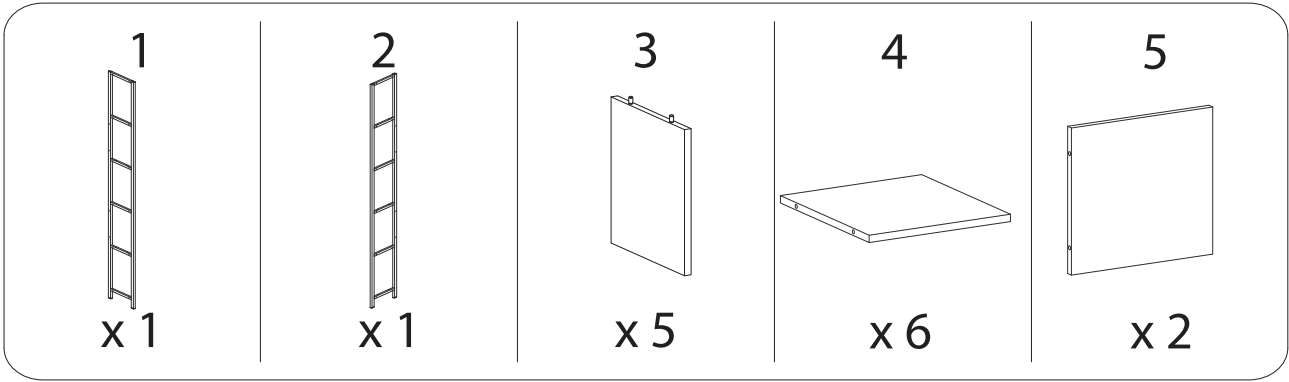


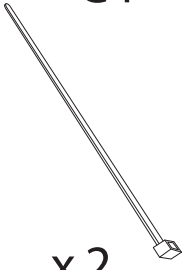
60'



1

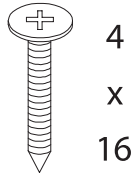


C4



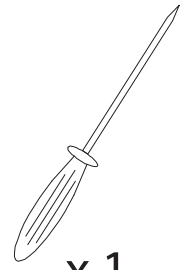
x 2

C5



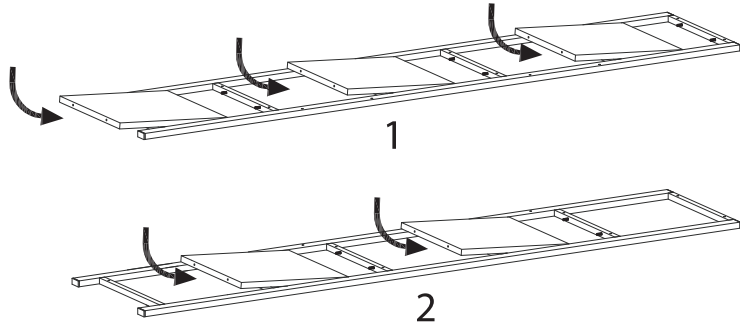
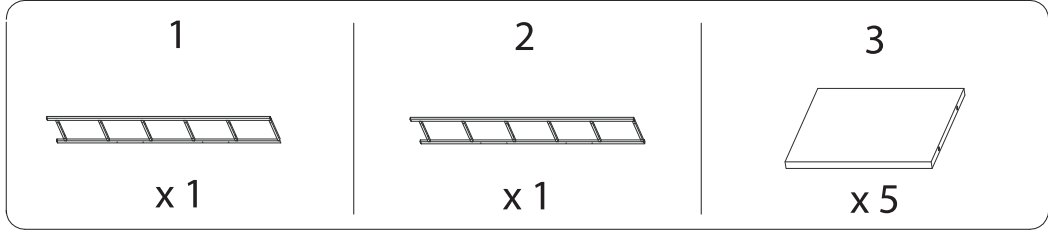
4  
x  
16

x 2

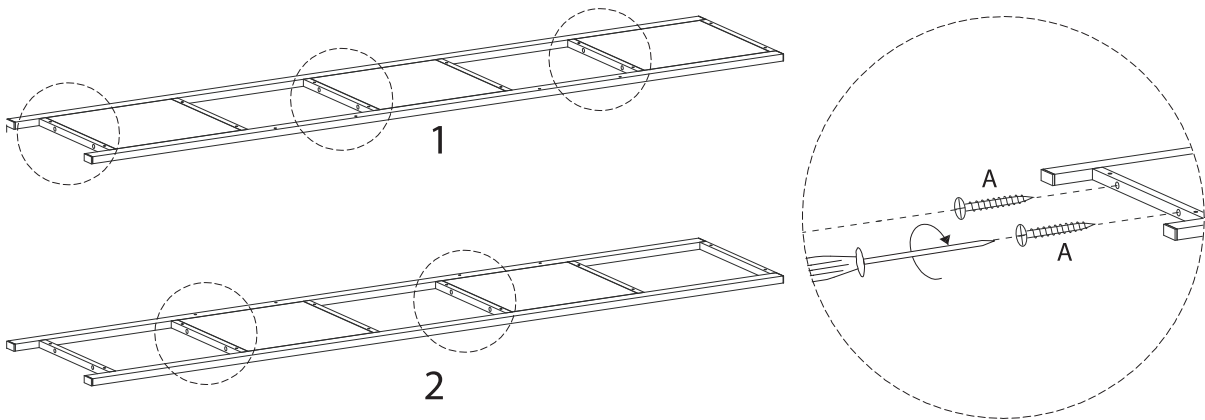
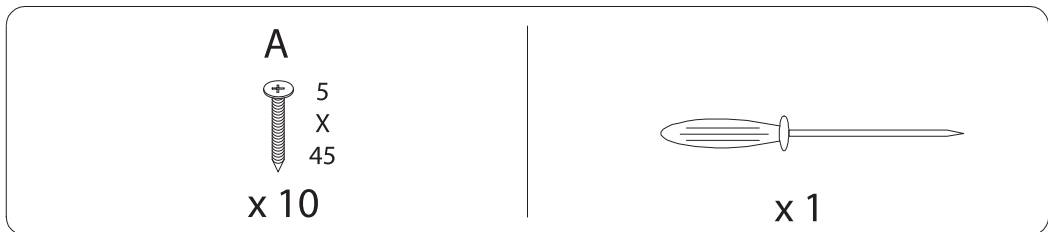


x 1

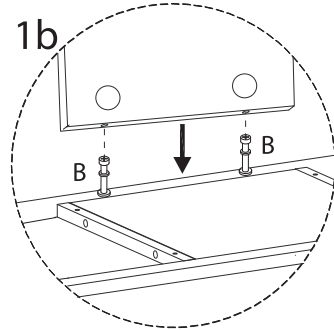
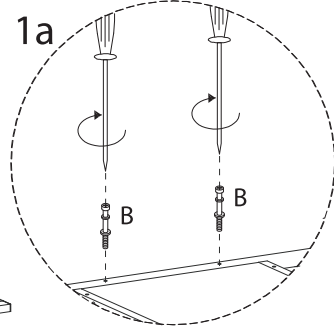
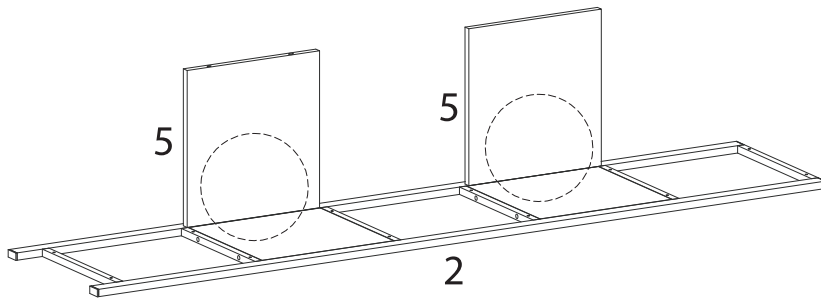
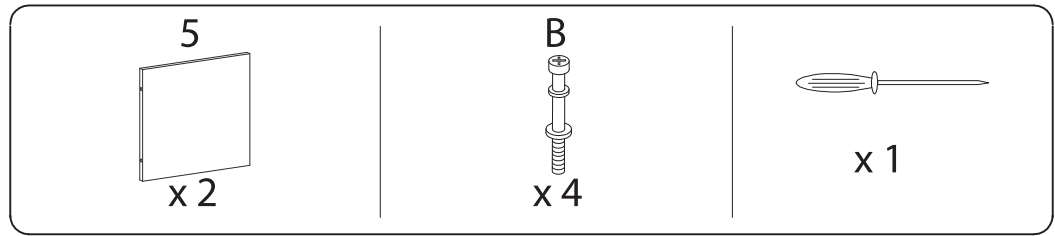
1



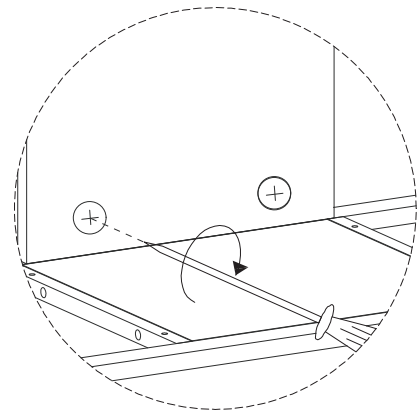
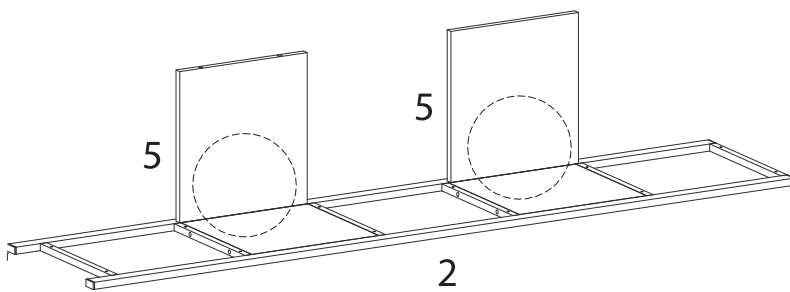
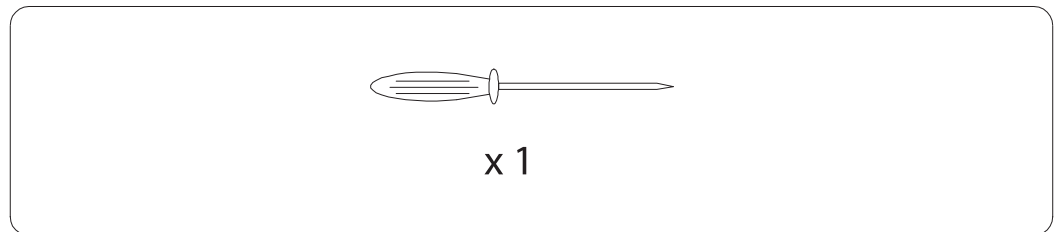
2



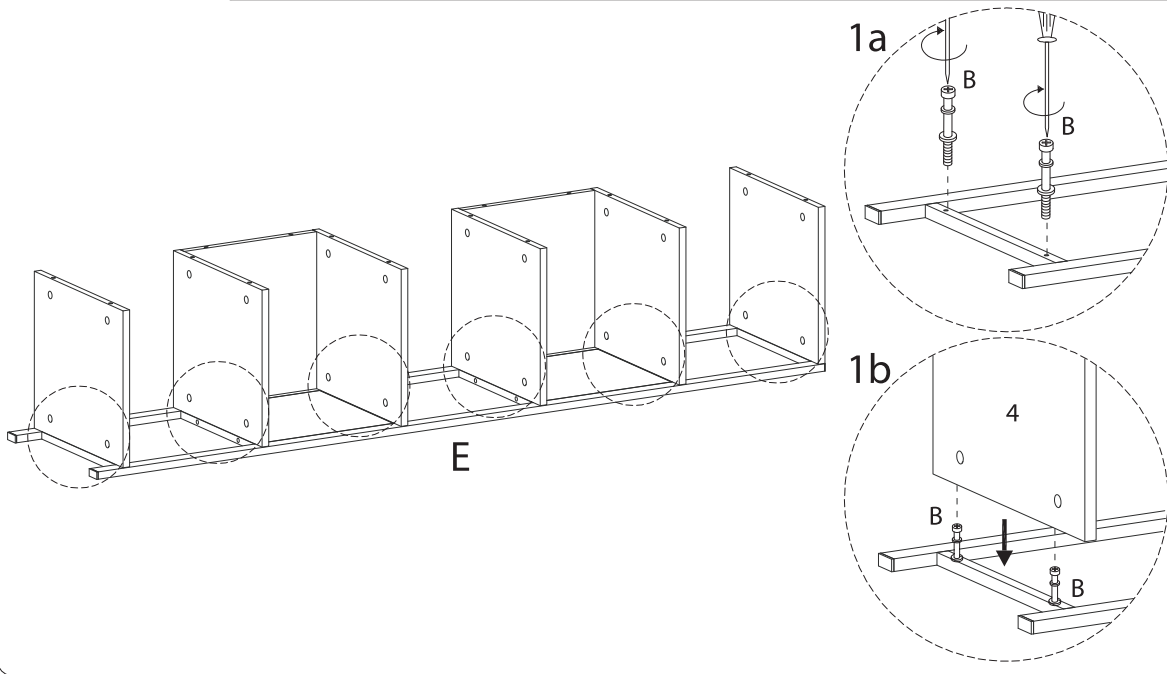
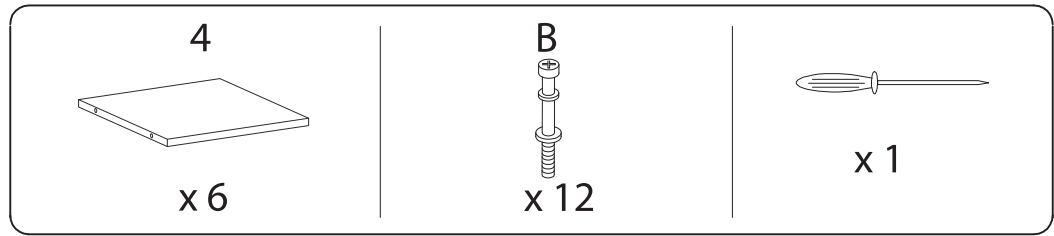
3



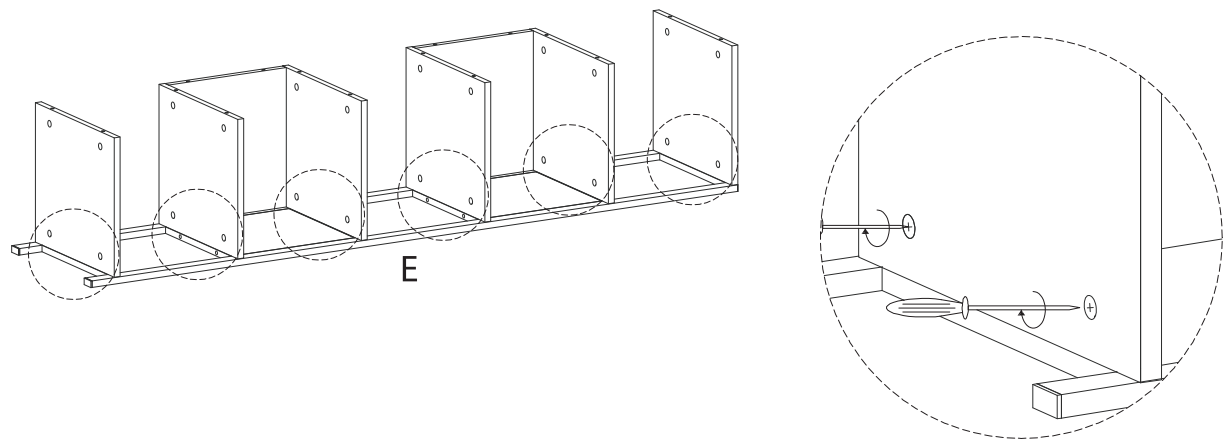
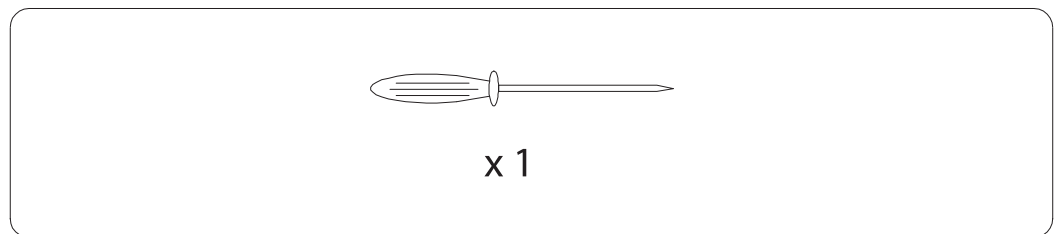
4



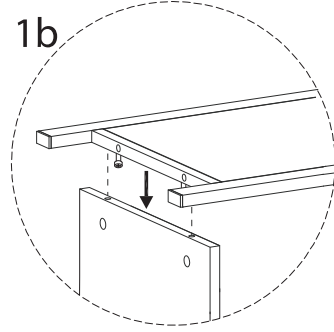
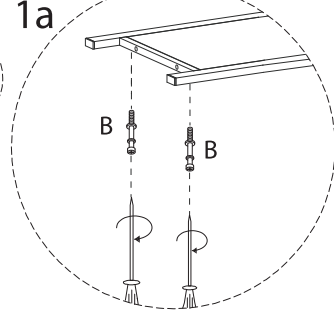
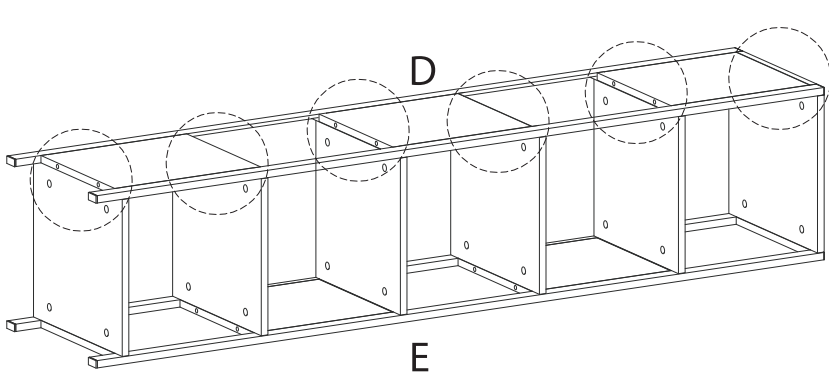
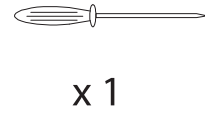
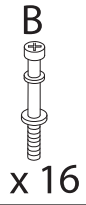
5



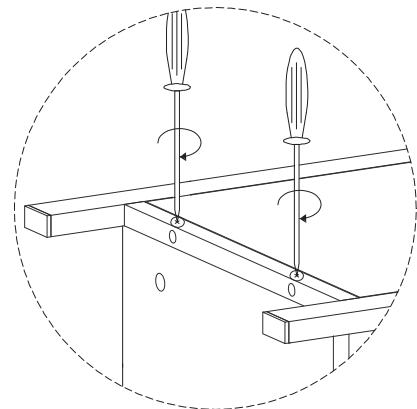
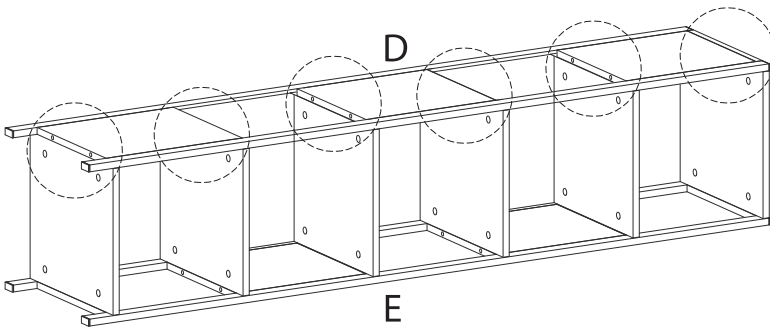
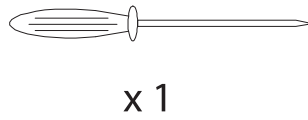
6



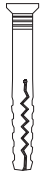
7



8

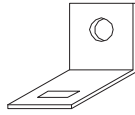


C1



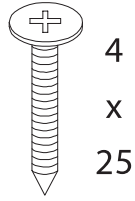
x 2

C2



x 4

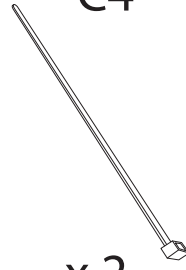
C3



4  
x  
25

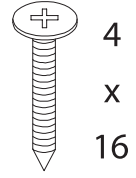
x 2

C4



x 2

C5



4  
x  
16

x 2

