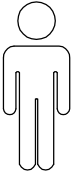
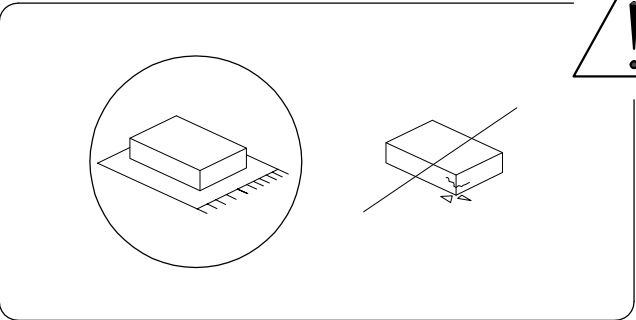
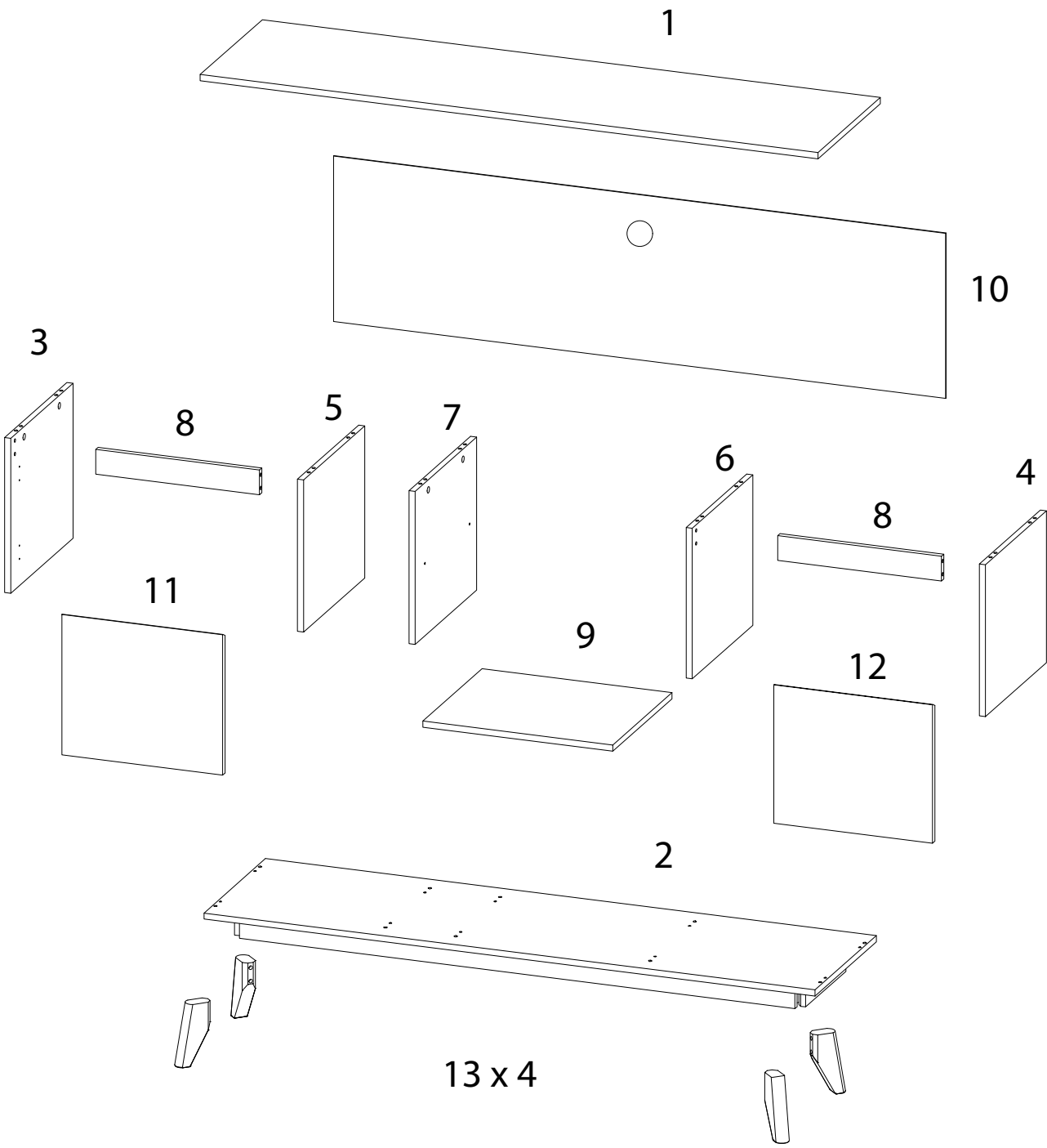
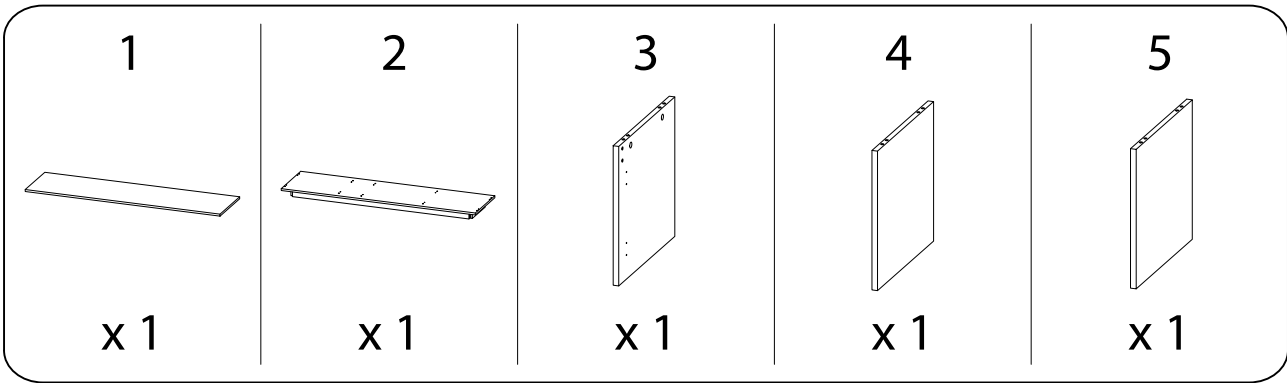


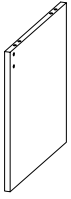
60'



2

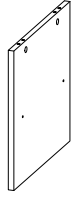


6



x 1

7



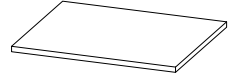
x 1

8



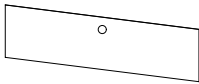
x 2

9



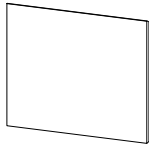
x 1

10



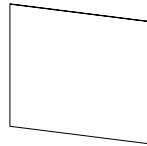
x 1

11



x 1

12



x 1

13



x 4

A1



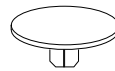
x 10

A2



x 10

A3



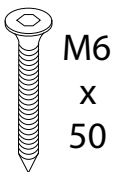
x 10

B



x 28

C



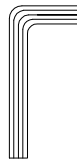
x 10

D



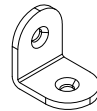
x 31

E



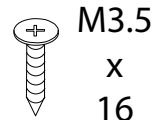
x 1

F



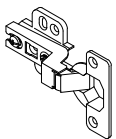
x 4

G



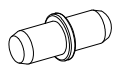
x 32

H



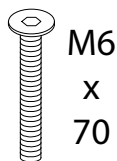
x 4

I



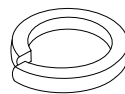
x 4

J



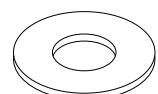
x 8

K



x 8

L



x 8

1

1

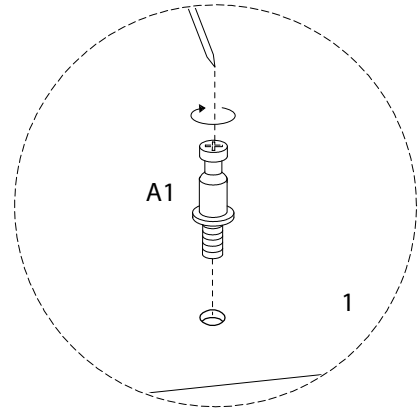
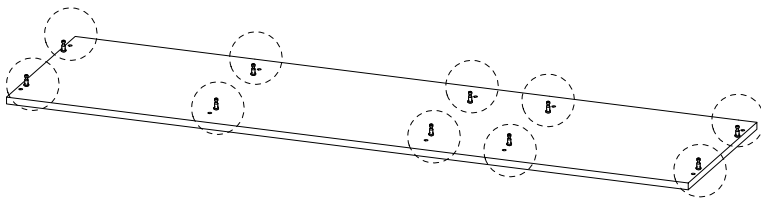


x 1

A2



x 10



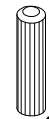
2

3

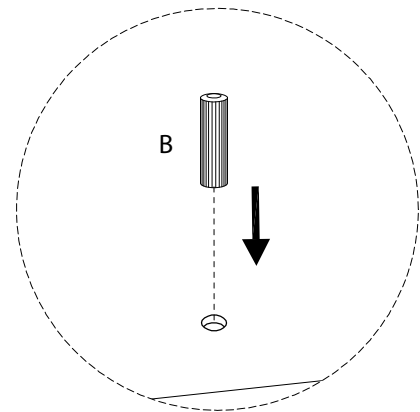
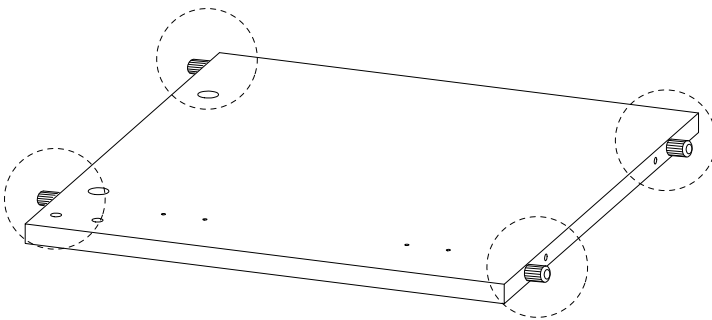


x 1

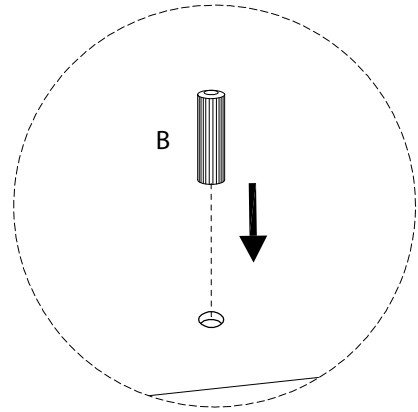
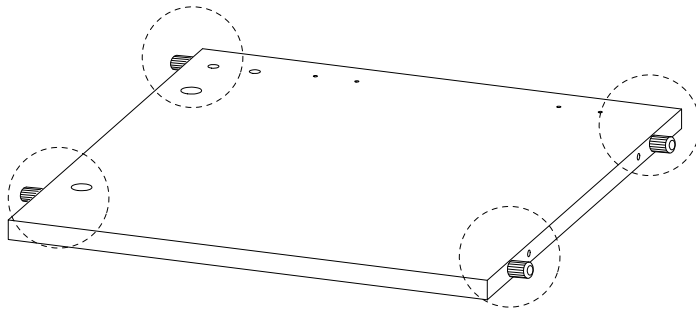
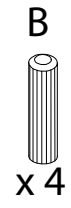
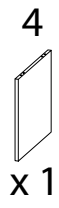
B



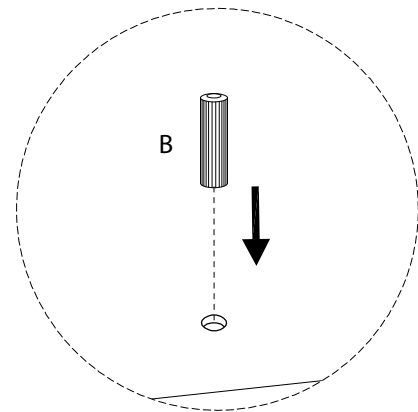
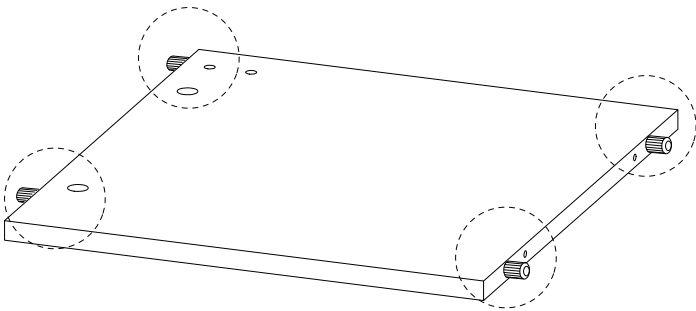
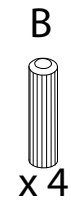
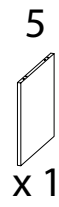
x 4



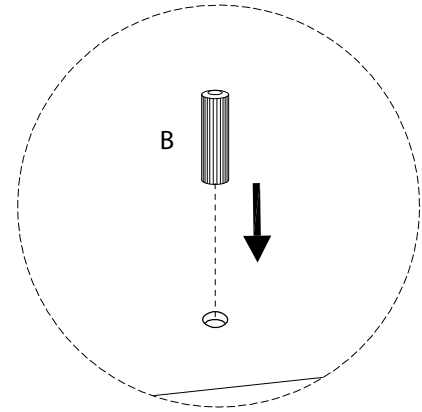
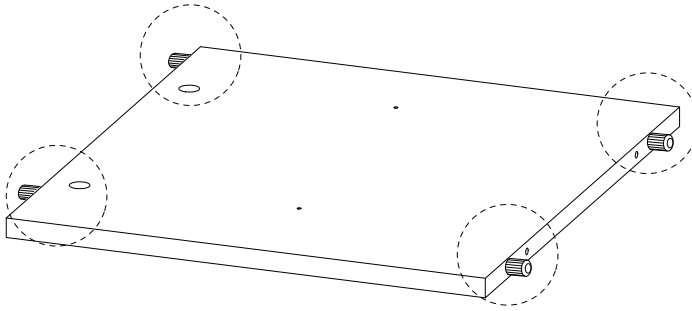
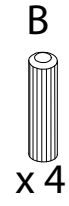
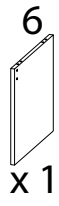
3



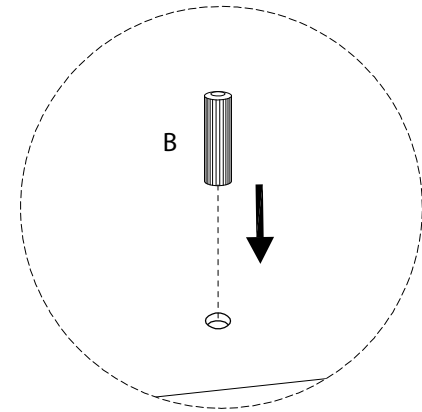
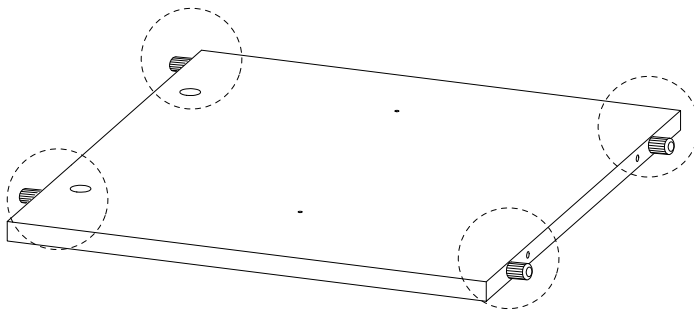
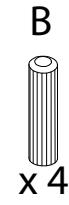
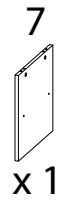
4



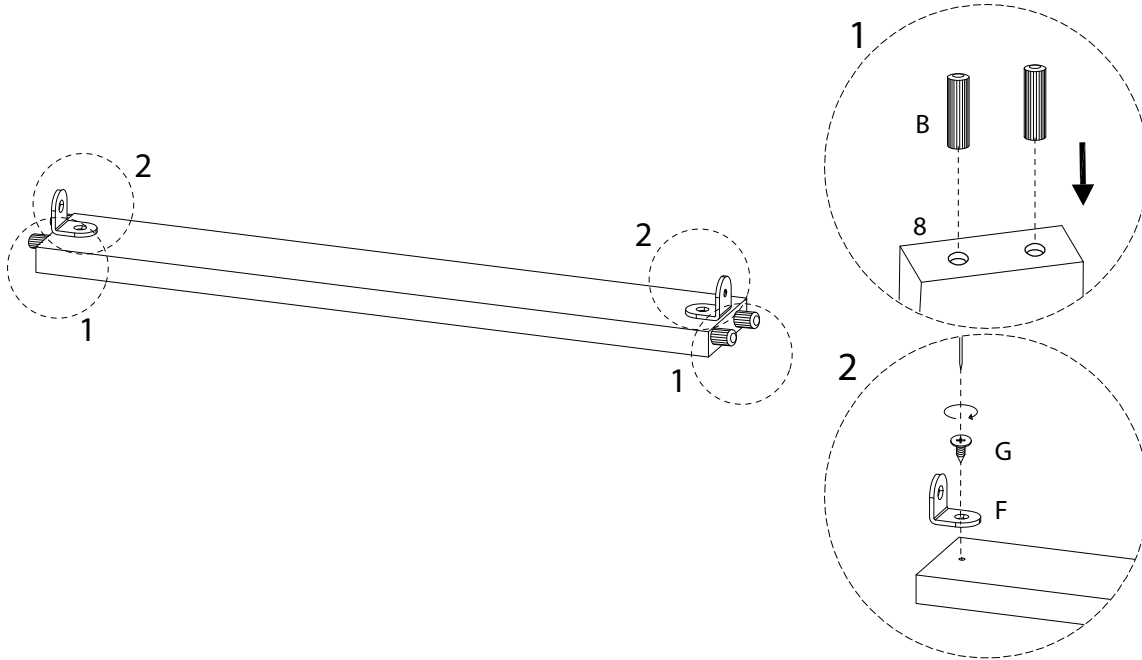
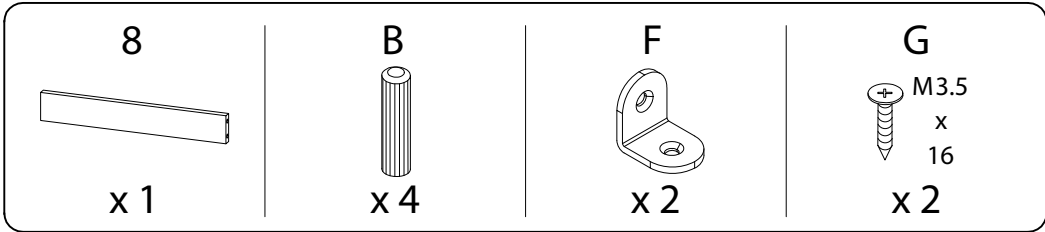
5



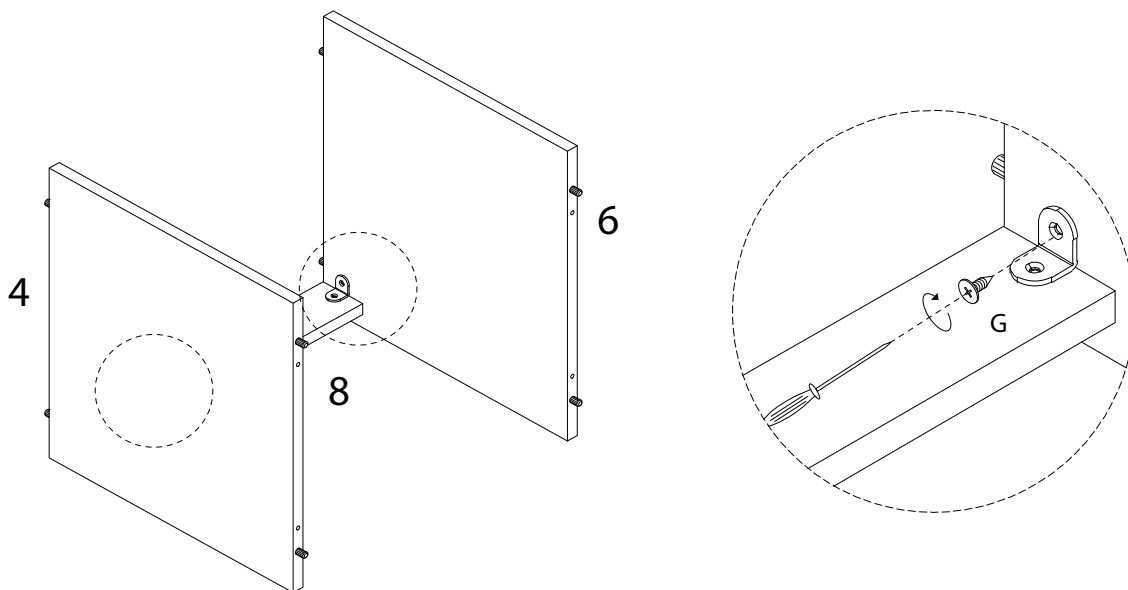
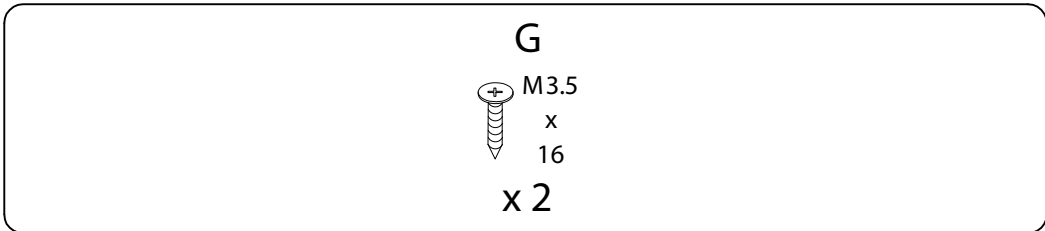
6



7 x 2

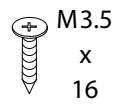


8

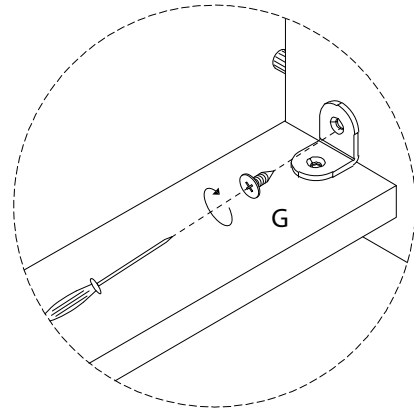
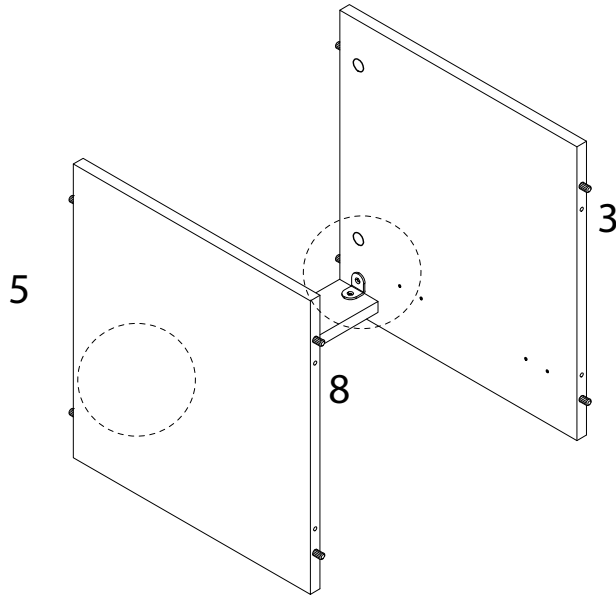


9

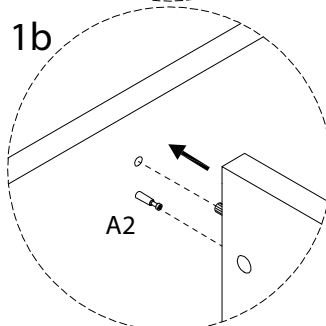
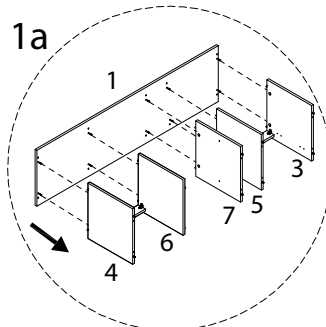
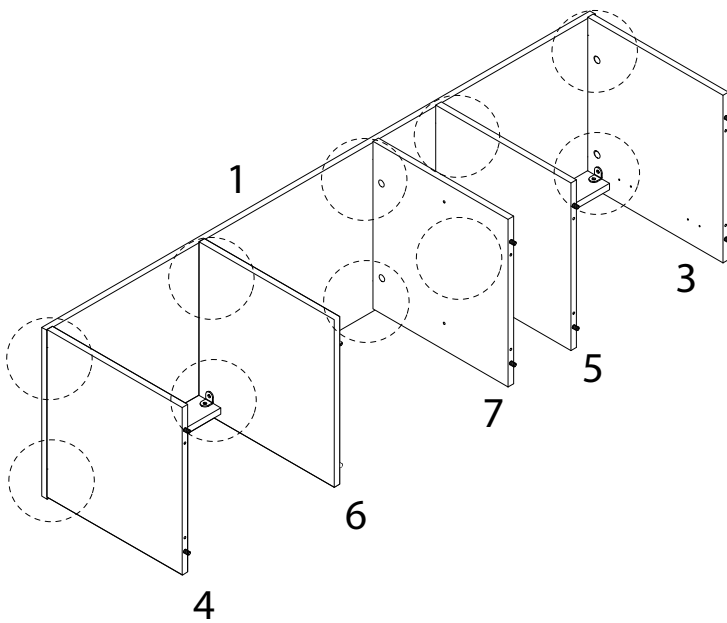
G



x 2



10





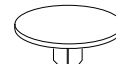
11

A1

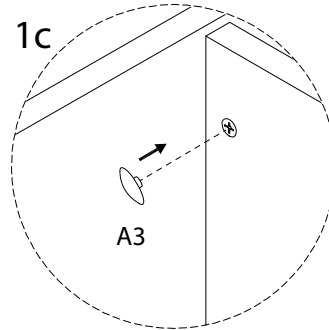
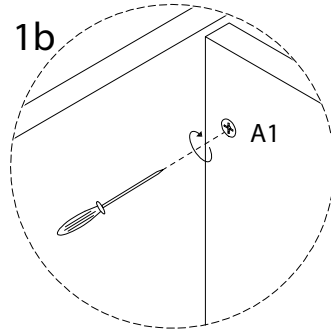
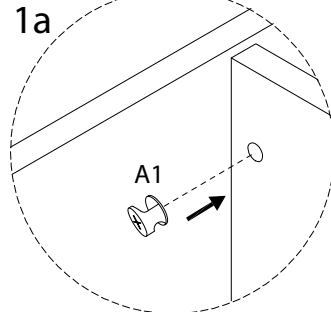
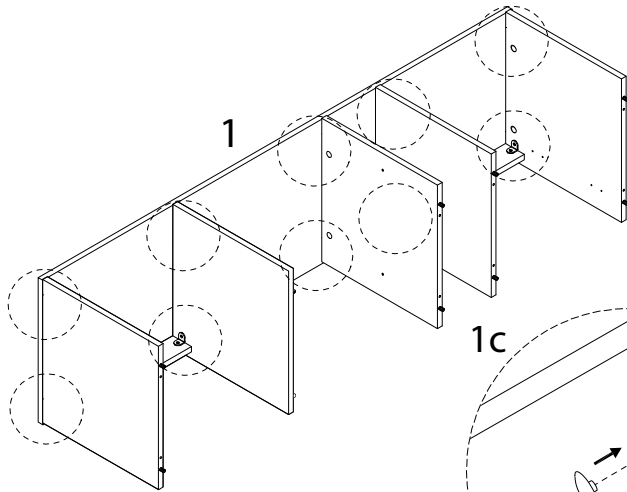


x 10

A3

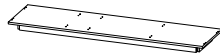


x 10



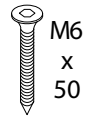
12

2



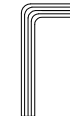
x 1

C

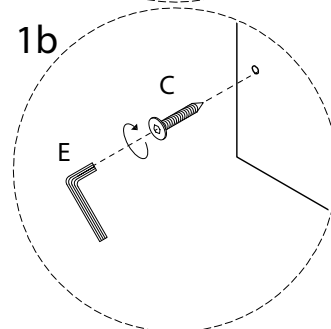
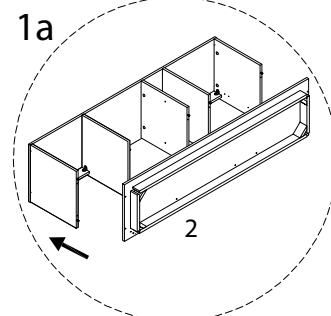
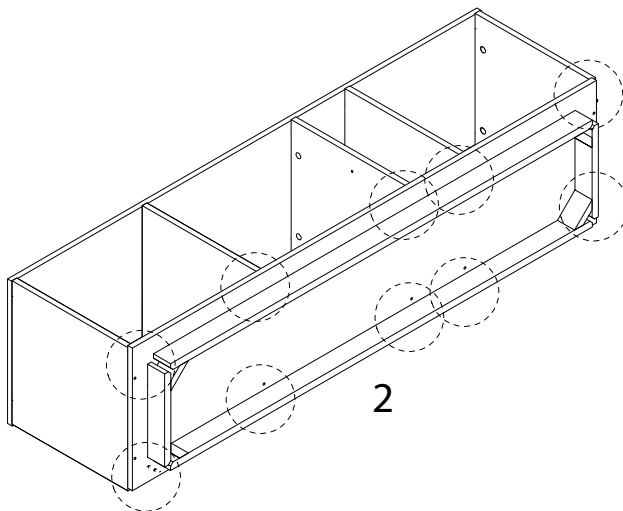


x 10

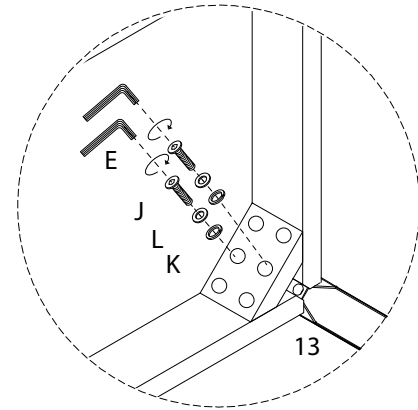
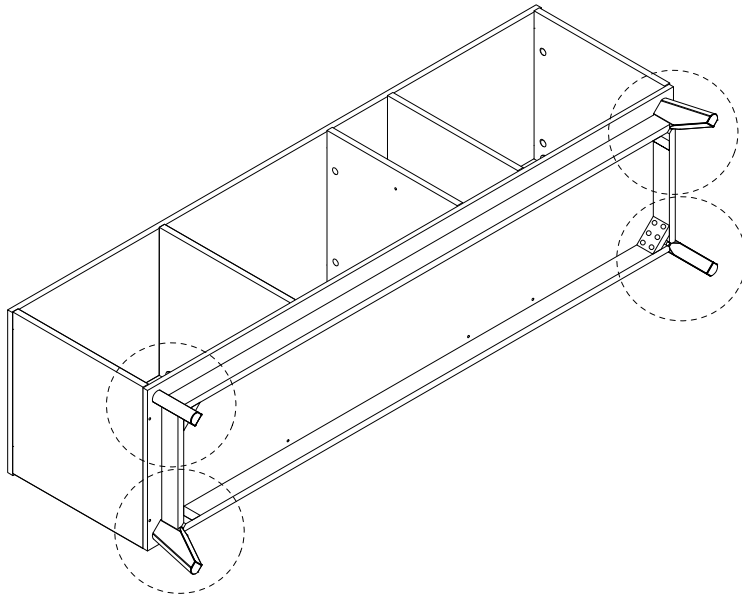
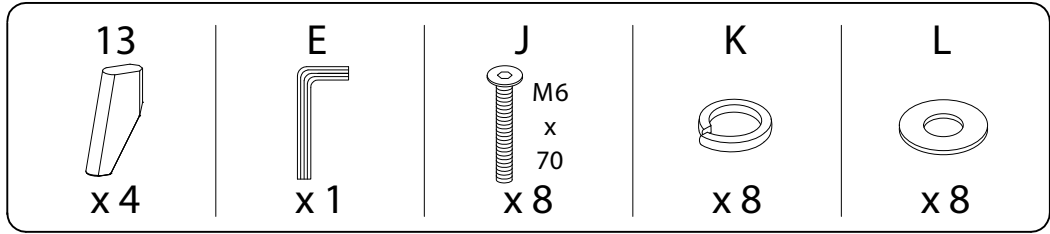
E



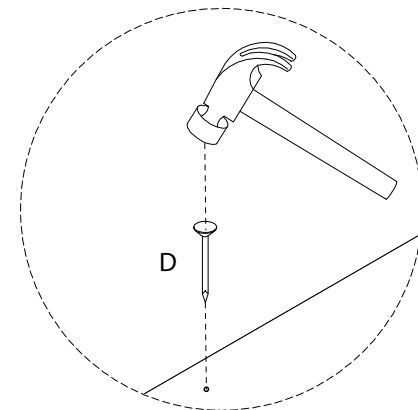
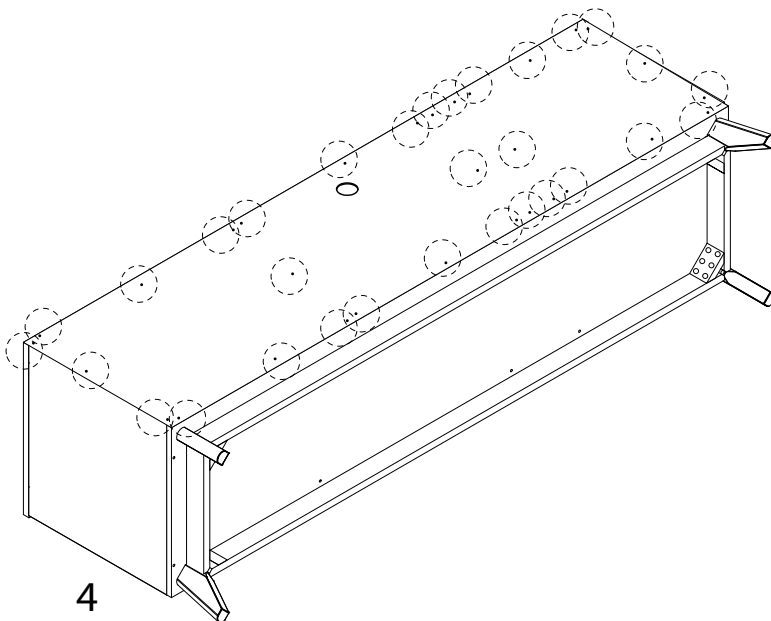
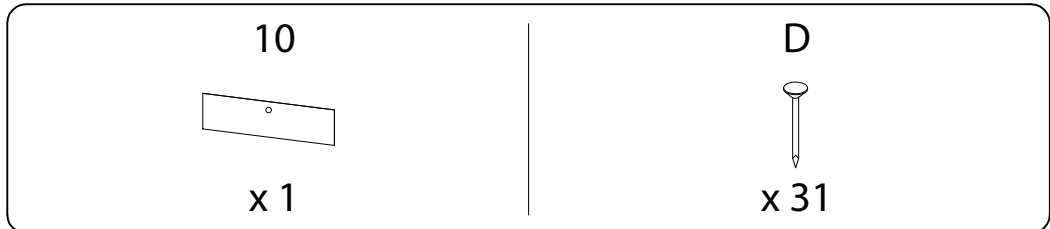
x 1



13

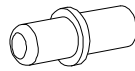


14

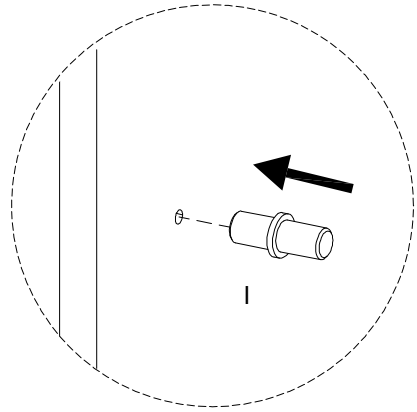
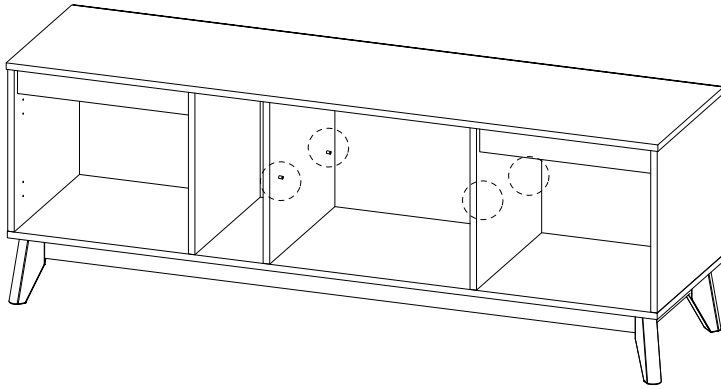


17

I



x4

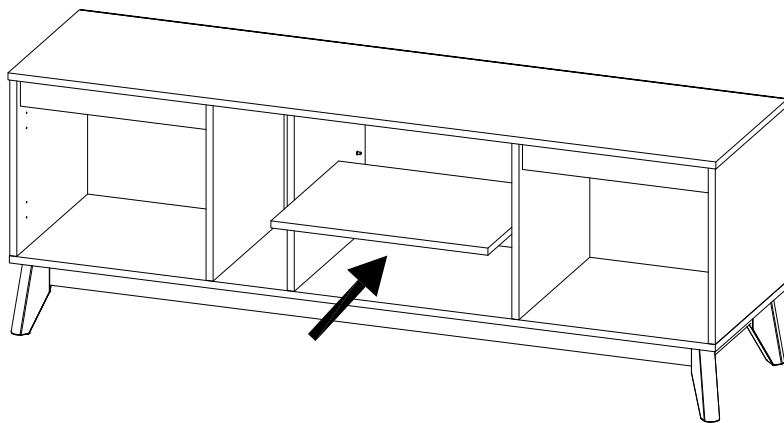


18

9

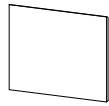


x1



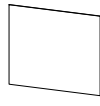
19

12



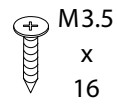
x 1

11



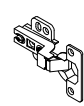
x 1

G

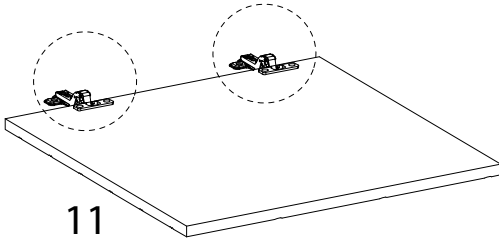


x 8

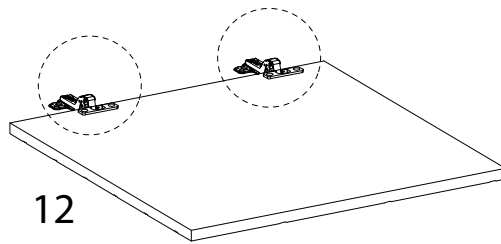
H



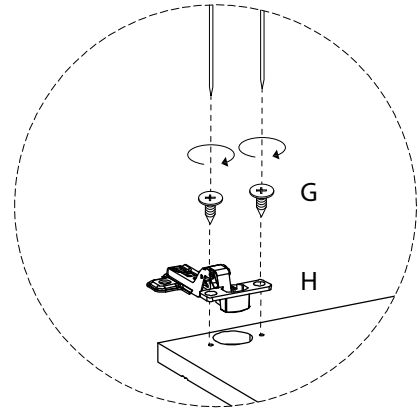
x 2



11

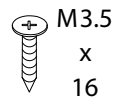


12

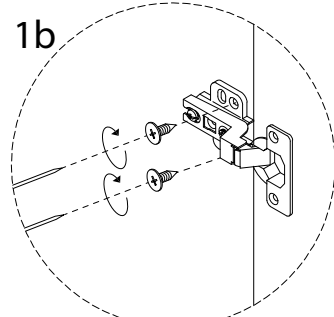
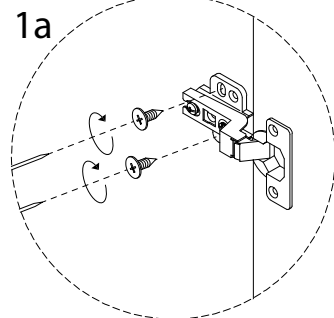
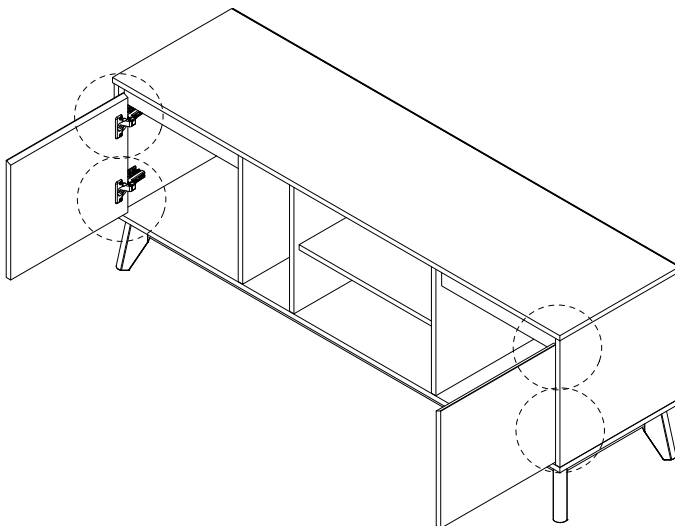


20

G



x 16



!

