

# MALACHITE

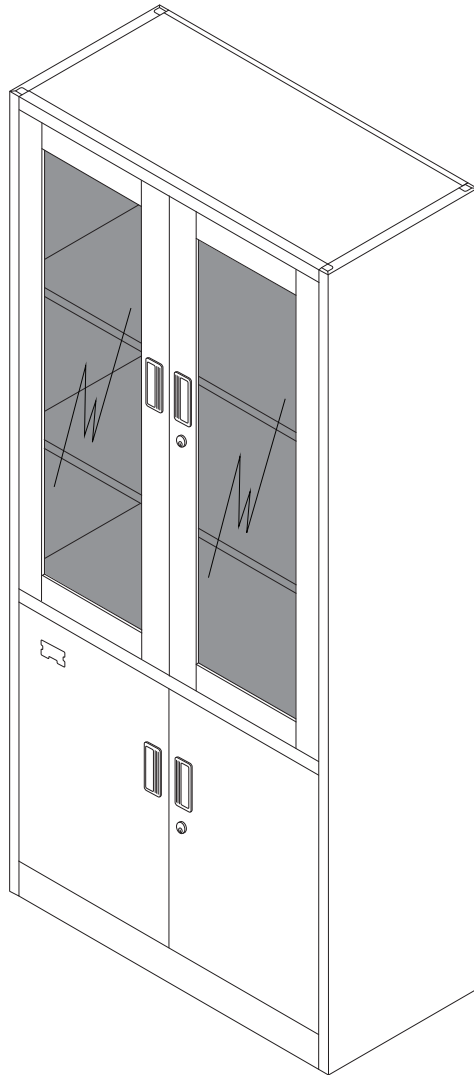
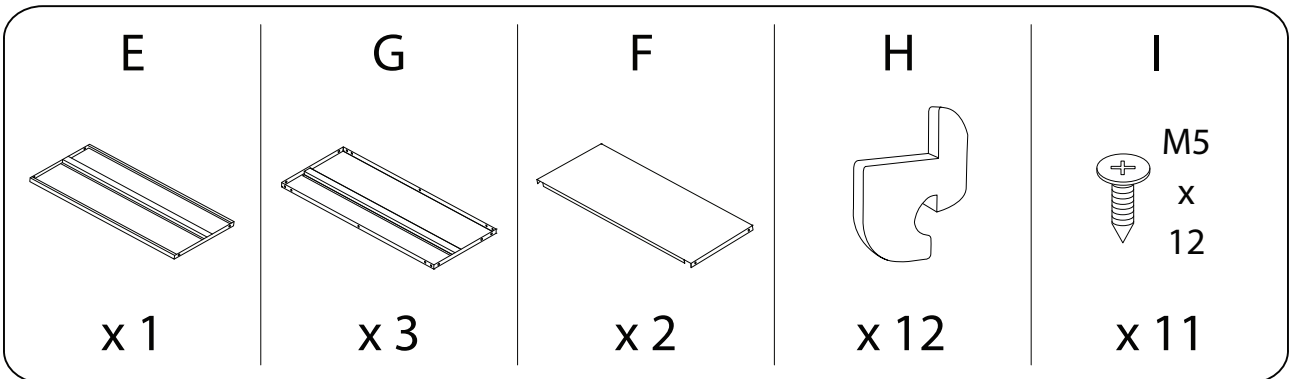
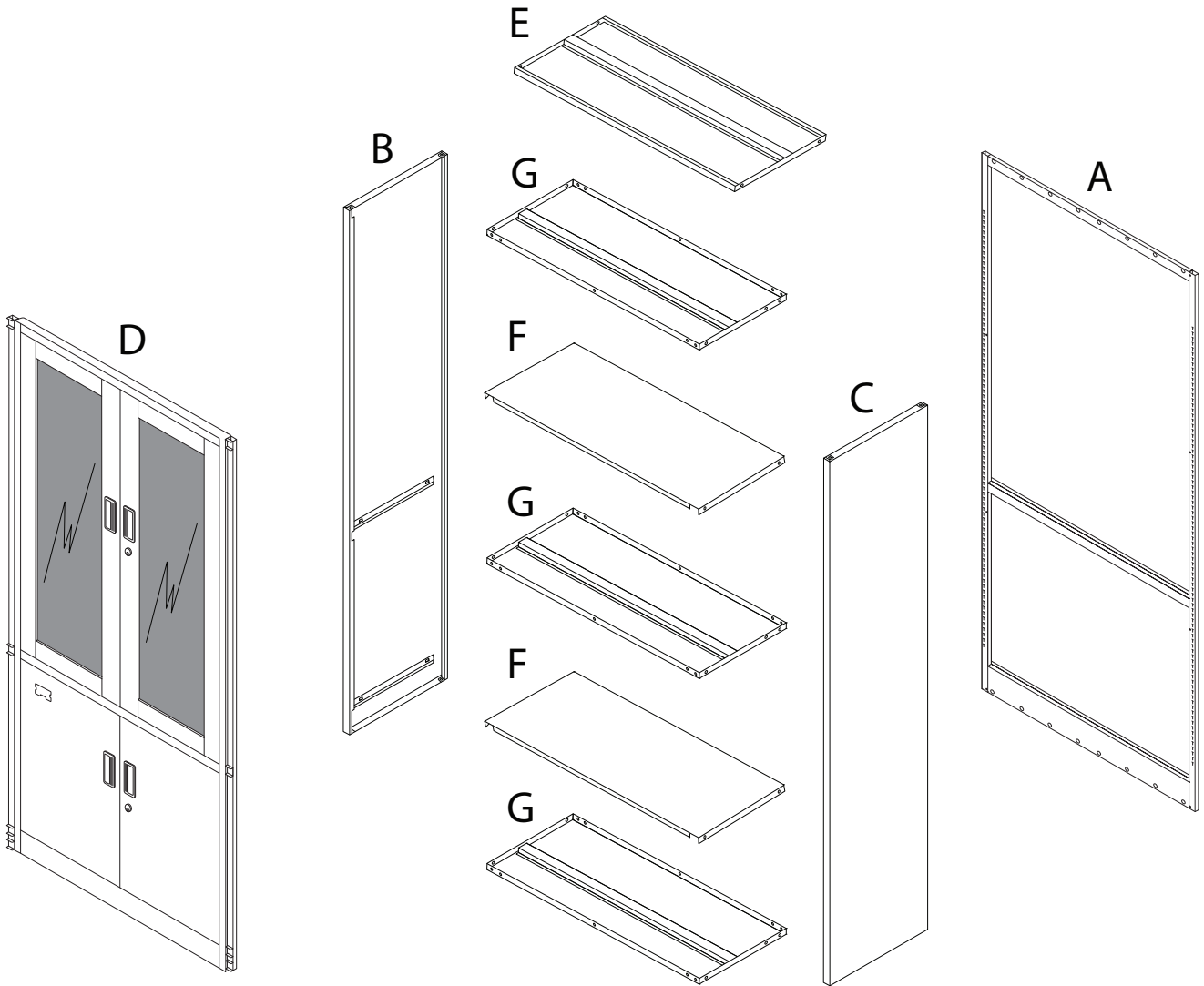
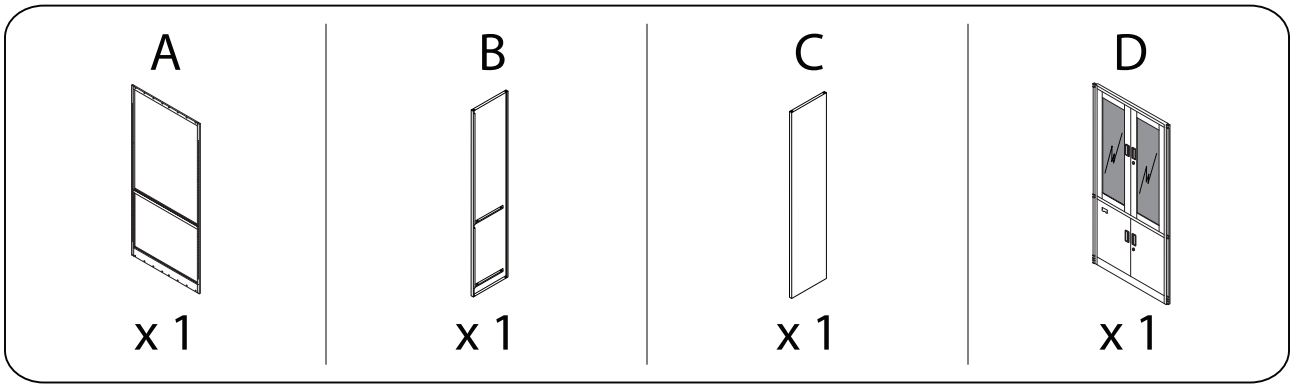




Diagram illustrating assembly instructions and safety warnings:

- Top Warning:** A triangular warning symbol with an exclamation mark is connected by a vertical line to a box containing a screwdriver icon and a crossed-out power drill icon.
- Time:** A clock icon is positioned to the right of the top warning box, with the text "30'" below it, indicating a 30-minute assembly time.
- Bottom Warning:** A second triangular warning symbol with an exclamation mark is connected by a vertical line to a box containing an icon of a block on a mat and a crossed-out icon of a block being lifted.
- Personnel:** A stick figure icon representing a person is positioned to the right of the bottom warning box, with the number "2" below it, indicating that two people are required for assembly.

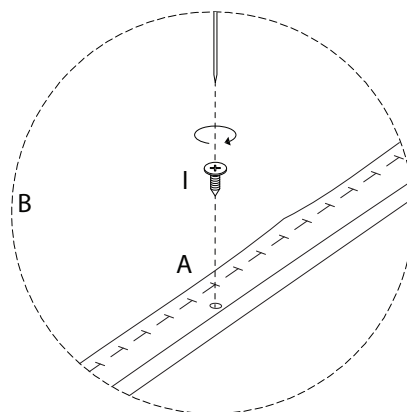
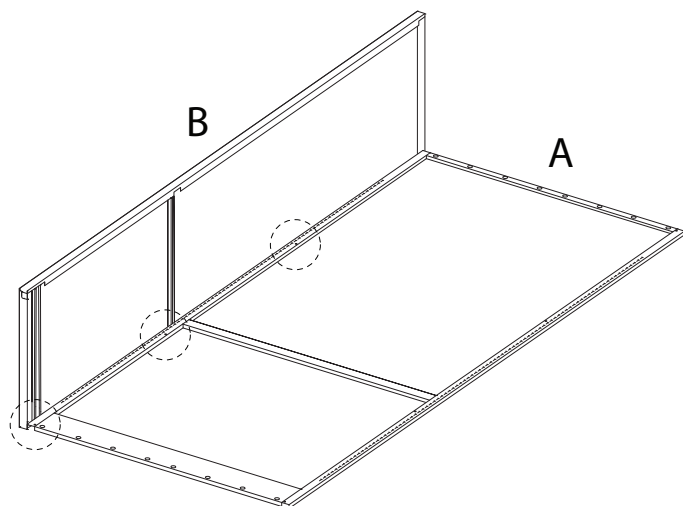


1

A  
x1

B  
x1

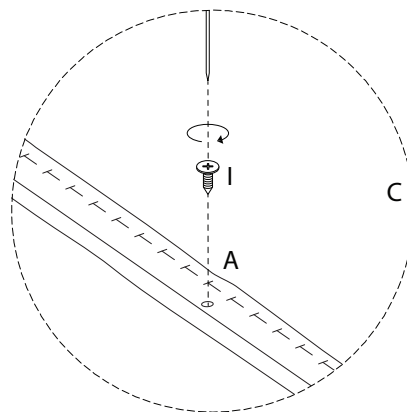
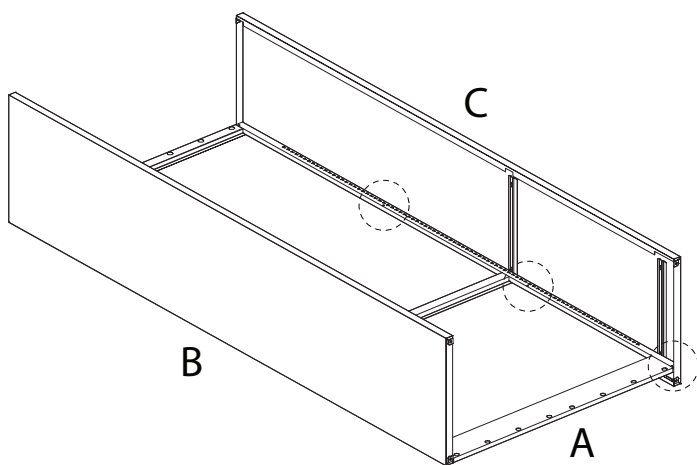
I  
M5  
x  
12  
x3



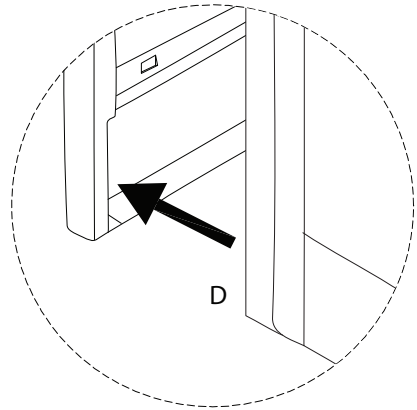
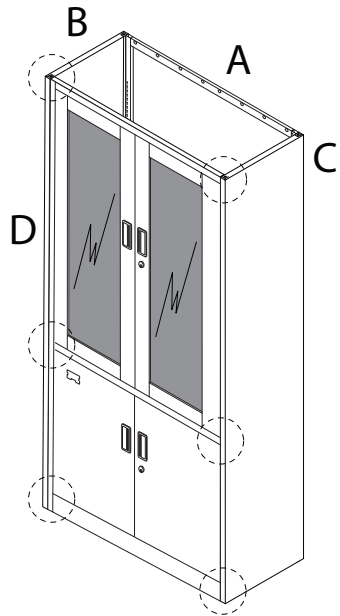
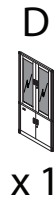
2

C  
x1

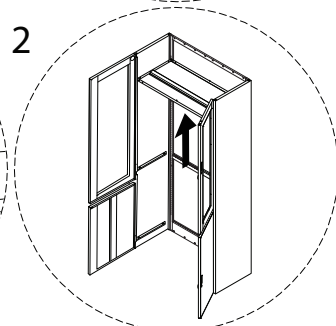
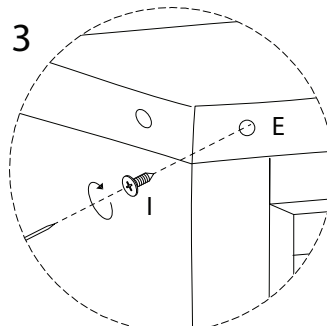
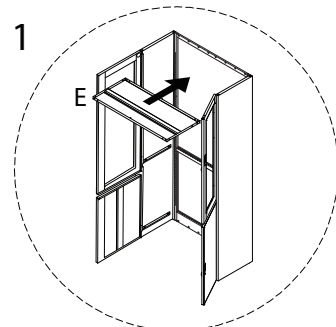
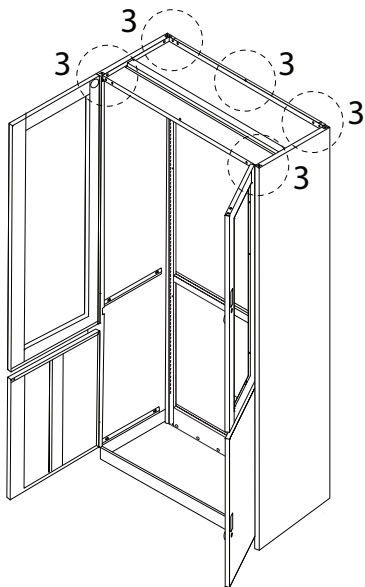
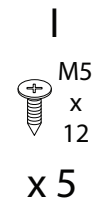
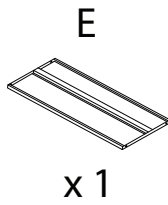
I  
M5  
x  
12  
x3



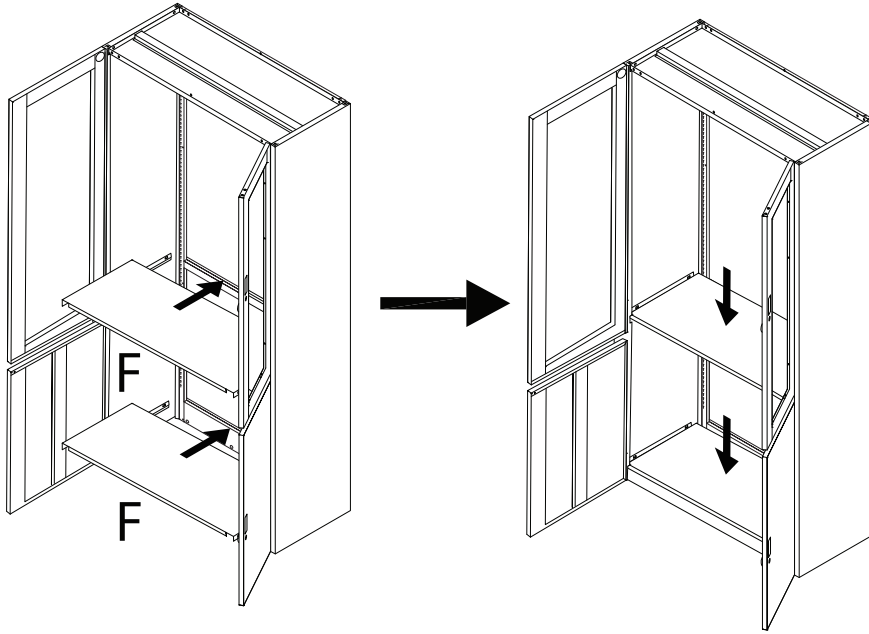
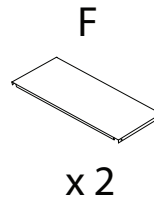
3



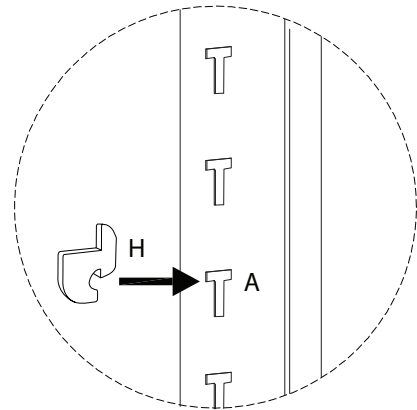
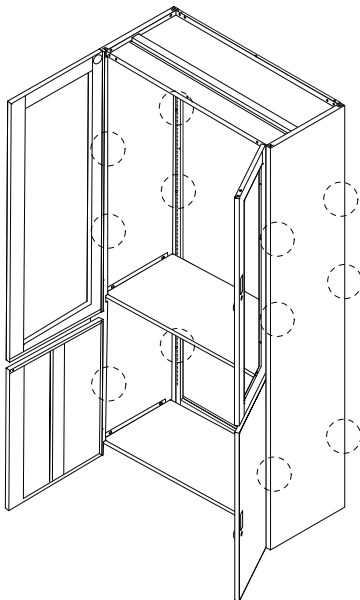
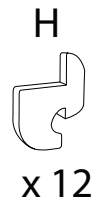
4



5

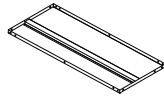


6



7

G



x 3

