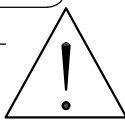
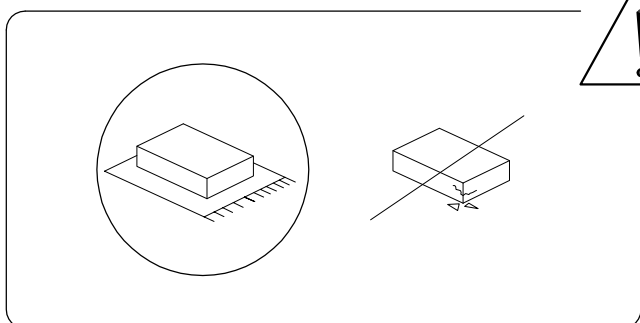
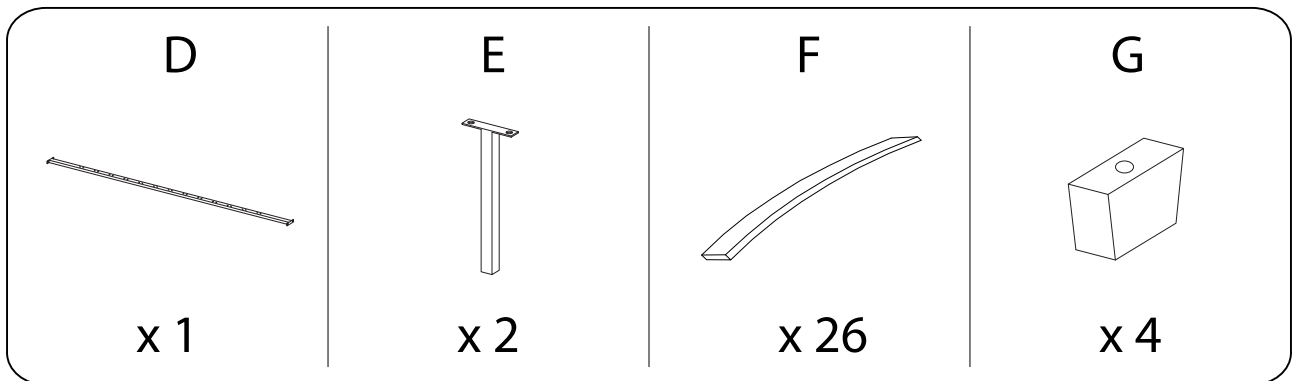
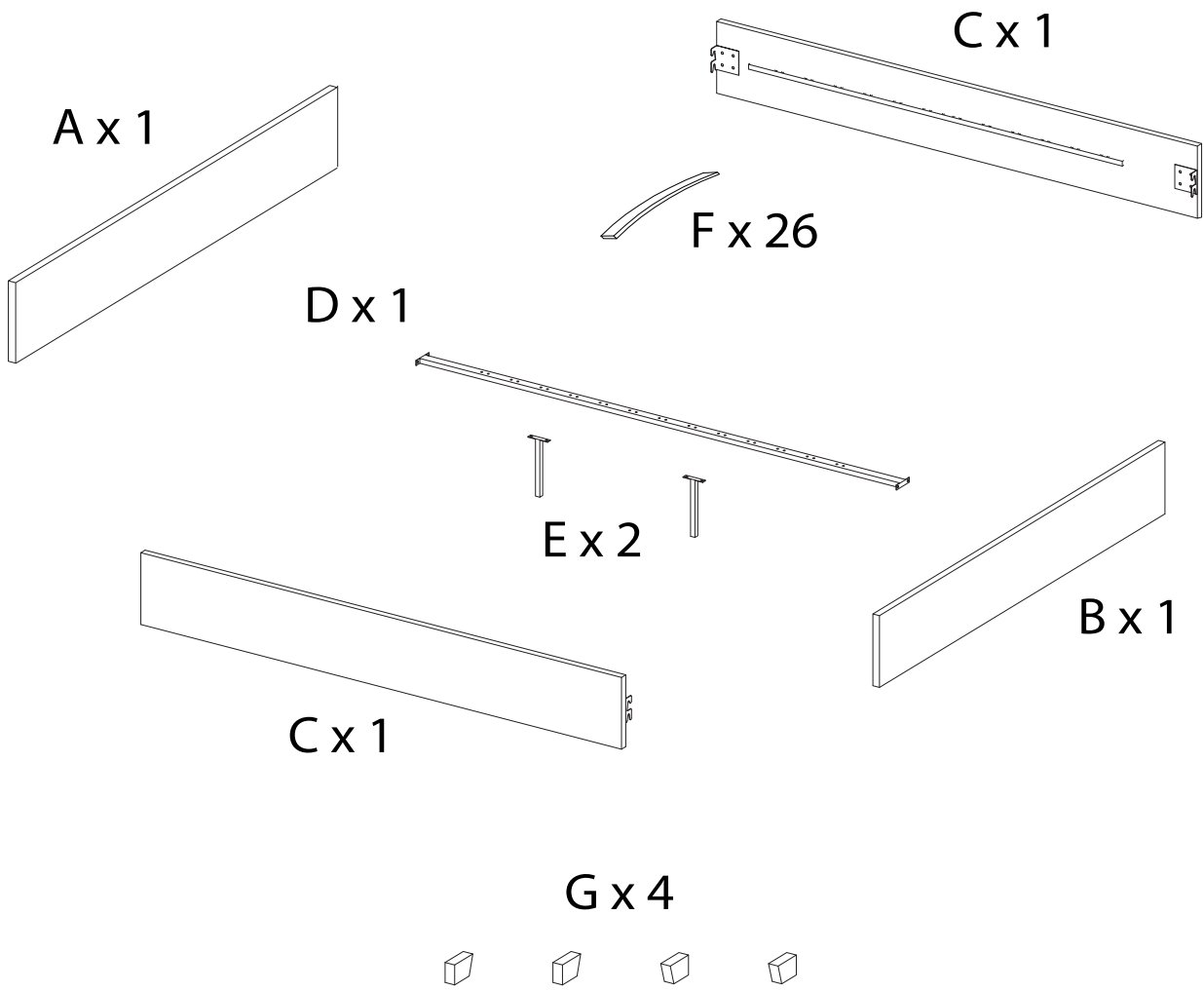
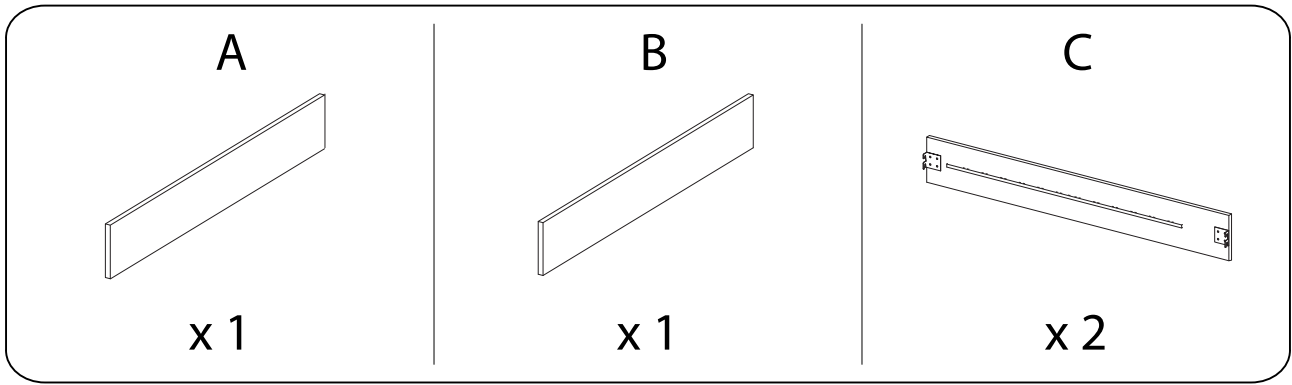


45'

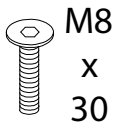


1

1/7

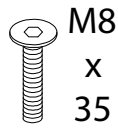


H



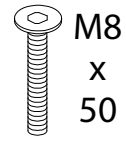
x 12

I



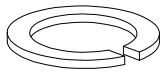
x 4

J



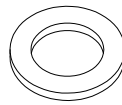
x 4

K



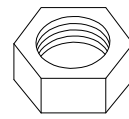
x 8

L



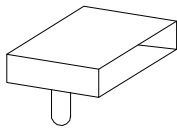
x 12

M



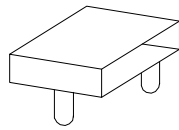
x 4

N



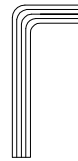
x 26

O



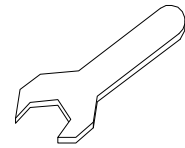
x 13

P




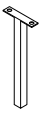

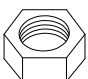
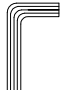
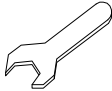
x 1

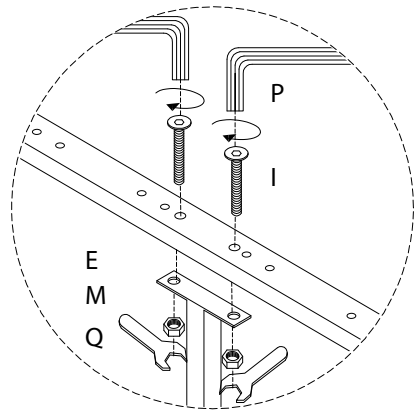
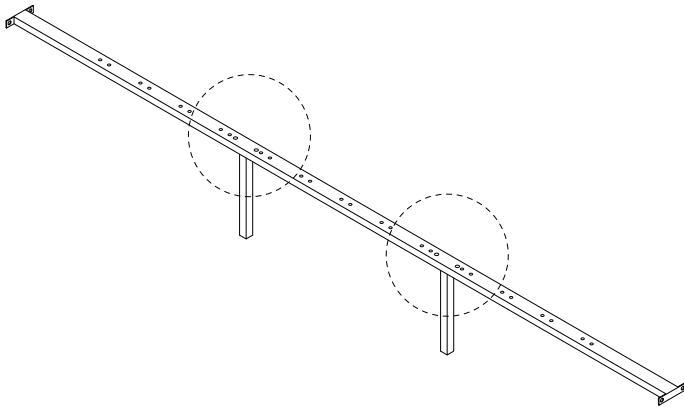
Q



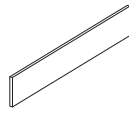
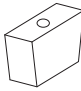
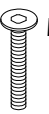


x 1

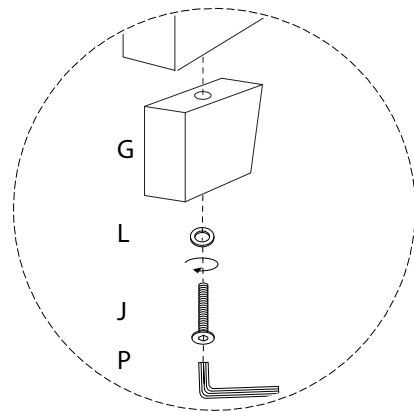
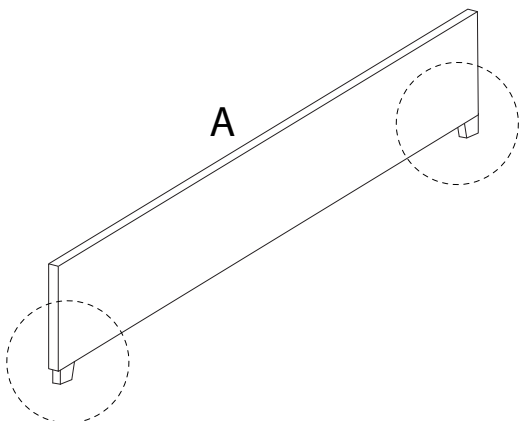
1

D  x 1	E  x 2	I  M8 x 35 x 4	M  x 4	P  x 1	Q  x 1
---	---	--	--	---	---

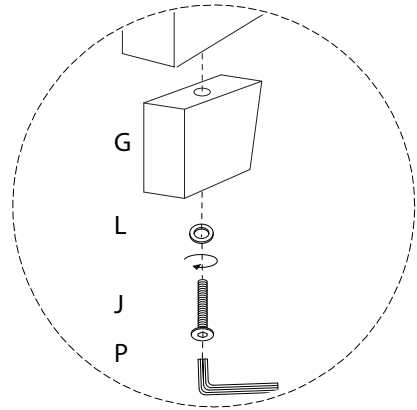
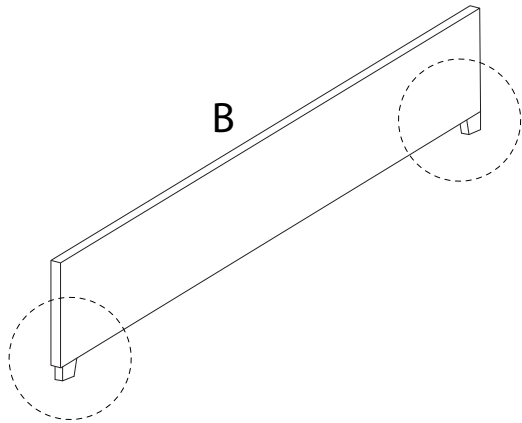
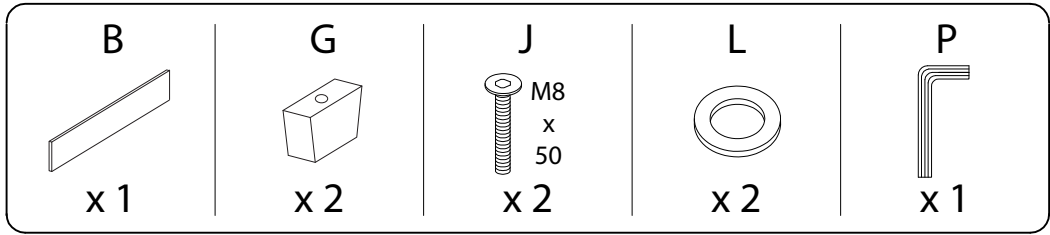


2

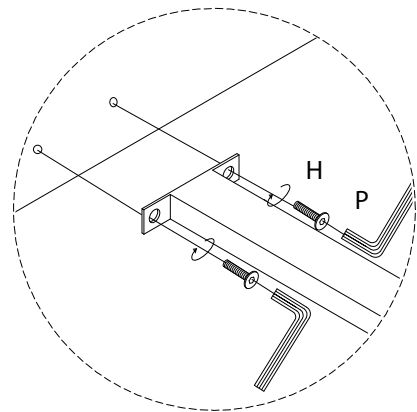
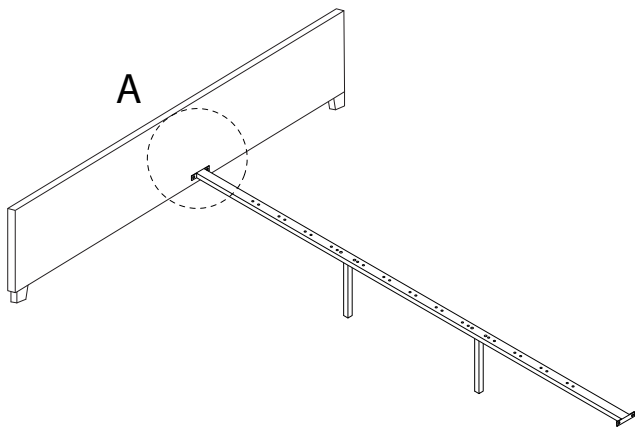
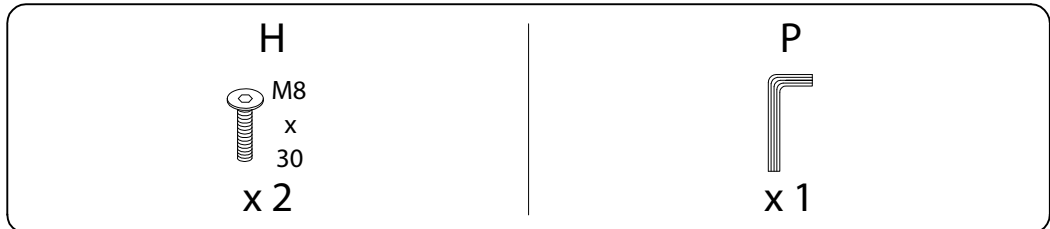
A  x 1	G  x 2	J  M8 x 50 x 2	L  x 2	P  x 1
---	---	--	---	---



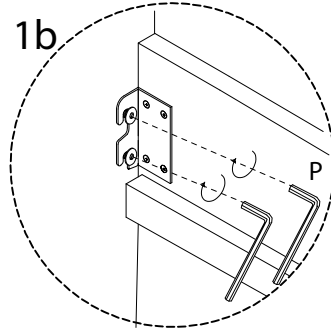
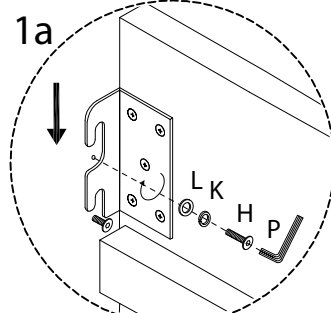
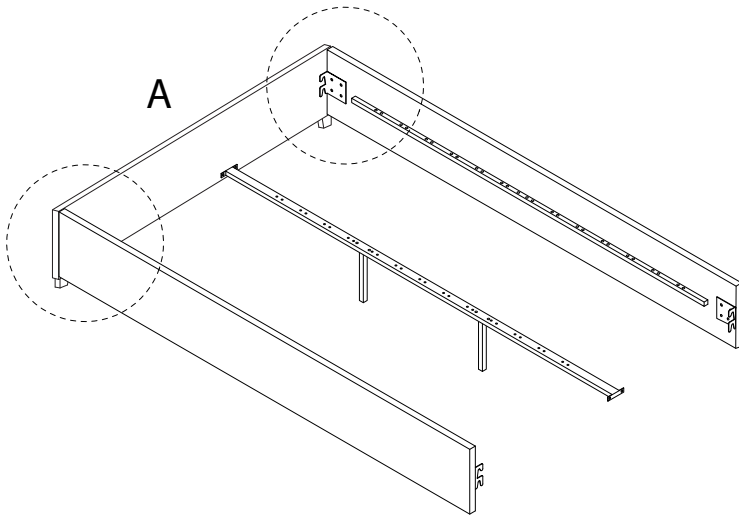
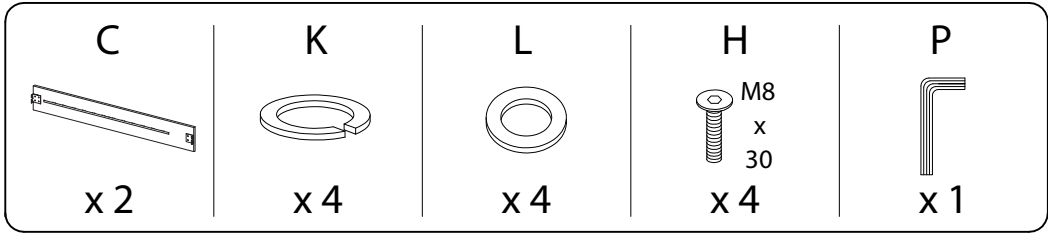
3



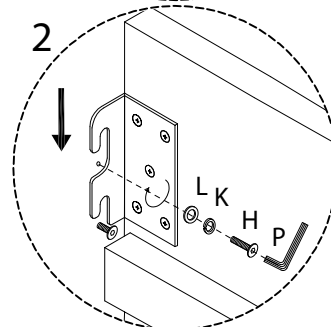
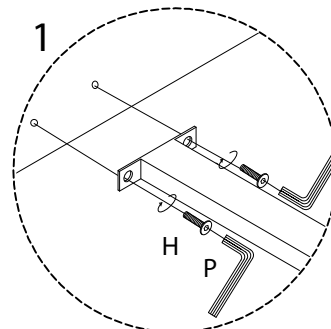
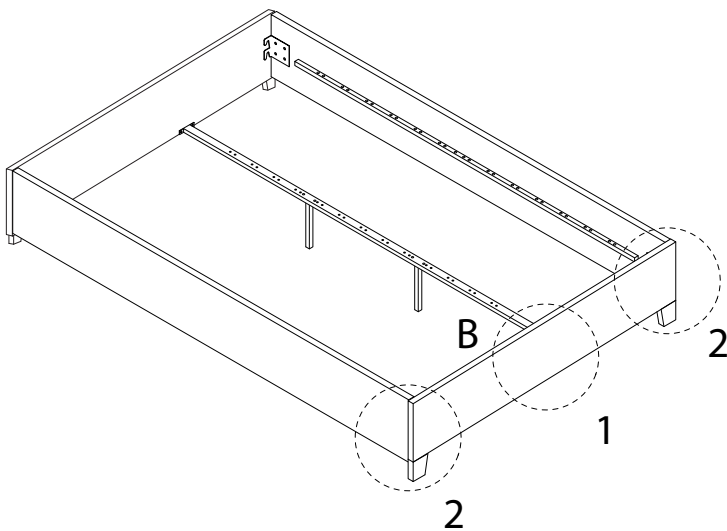
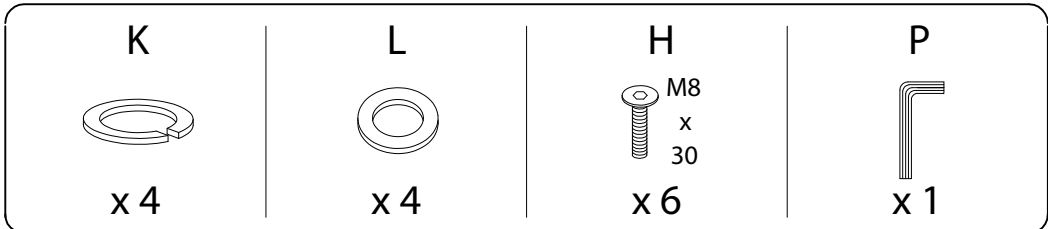
4



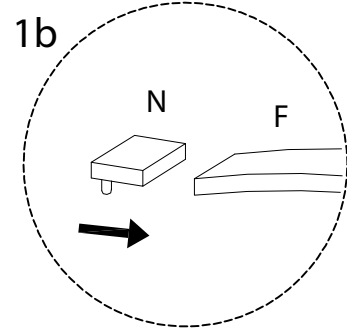
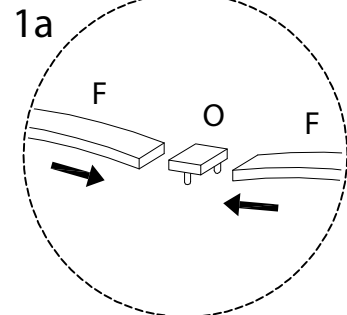
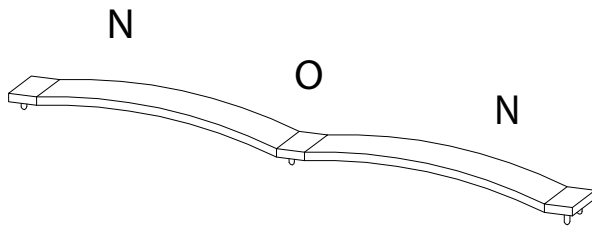
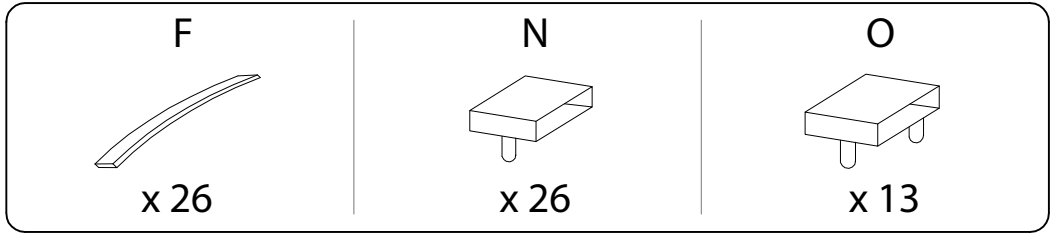
5



6



7



8

