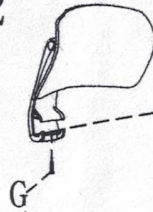
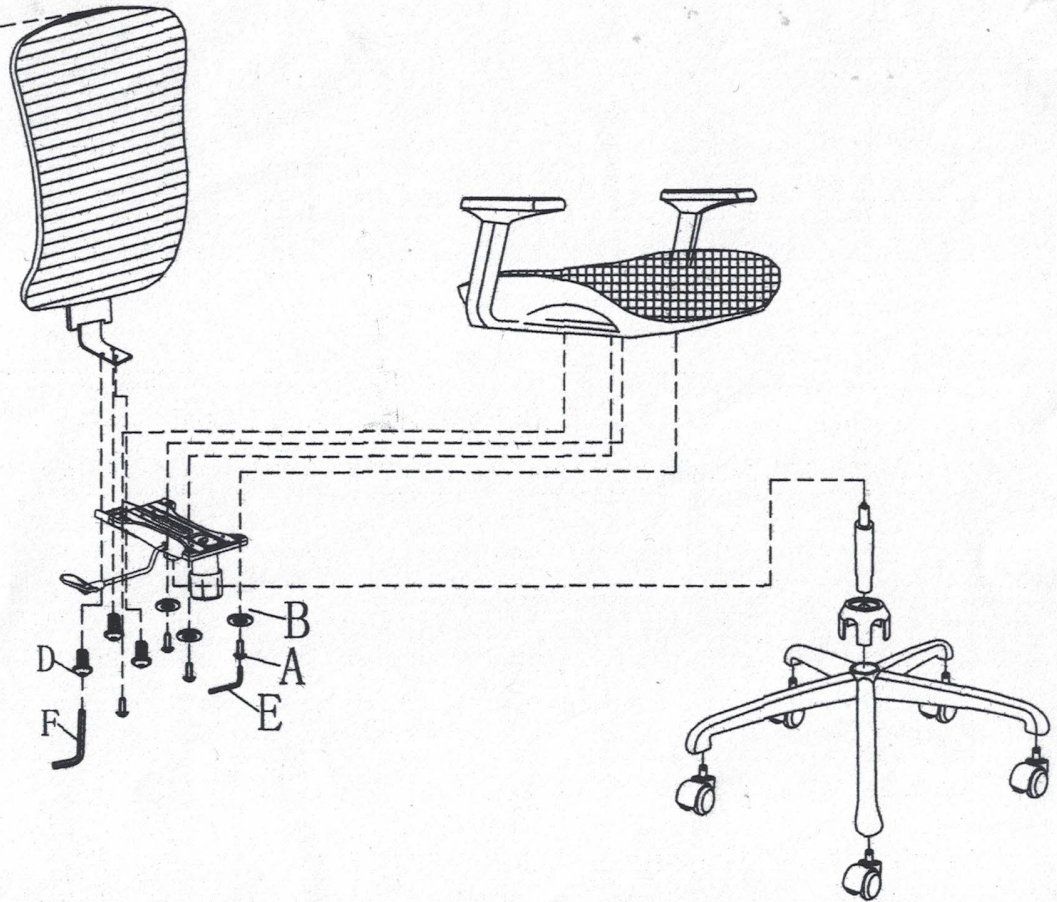
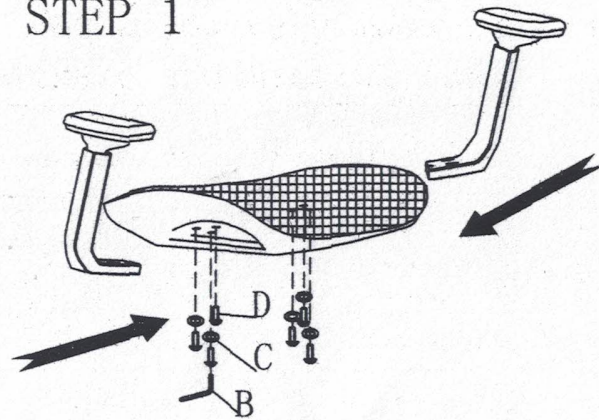


Thank you very much for your support and cooperation! please check if there are missing components in the carton before assembling the goods, thanks








STEP 2



STEP 1



CM-B161A-2

NO.	A	B	C	D	E	F	G
TYPE	 M6x20	 φ8x1.2	 M6x30	 M8x16	 5mm	 6mm	 M4x16
QTY.	4 PCS	10 PCS	6 PCS	3 PCS	1 PC	1 PC	1 PC

