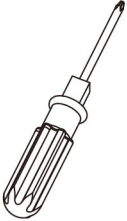
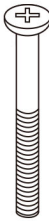

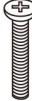



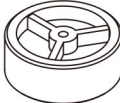
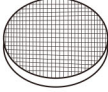
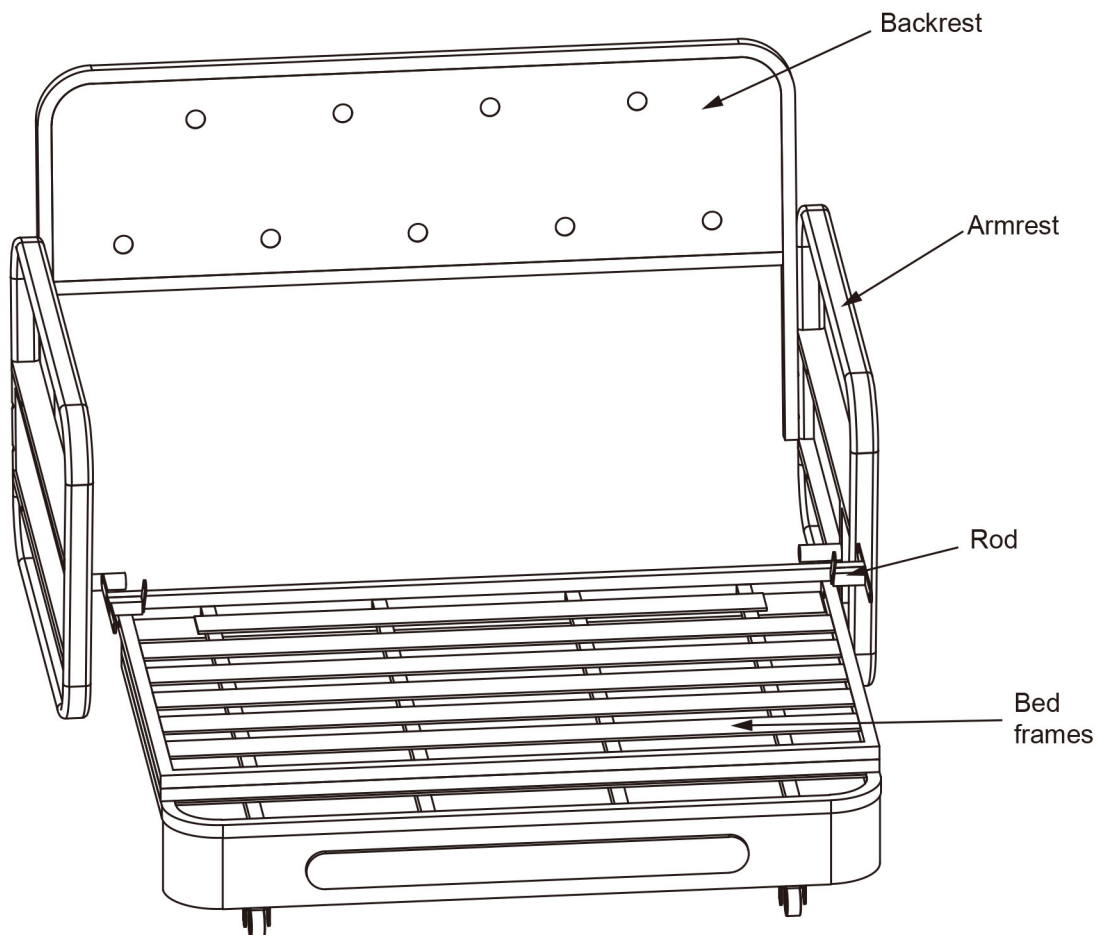


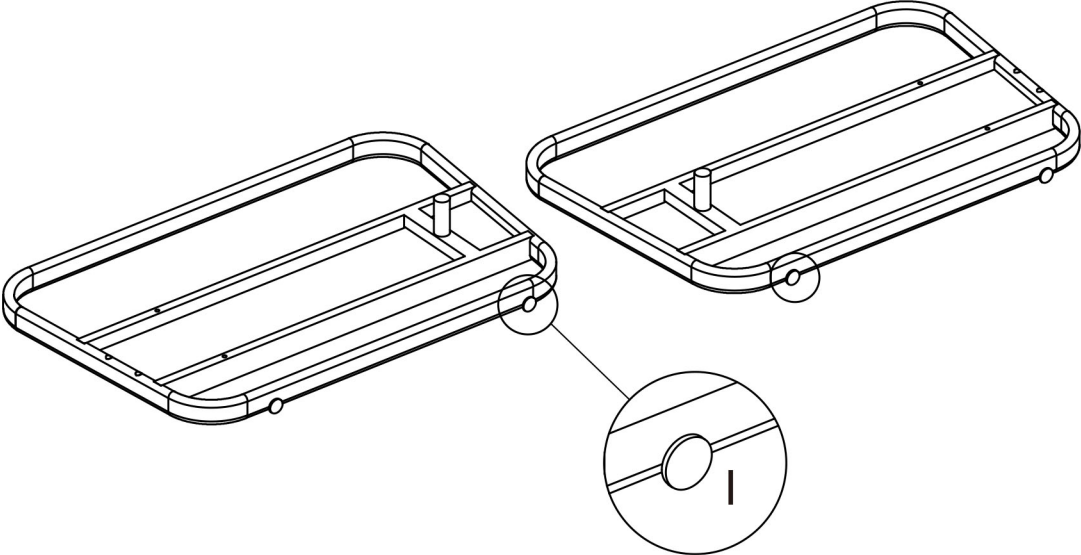
1. Check accessories

- 1) Black mats*4
- 2) Bolt: Small*4, Medium*6, Large*4
- 3) Wheel*4
- 4) Nut*14
- 5) Nut washer*10
- 6) Screwdriver*1

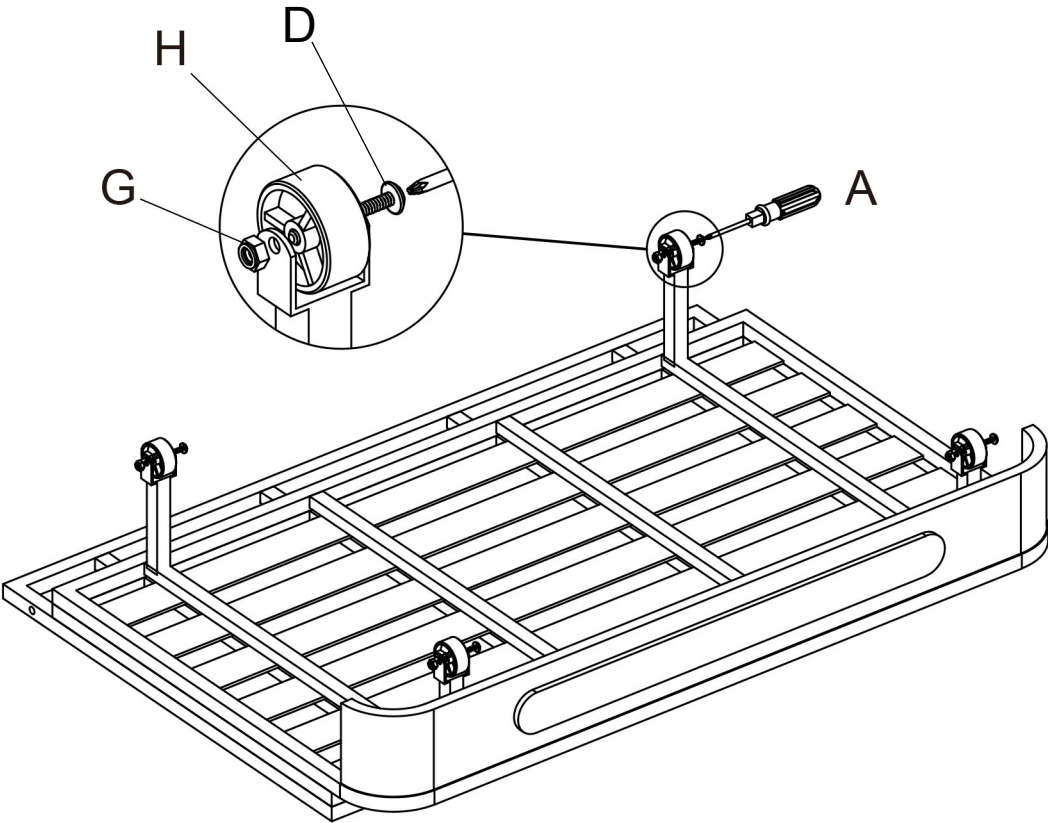
A  1	B  4	C  6	D  4	E  10
F  10	G  4	H  4	I  4	



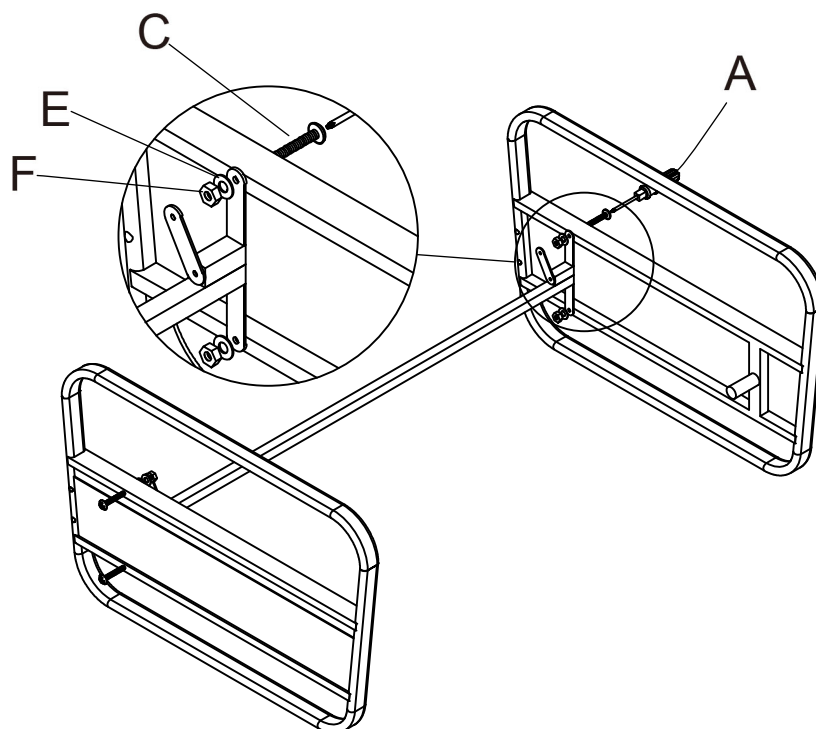
2. Assemble the wheels with small bolts



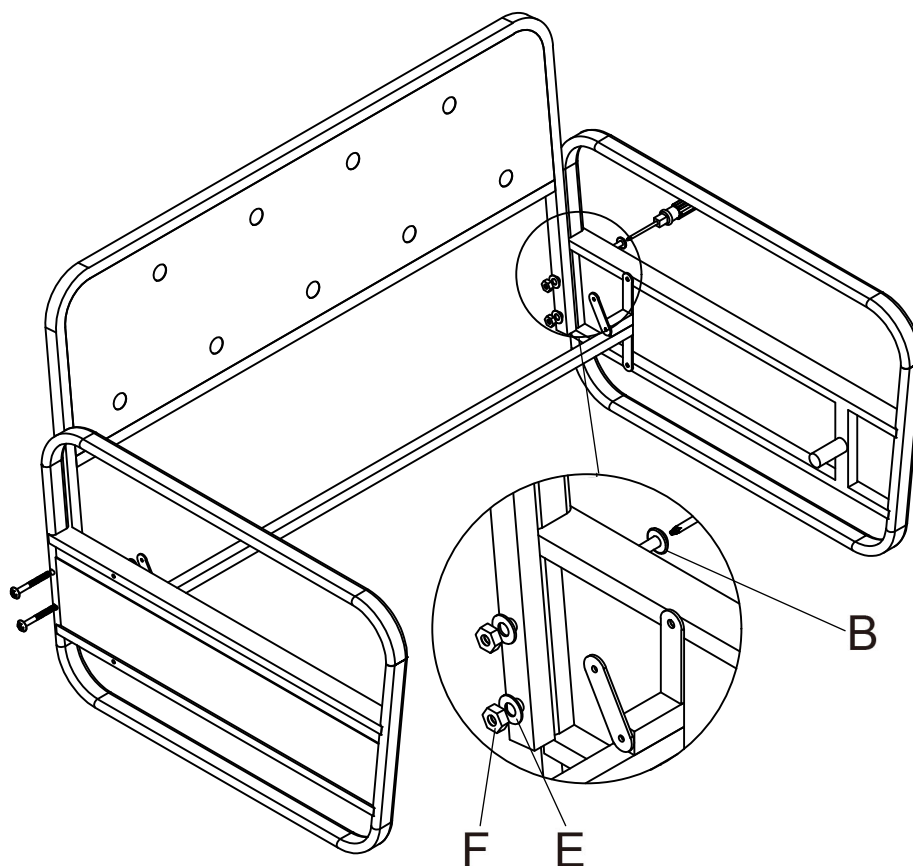
3. Stick the black mats under the armrest



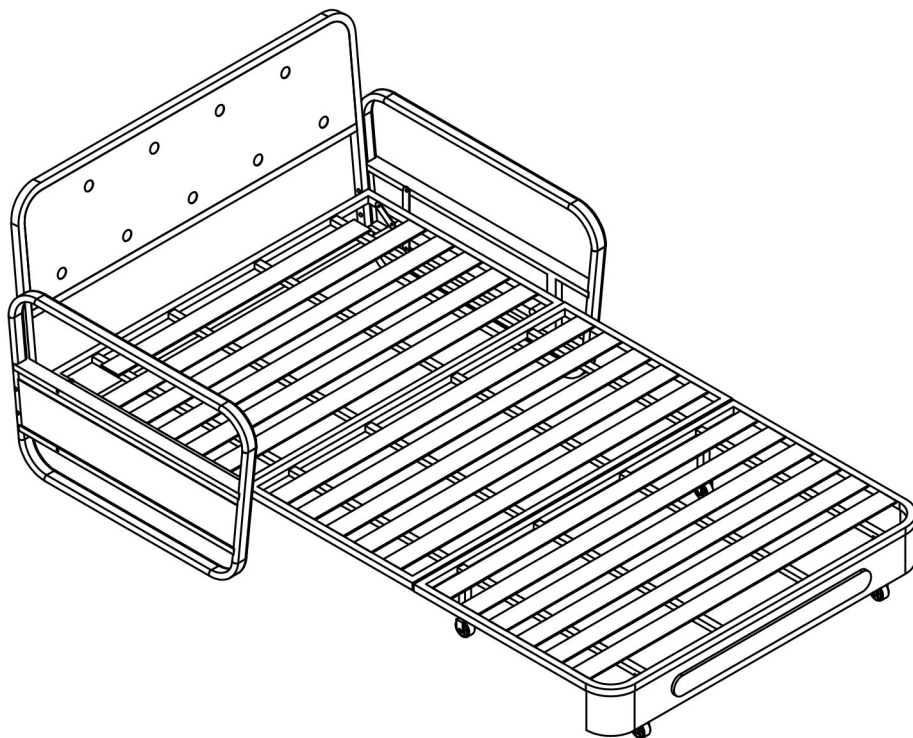
4. Attach tie rods and handrails with medium bolts



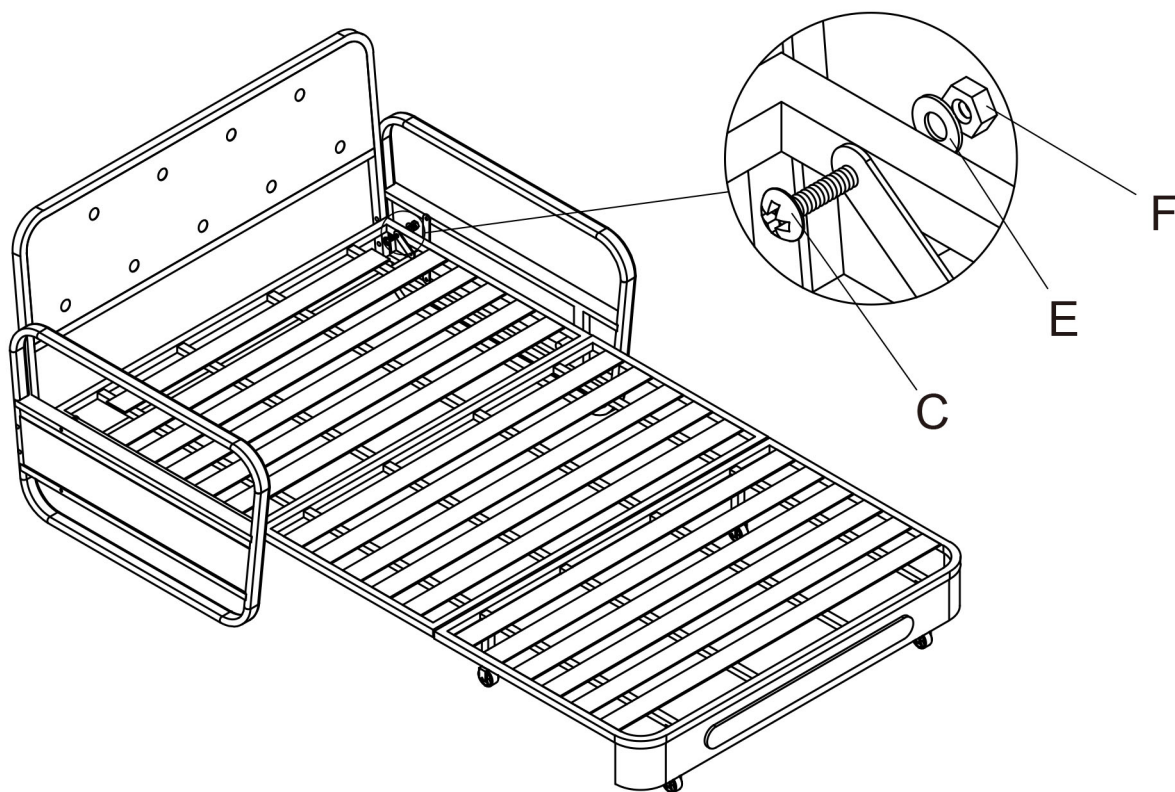
5. Assemble the backrest with large bolts, inserting the bolts from top to bottom



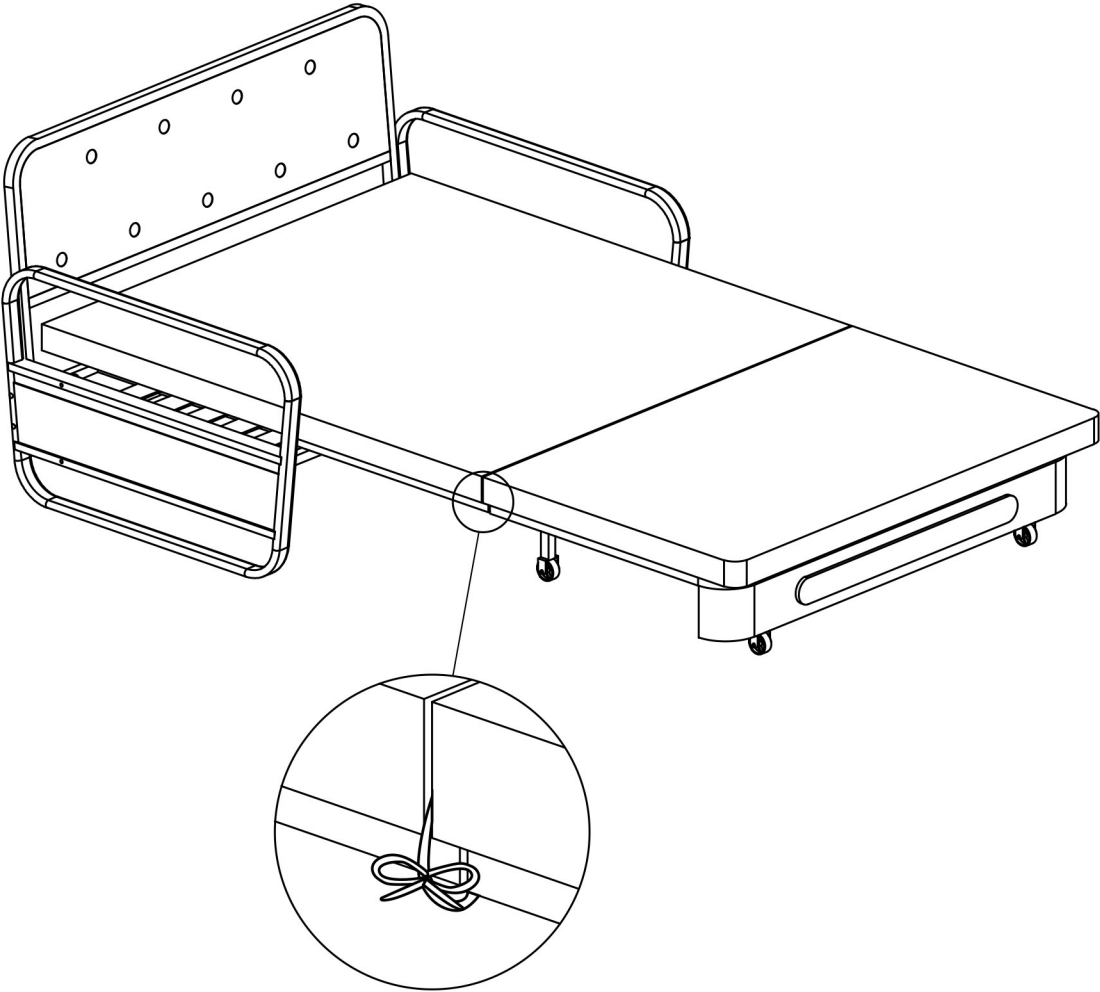
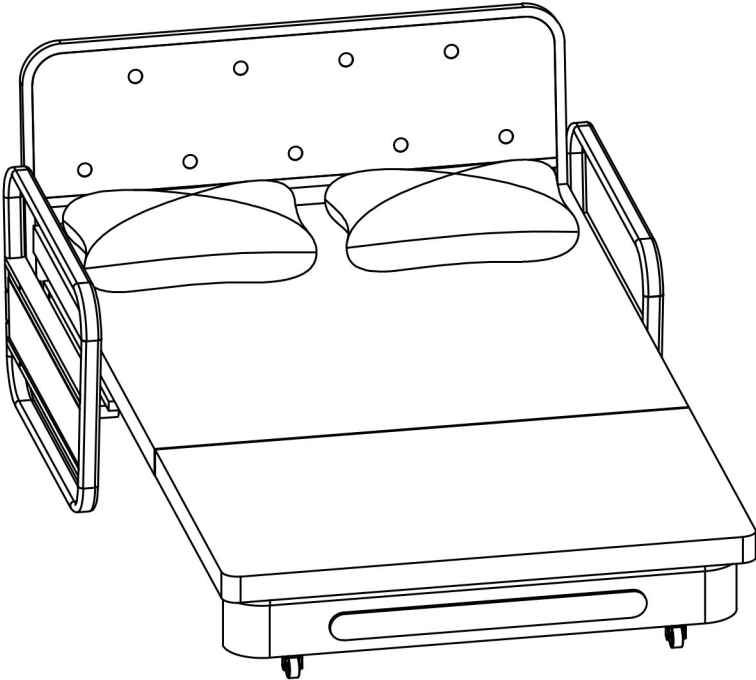
6. Unfold the bed frame



7. Secure the bed frame and backrest with medium bolts

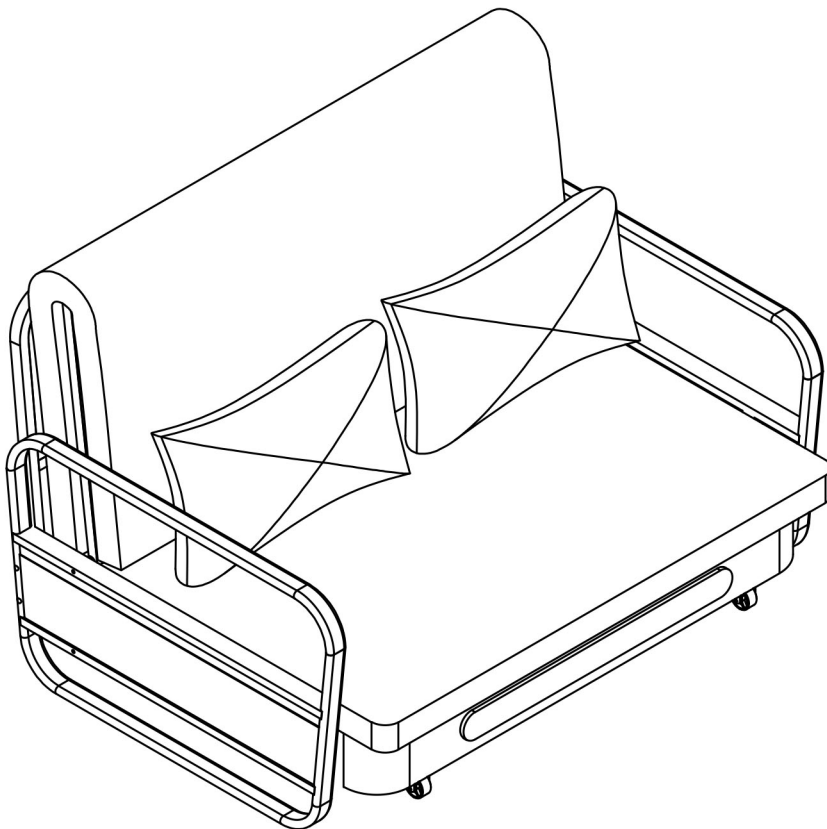
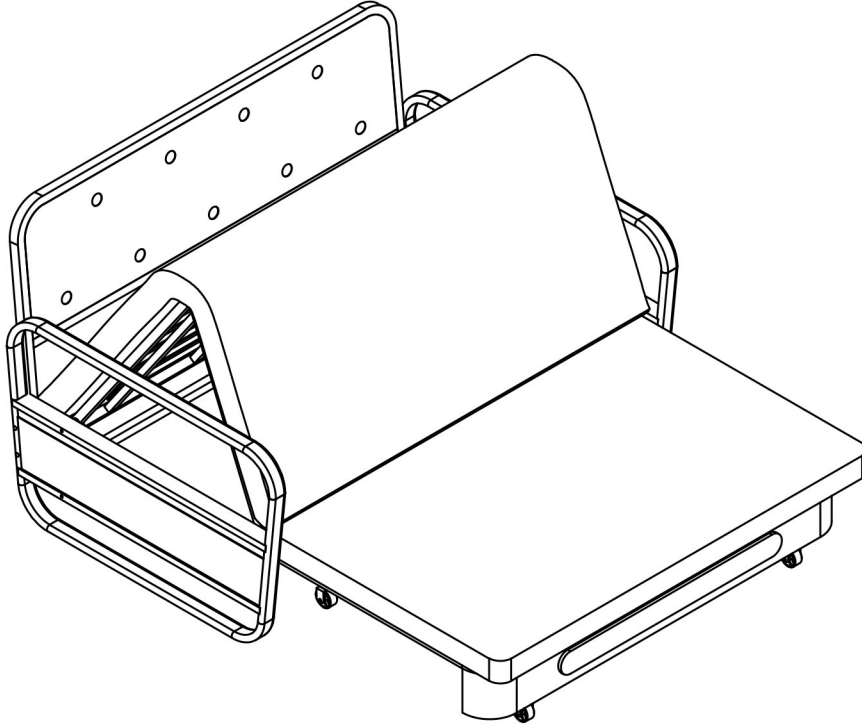


8. Lay out the cushions and fasten the mattress
Install Arm Covers



9. How to turn into a sofa?

- 1) Put one hand in the middle and one hand at the end of the bed
- 2) Lift the middle up, push the end of the bed forward
- 2) Finally tighten the armrest



※Please pay attention to clean the ground when installing to avoid scratches.