





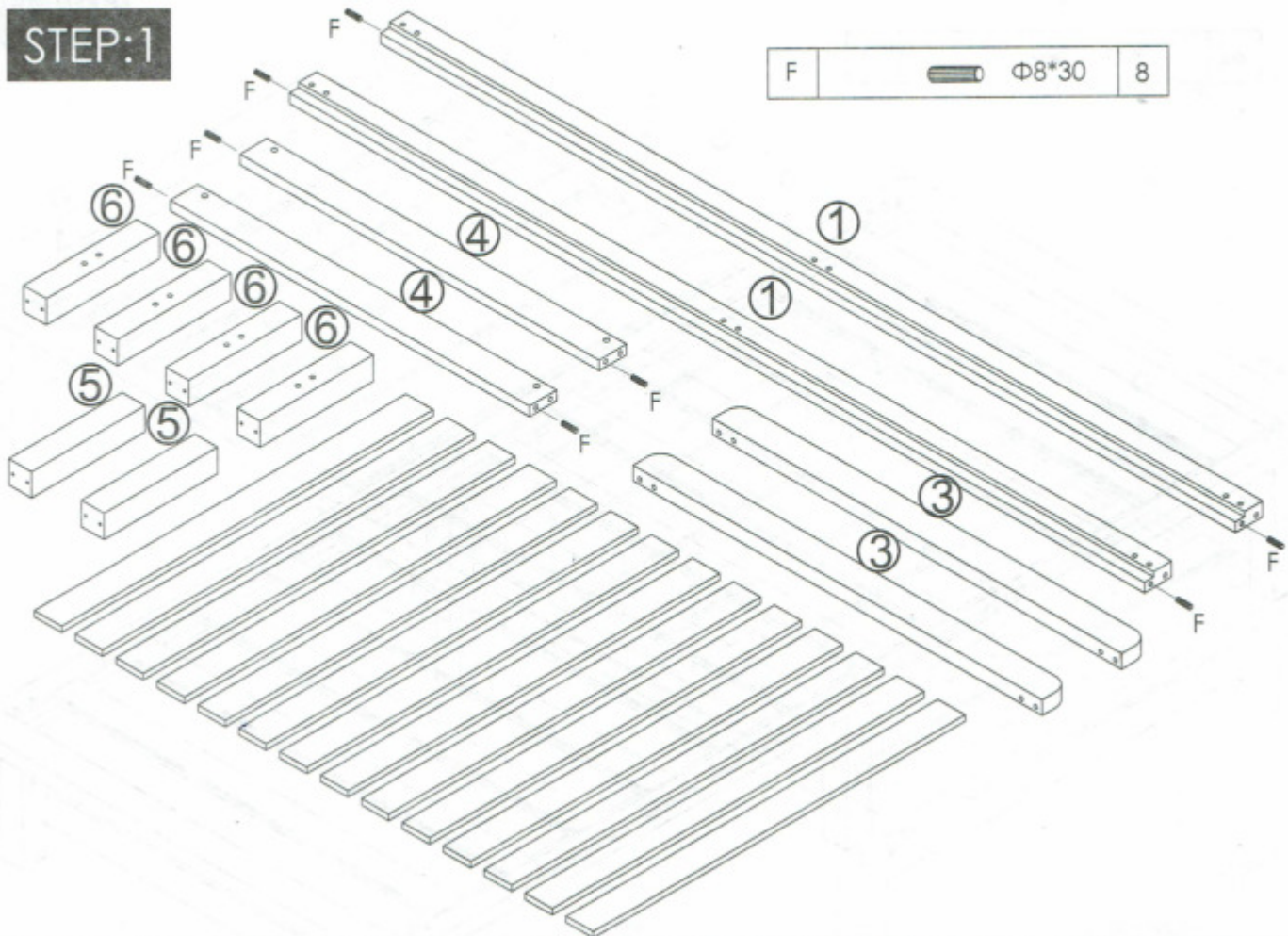
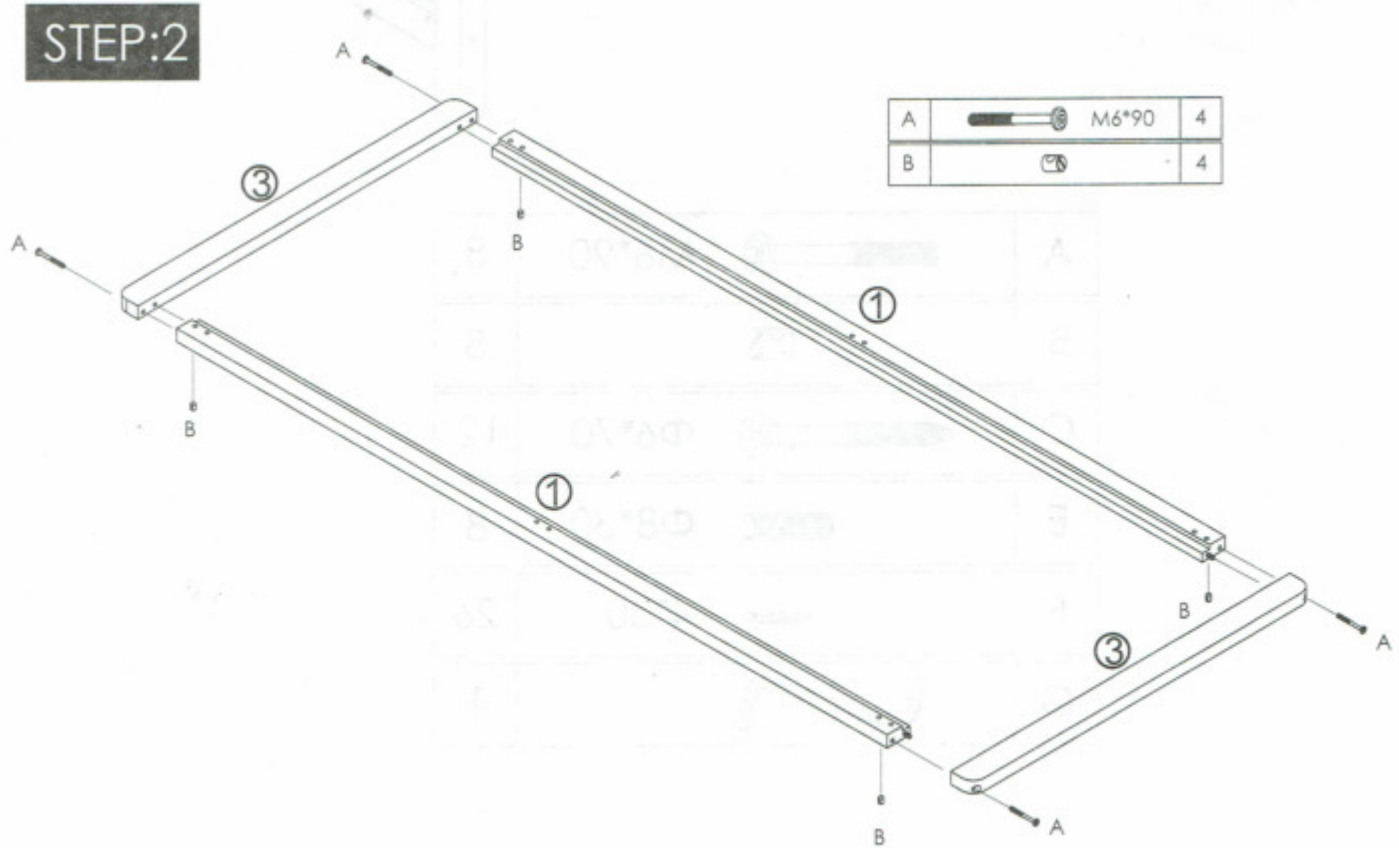


A		M6*90	8
B			8
C		Φ6*70	12
E		Φ8*30	8
F		4*30	26
G			1

STEP:1





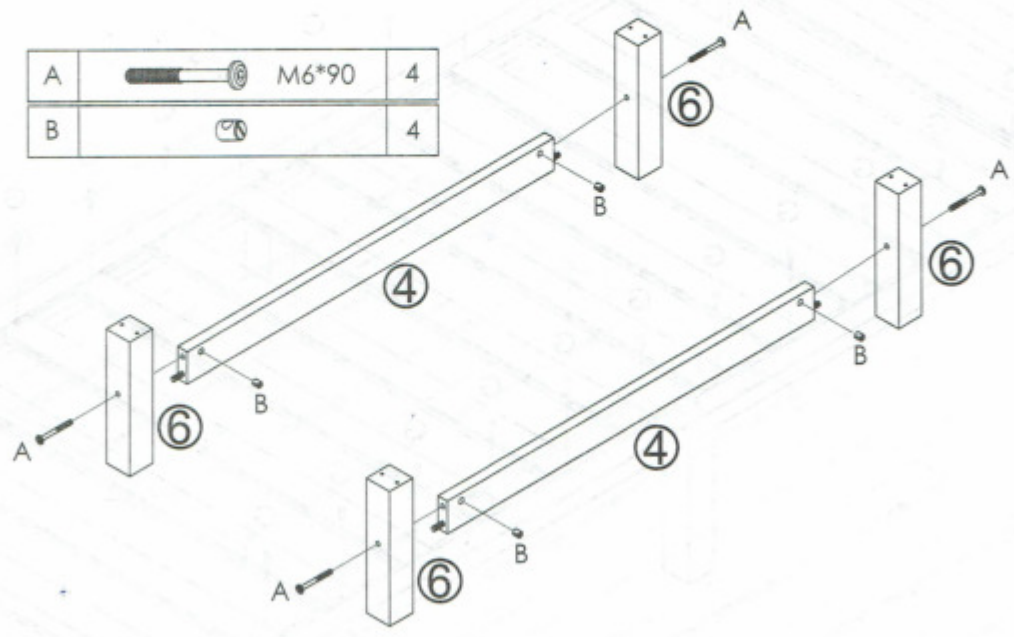
STEP:2






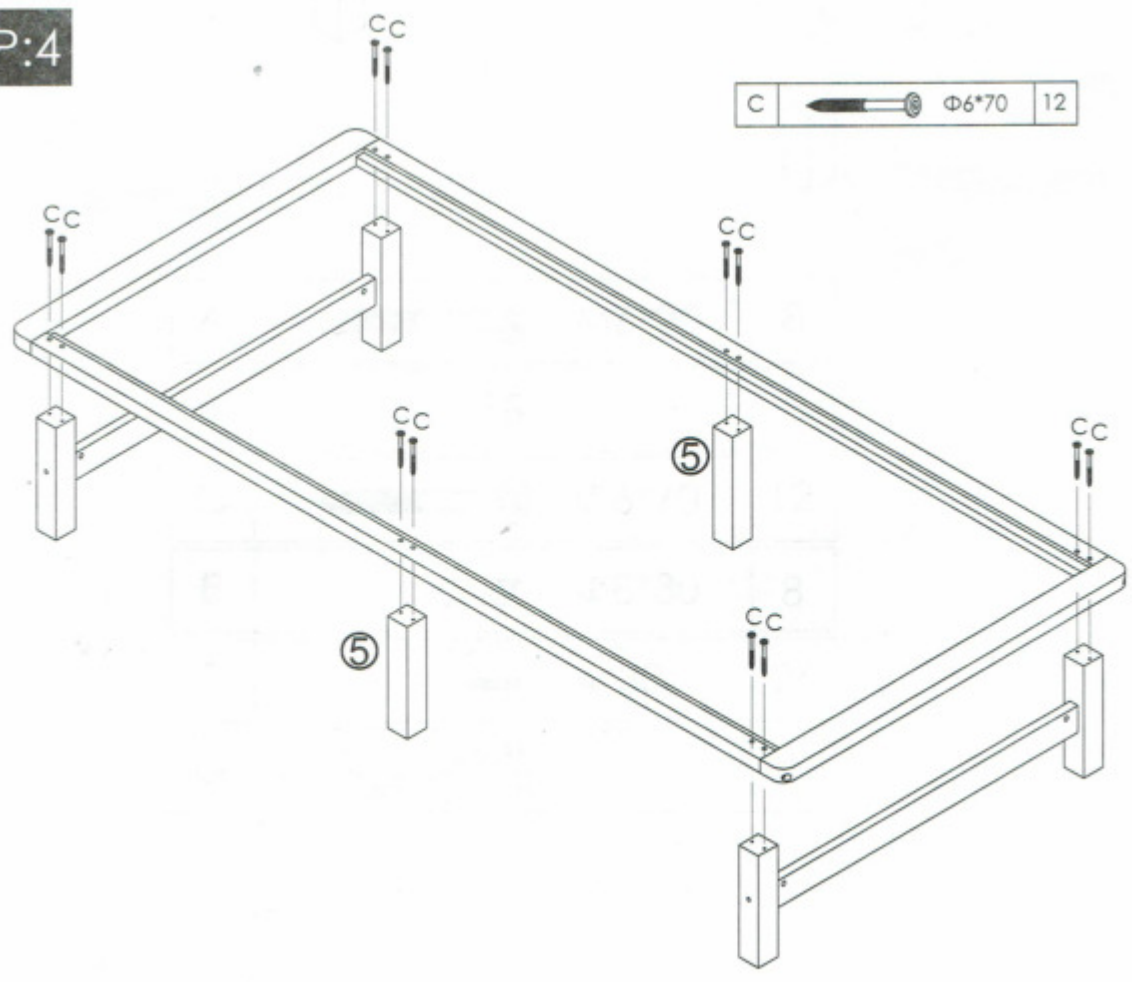
STEP:3

A		M6*90	4
B			4



STEP:4

C		Φ6*70	12
---	---	-------	----



STEP:5

