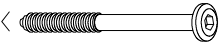




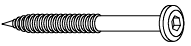

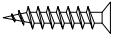
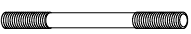
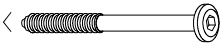
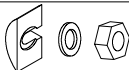

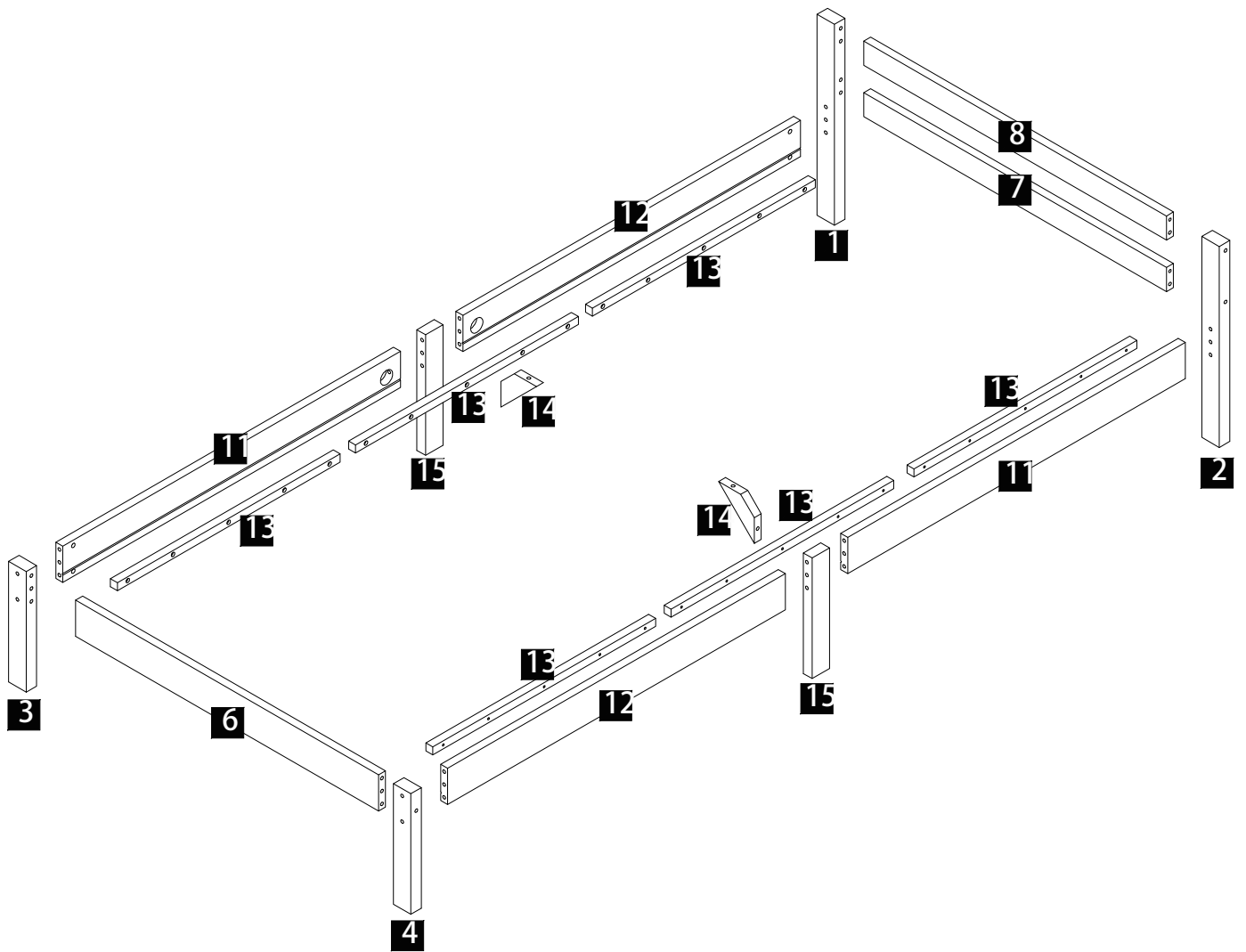
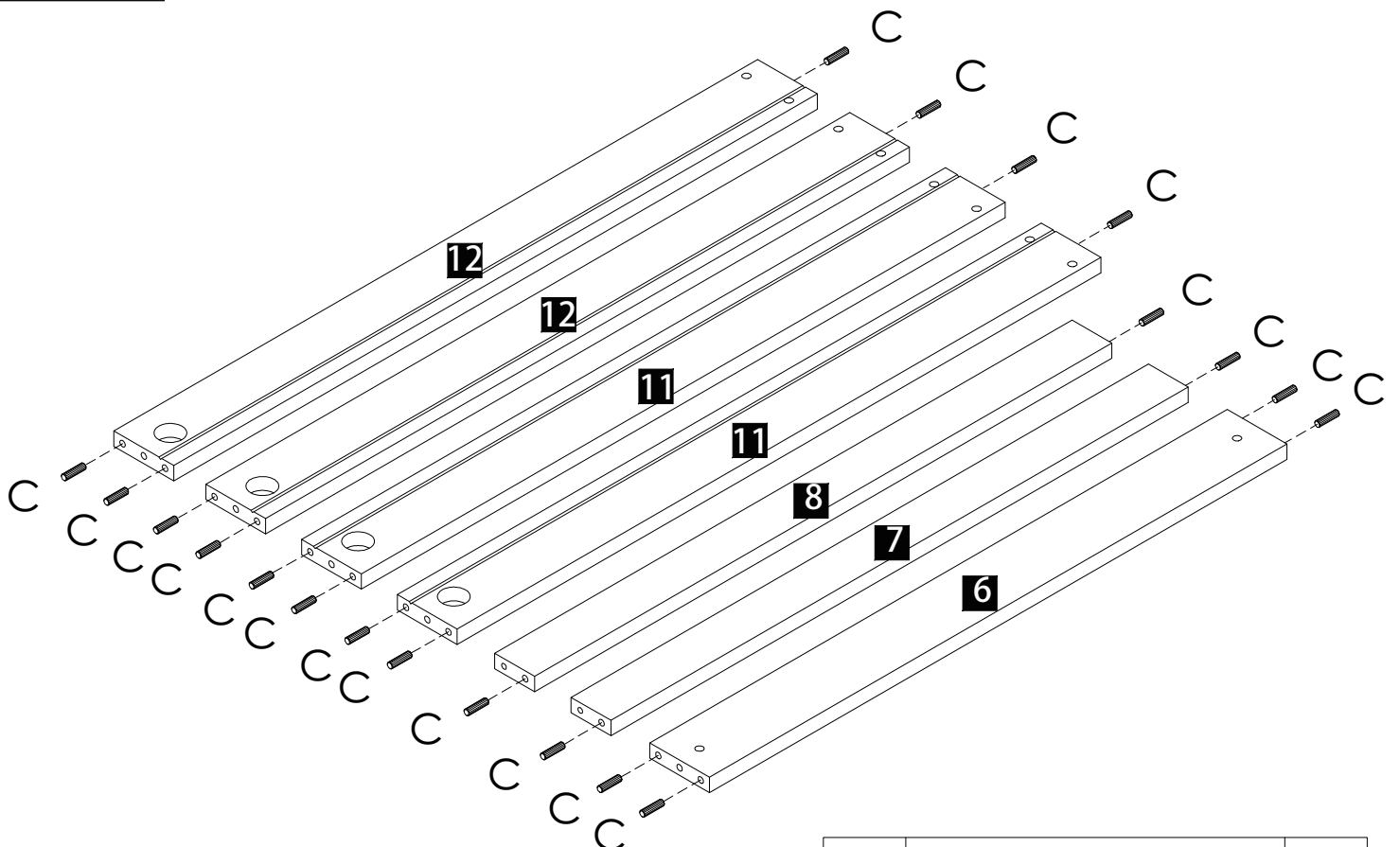




A		M6*70	8
B			10
C			20
D		4 mm	1
E		 90	4

F		4*30	60
G		M6*140	2
H		M6*90	2
J		M6	4
K		8 mm	2

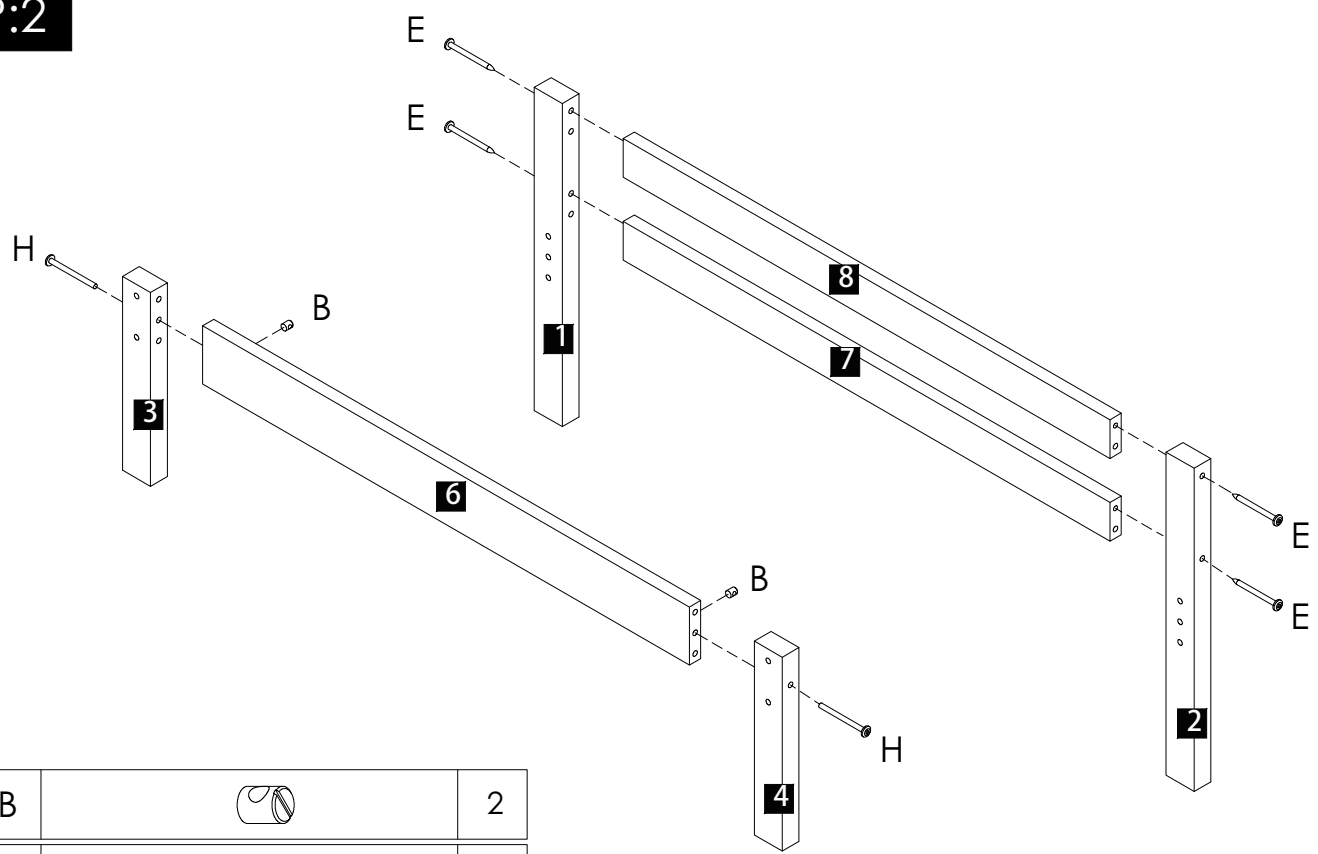


**STEP:1**



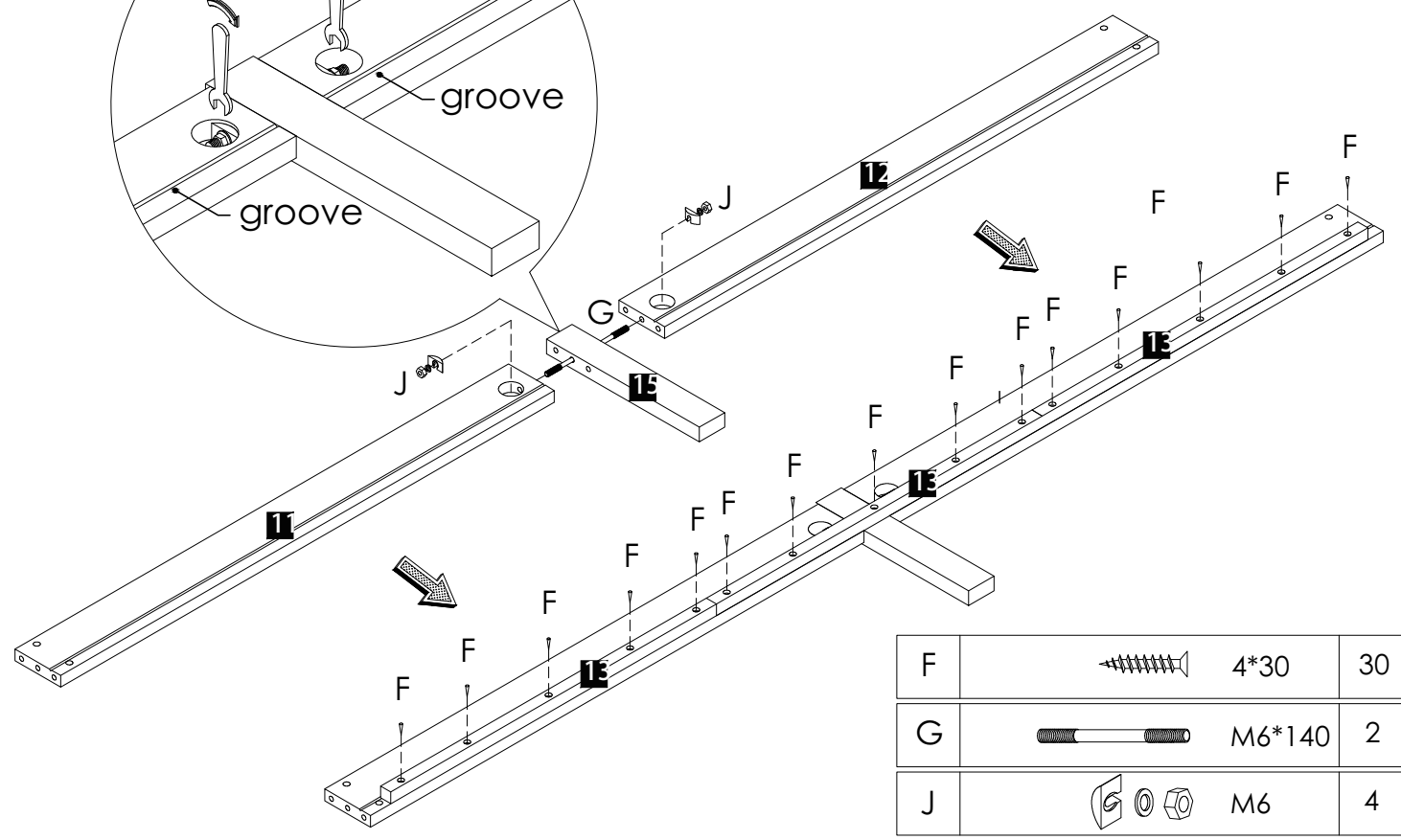
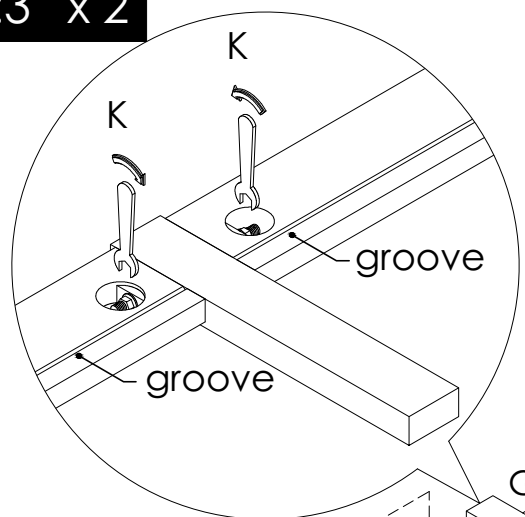
C			20
---	---	---	----

# STEP:2



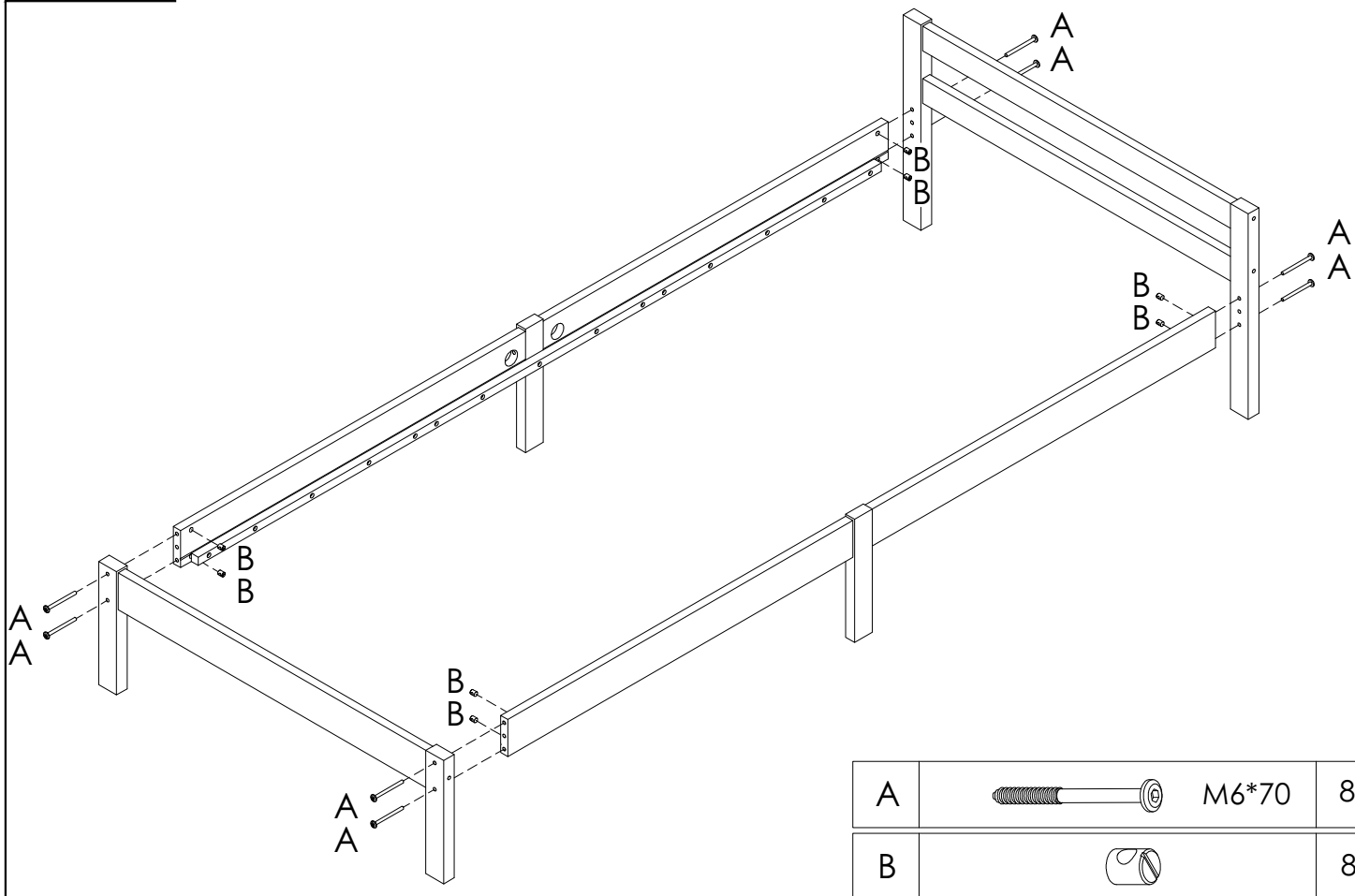
B			2
H		M6*90	2
E		Ø 90	4

# STEP:3 x2



F		4*30	30
G		M6*140	2
J		M6	4

# STEP:4



# STEP:5

