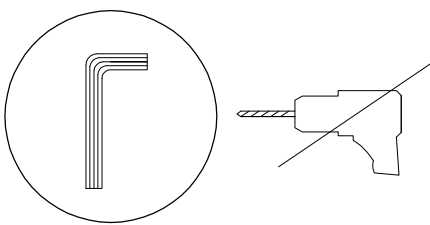

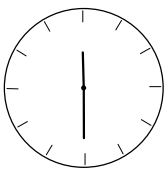
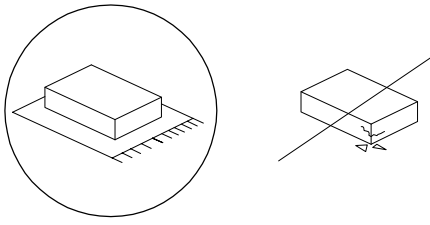


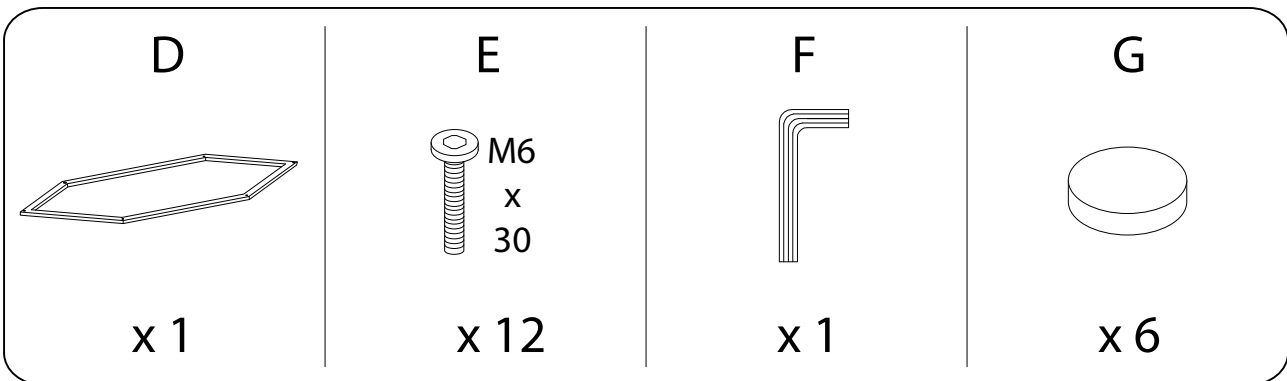
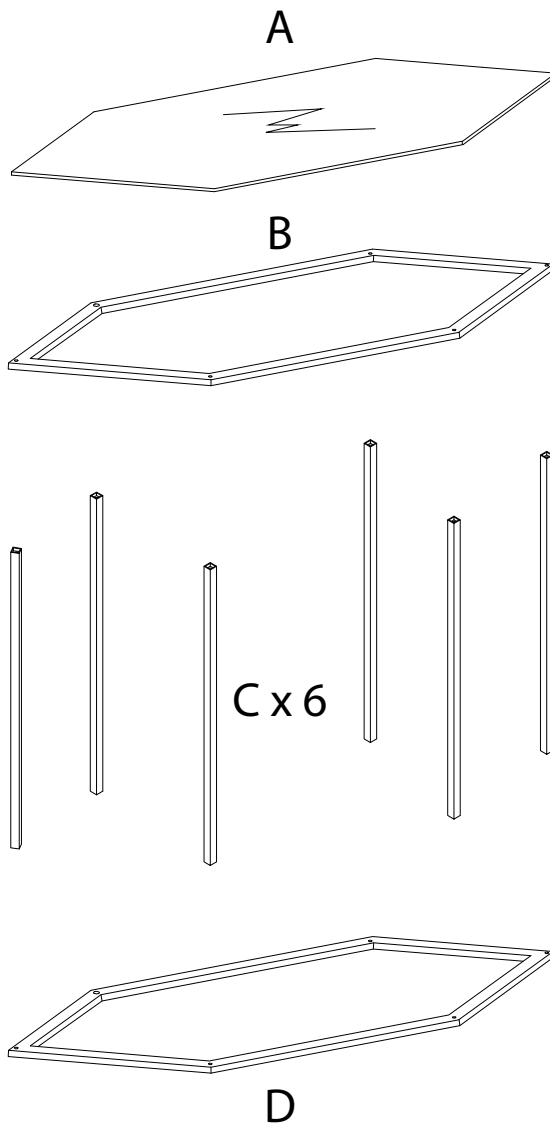
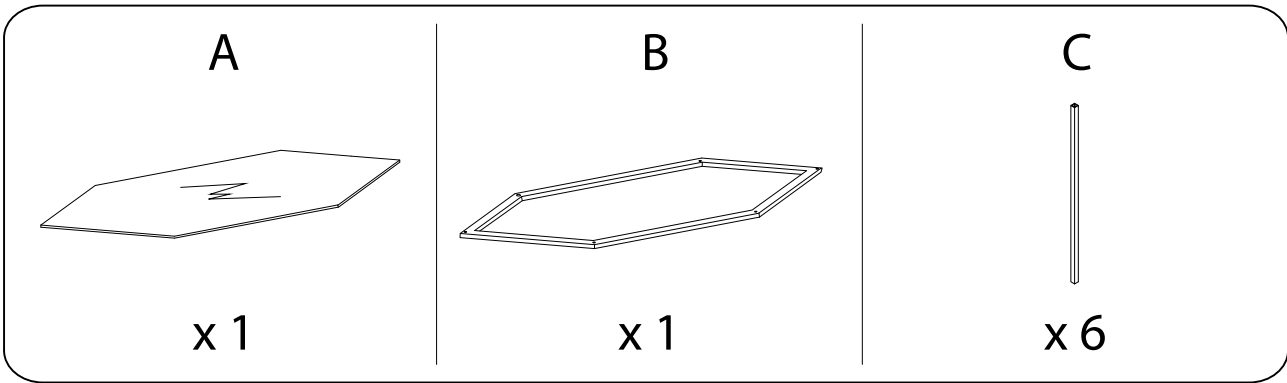


| | | |
|---|---|---|
|  |  |  |
|  |  |  |

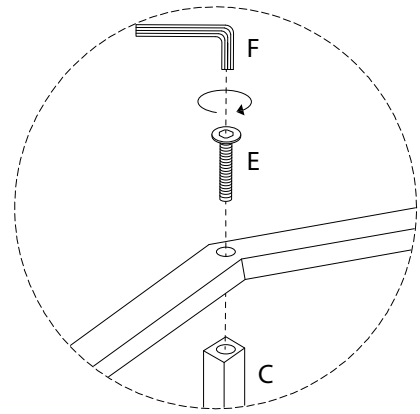
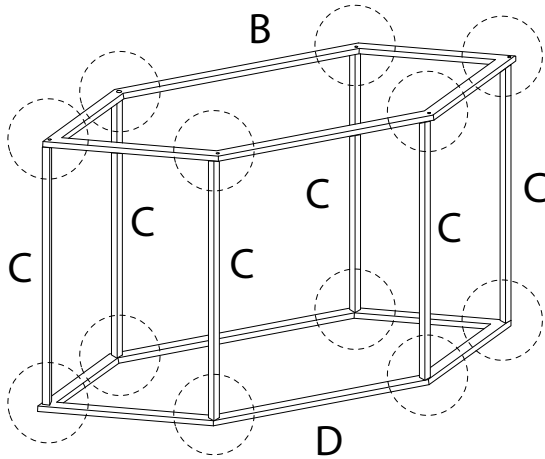
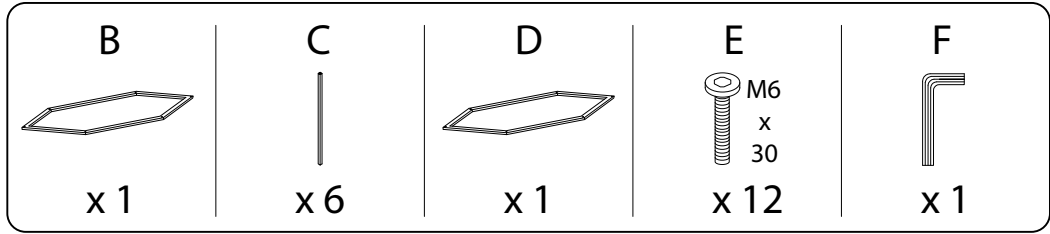
30'

2

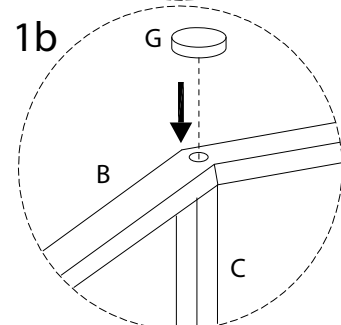
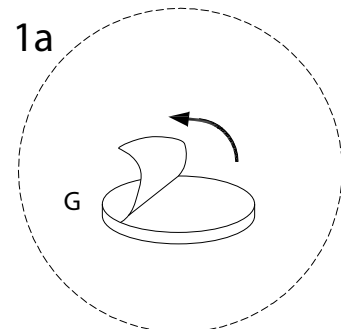
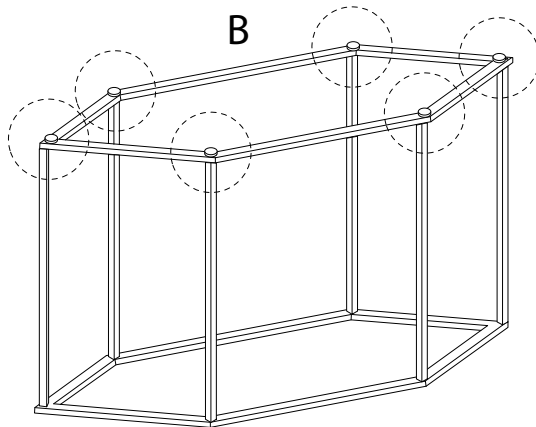
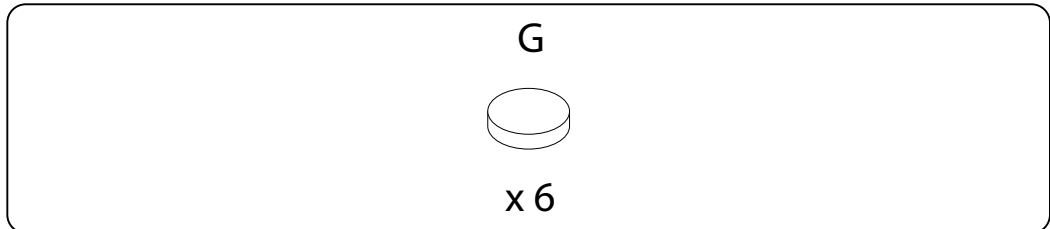
1/4



1



2



3

