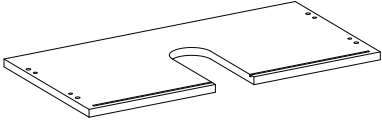


60590 75530



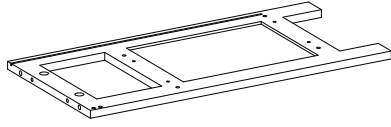
A

× 1



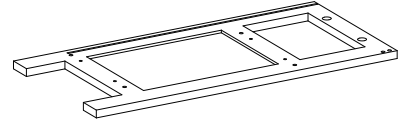
B

× 1



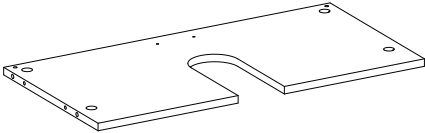
C

× 1



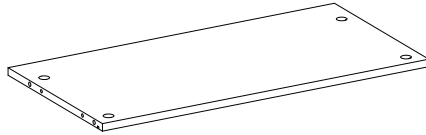
D

× 1



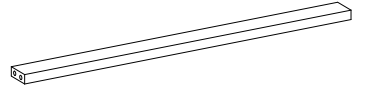
E

× 1



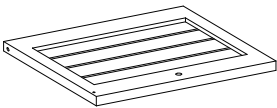
F

× 1



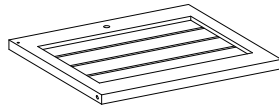
G

× 1



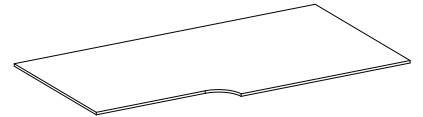
H

× 1



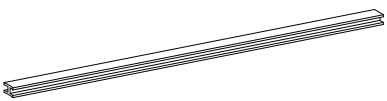
I

× 2



J

× 1



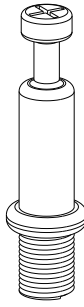
L

16+1



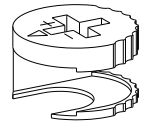
M

× 12



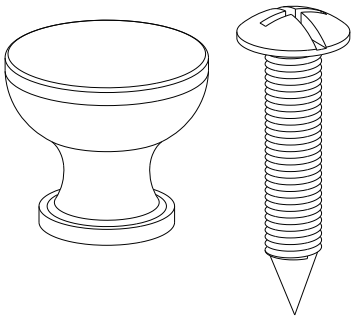
N

12+1



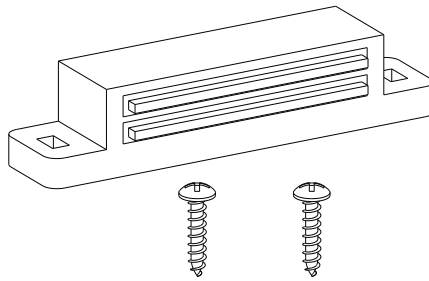
O

× 2



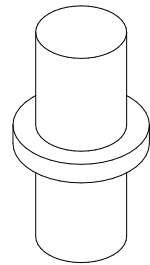
P

× 1



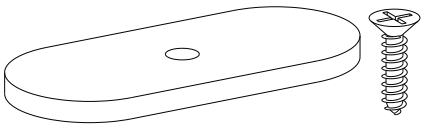
Q

× 2



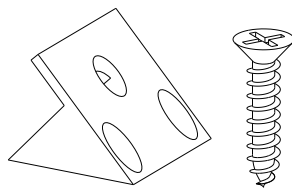
R

× 2



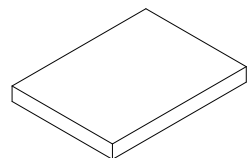
S

6+1



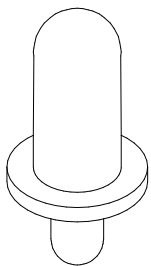
T

× 4

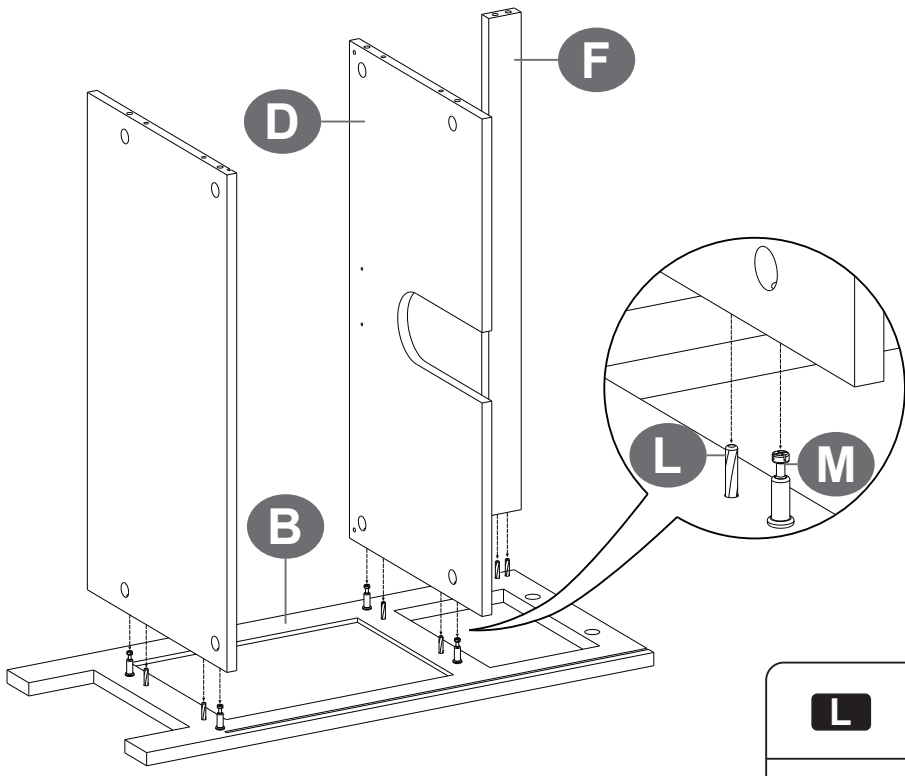


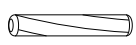
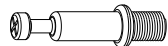
U

× 2

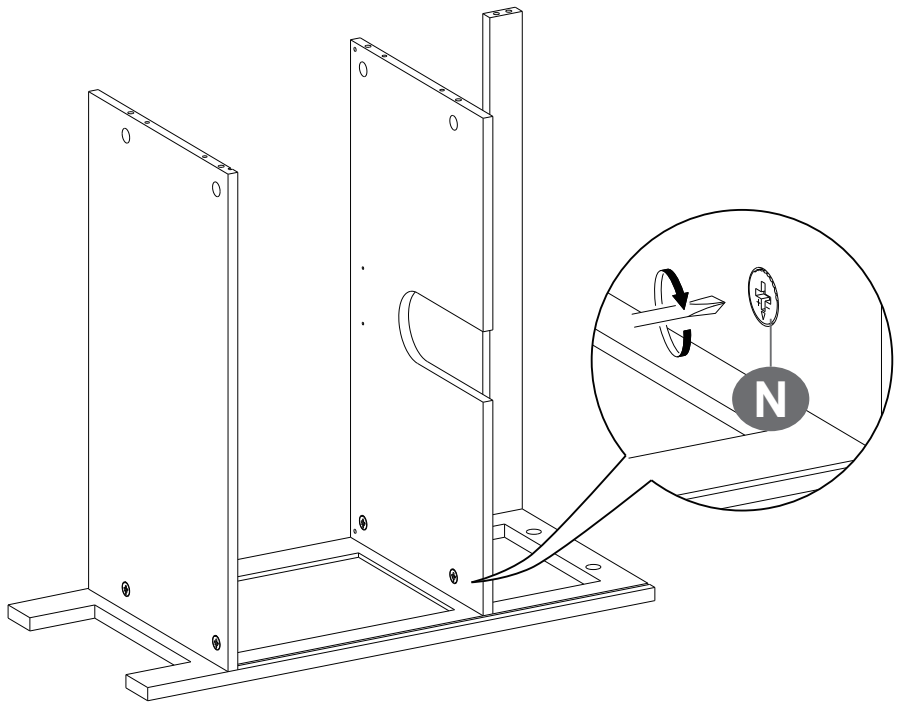


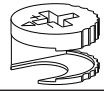
1



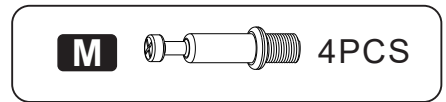
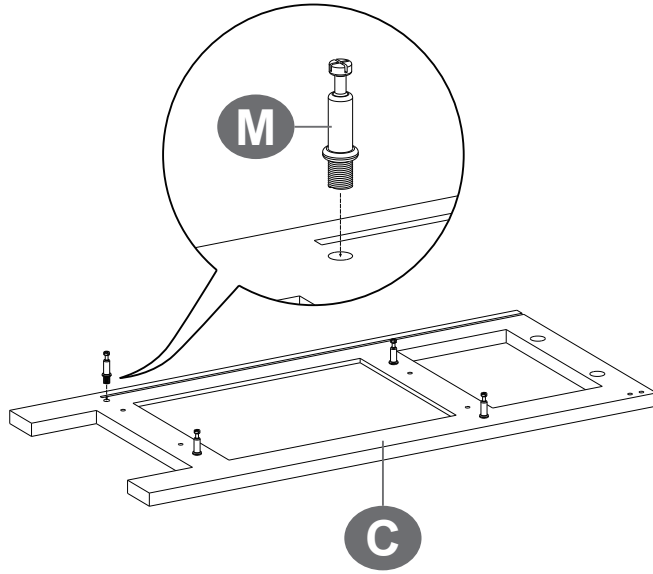
- | | | |
|----------|---|------|
| L |  | 6PCS |
| M |  | 4PCS |

2

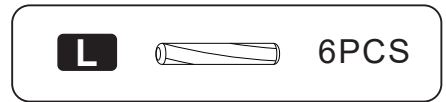
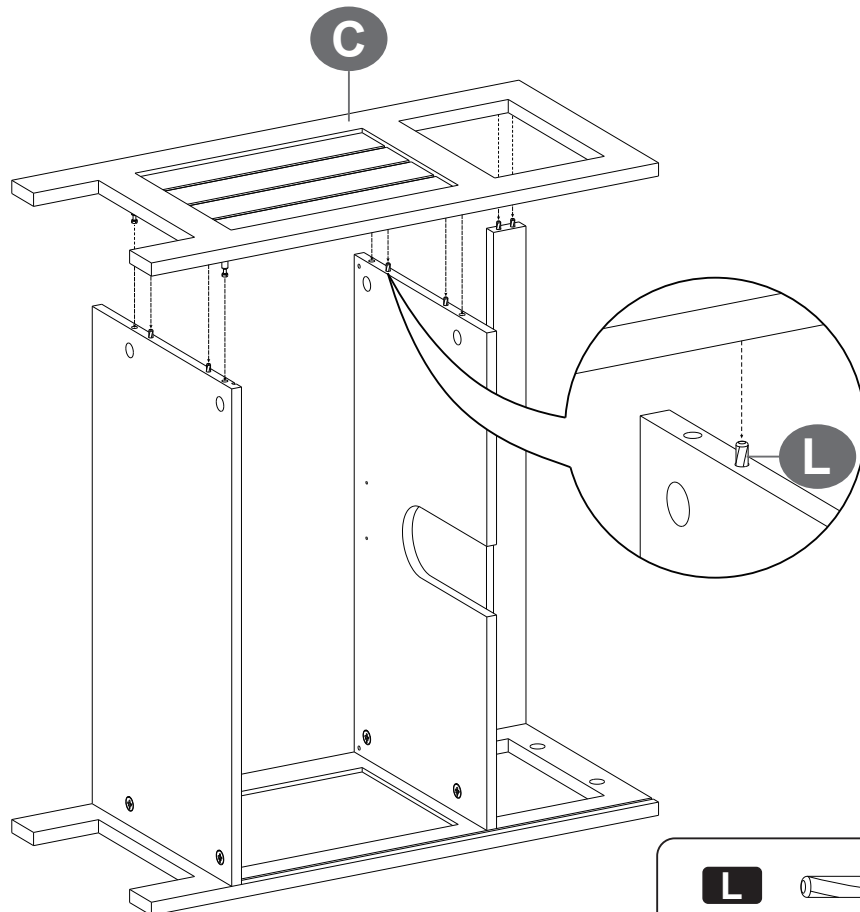


- | | | |
|----------|---|------|
| N |  | 4PCS |
|----------|---|------|

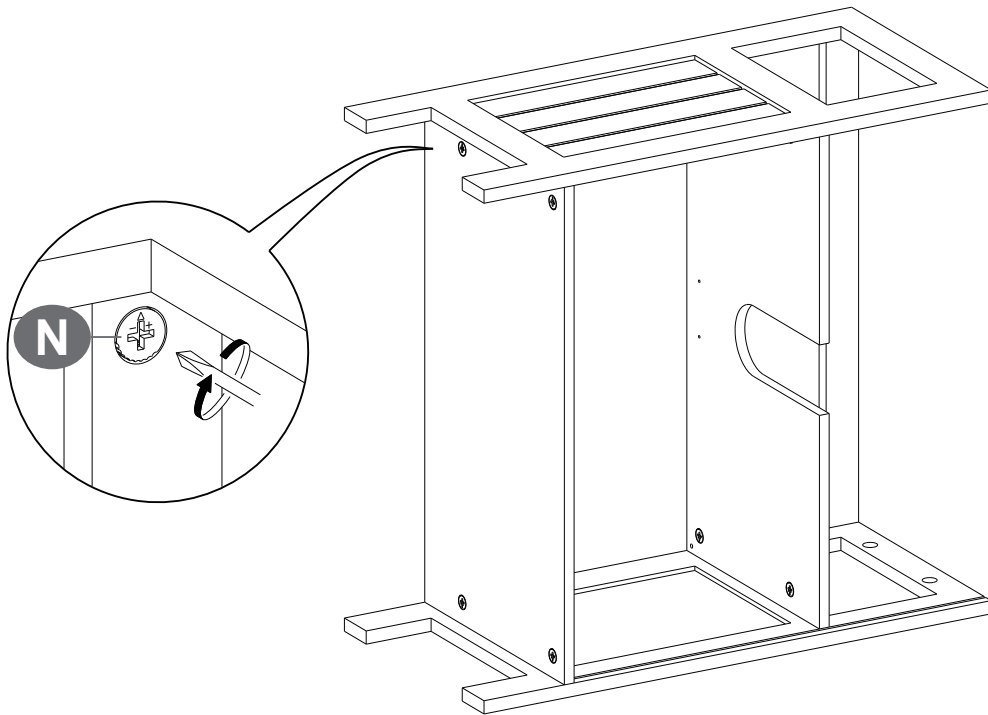
3

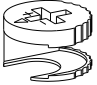


4

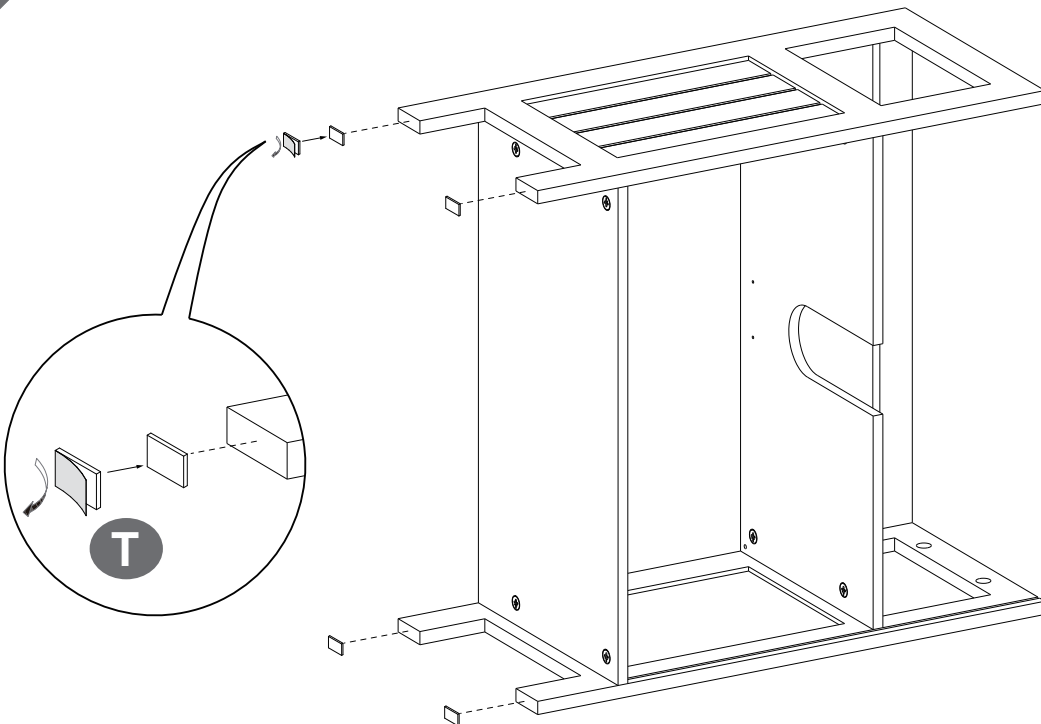


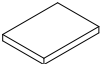
5



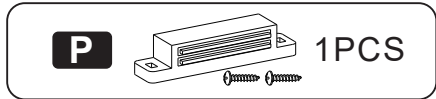
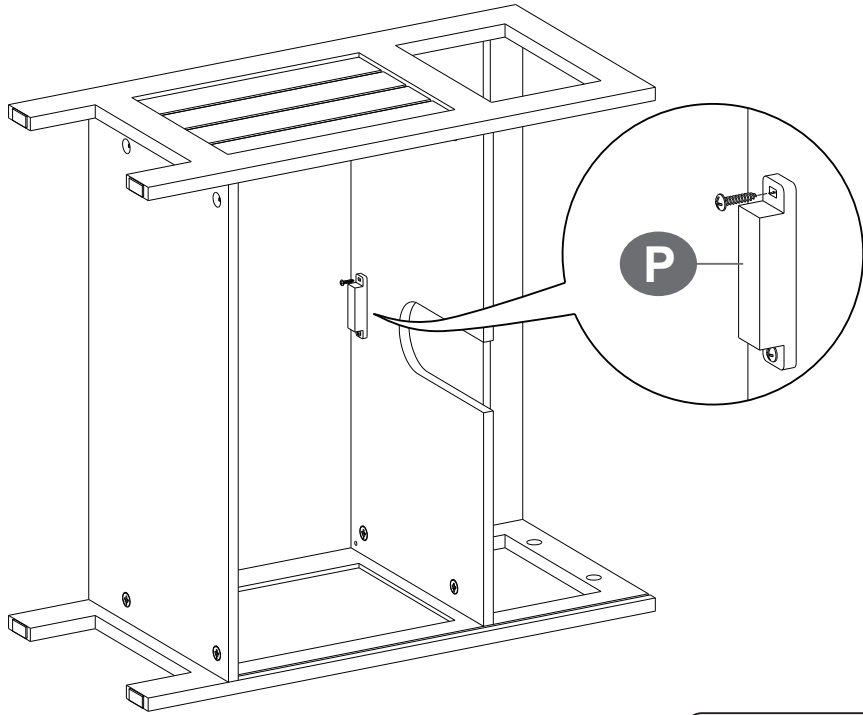
N  4PCS

6

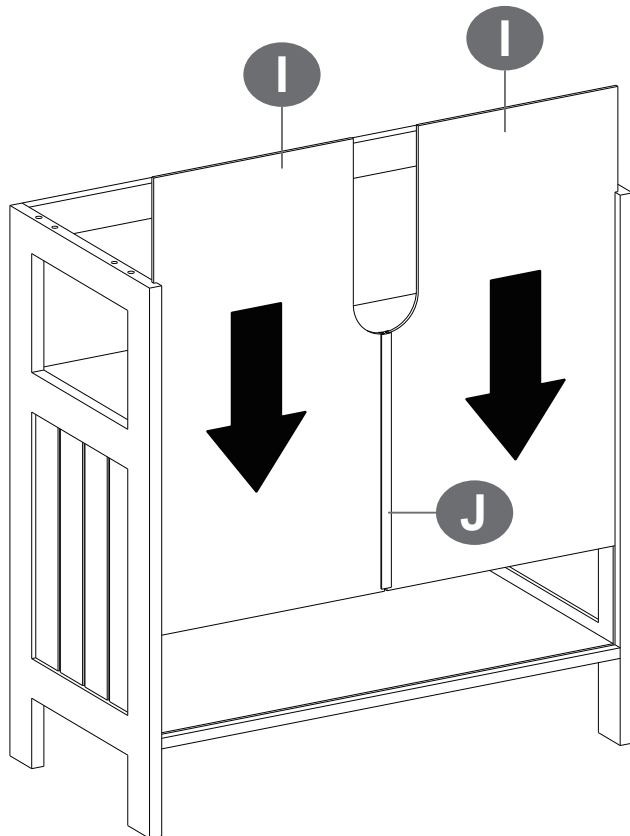


T  4PCS

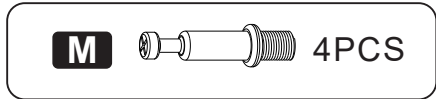
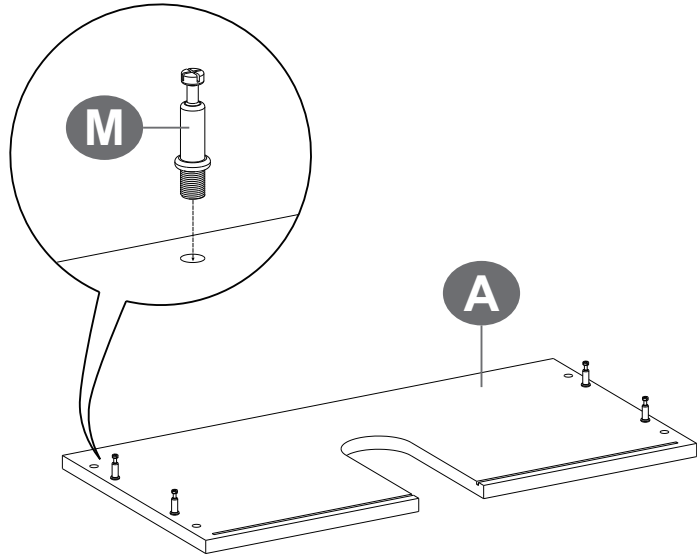
7



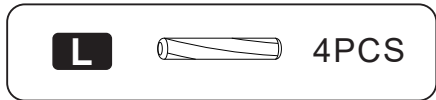
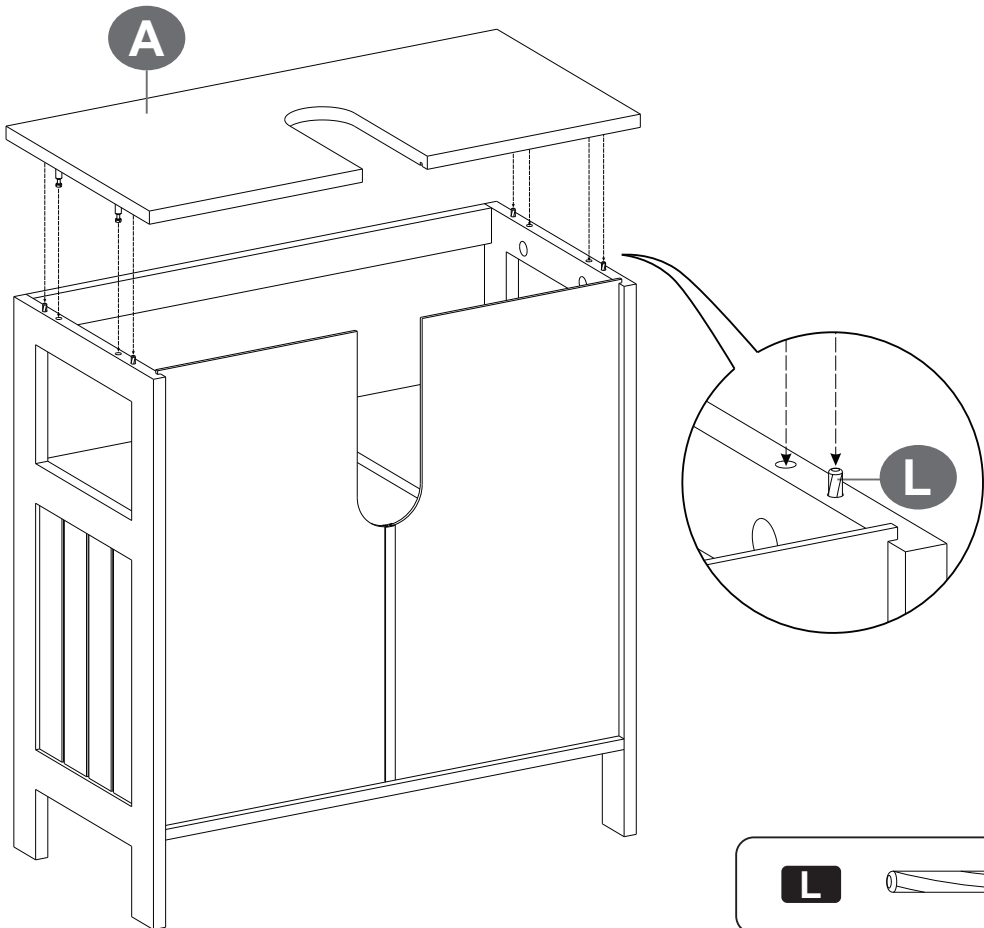
8



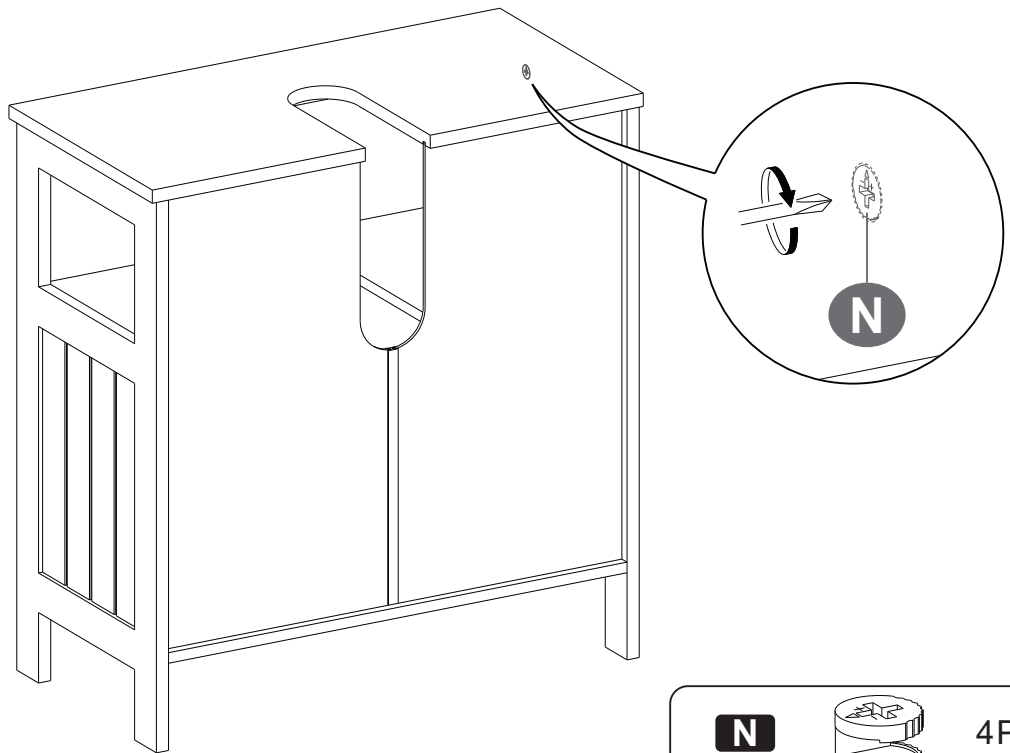
9

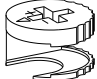


10

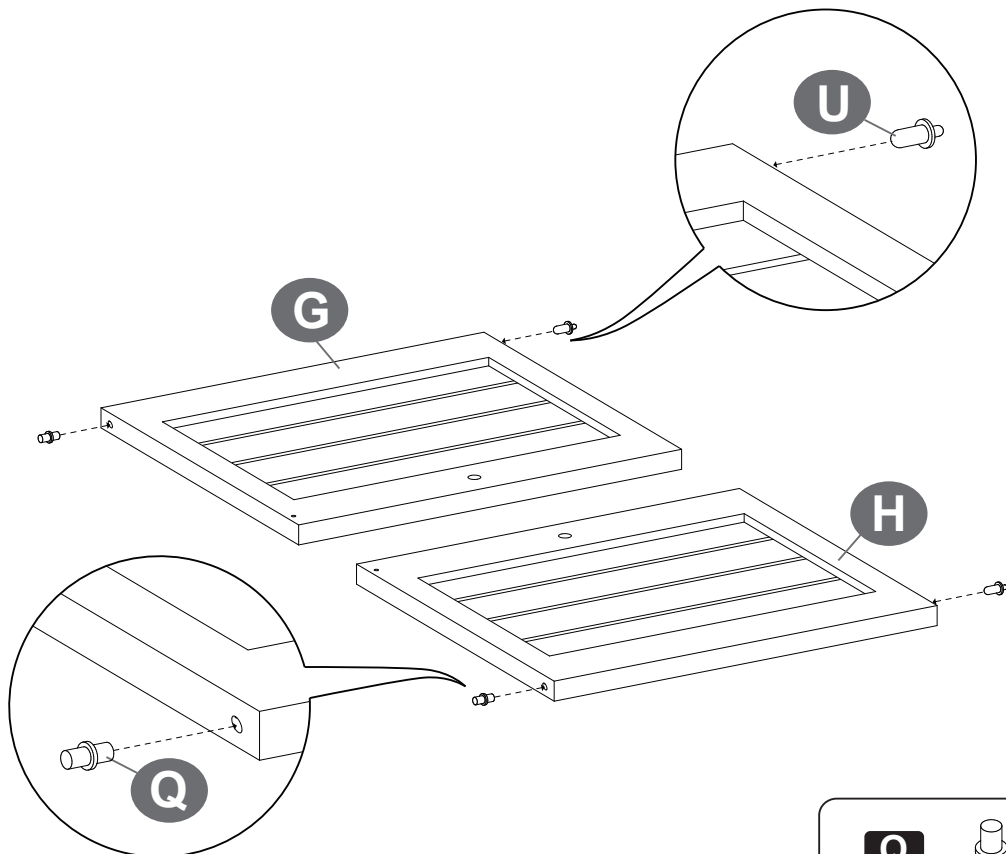


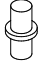

11



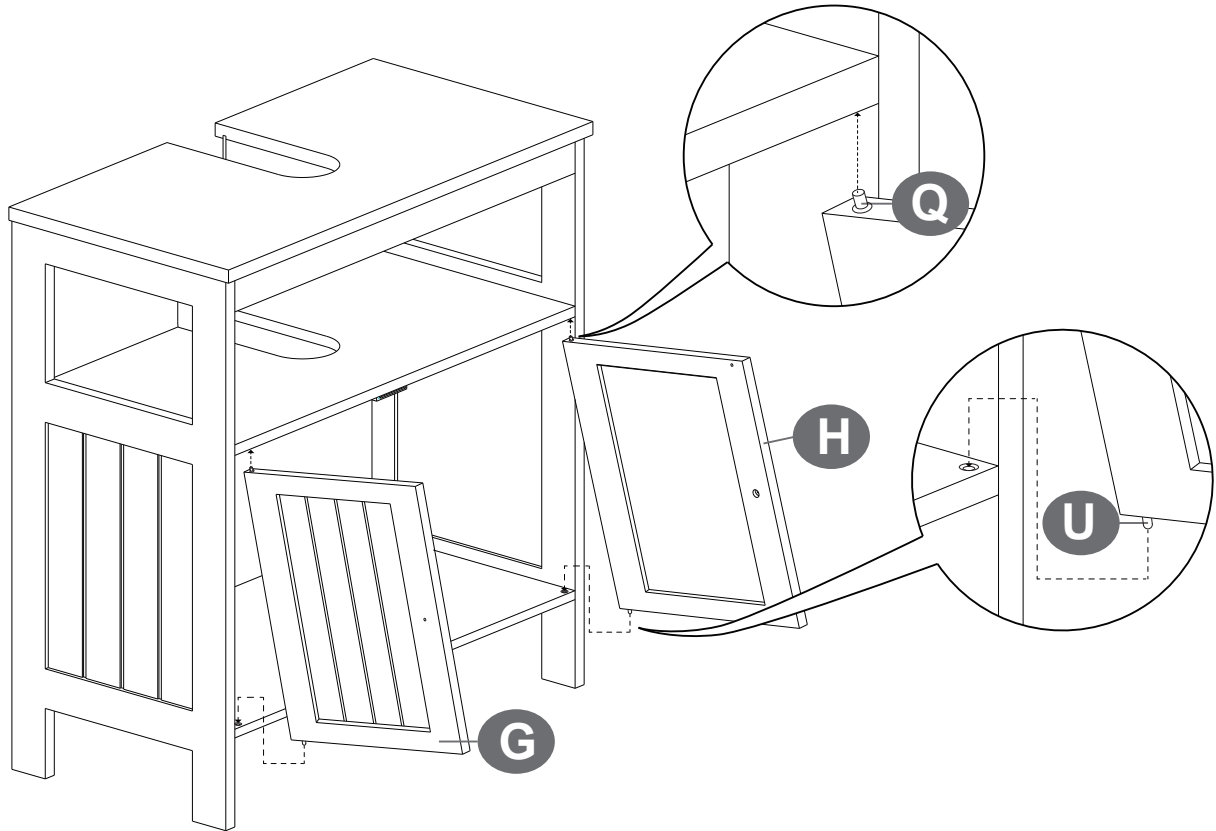
N		4PCS
----------	--	------

12

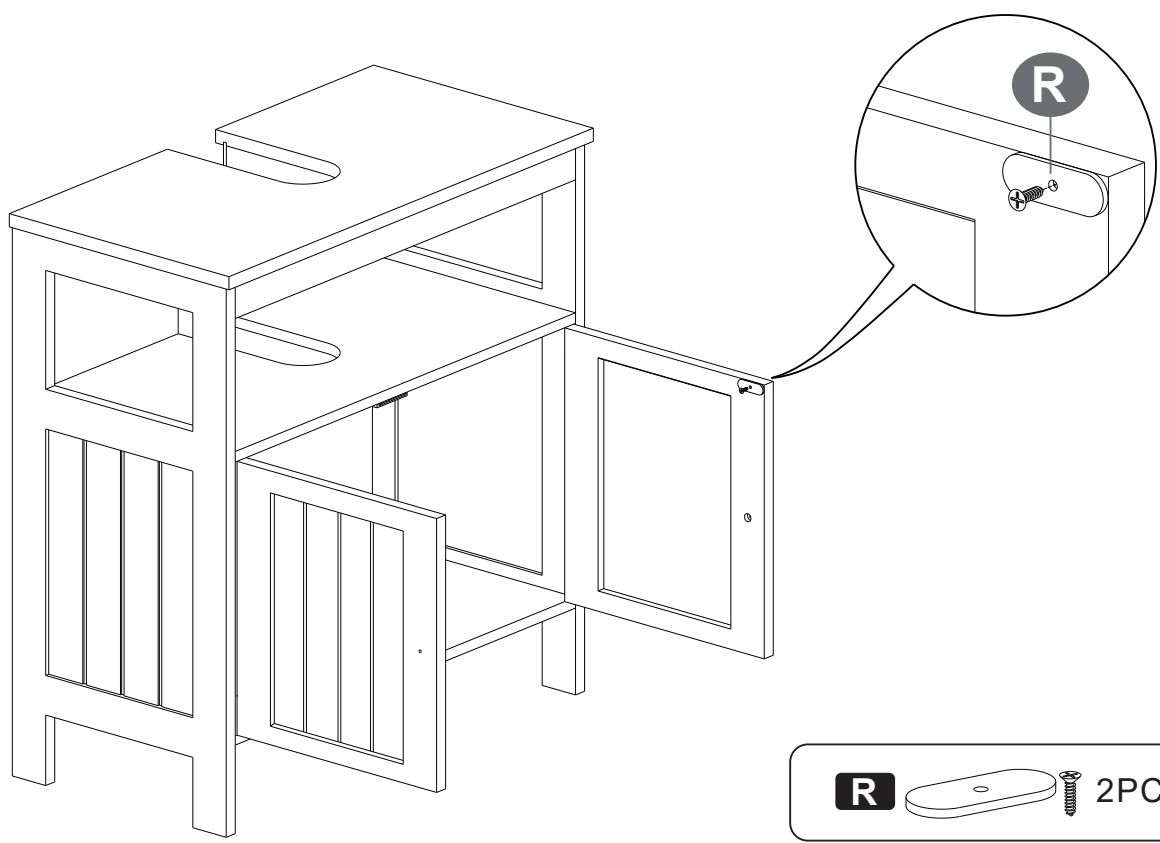


Q		2PCS
U		2PCS

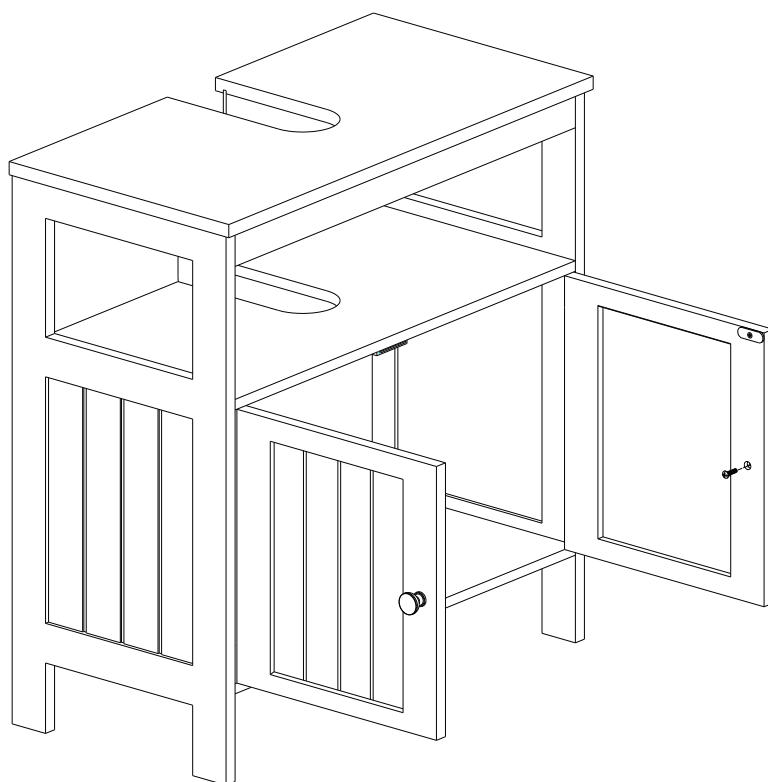
13



14



15



16

