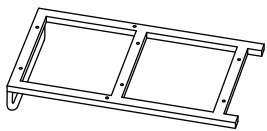
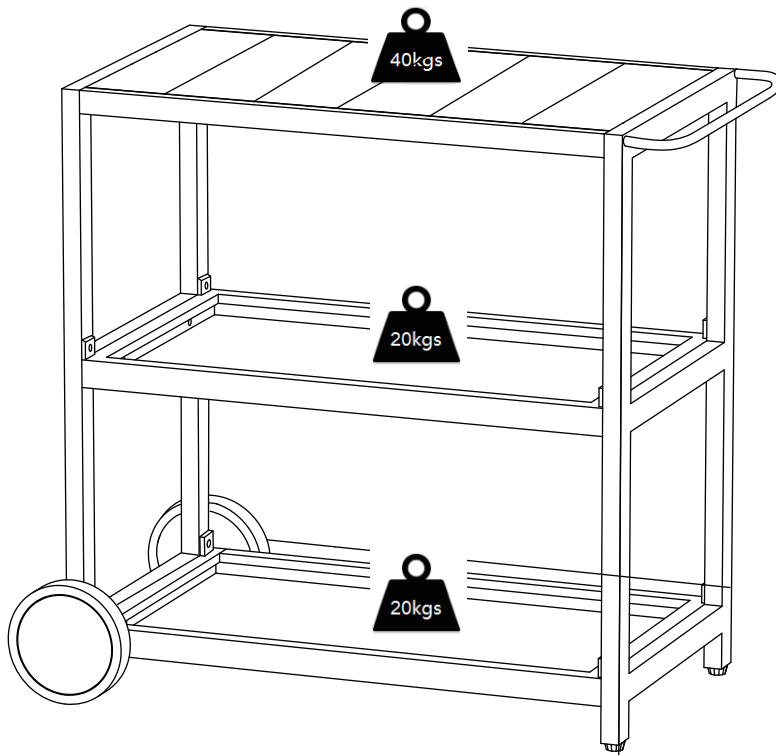
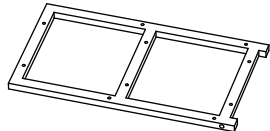


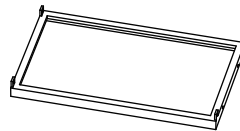
OF03651



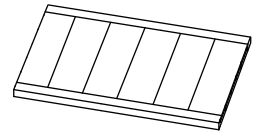
A x 1



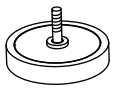
B x 1



C x 2



E x 1

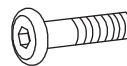


G x 2



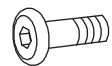
H x 2

M6 x 30mm



I x 4

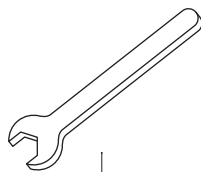
M6 x 15mm



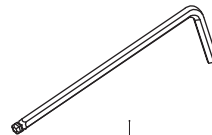
J x 16



K x 20

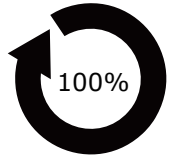
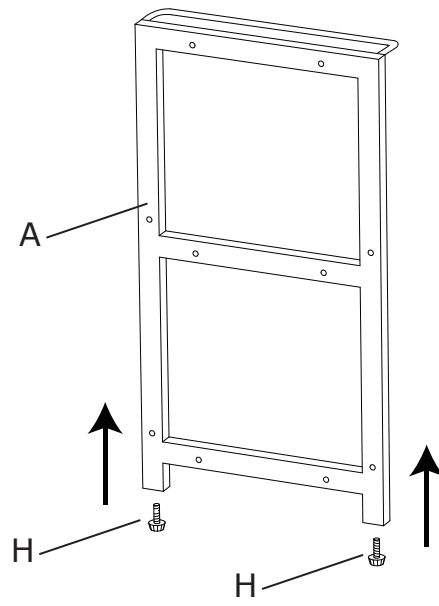


L x 1

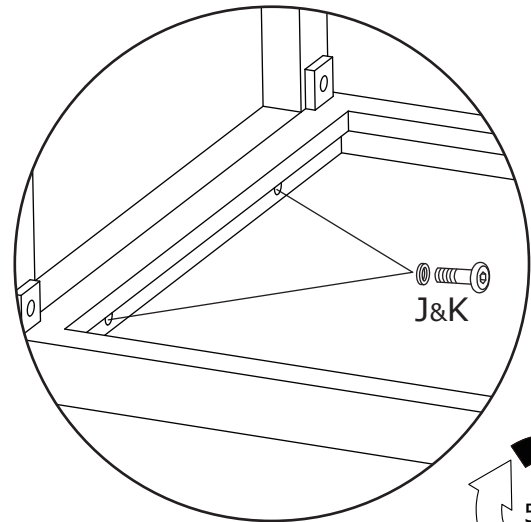
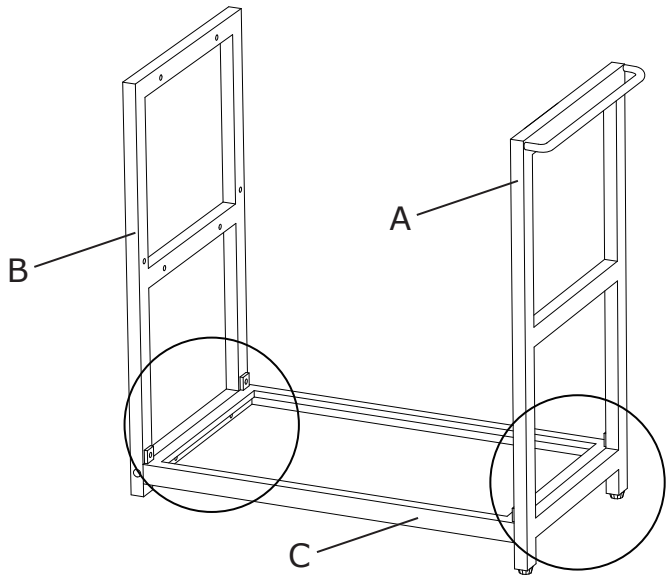


M x 1

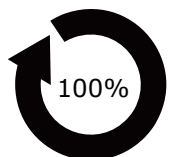
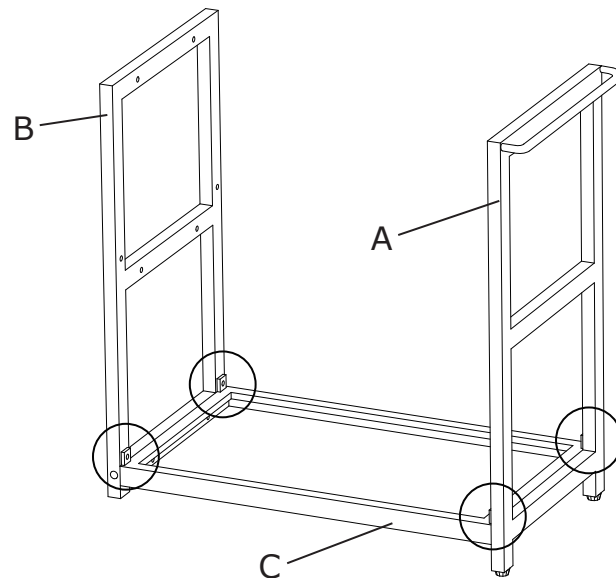
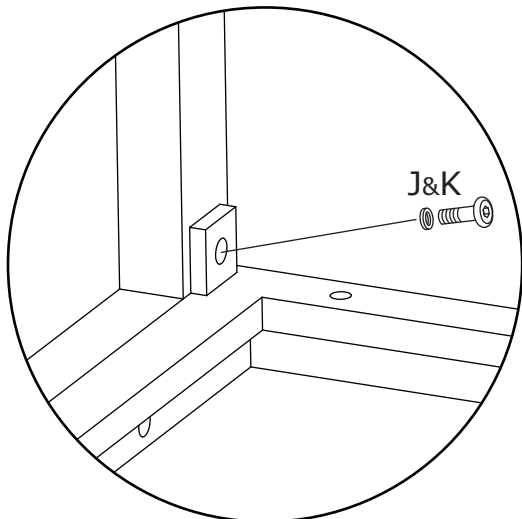
Step 1



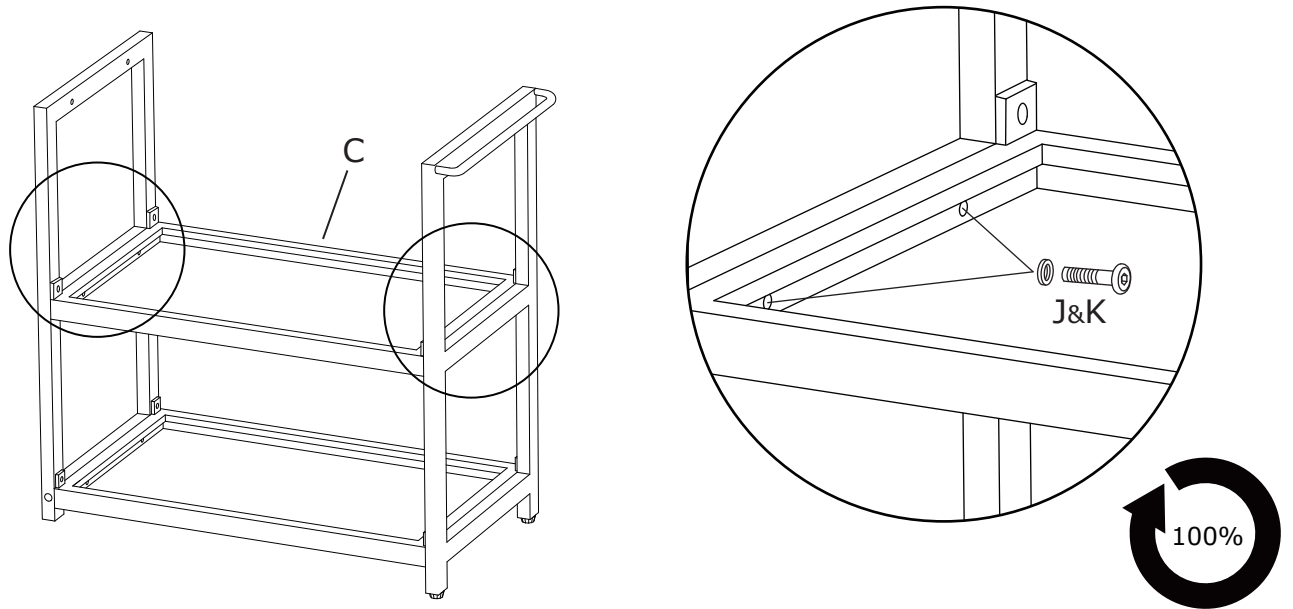
Step 2



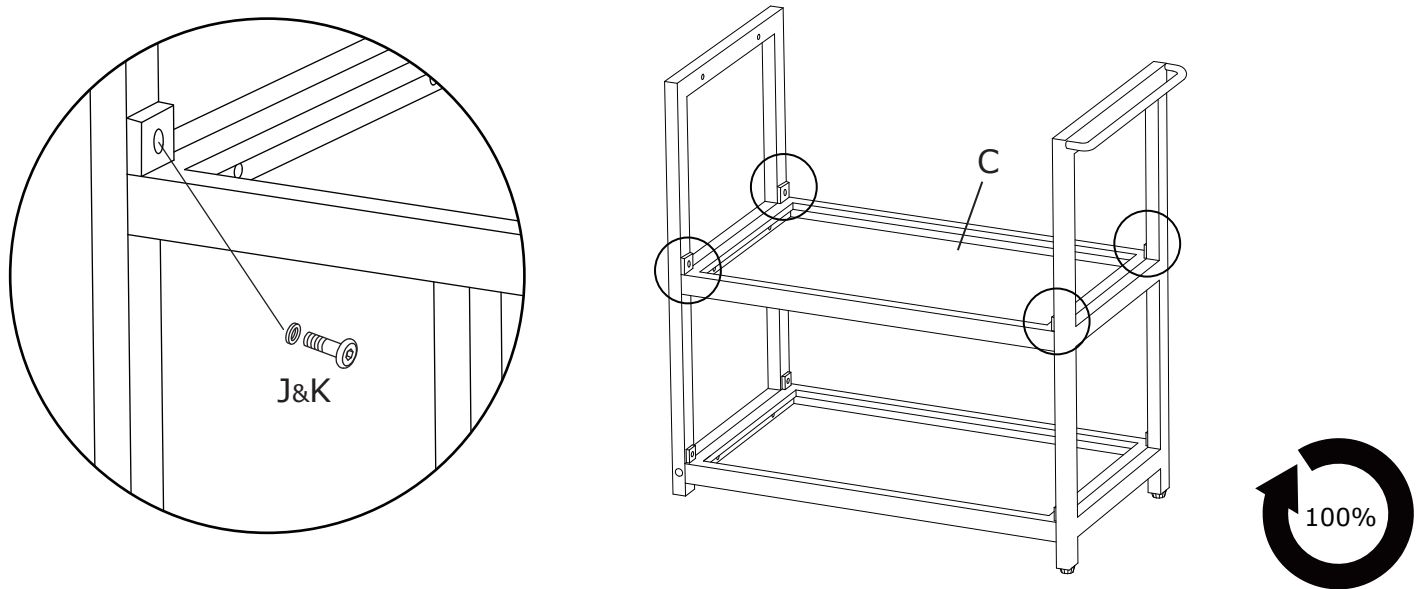
Step 3



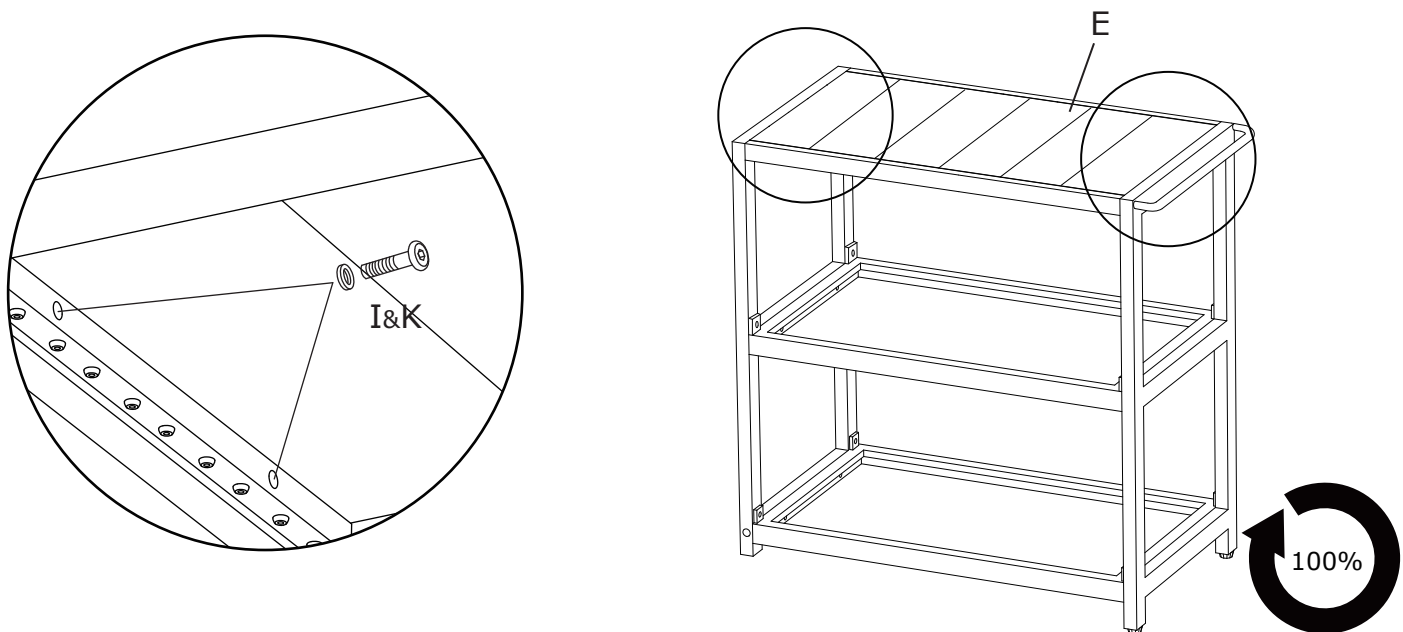
Step 4



Step 5



Step 6



Step 7

