

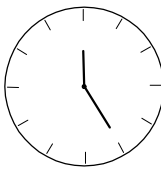
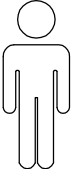


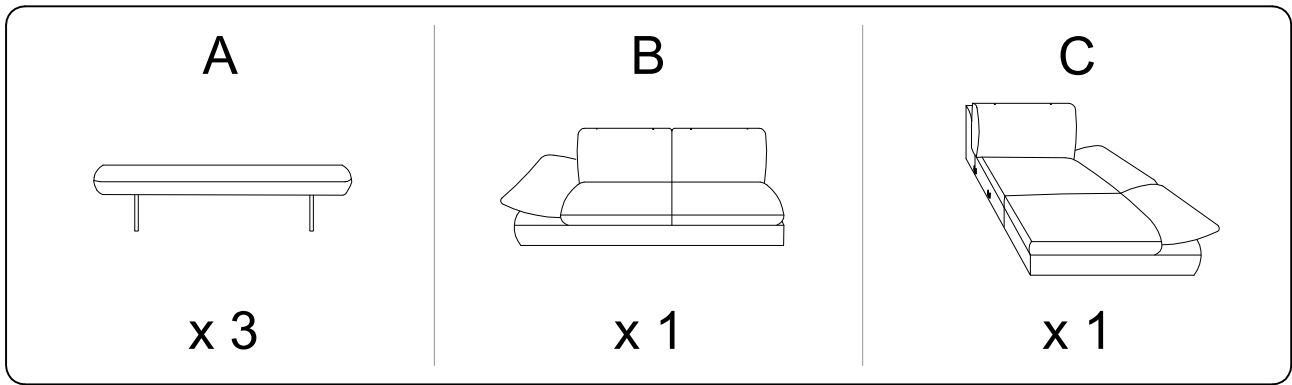
Assembly instructions for the sofa, including warnings, time, and person requirements.

**Warning 1:** Do not use a power drill. Use an Allen key (shown in a circle) to tighten the screws. 

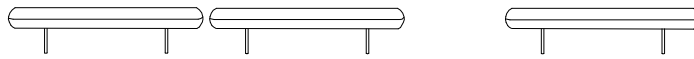
**Warning 2:** Do not place the sofa on a soft surface like a rug. Place it on a hard, flat surface. 

**Time:** 25' 

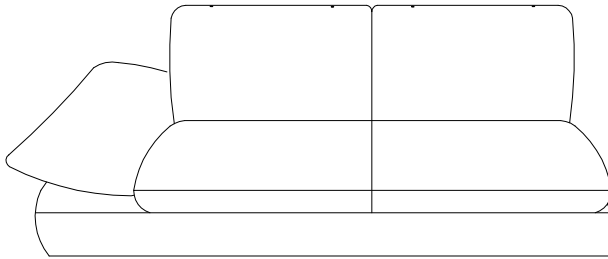
**Personnel:** 2 



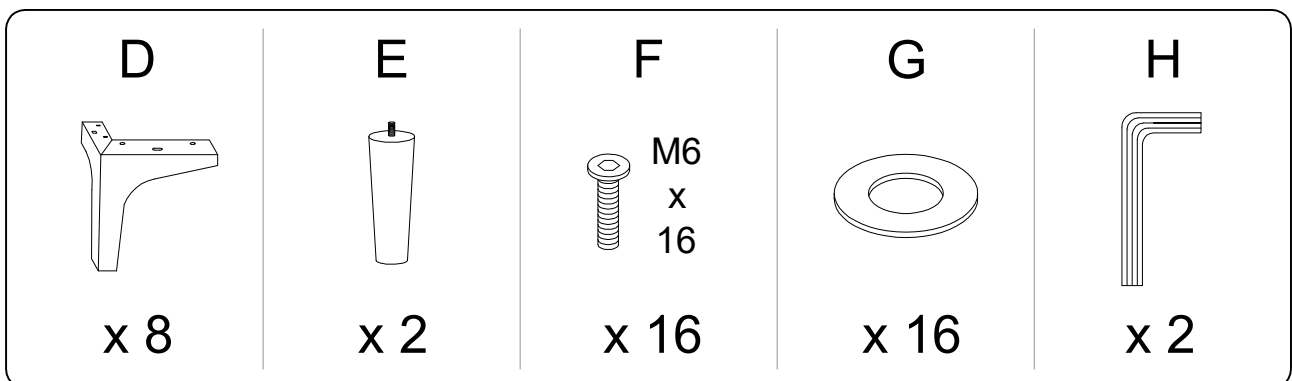
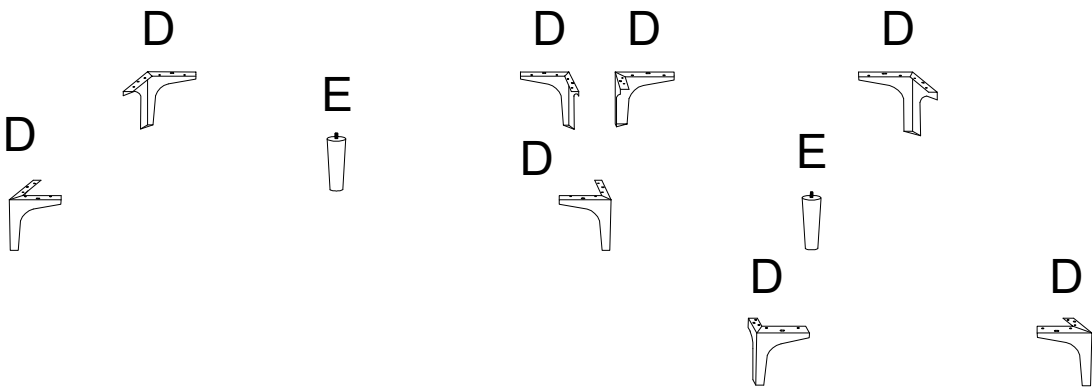
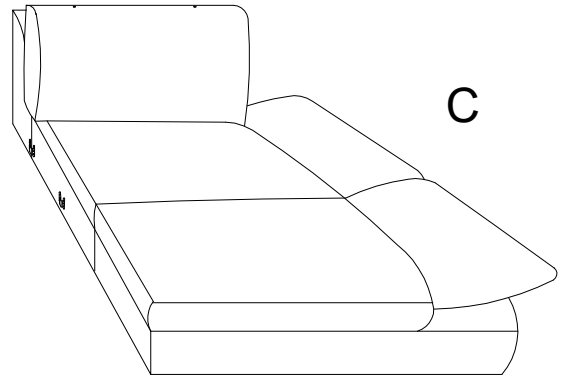
**A x 3**



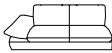



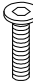
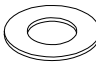
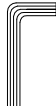
**B**

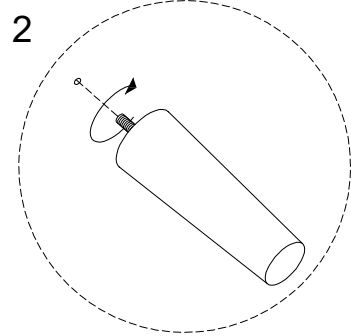
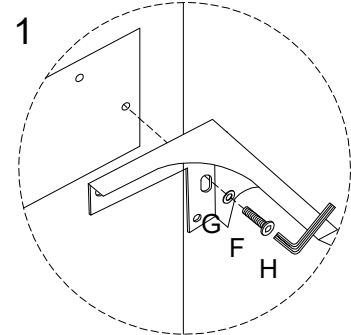
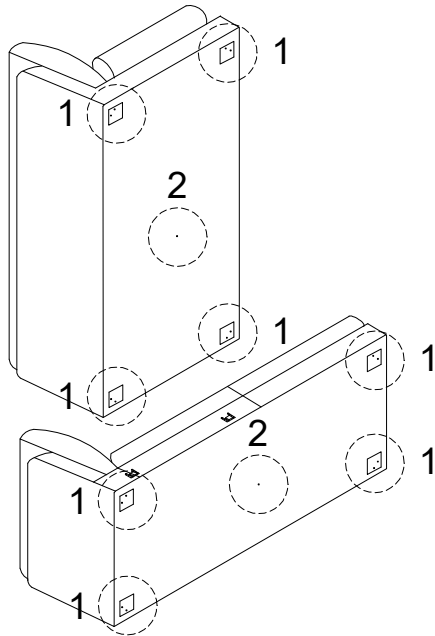


**C**

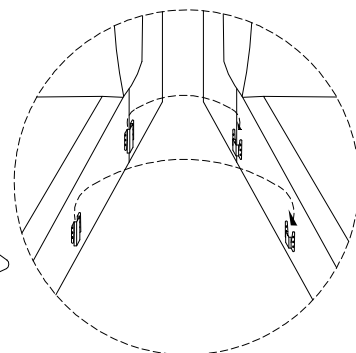
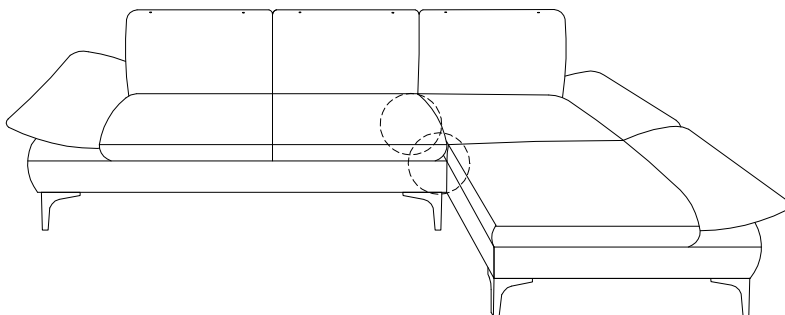


1

B	C	D	E	F	G	H
						
x 1	x 1	x 8	x 2	M6 x 16 x 16	x 16	x 1



2



3

