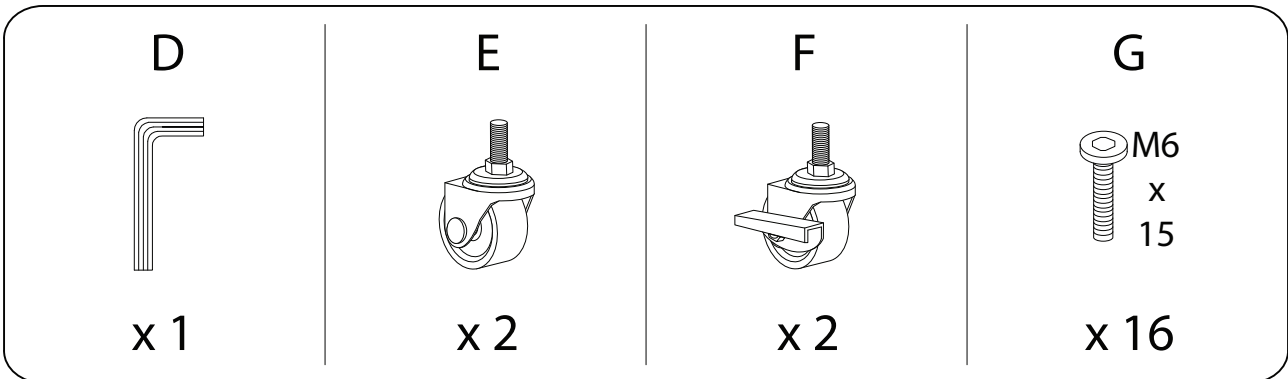
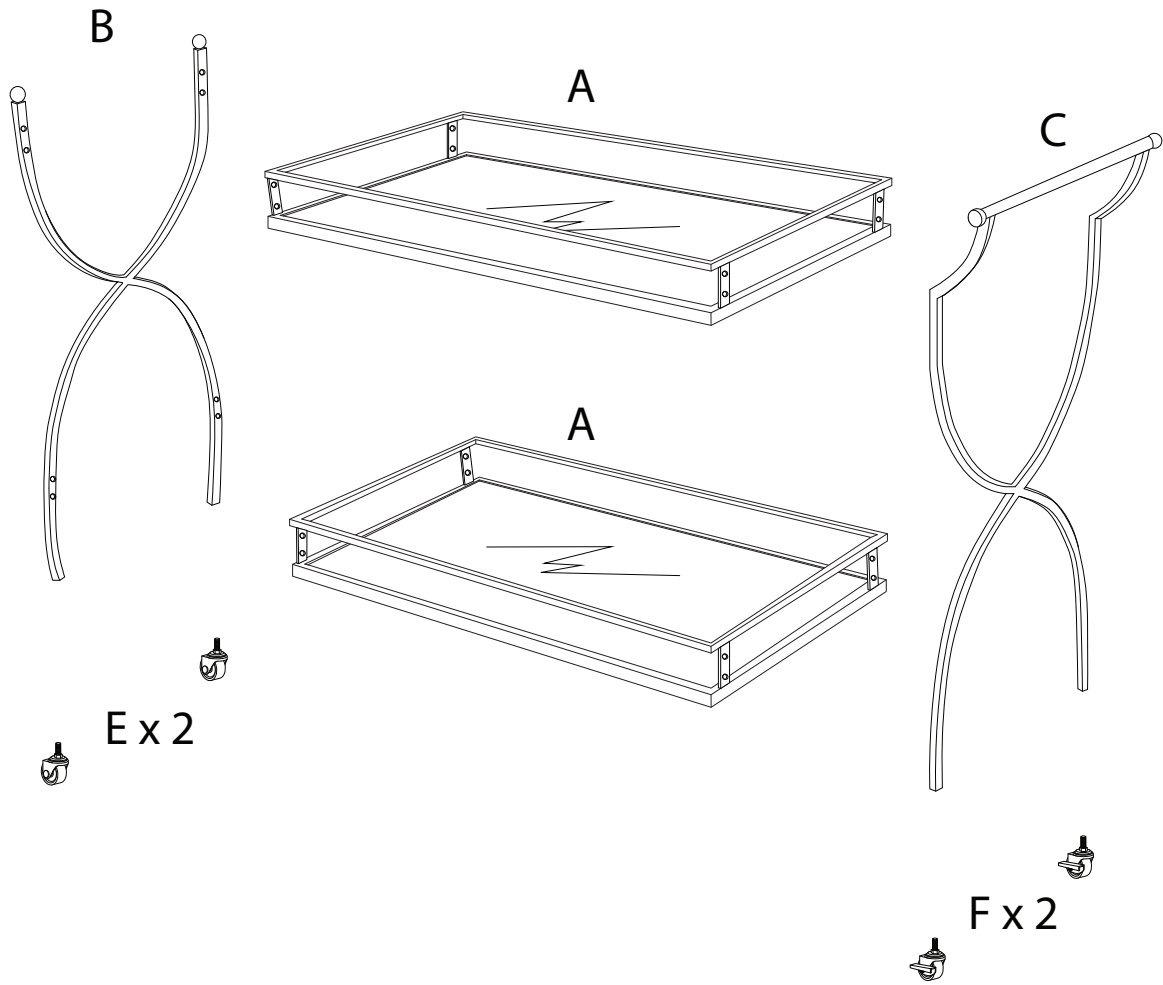
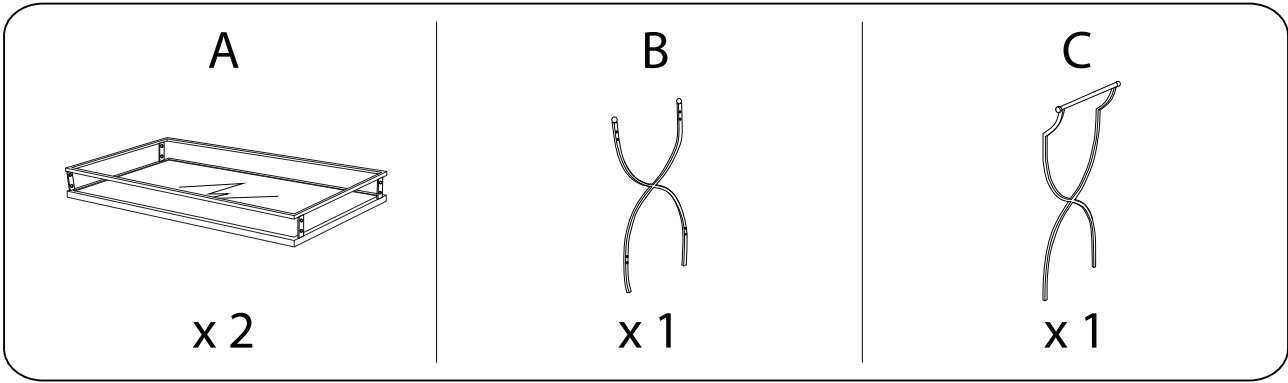


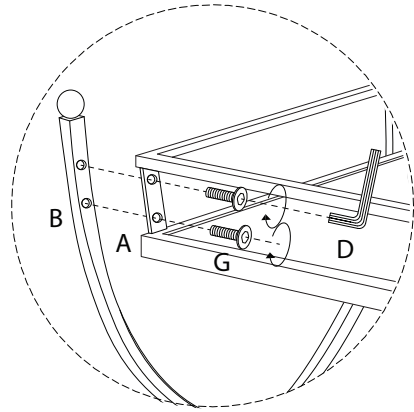
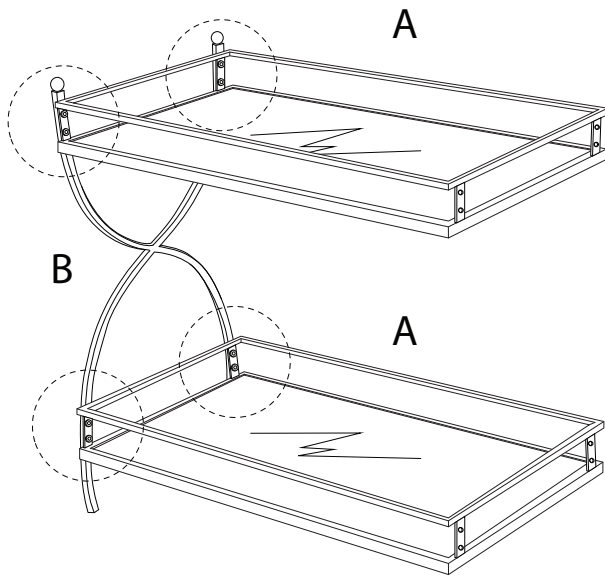
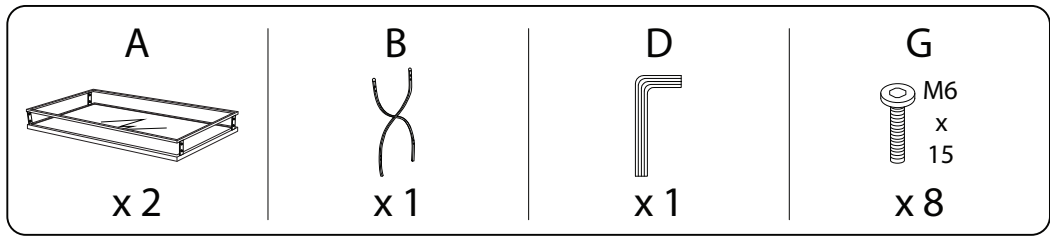


Diagram illustrating assembly instructions and safety warnings:

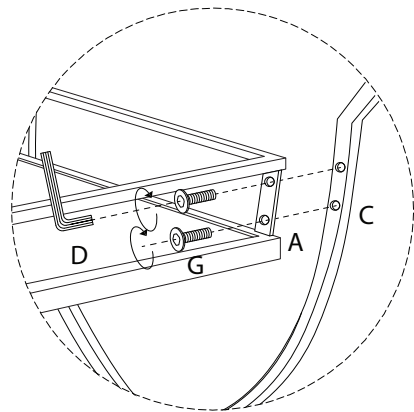
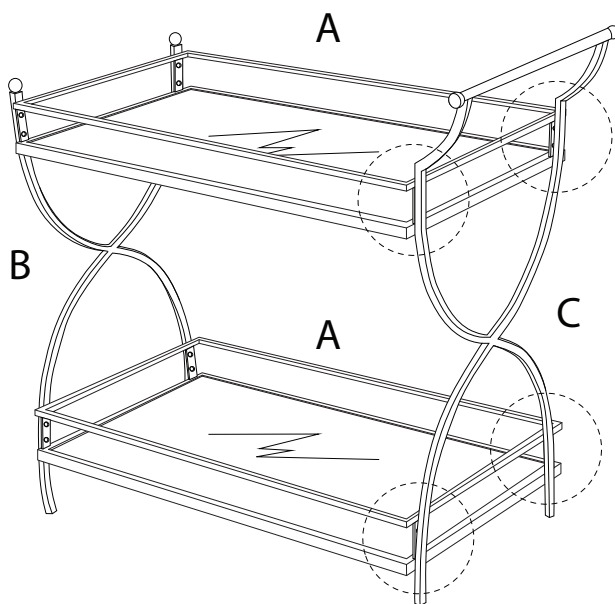
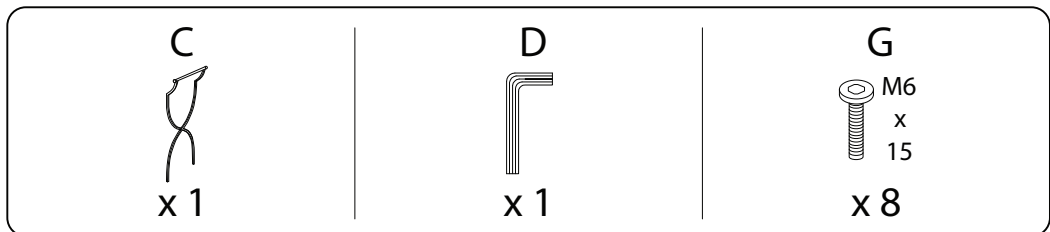
- Warning 1:** A warning triangle with an exclamation mark is shown next to a box containing an L-shaped metal bracket and a crossed-out power drill, indicating that a power drill should not be used for this step.
- Warning 2:** A second warning triangle with an exclamation mark is shown next to a box containing a rectangular metal plate and a crossed-out screwdriver, indicating that a screwdriver should not be used for this step.
- Time:** A clock icon indicates a 30-minute assembly time.
- Personnel:** An icon of a person indicates that 2 people are required for assembly.



1



2



3

E



x 2

F



x 2

