
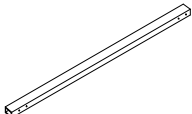
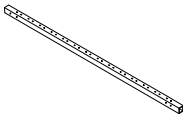


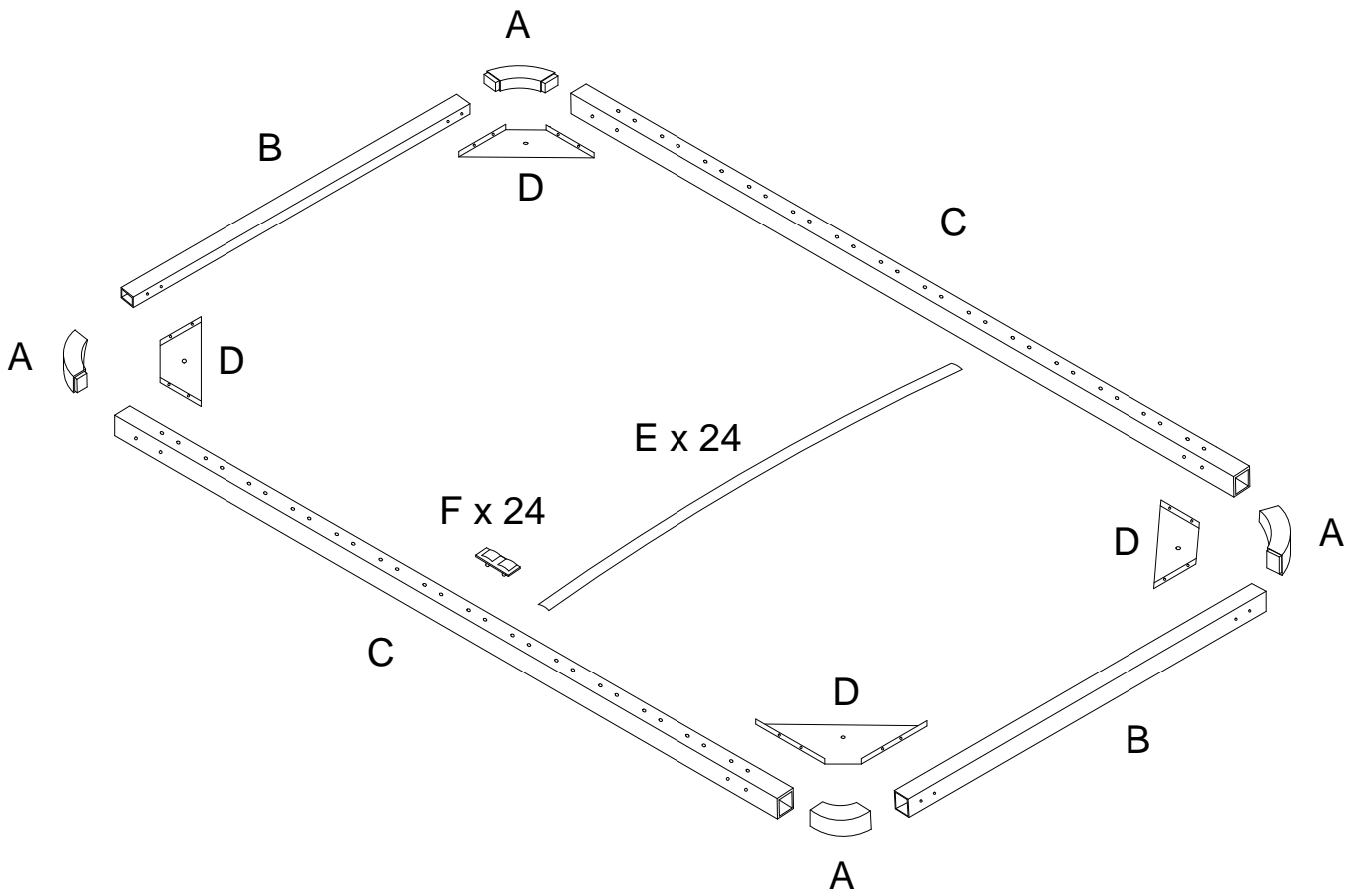


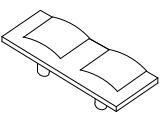
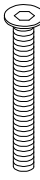
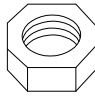

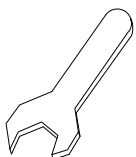
Assembly instructions for step 1/4:

- Tools:** An icon in a circle shows an Allen key and a wrench. A power drill icon is crossed out with a diagonal line, indicating it should not be used.
- Warning:** A triangle with an exclamation mark points to the top of the frame.
- Time:** A clock icon indicates an estimated assembly time of 30 minutes.
- Personnel:** An icon of a person indicates that 2 people are required for assembly.


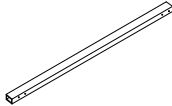
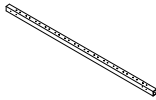

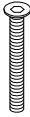
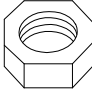
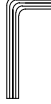
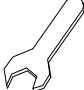
1/4

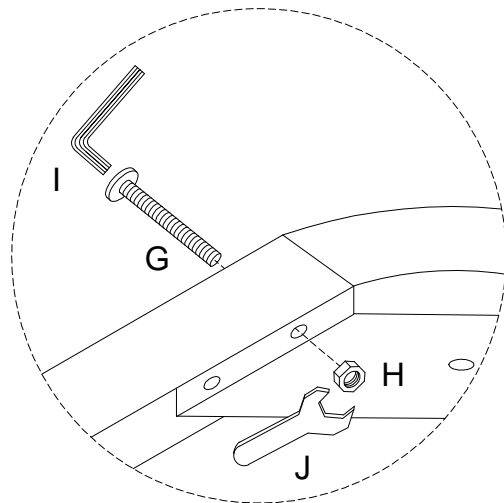
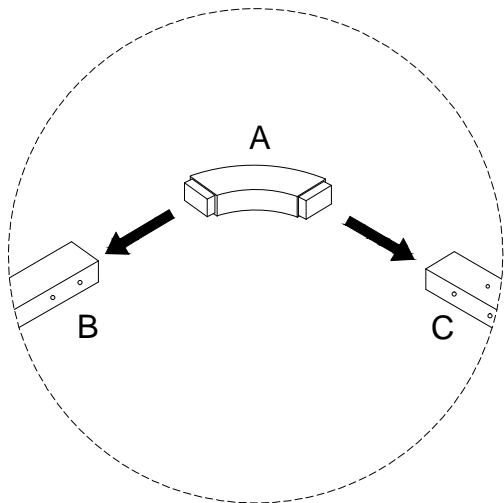
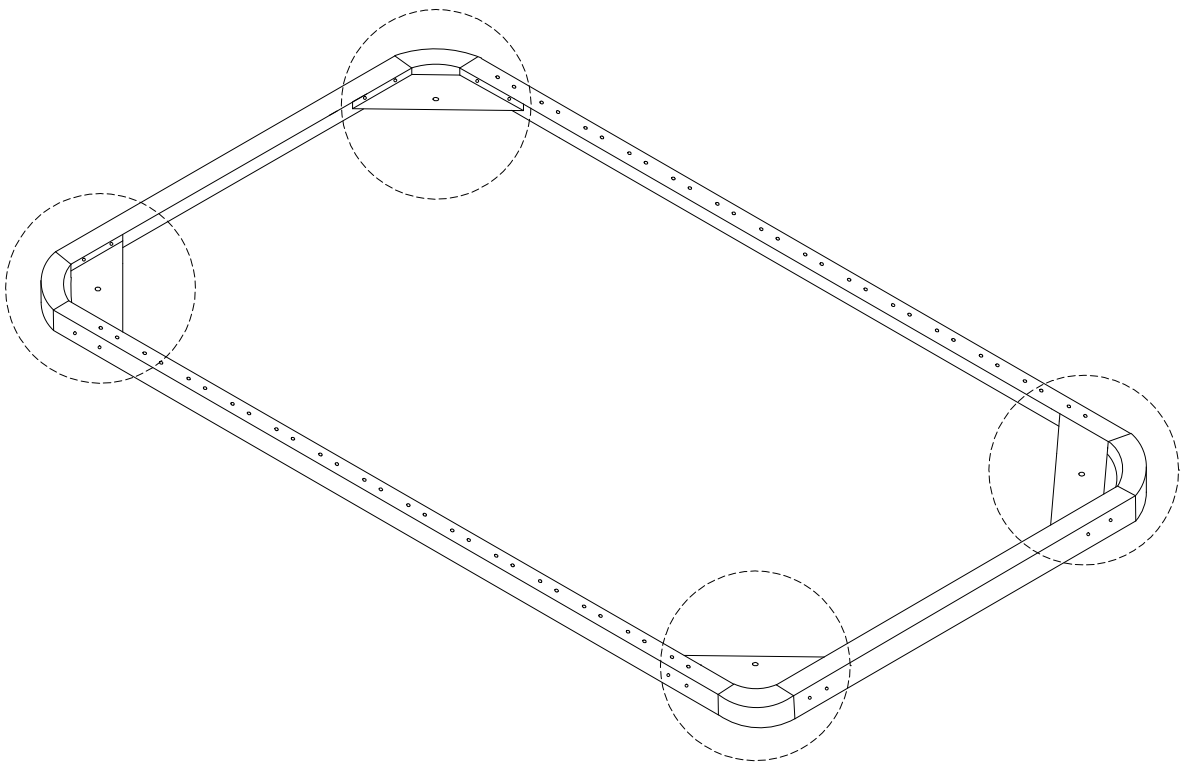
A	B	C	D	E
				
x 4	x 2	x 2	x 4	x 24



F	G	H	I	J
	 M8 x 40			
x 24	x 16	x 16	x 1	x 1

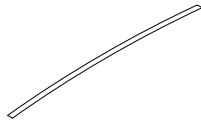
1

<p>A</p>  <p>x 4</p>	<p>B</p>  <p>x 2</p>	<p>C</p>  <p>x 2</p>	<p>D</p>  <p>x 4</p>
<p>G</p>  <p>M8 x 40 x 16</p>	<p>H</p>  <p>x 16</p>	<p>I</p>  <p>x 1</p>	<p>J</p>  <p>x 1</p>



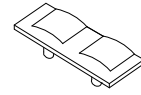
2

E

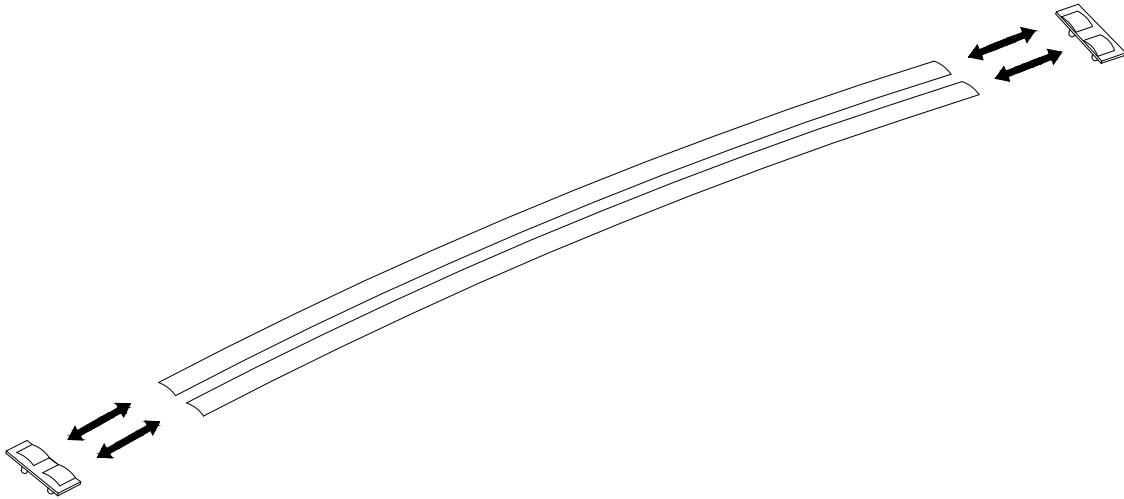


x 24

F



x 24



3

