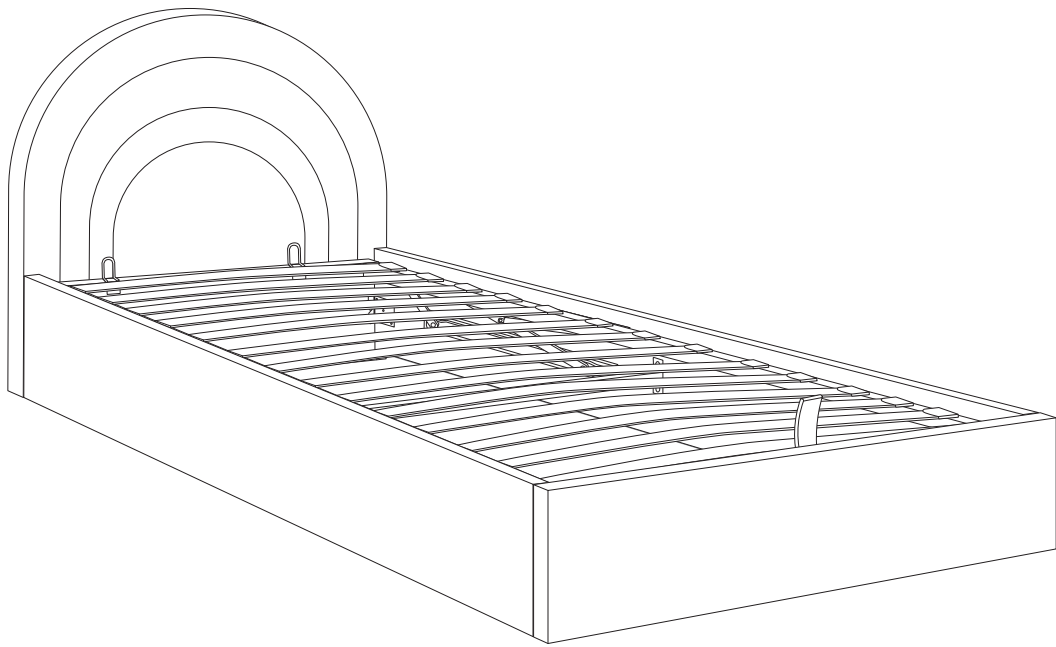
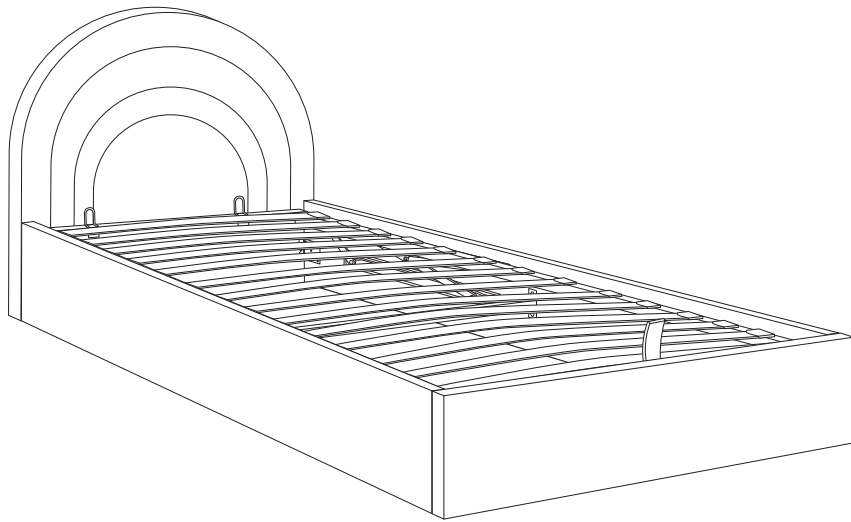
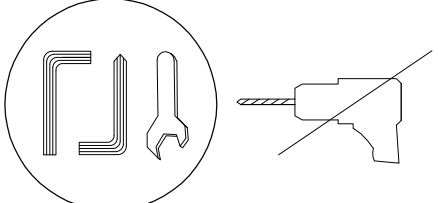

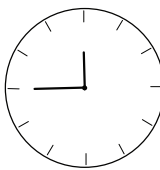
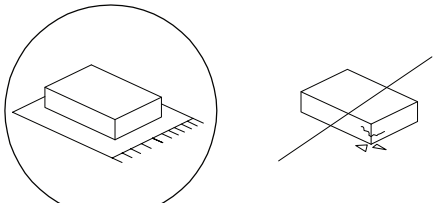

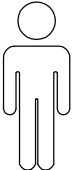
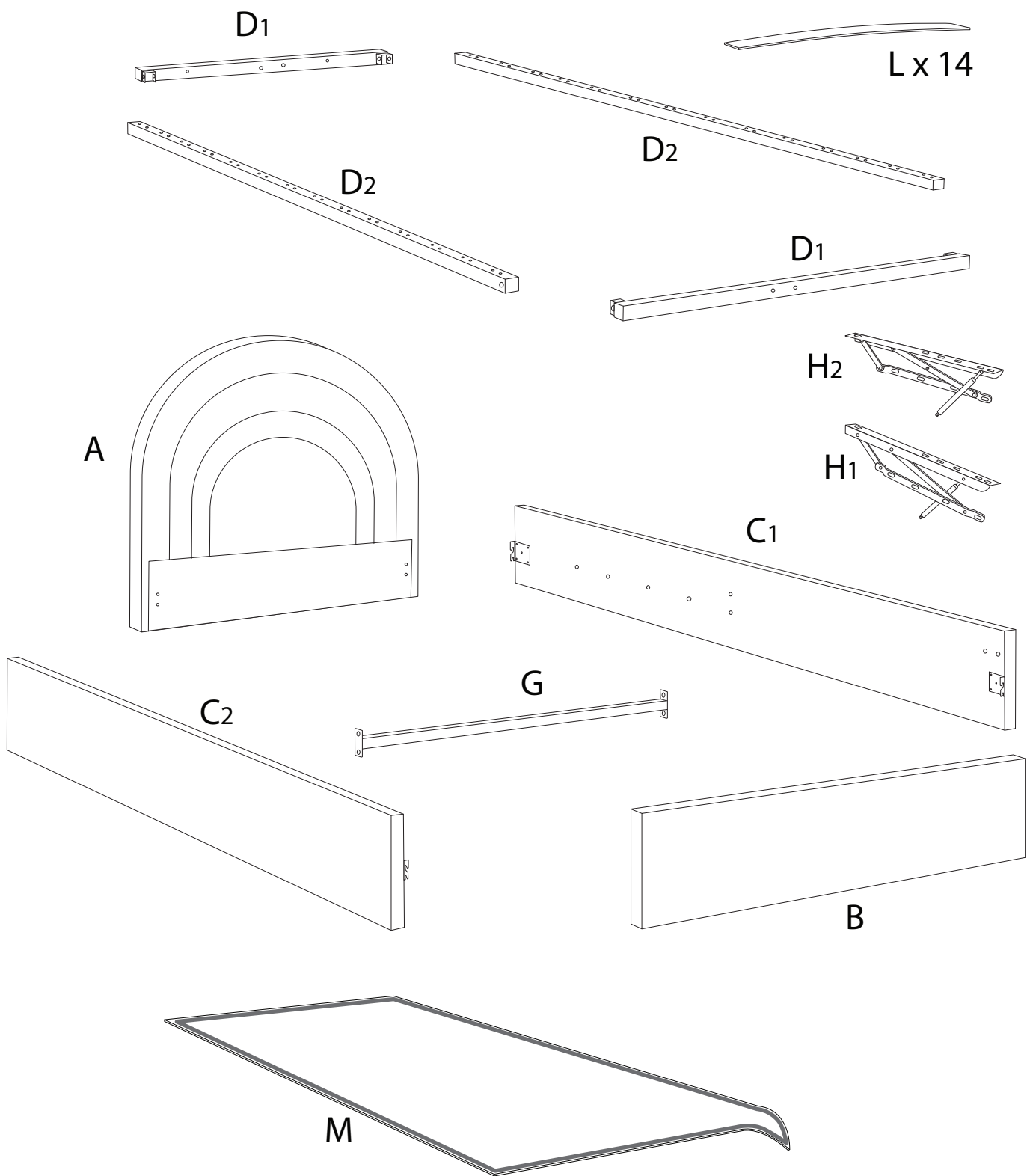


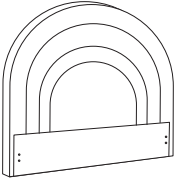
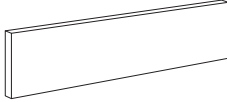
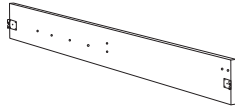
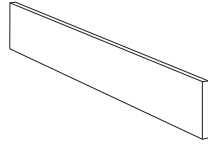

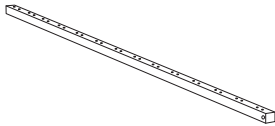
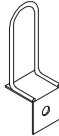


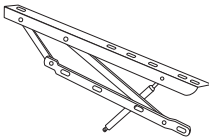
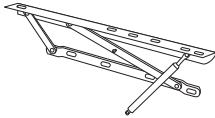
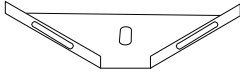
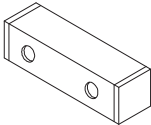
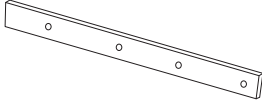

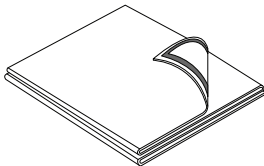
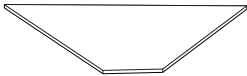
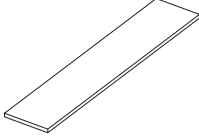
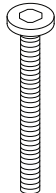
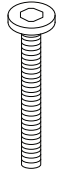
# ANET



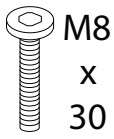


		
		
		<b>2</b>



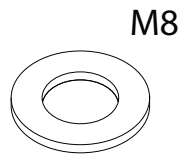
<p>A</p>  <p>x 1</p>	<p>B</p>  <p>x 1</p>	<p>C1</p>  <p>x 1</p>	<p>C2</p>  <p>x 1</p>
<p>D1</p>  <p>x 2</p>	<p>D2</p>  <p>x 2</p>	<p>E</p>  <p>x 2</p>	<p>F</p>  <p>x 1</p>
<p>G</p>  <p>x 1</p>	<p>H1</p>  <p>x 1</p>	<p>H2</p>  <p>x 1</p>	<p>I</p>  <p>x 2</p>
<p>J</p>  <p>x 2</p>	<p>K</p>  <p>x 2</p>	<p>L</p>  <p>x 14</p>	<p>M</p>  <p>x 1</p>
<p>N1</p>  <p>x 2</p>	<p>N2</p>  <p>x 2</p>	<p>O1</p>  <p>M8 x 55</p> <p>x 4</p>	<p>O2</p>  <p>M8 x 45</p> <p>x 10</p>

O<sub>3</sub>



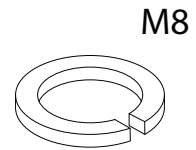
x 8

P



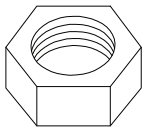
x 22

Q



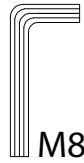
x 22

R



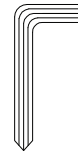
x 10

S



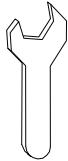
x 1

T



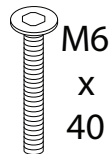
x 1

U



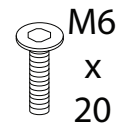
x 1

V<sub>1</sub>



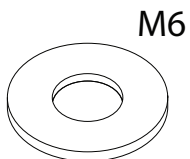
x 8

V<sub>2</sub>



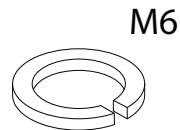
x 12

W



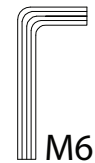
x 20

X



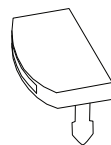
x 20

Y



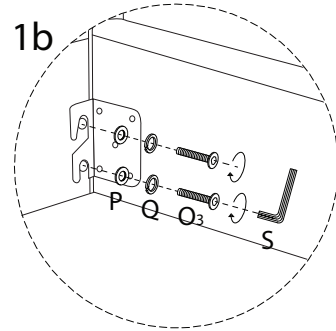
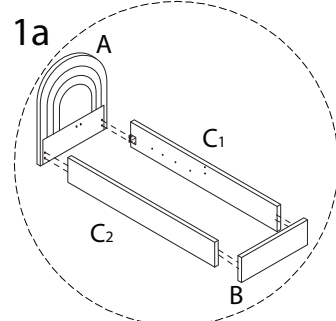
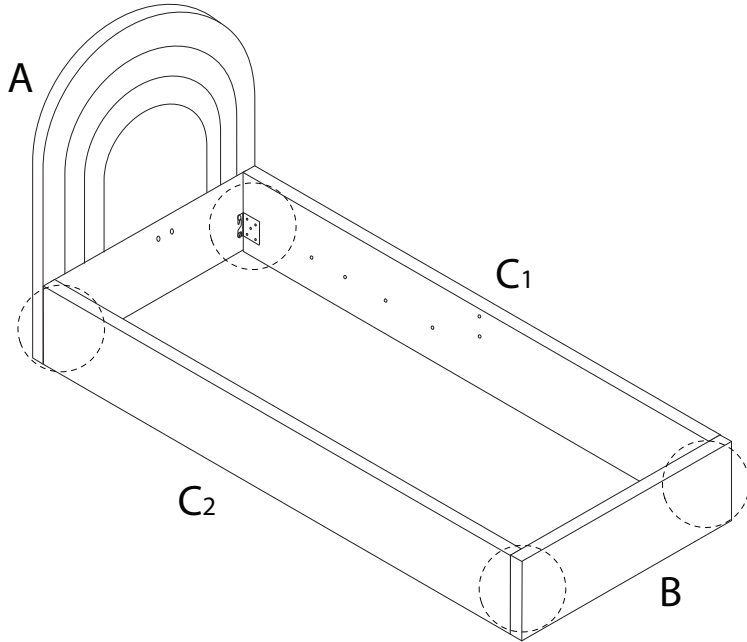
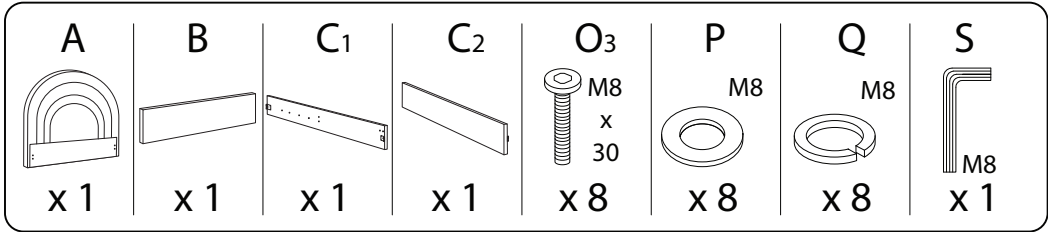
x 1

Z

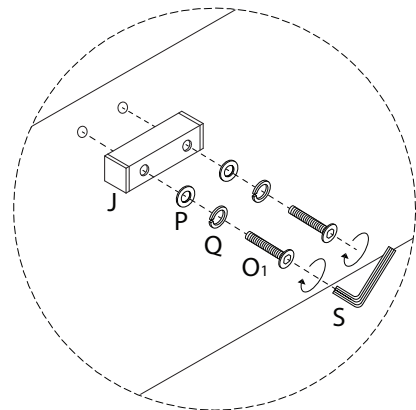
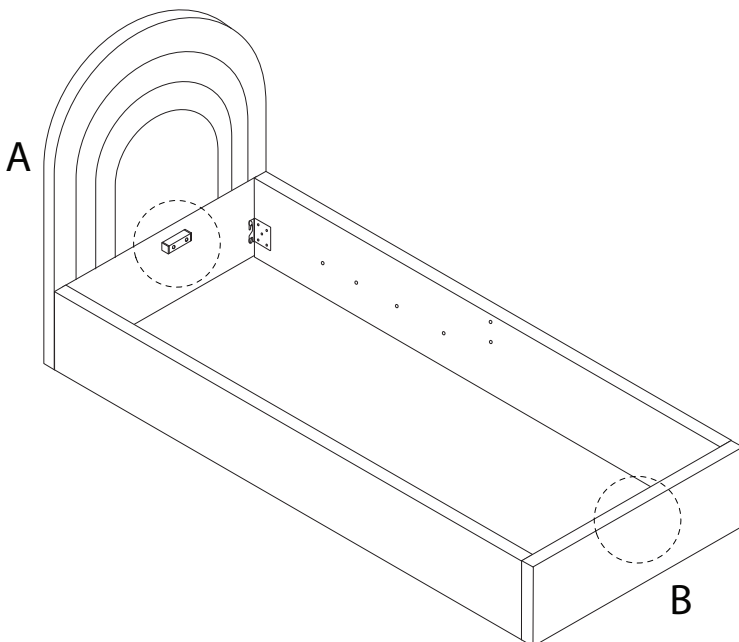
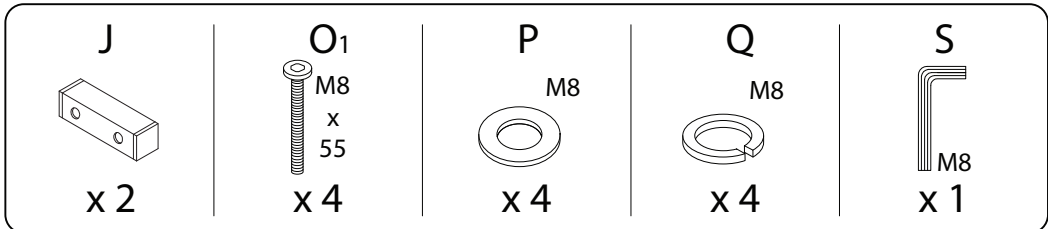


x 28




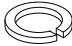
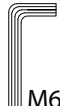
1

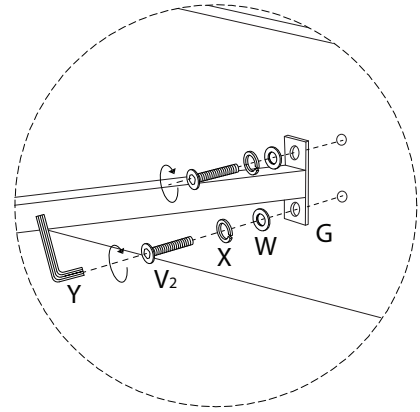
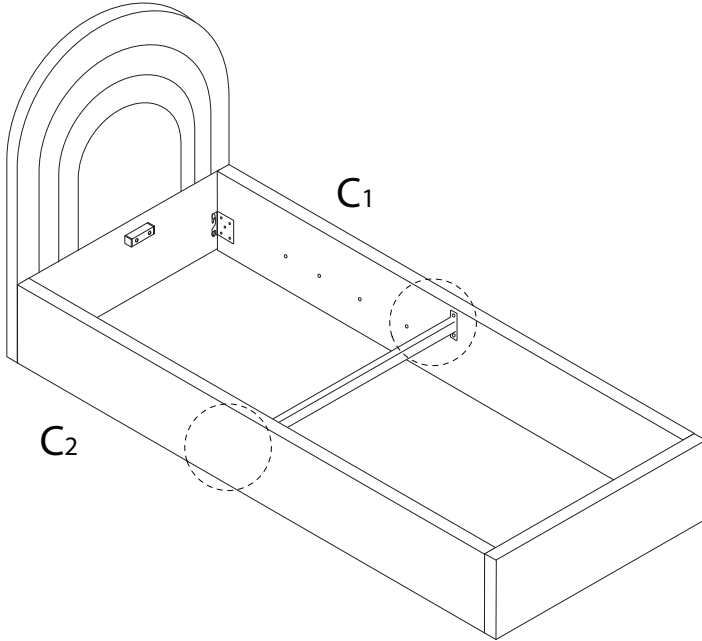


2

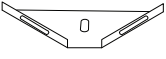
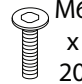

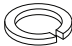



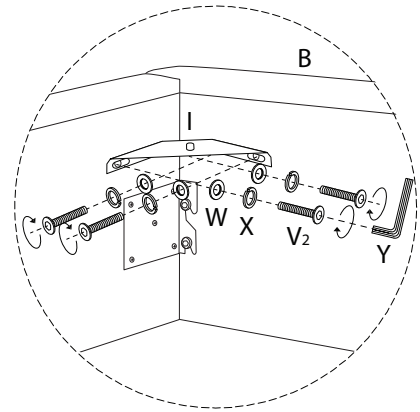
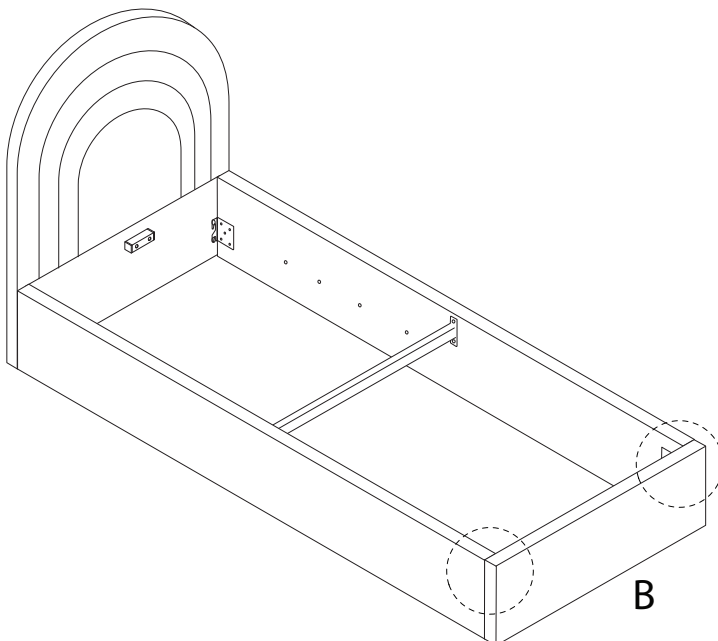
3

<b>G</b>  x 1	<b>V<sub>2</sub></b>  M6 x 20 x 4	<b>W</b>  M6 x 4	<b>X</b>  M6 x 4	<b>Y</b>  M6 x 1
--	--	--	--	--

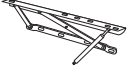
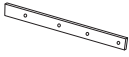
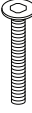


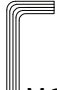


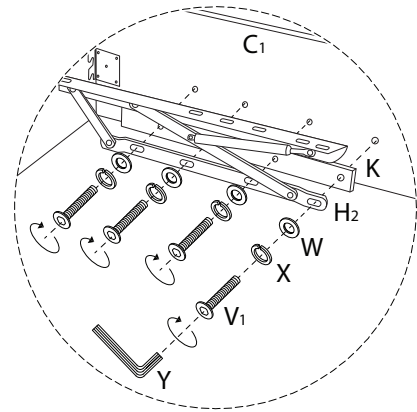
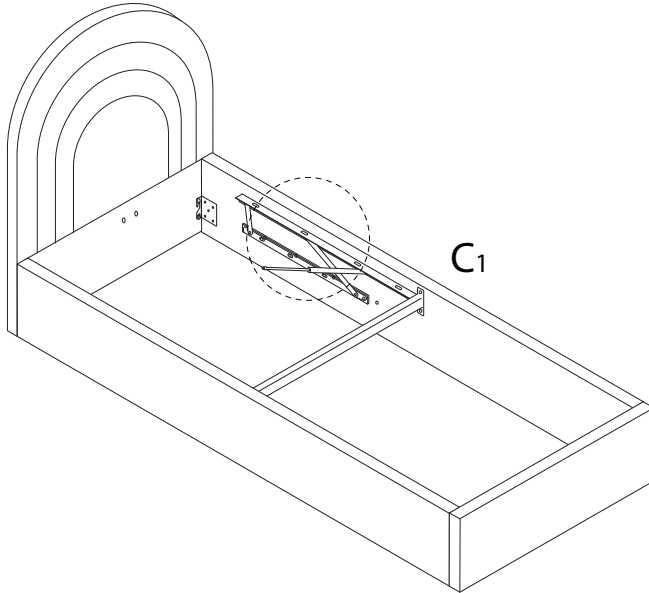
4

<b>I</b>  x 2	<b>V<sub>2</sub></b>  M6 x 20 x 8	<b>W</b>  M6 x 8	<b>X</b>  M6 x 8	<b>Y</b>  M6 x 1
--	--	--	--	--


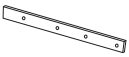
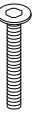

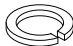
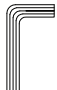


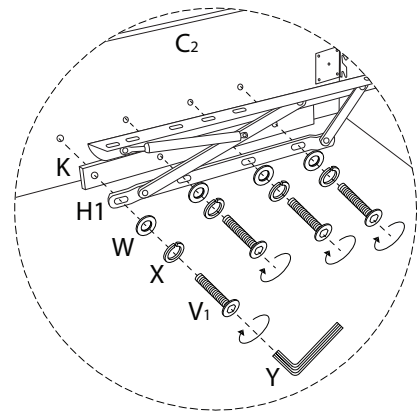
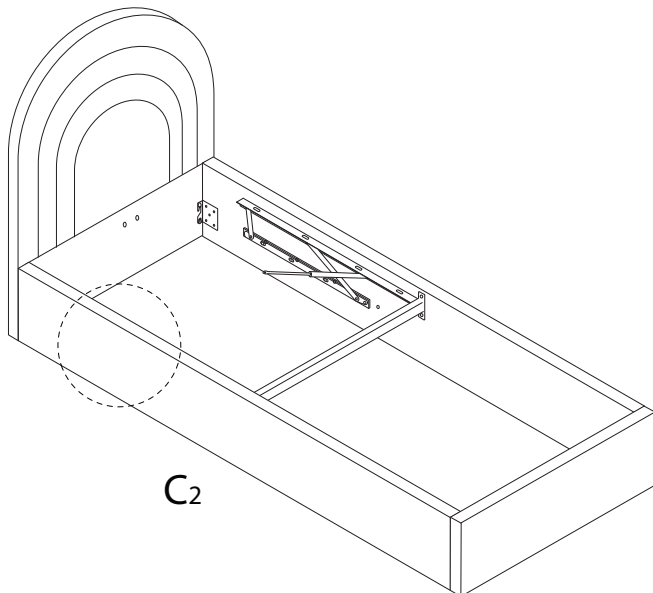
5

H <sub>2</sub>  x 1	K  x 1	V <sub>1</sub> M6 x 40  x 4	W M6  x 4	X M6  x 4	Y  M6 x 1
--	---	--	--	---	---



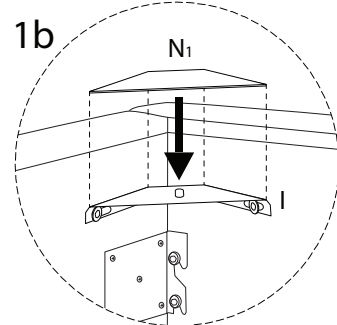
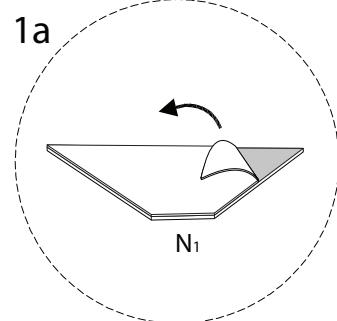
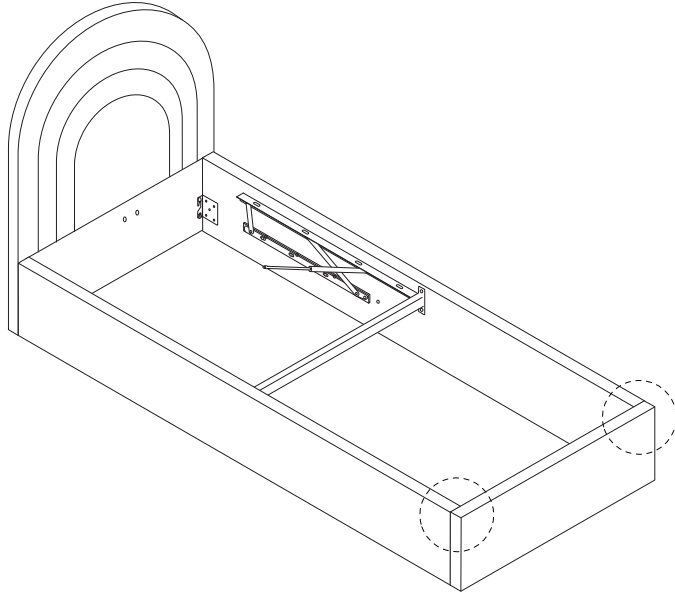
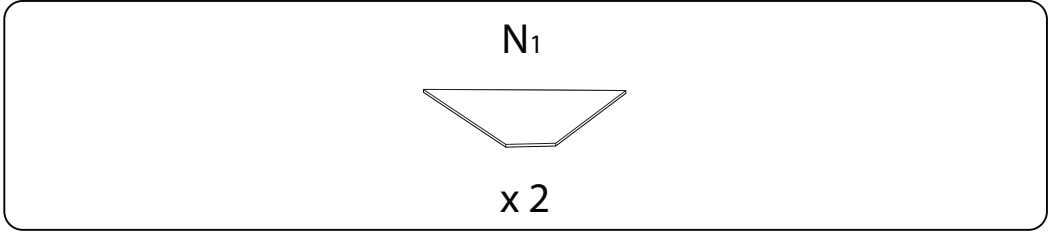
6

H <sub>1</sub>  x 1	K  x 1	V <sub>1</sub> M6 x 40  x 4	W M6  x 4	X M6  x 4	Y  M6 x 1
--	---	--	--	---	---

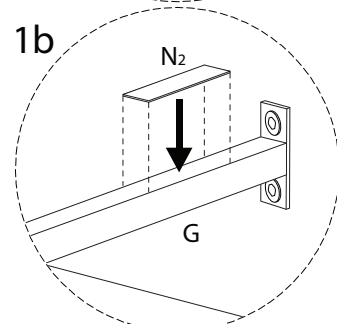
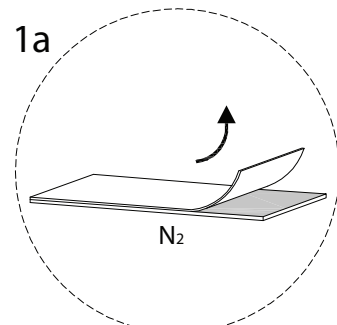
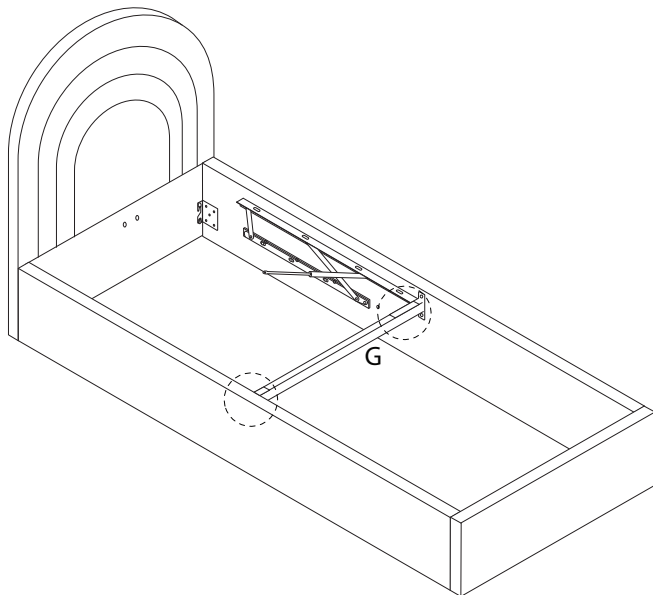
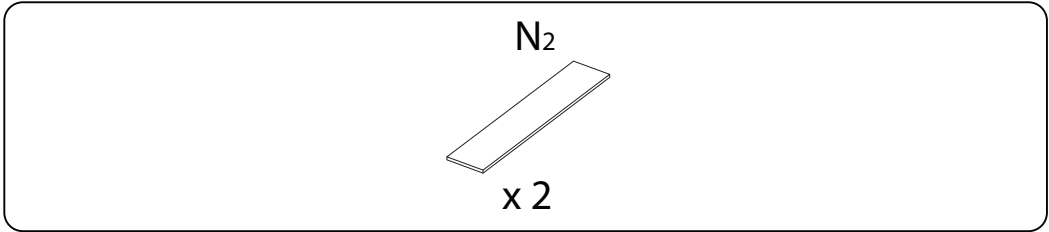





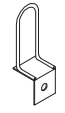
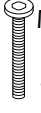

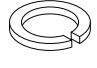
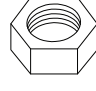
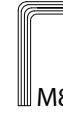
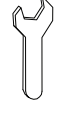
7

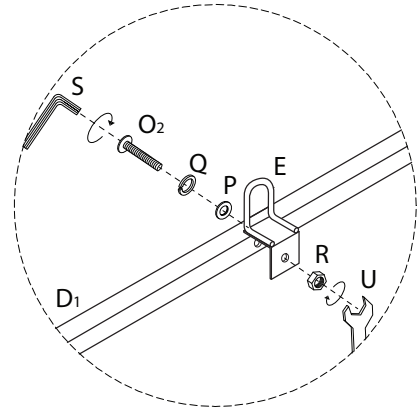
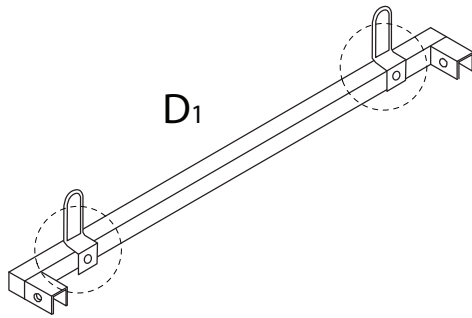


8

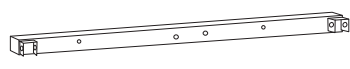



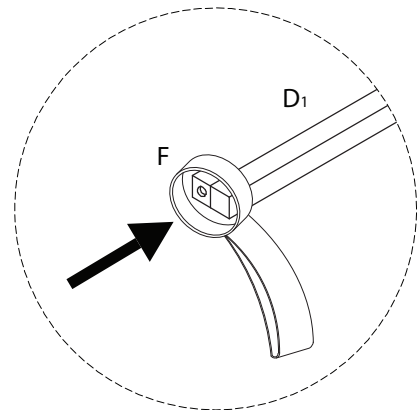
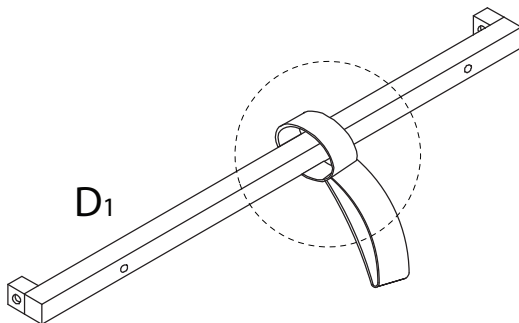
9

D <sub>1</sub>  x 1	E  x 2	O <sub>2</sub> M8 x 45  x 2	P M8  x 2	Q M8  x 2	R  x 2	S M8  x 1	U  x 1
--	---	---	---	---	---	---	---

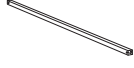
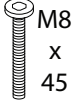

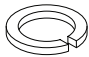
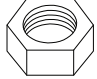

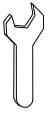


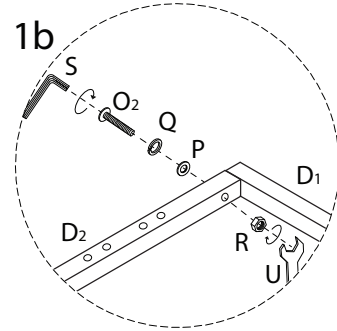
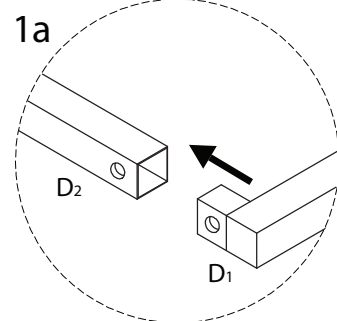
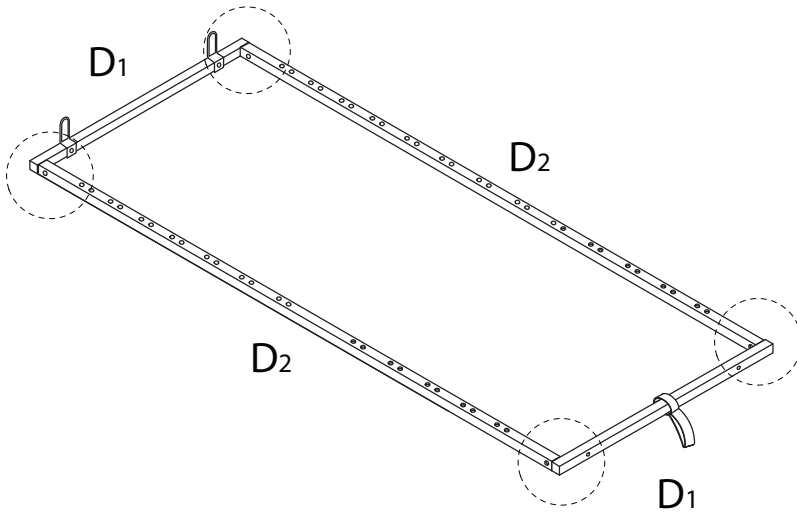
10

D <sub>1</sub>  x 1	F  x 1
--	---



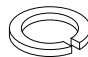
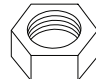
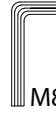
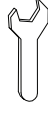


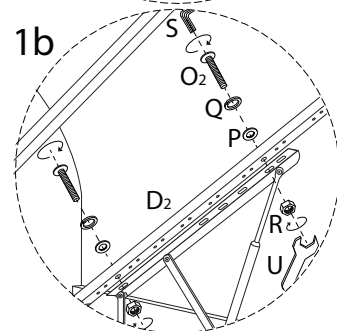
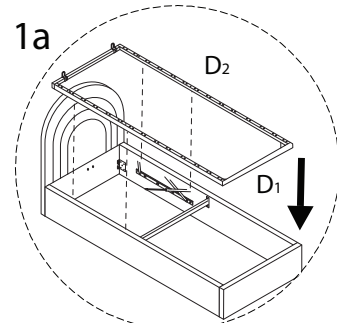
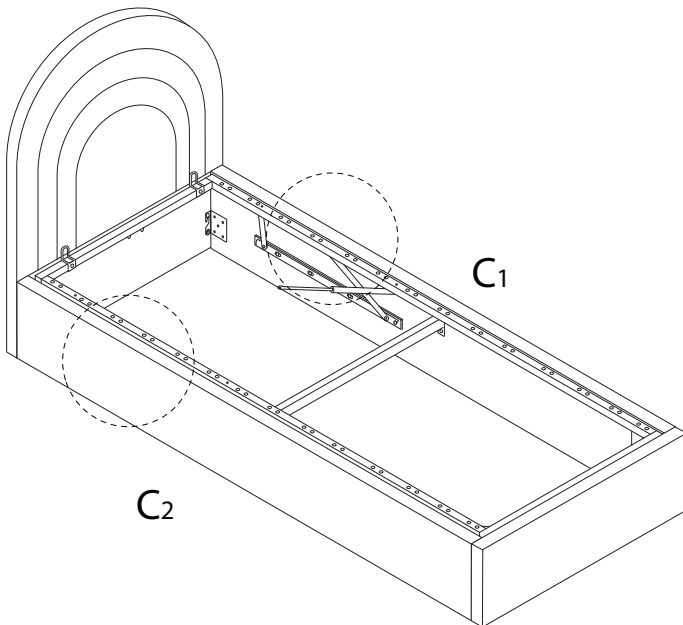
# 11

D2  x 2	O2 M8 x 45  x 4	P M8  x 4	Q M8  x 4	R  x 4	S M8  x 1	U  x 1
--	--	---	---	--	---	---

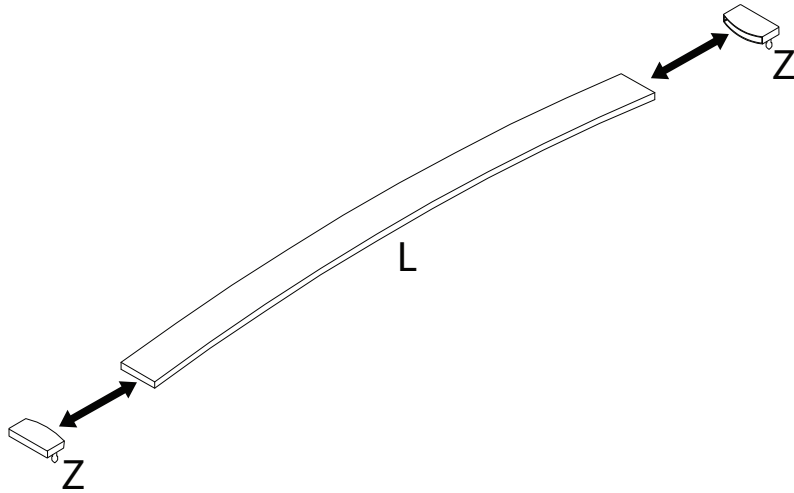
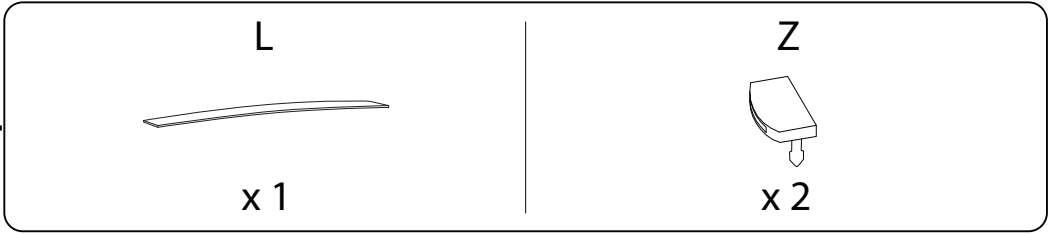


# 12

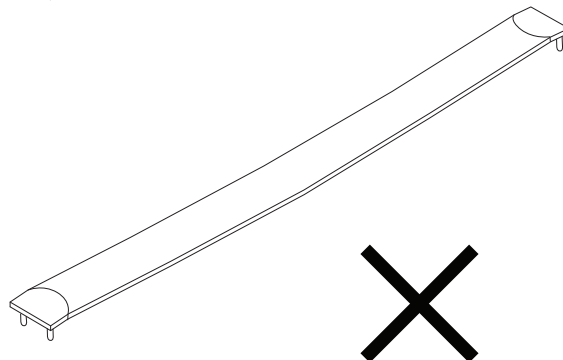
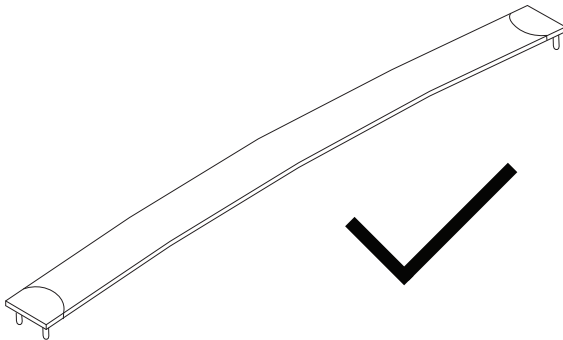
O2 M8 x 45  x 4	P M8  x 4	Q M8  x 4	R  x 4	S M8  x 1	U  x 1
--	---	---	--	---	---



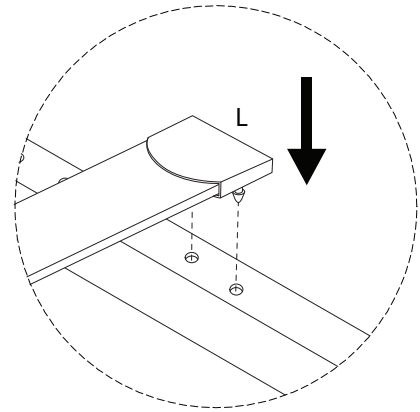
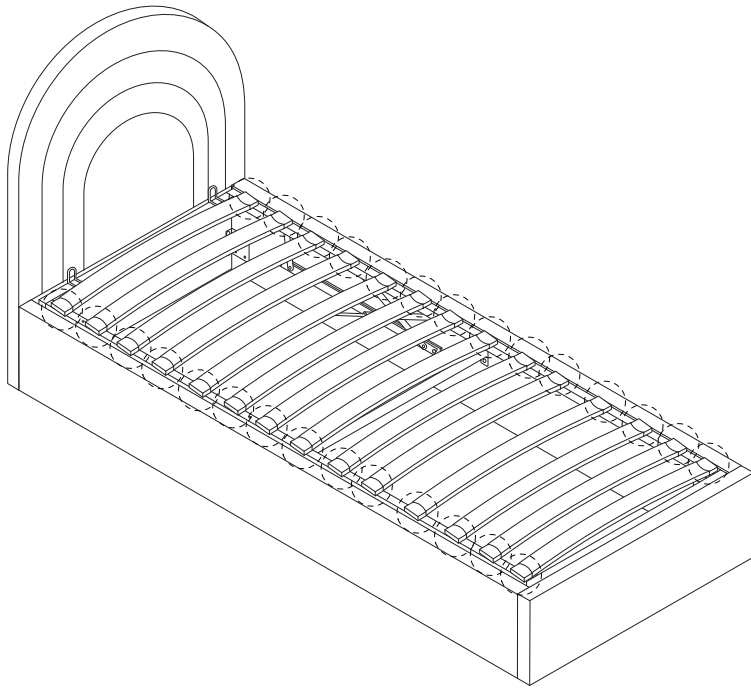
13 x 14



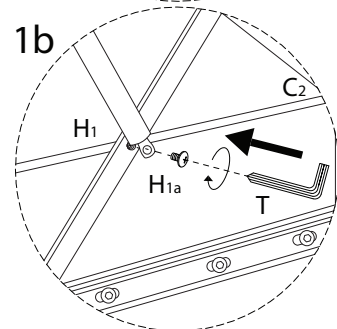
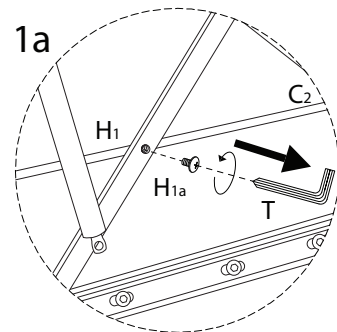
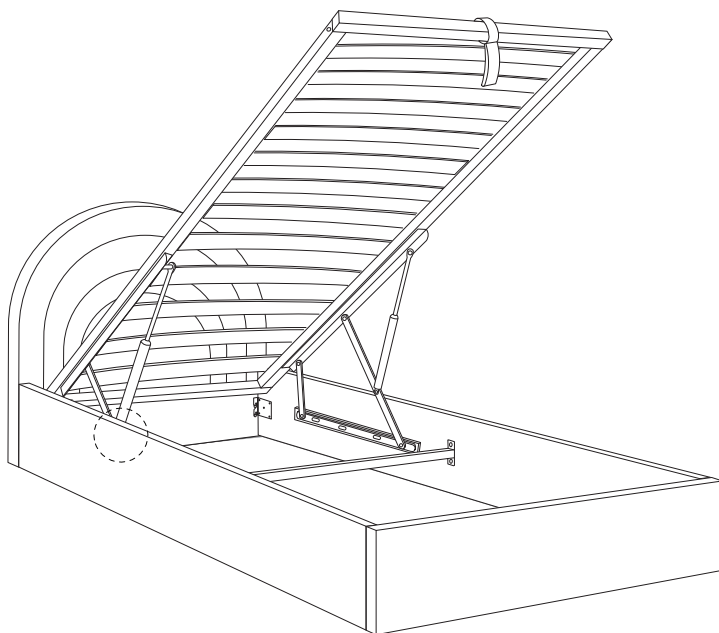
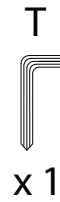
!



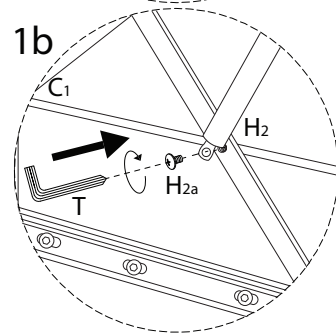
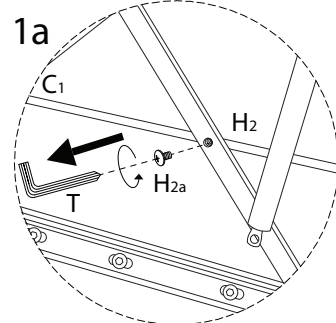
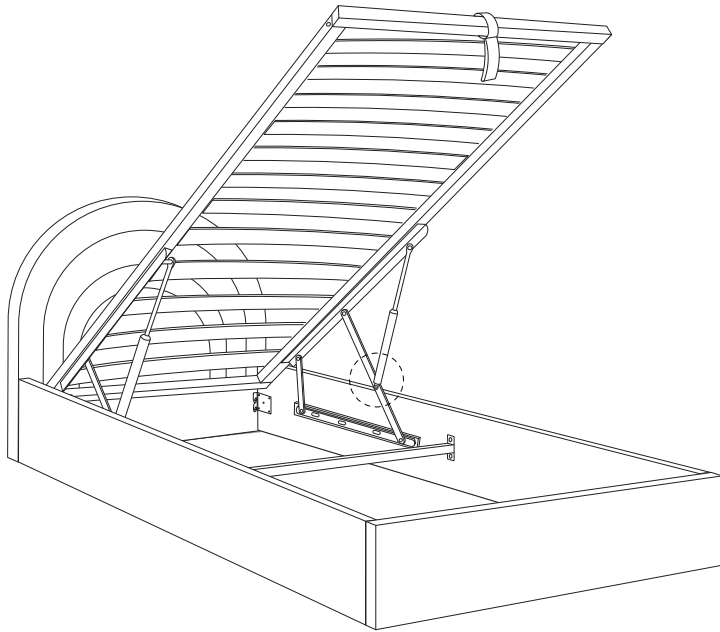
14



15



16



17

