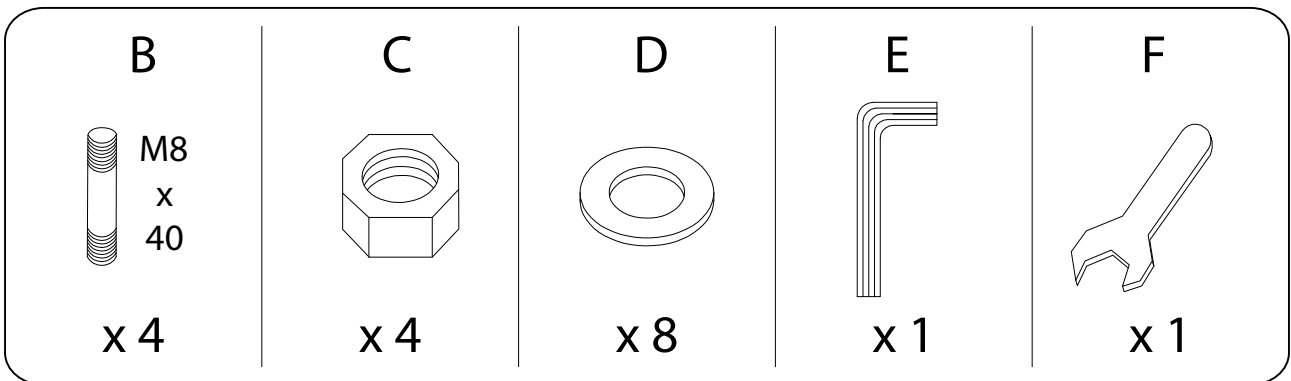
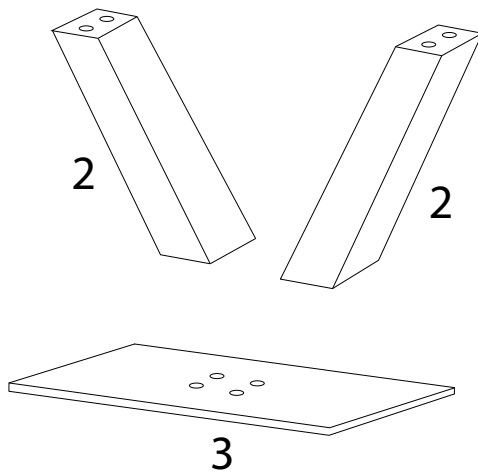
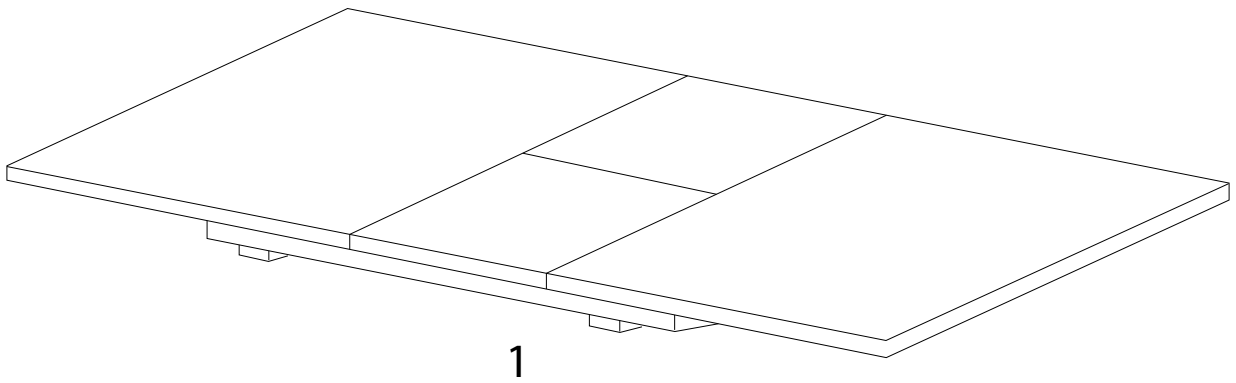
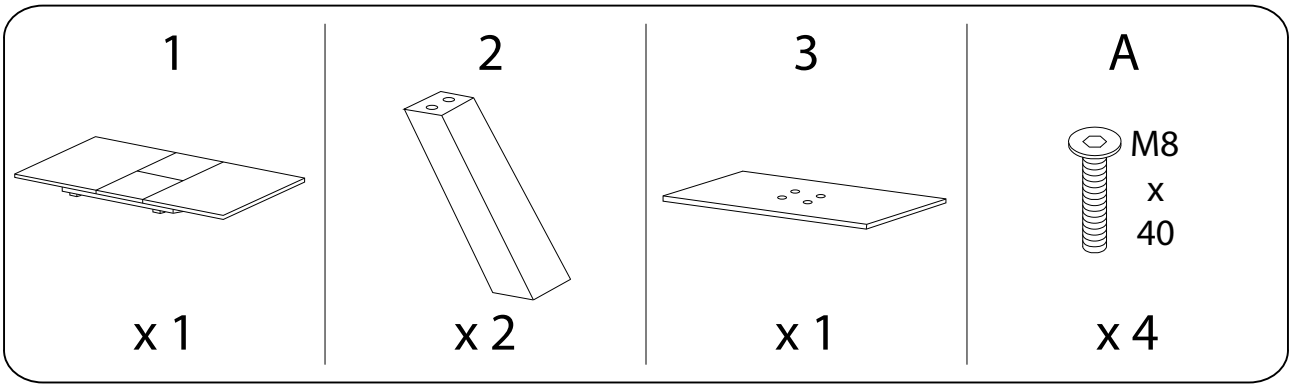


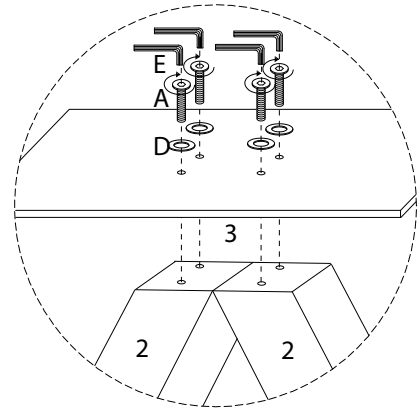
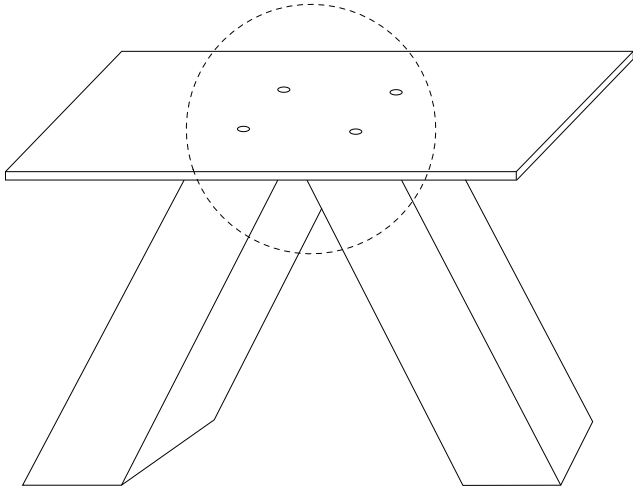
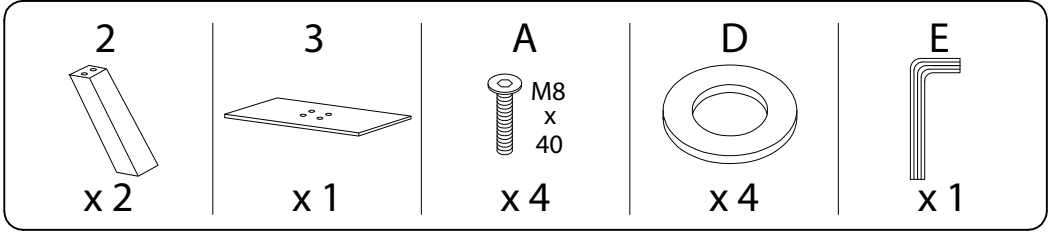
Diagram illustrating assembly instructions and safety warnings:

- Top Warning:** A warning triangle with an exclamation mark is connected by a vertical line to a box containing icons for an Allen key, a wrench, and a crossed-out power drill. To the right of this box is a clock icon with the text "20'" below it, indicating a 20-minute assembly time.
- Bottom Warning:** A warning triangle with an exclamation mark is connected by a vertical line to a box containing icons for a block being placed on a mat and a block being placed on a surface with a crossed-out arrow, indicating correct placement instructions.
- Person Icon:** A stick figure icon is positioned below the bottom warning box, with the number "1" below it, indicating that one person is required for assembly.

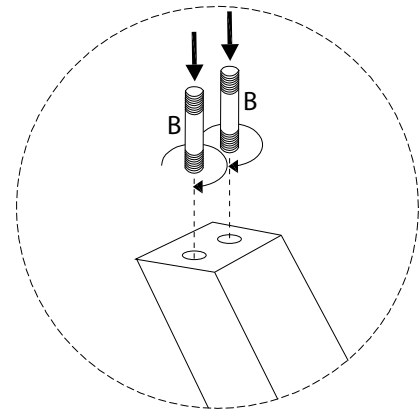
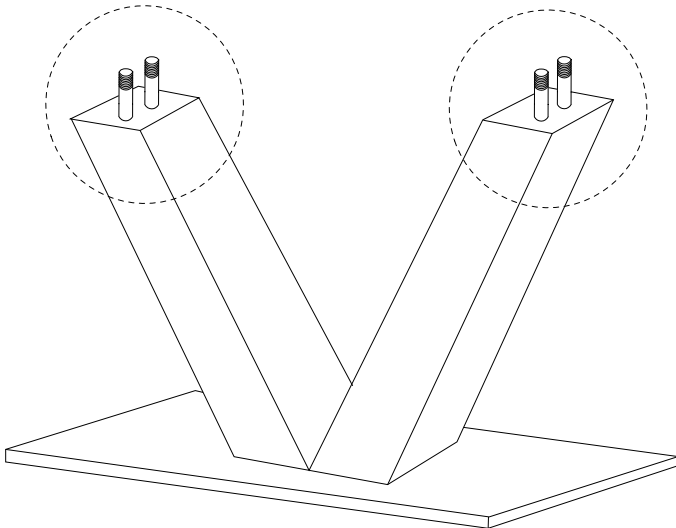
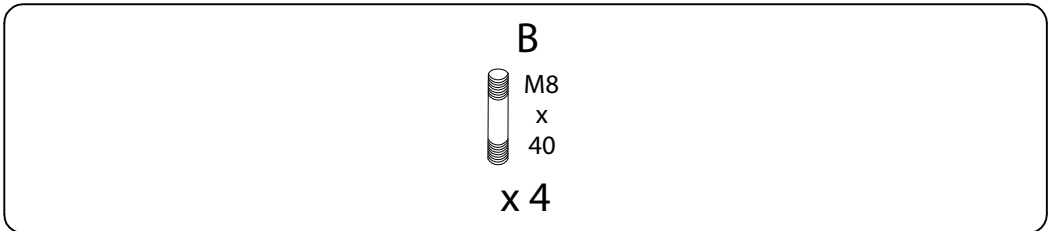
1/4



1



2



3

