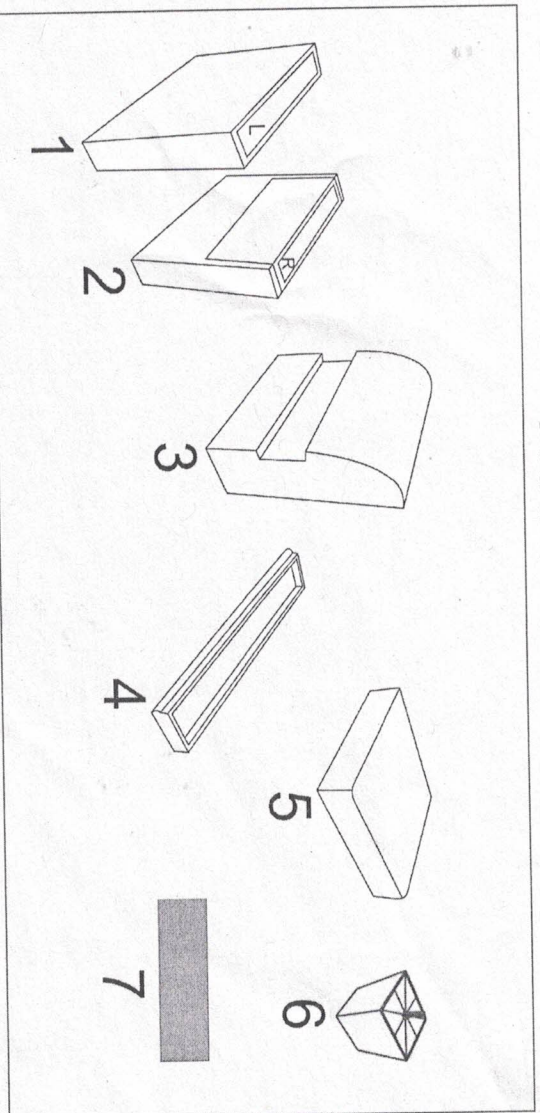


# H901-3 ASSEMBLY INSTRUCTION



PART LIST		
ITEM	DESCRIPTION	QTY
1	ARMREST (L)	1PC
2	ARMREST (R)	1PC
3	BACK	1PC
4	FRONT BOARD	1PC
5	SEAT	1PC
6	FEET	4PCS
7	DUST COVER	1PC

HARDWARE LIST			
ITEM	DESCRIPTION	PIC	QTY
A	SCREW M8X55MM		8PCS
B	ALLEN KEY		1PC
C	METAL WASHER		8PC
D	BIG PLASTIC WASHER		4PC

**STEP 1**

**STEP 2**

**STEP 3**

Please take out the fitting box from the back

**STEP 4**

**STEP 5**