

## LIST OF ACCESSORIES

M8 x 20



A x 16

<i>



B x 16

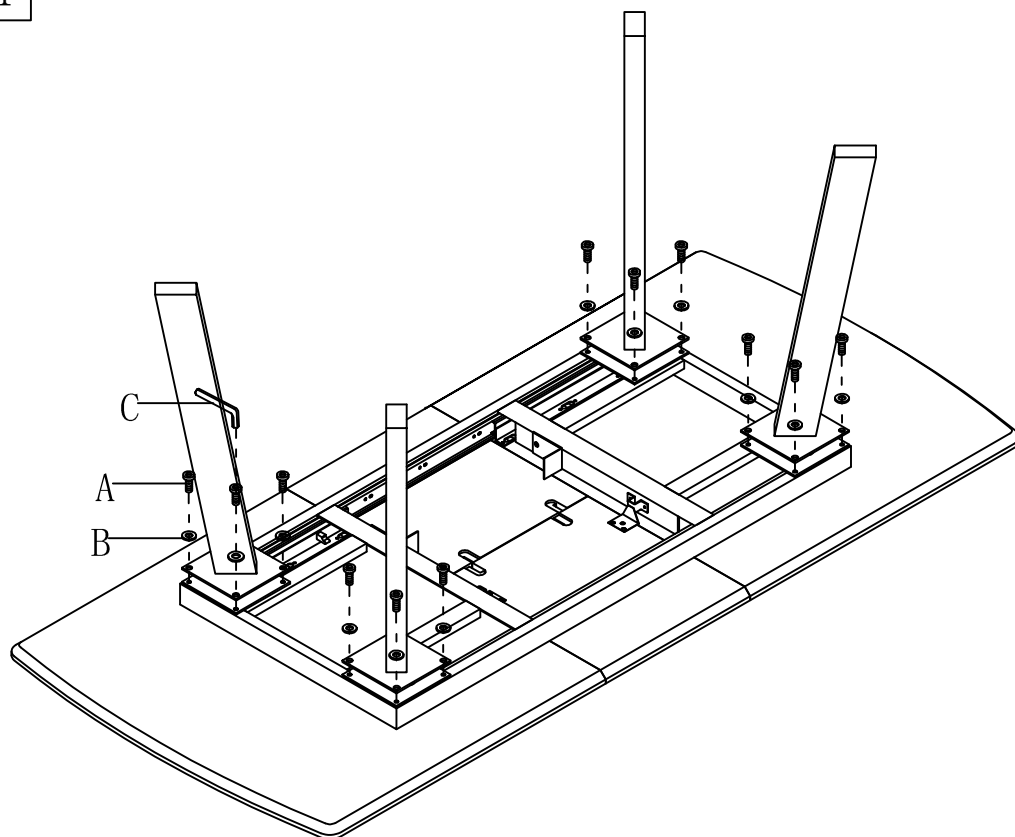
M5



C x 1

## ASSEMBLING STEPS

1



2

