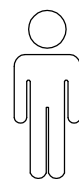
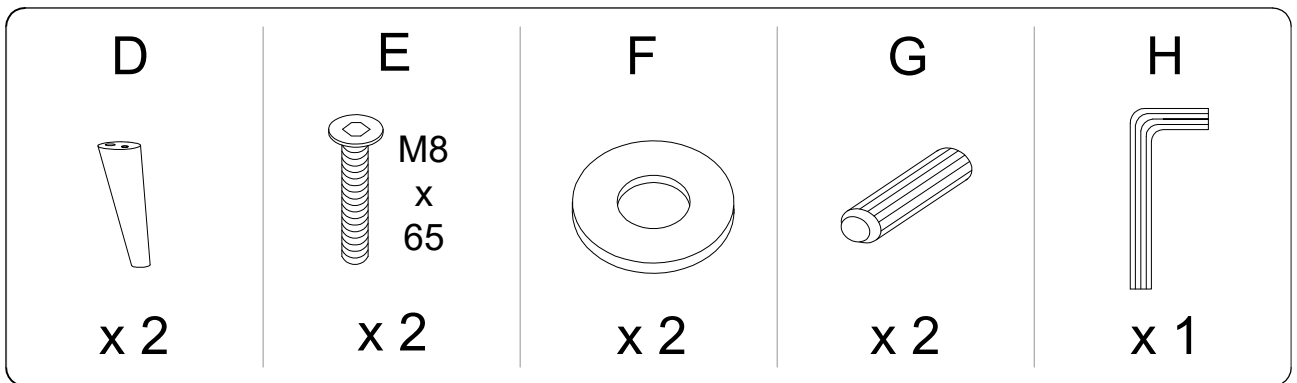
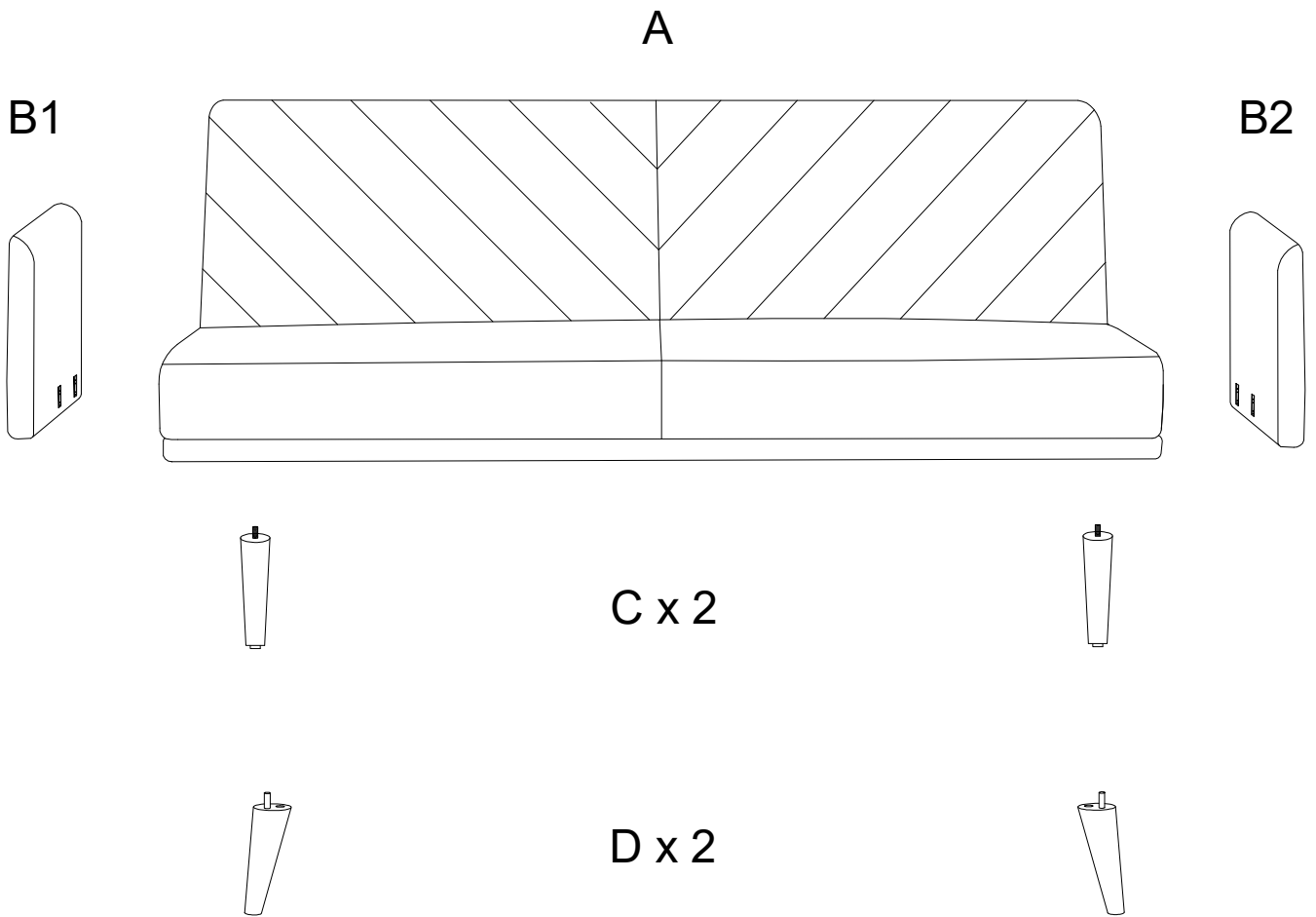
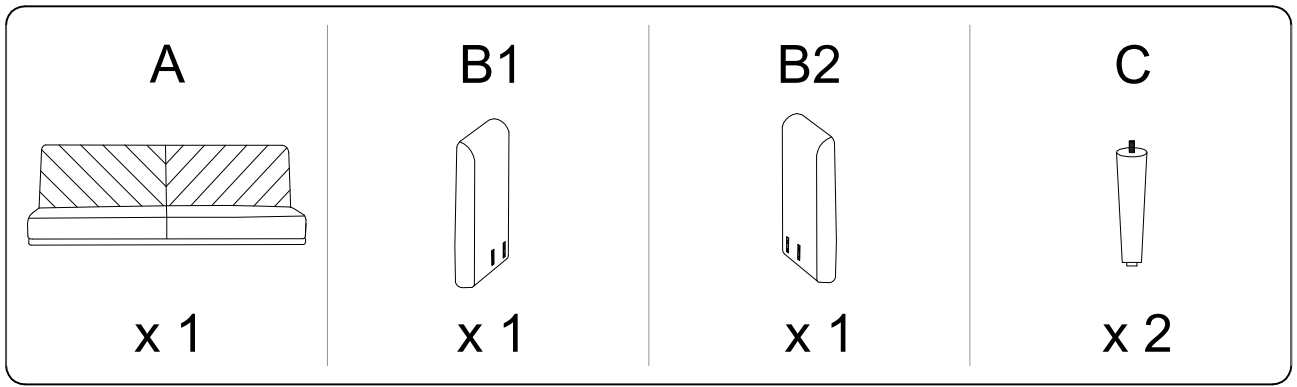
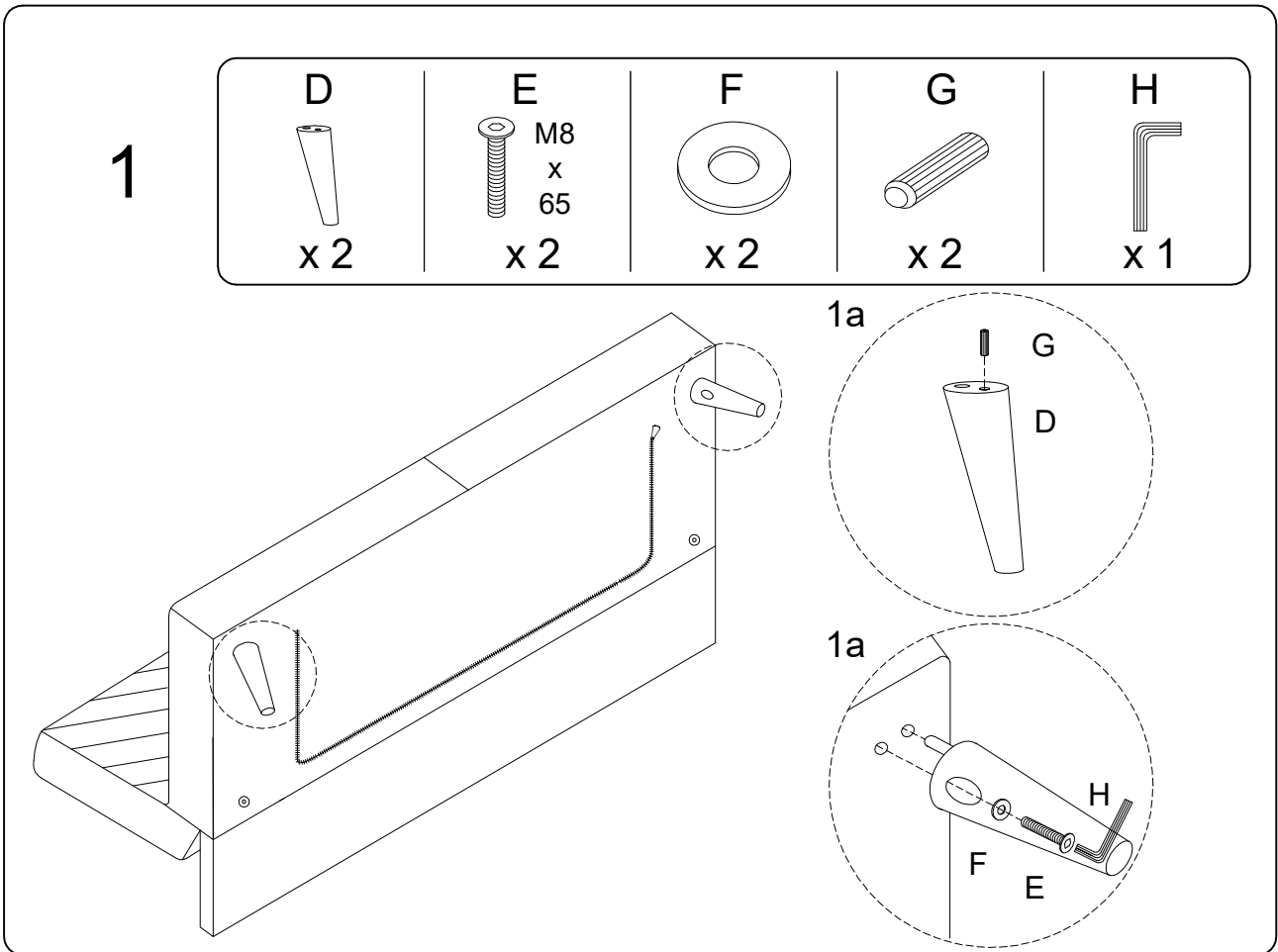
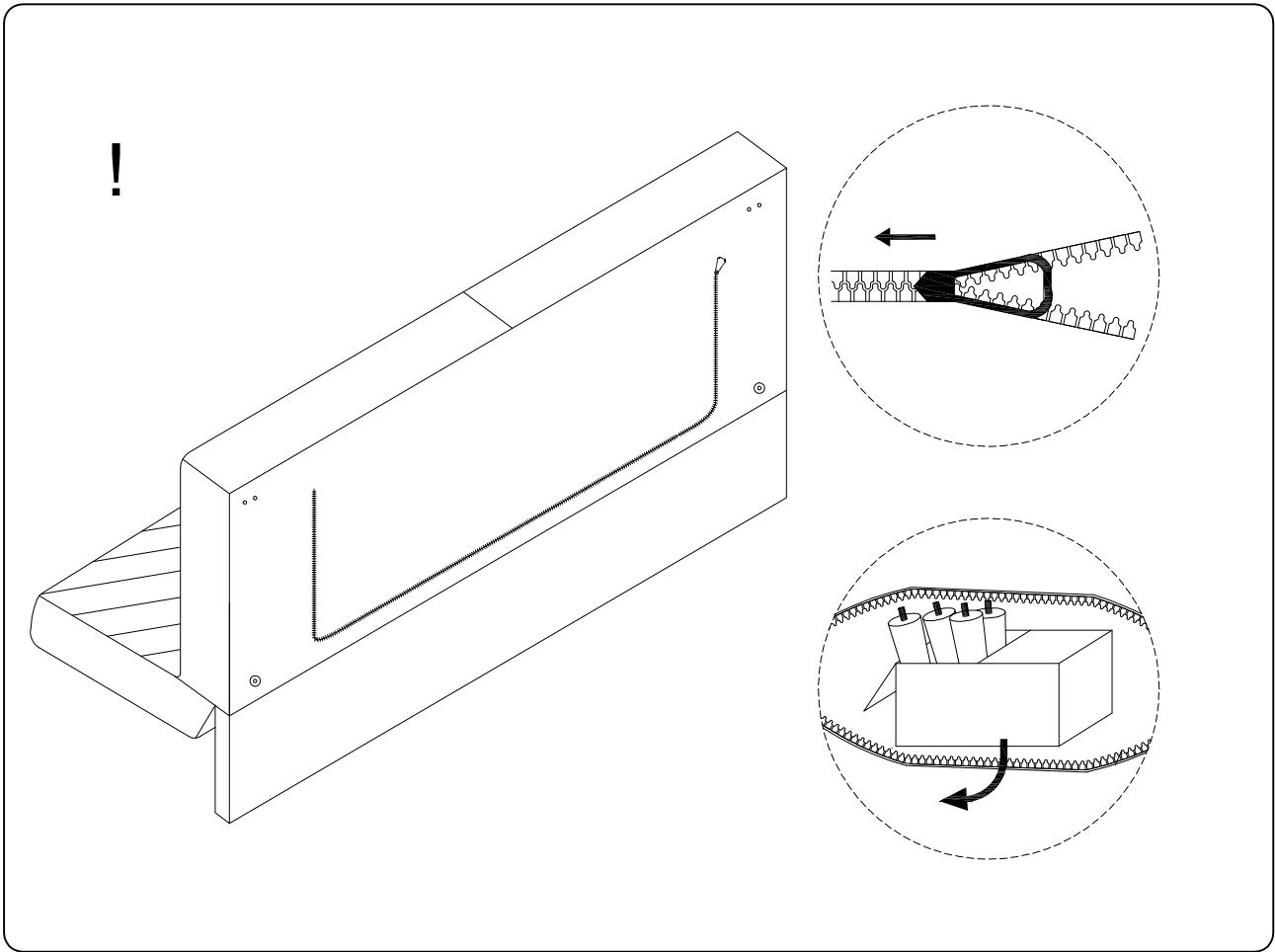


10'



1



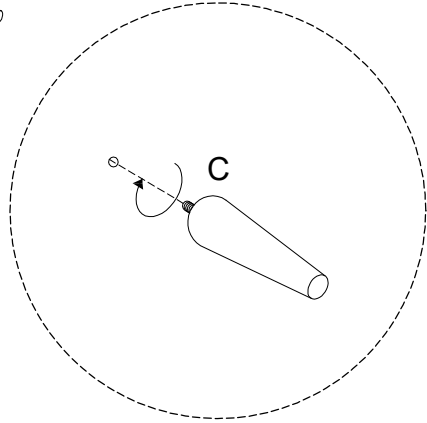
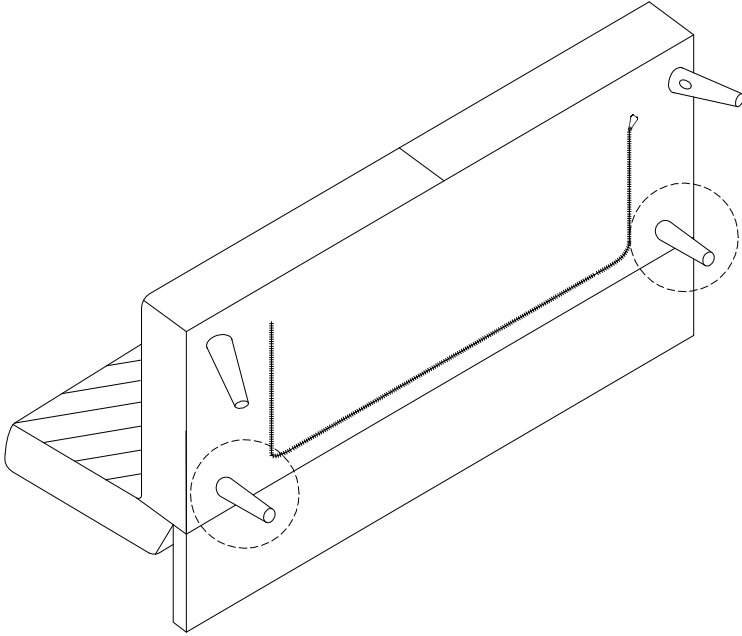


2

C



x 2



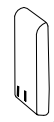
3

B1

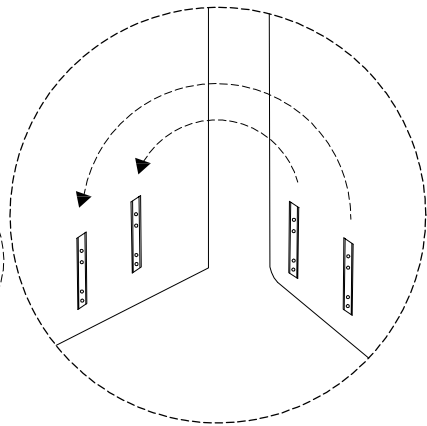
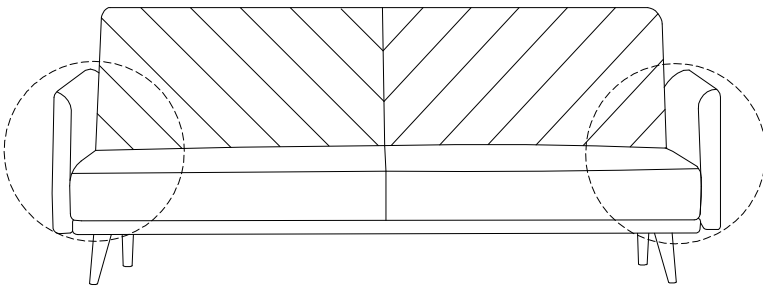


x 1

B2



x 1



4

