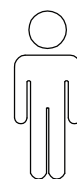
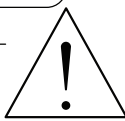
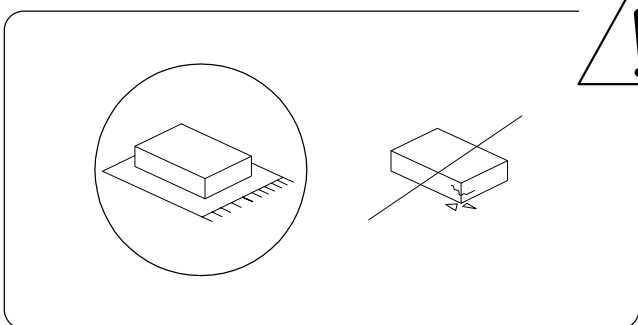
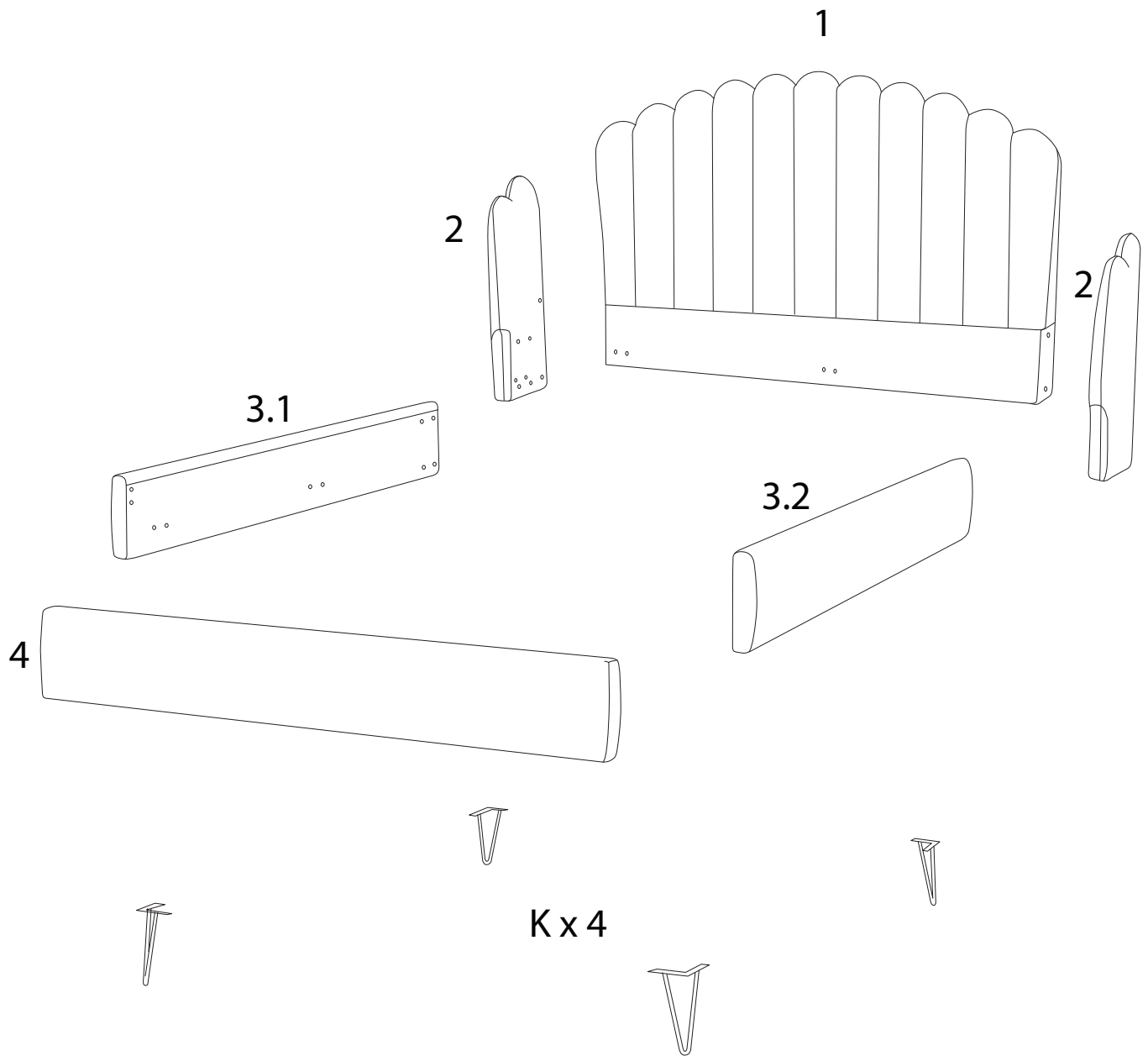


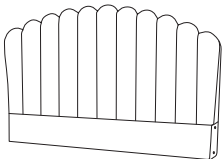

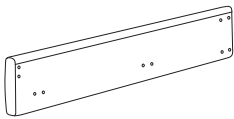
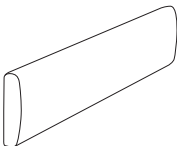

60'



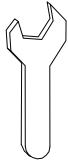
2

A



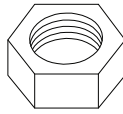
1	2	3.1	3.2	4
				
x 1	x 2	x 1	x 1	x 1

A



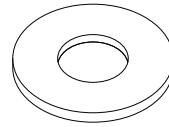
x 1

B



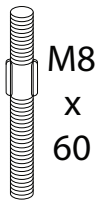
x 4

C



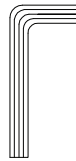
x 4

D



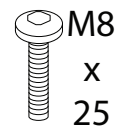
x 4

E



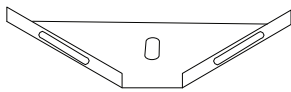
x 2

F



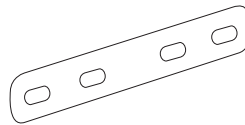
x 48

G



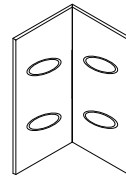
x 4

H



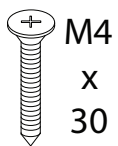
x 4

I



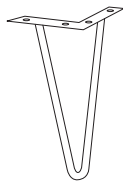
x 6

J



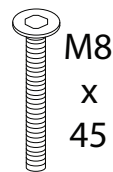
x 16

K



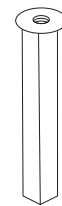
x 4

L



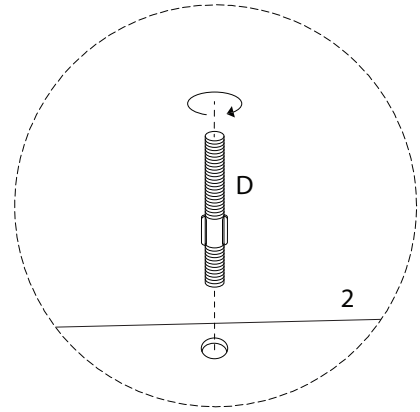
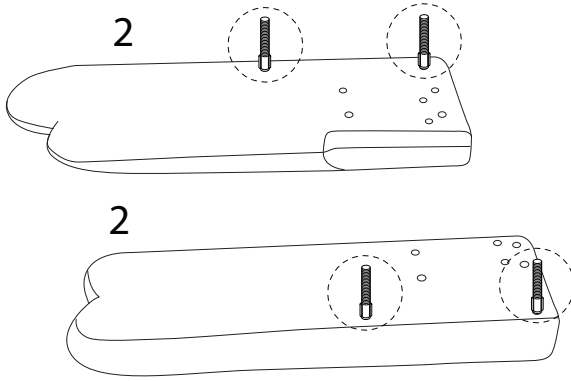
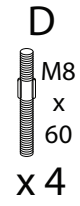
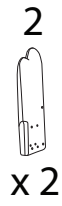
x 2

M

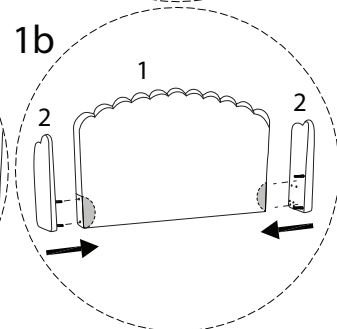
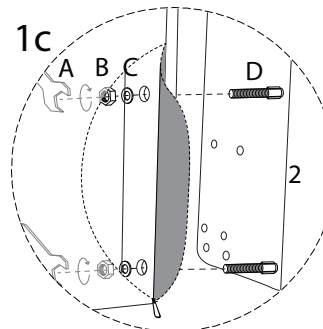
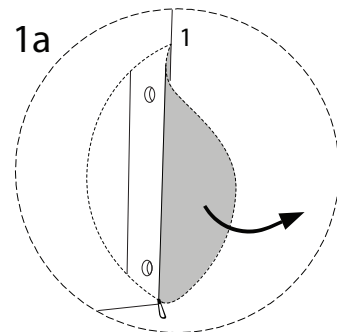
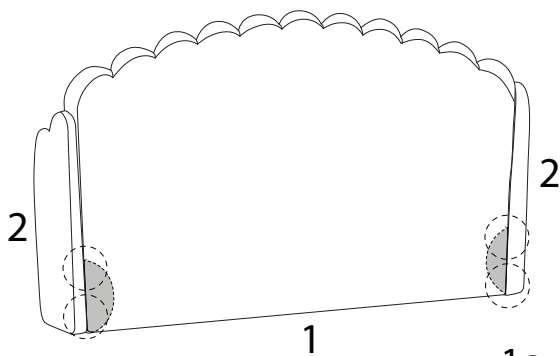
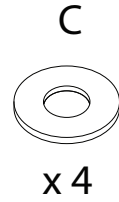
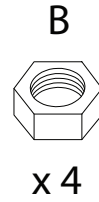
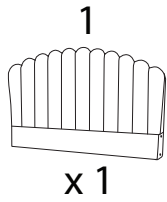


x 2

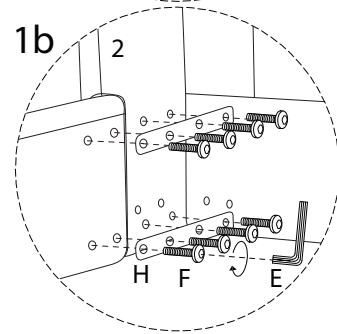
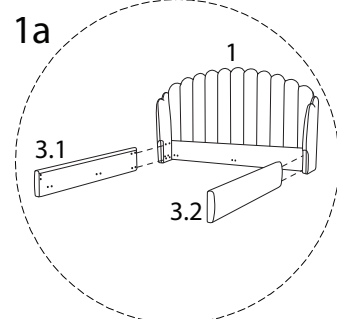
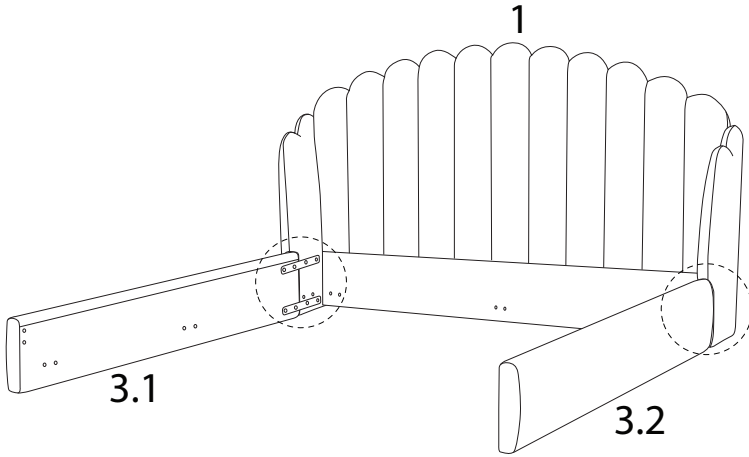
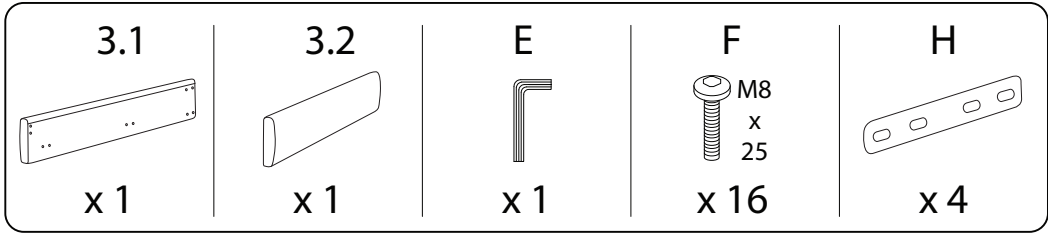
1



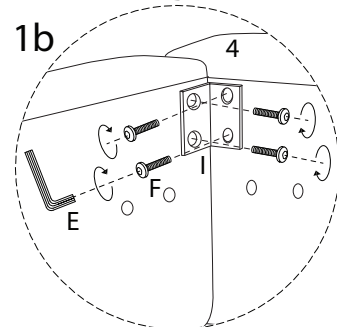
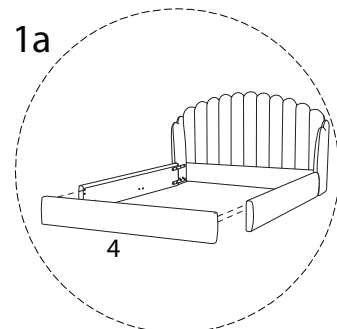
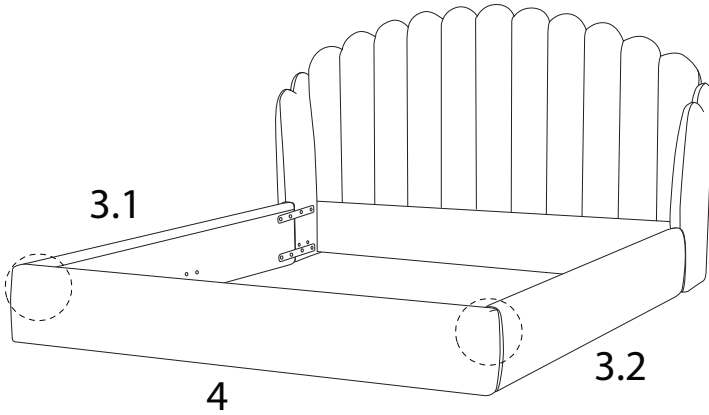
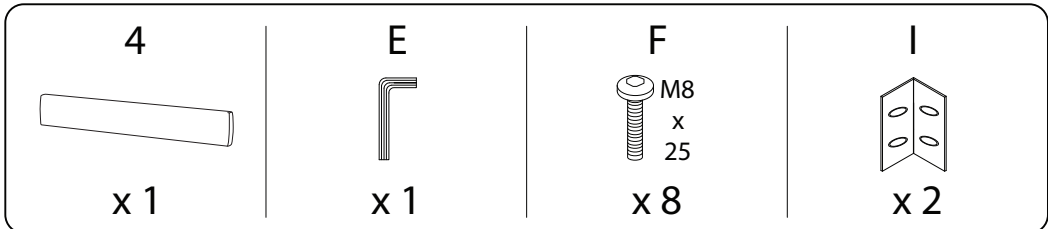
2



3



4



5

E



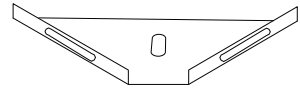
x 1

F

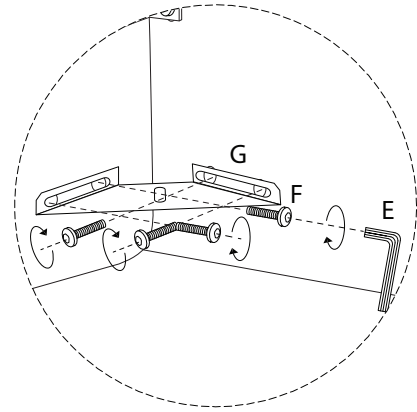
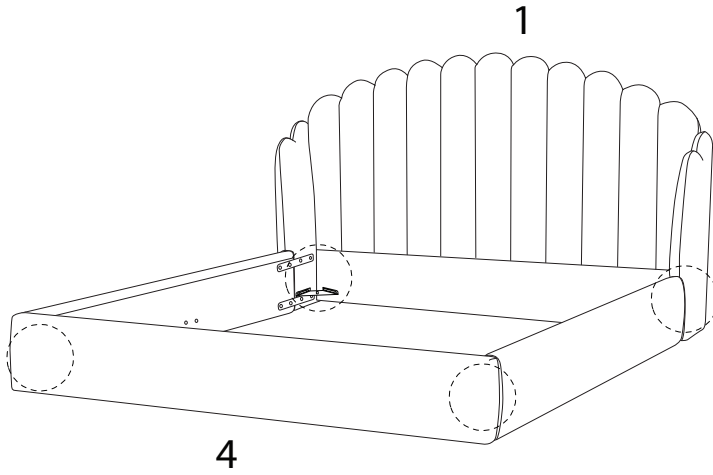


x 16

G



x 4



6

E



x 1

F

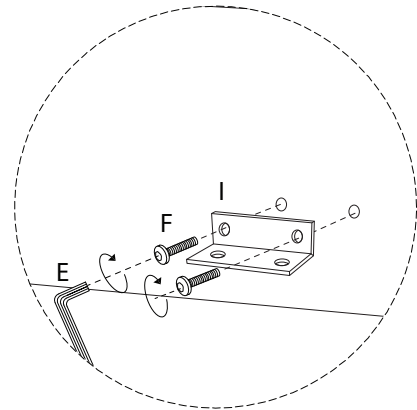
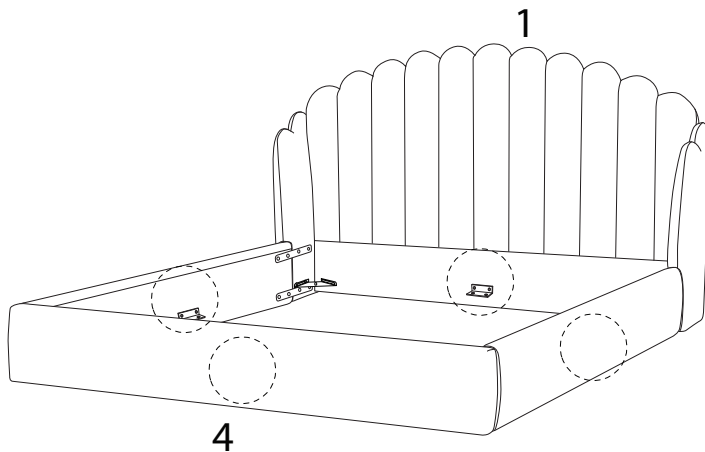


x 8

I



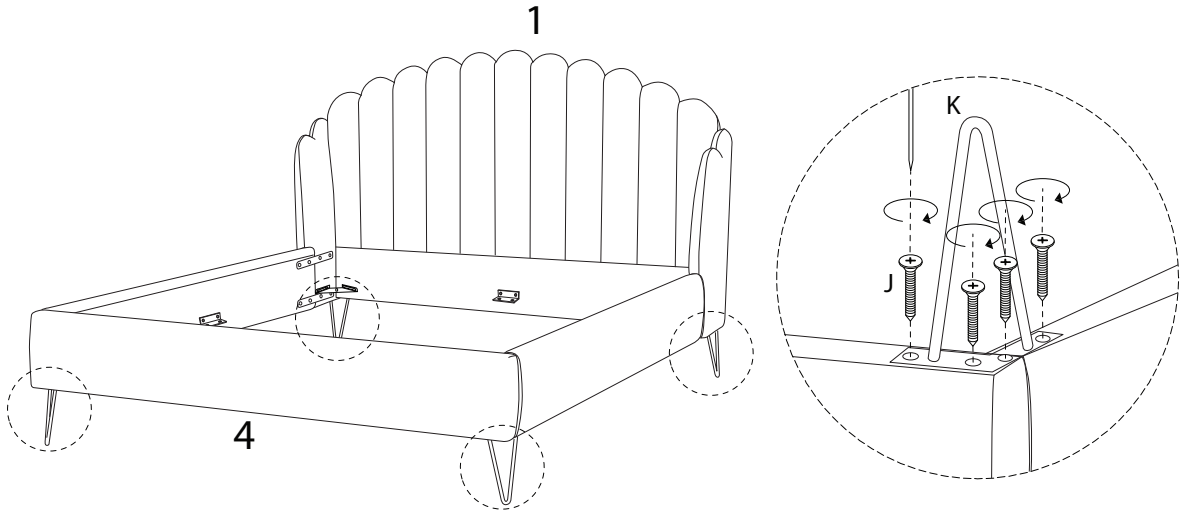
x 4



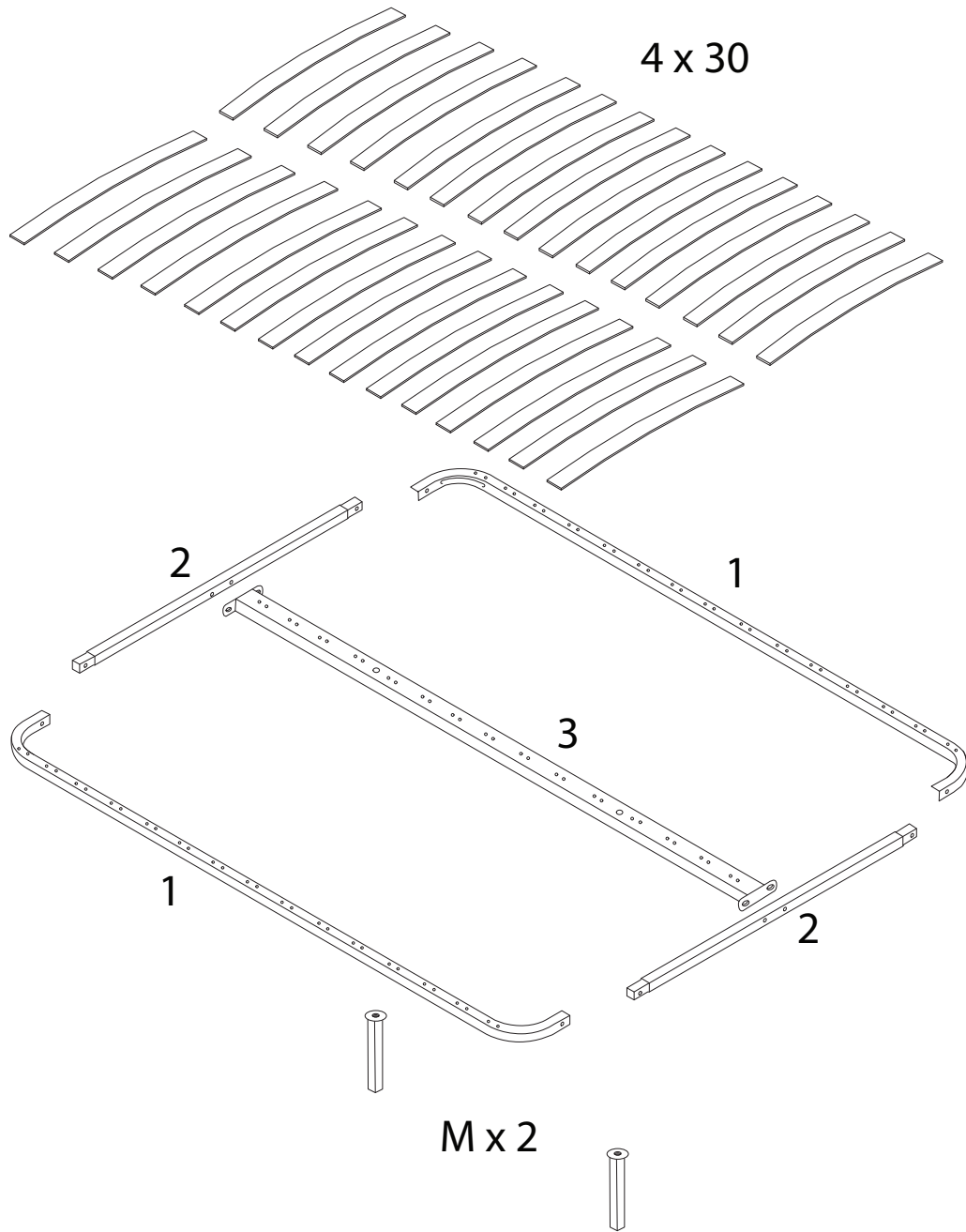
7

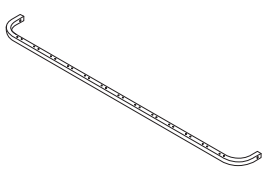
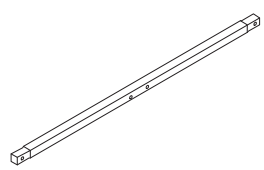
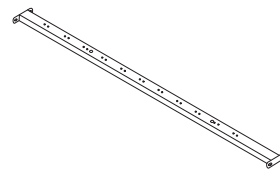
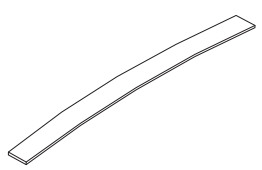
J
M4
x
30
x 16

K
x 4



B



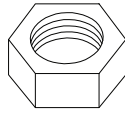
1	2	3	4
			
x 2	x 2	x 1	x 30

A



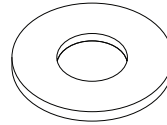
x 1

B



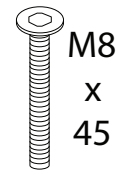
x 8

C



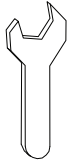
x 8

D



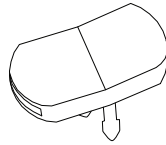
x 8

E



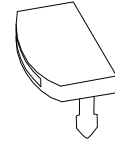
x 1

F



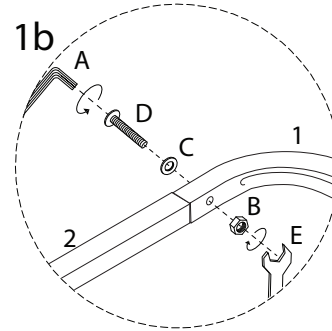
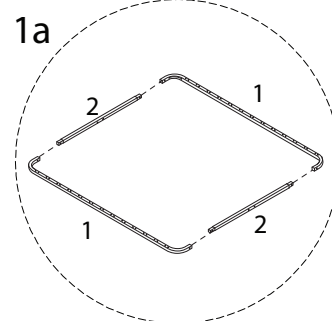
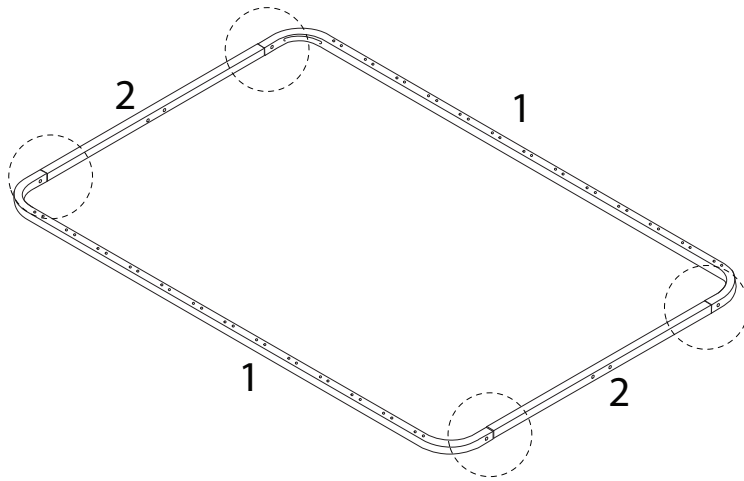
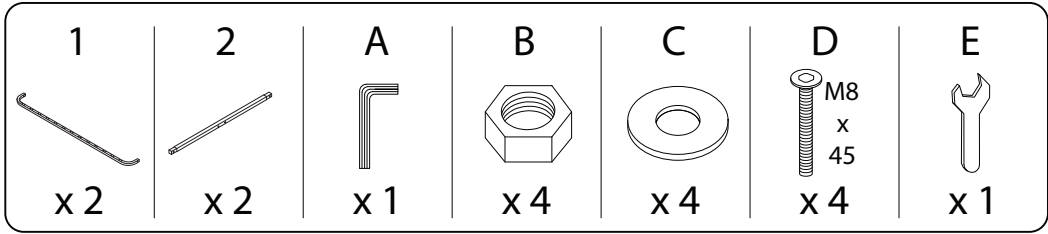
x 15

G

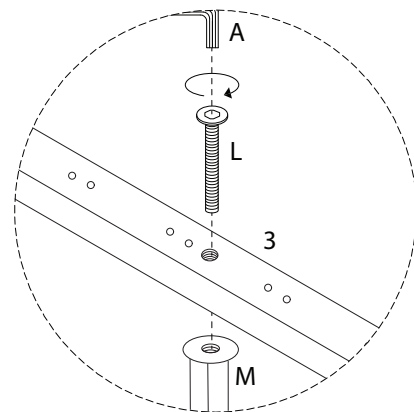
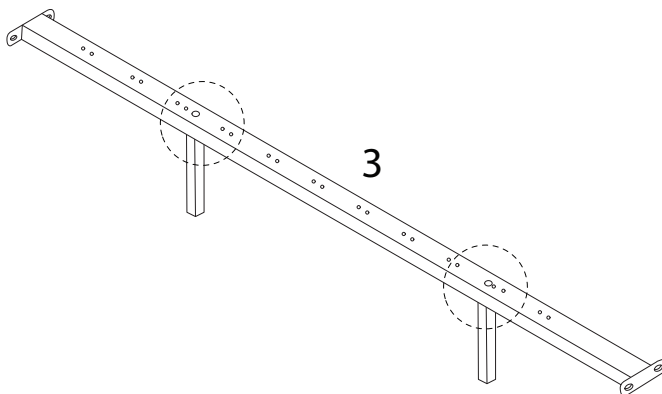
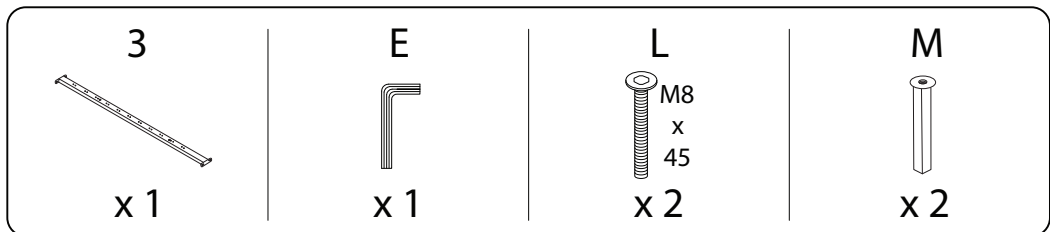


x 30

1



2



3

A



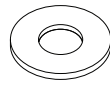
x 1

B



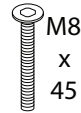
x 4

C



x 4

D

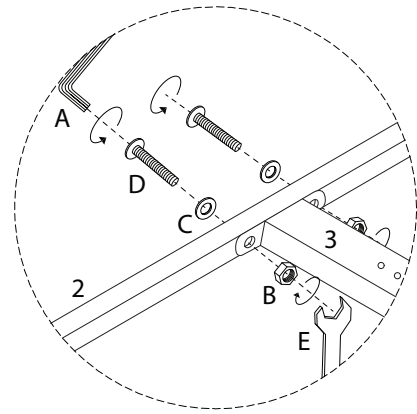
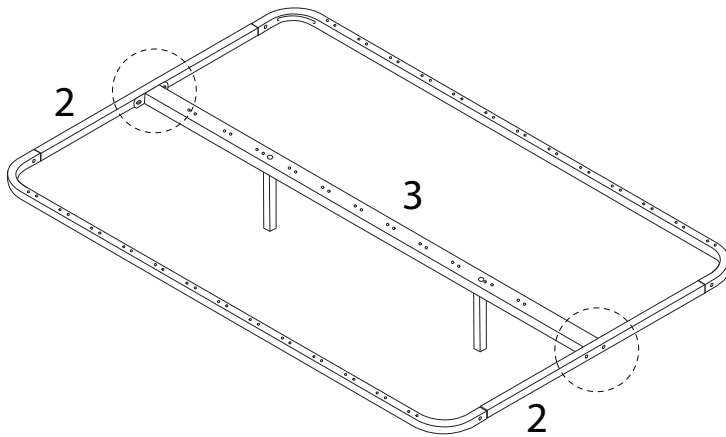


M8
x 45
x 4

E

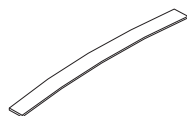


x 1



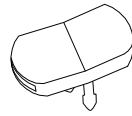
4 x 30

4



x 30

F

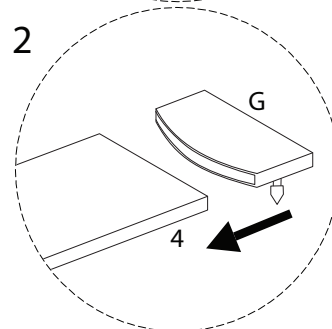
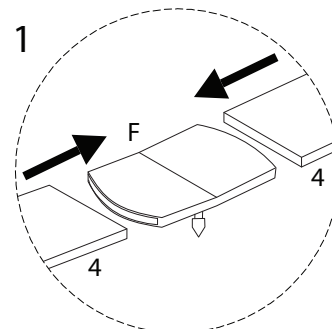
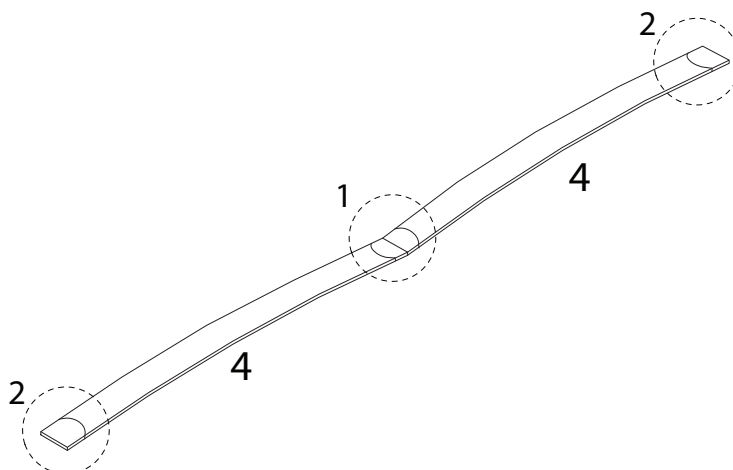


x 15

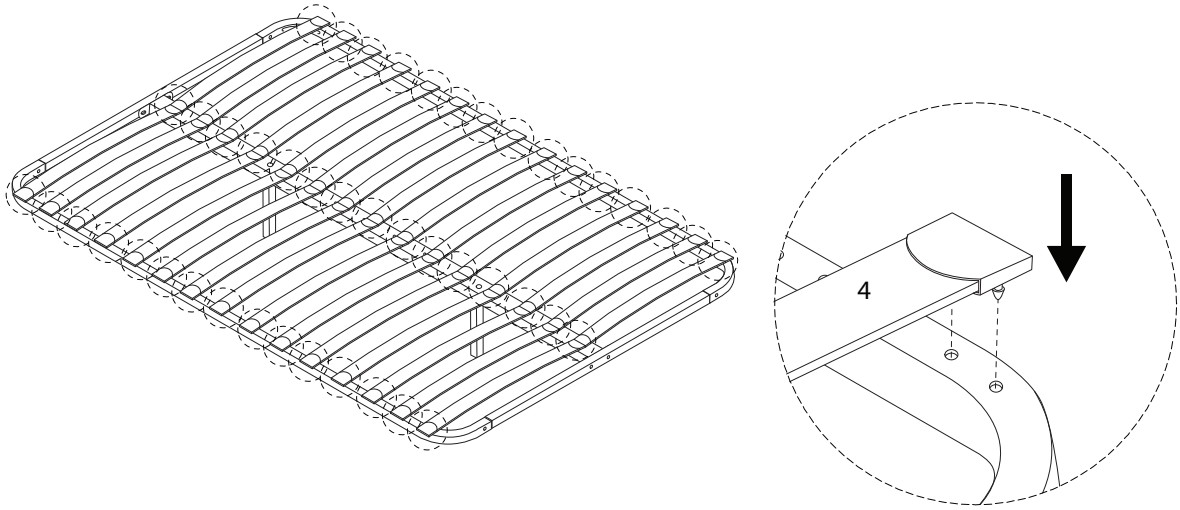
G



x 30



5



6

