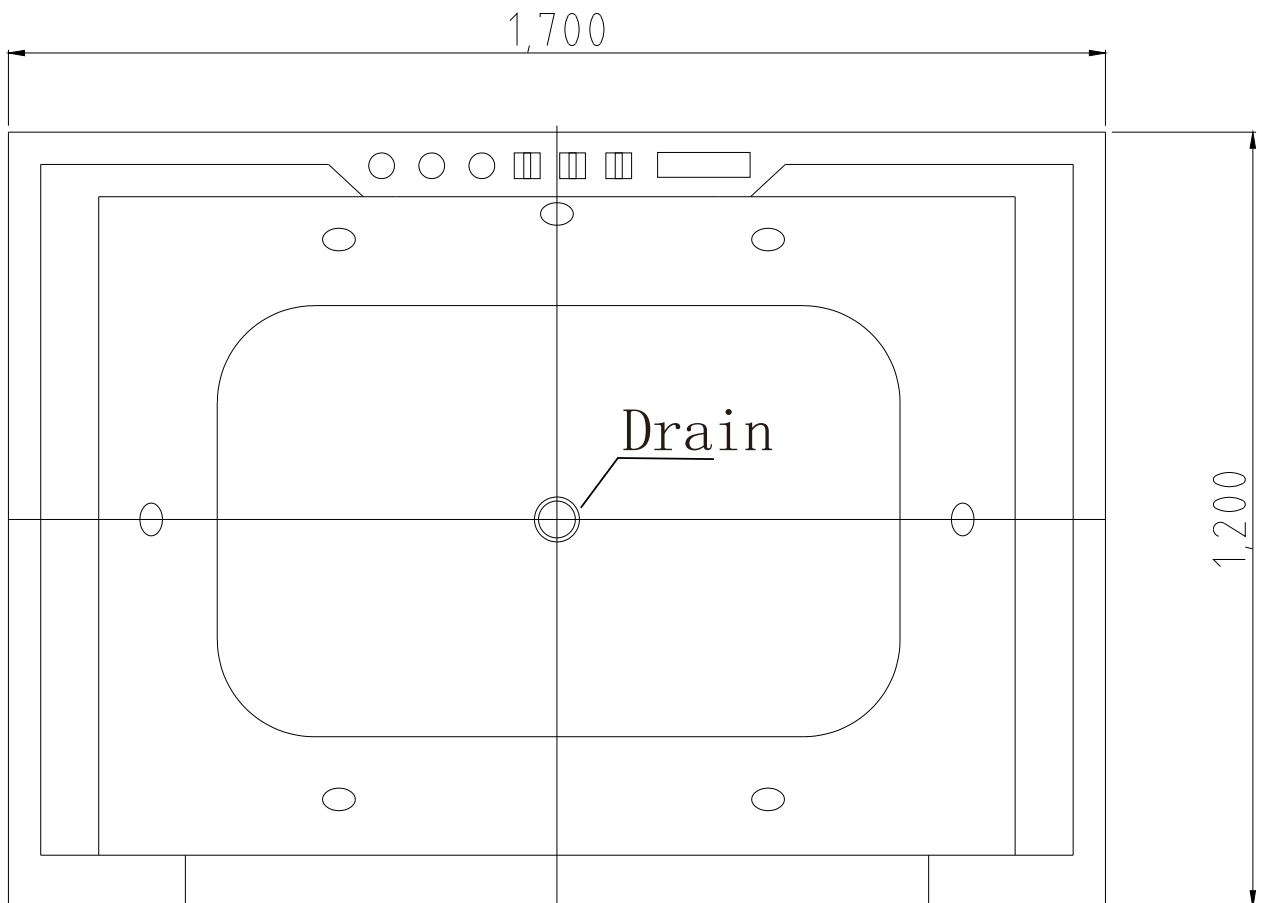
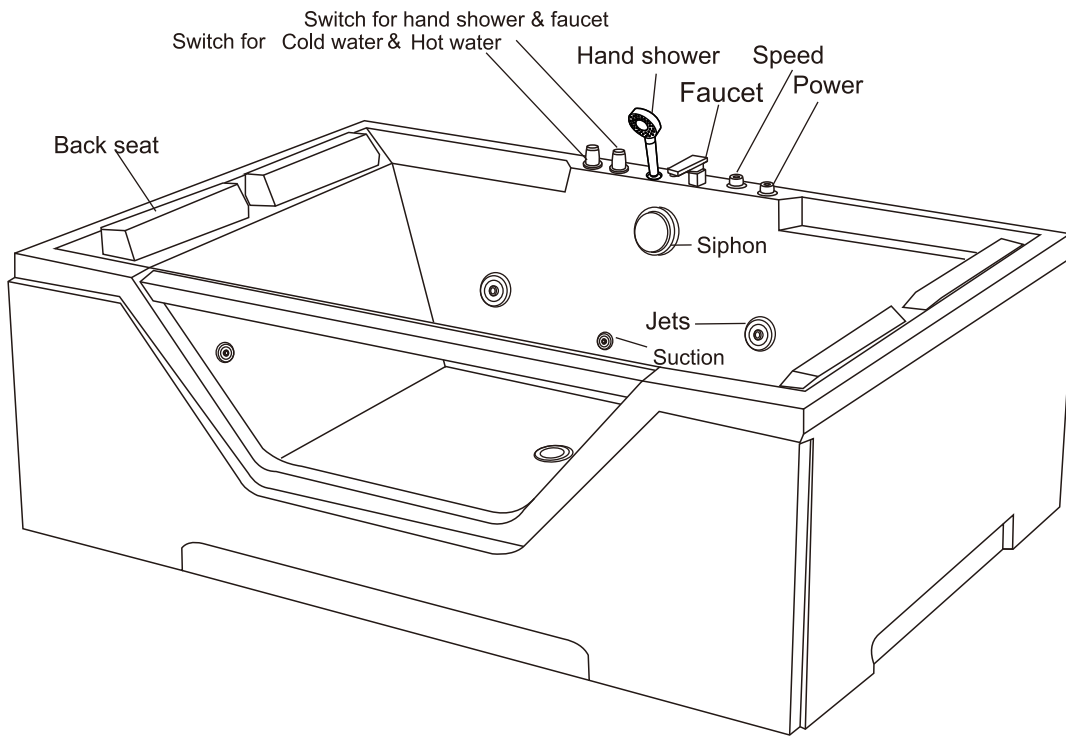
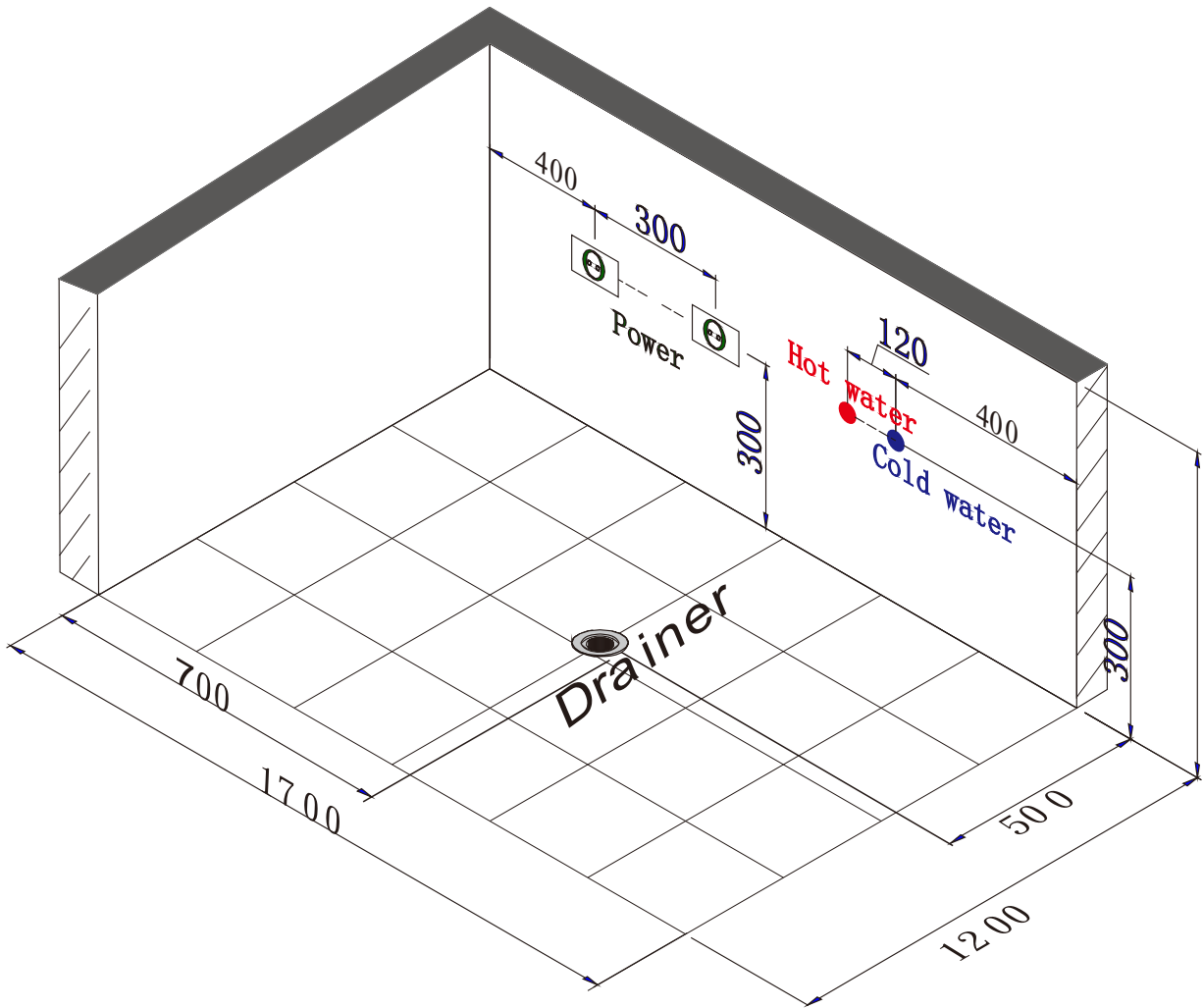



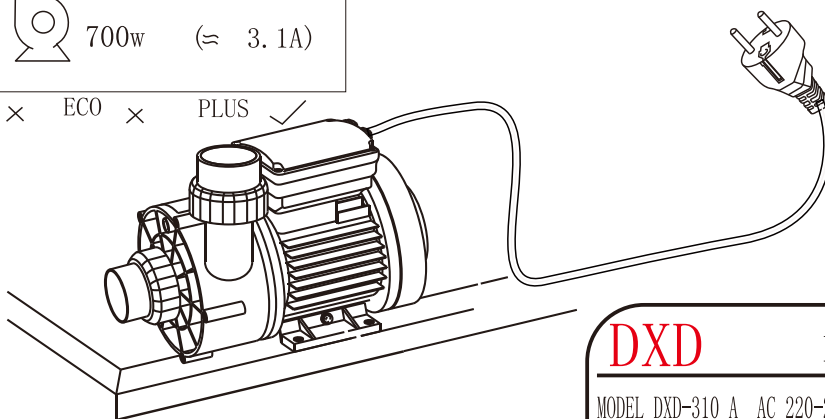
17590

1200x1700x590



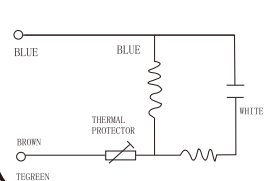





+  700w (≈ 3.1A)
 VITAL × ECO × PLUS ✓




DXD PUMP

MODEL DXD-310 A AC 220-240V 50Hz 700W CLASS B IPX5
 MAX WATER TEMPERATURE 50C 15w F/450V Hmin 1m




 Mround properly!
 Do Not Start Pump
 Without Water!

