








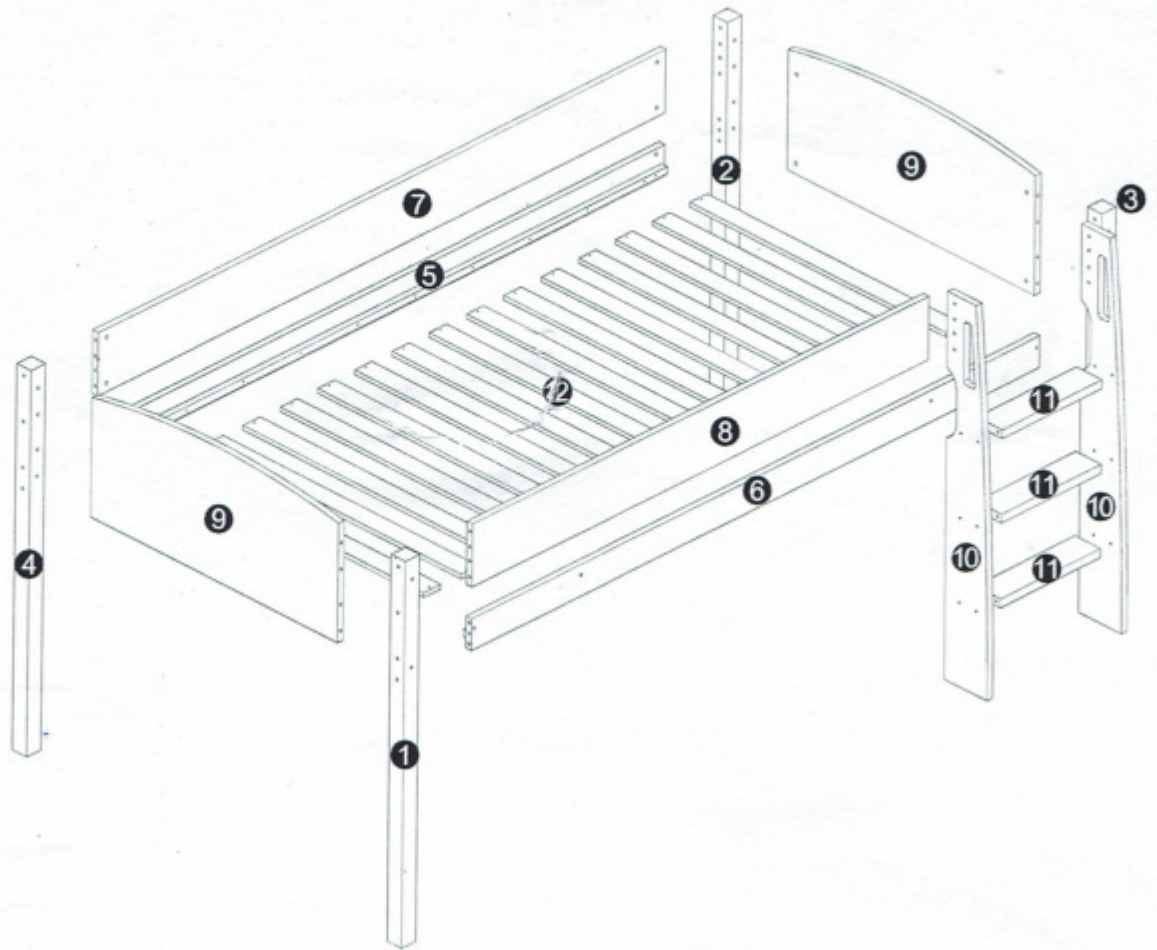
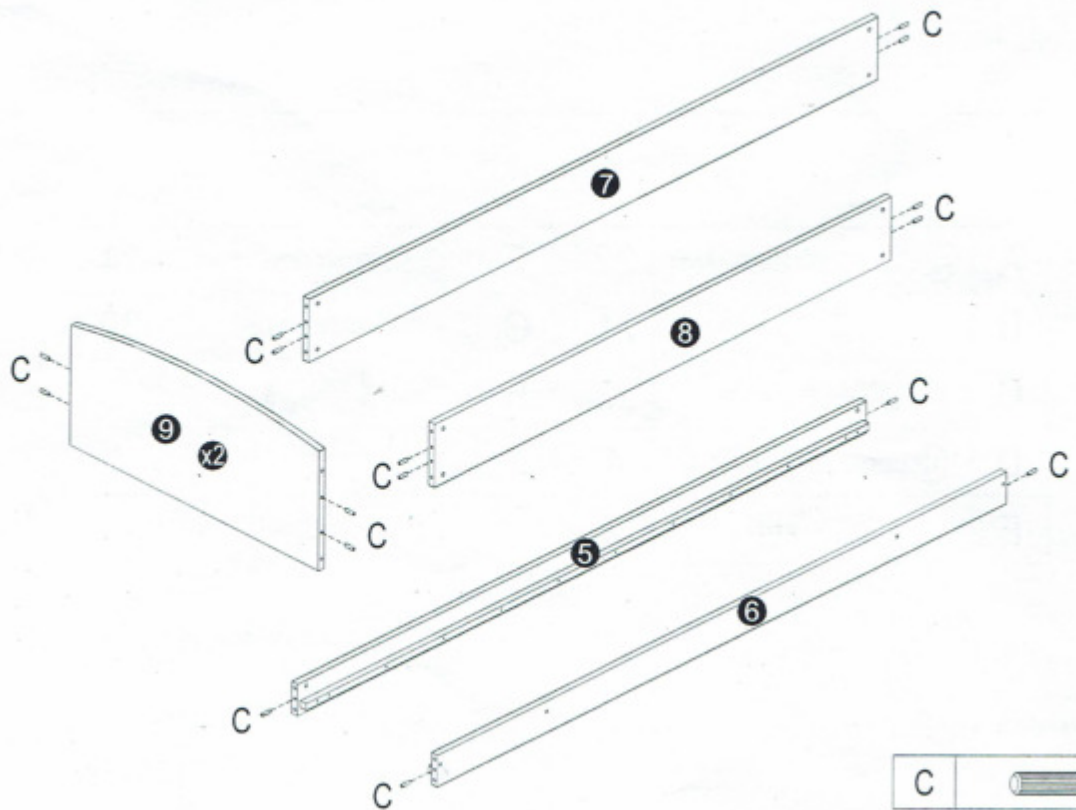


A		M6x90	22
B			24
C		Ø8x30	22
D		M6x60	4
E		Ø8x20	2

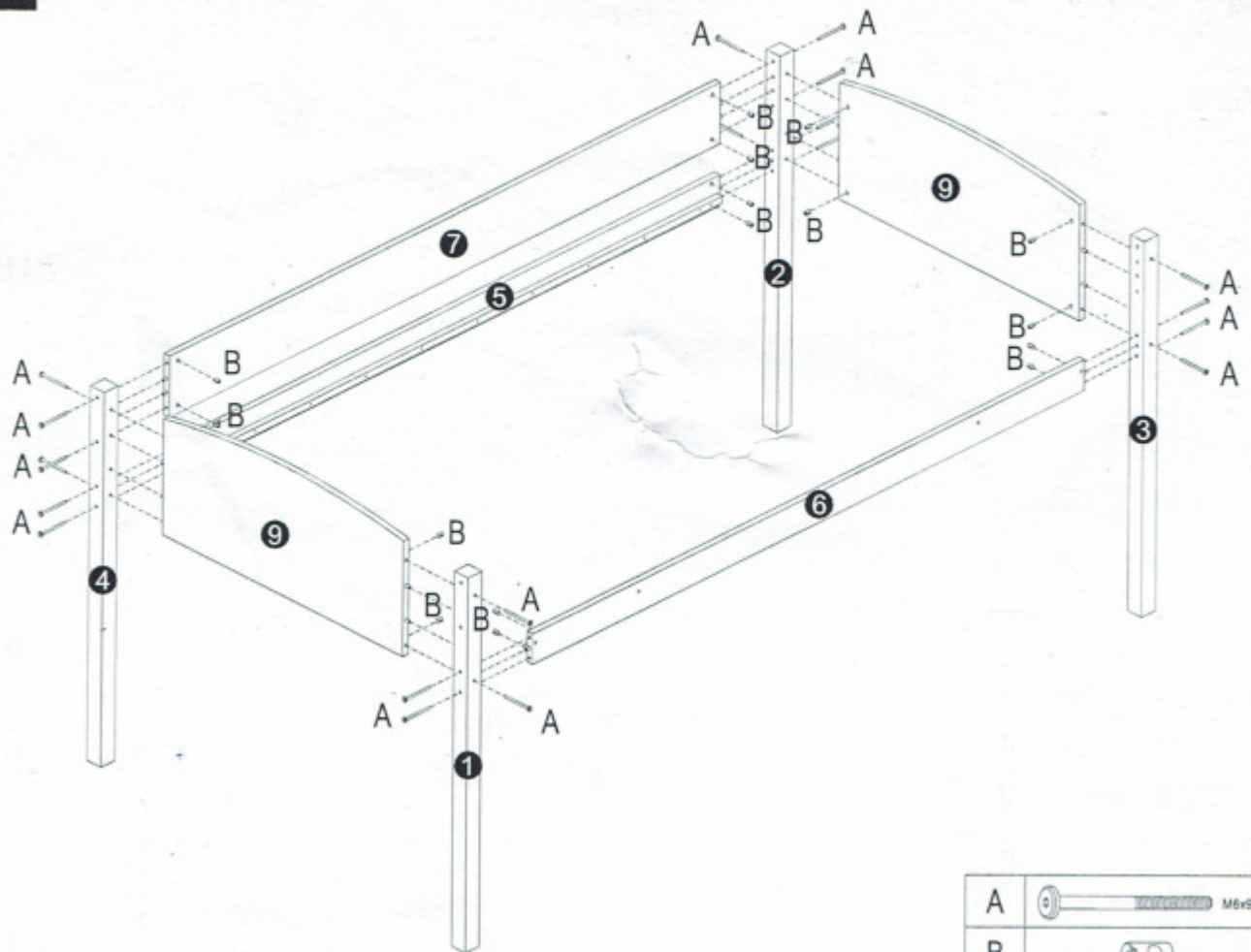
F		Ø6x70	14
G		Ø4x30	30
H			1
J			4





STEP 1

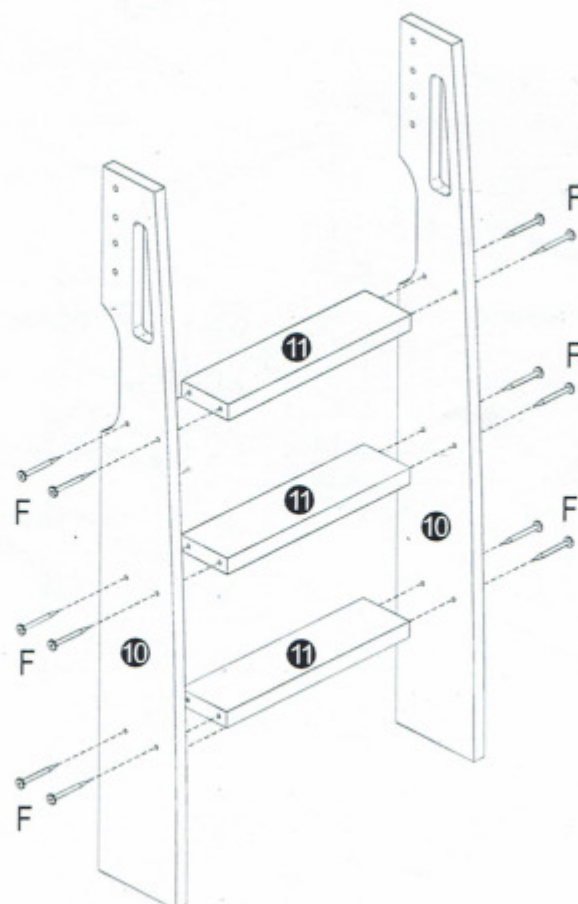


STEP 2



A		M6x60	20
B			20

STEP 3

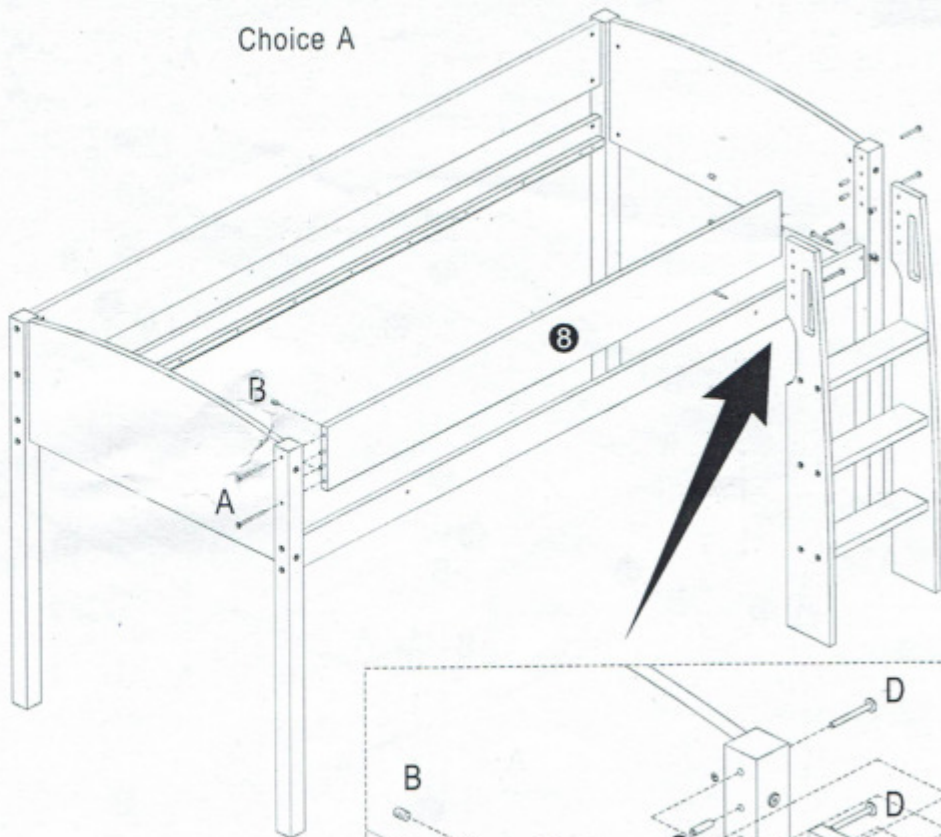
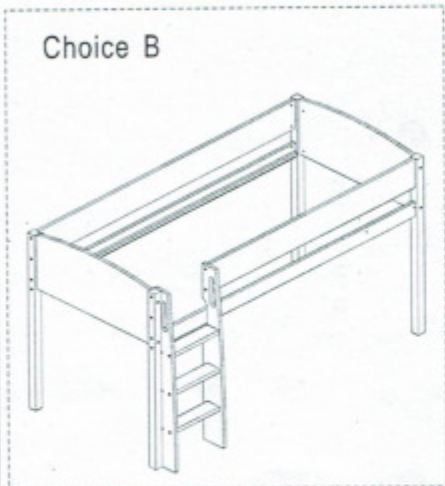








F		Ø6x70	12
---	---	-------	----

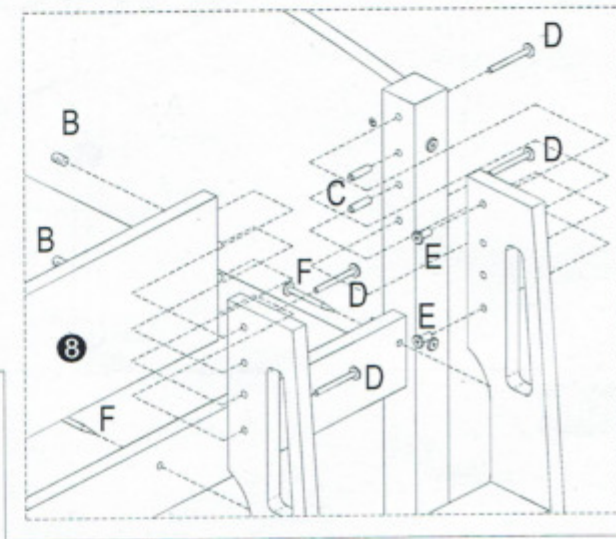
STEP 4

Choice A

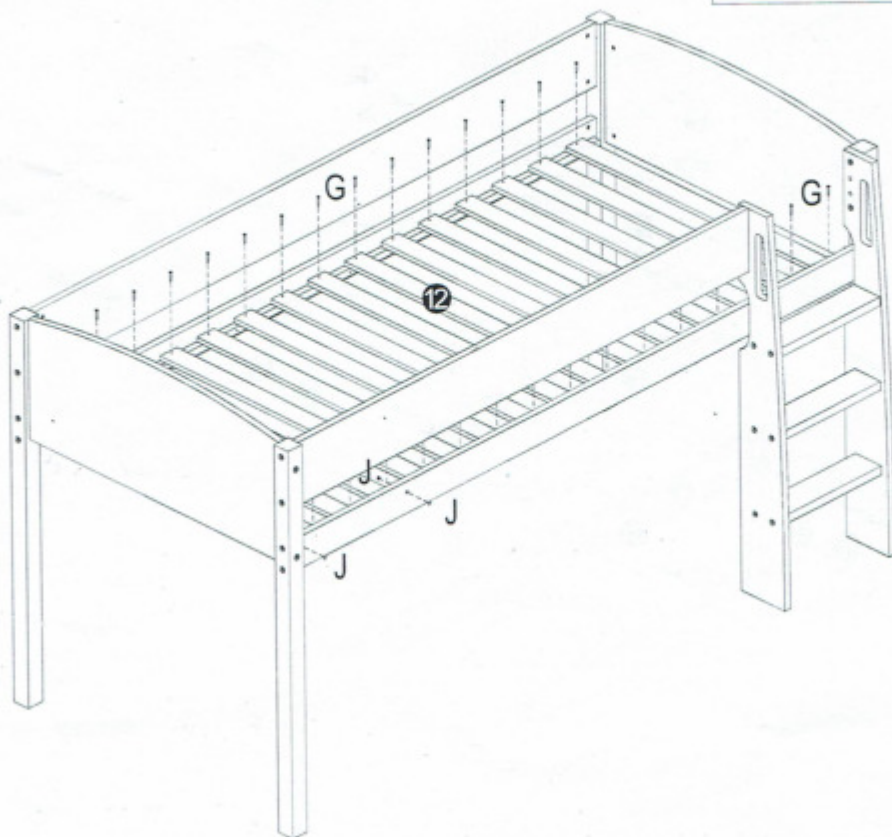
Choice B





A		M6x90	2
B			4
C		Φ8x30	2
D		M6x80	4
E		Φ8x20	2
F		Φ6x70	2



STEP 5



G		Φ4x30	3
J			4