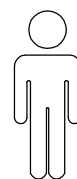
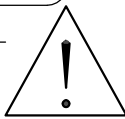
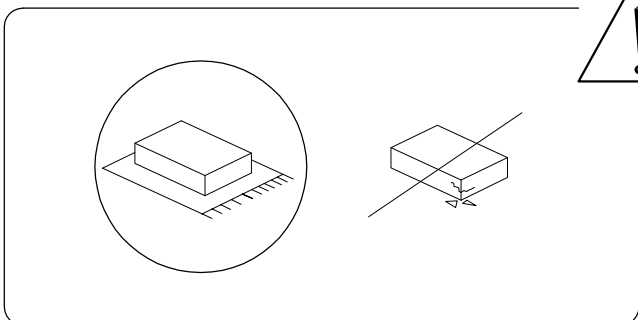
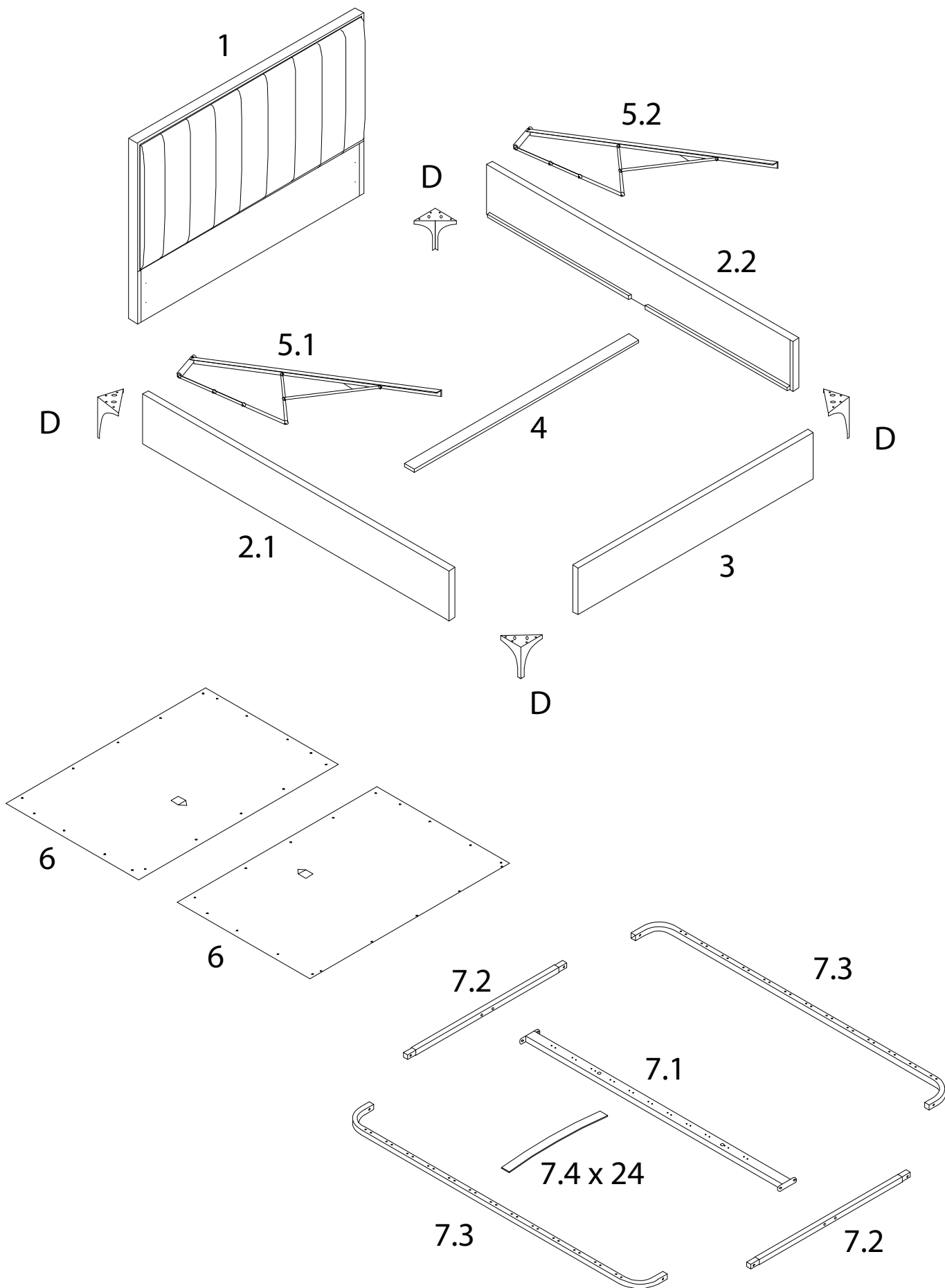
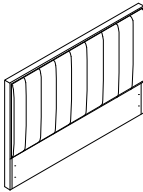
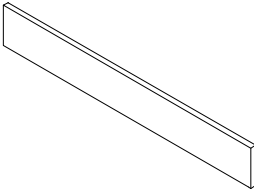
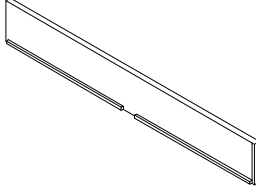
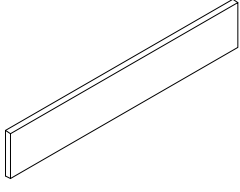
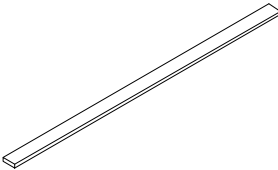
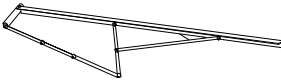
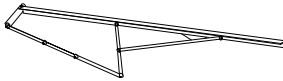
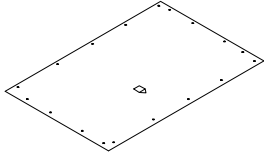
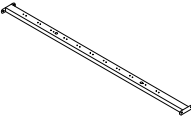
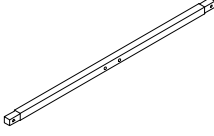
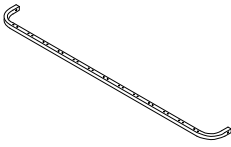
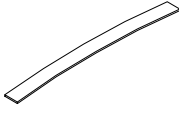

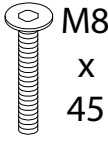
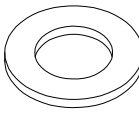
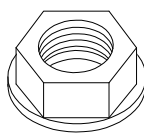
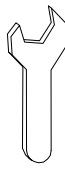

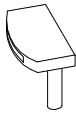
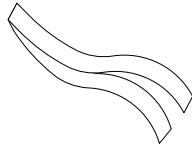


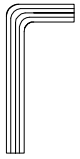

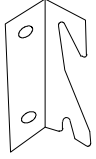
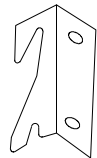
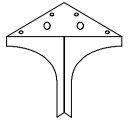
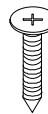

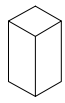
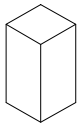
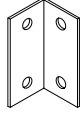
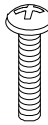
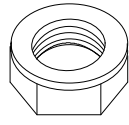
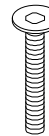

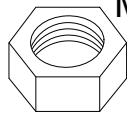
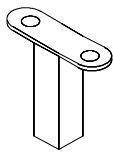
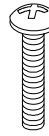

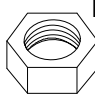
60'



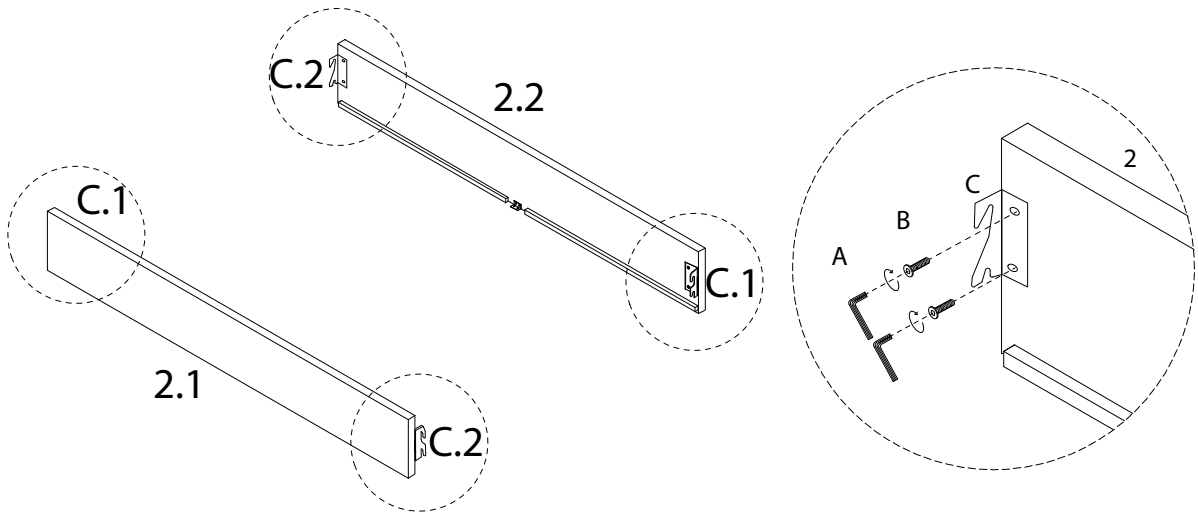
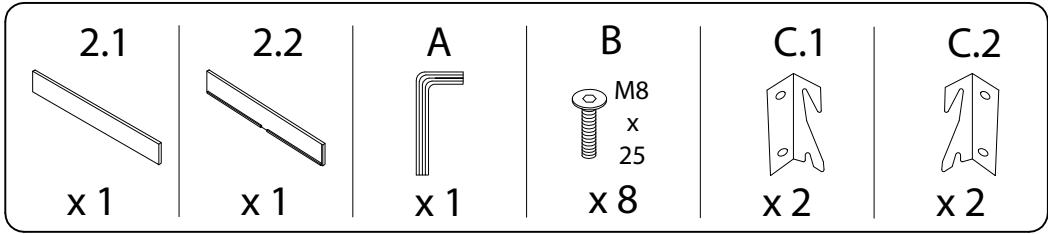
2



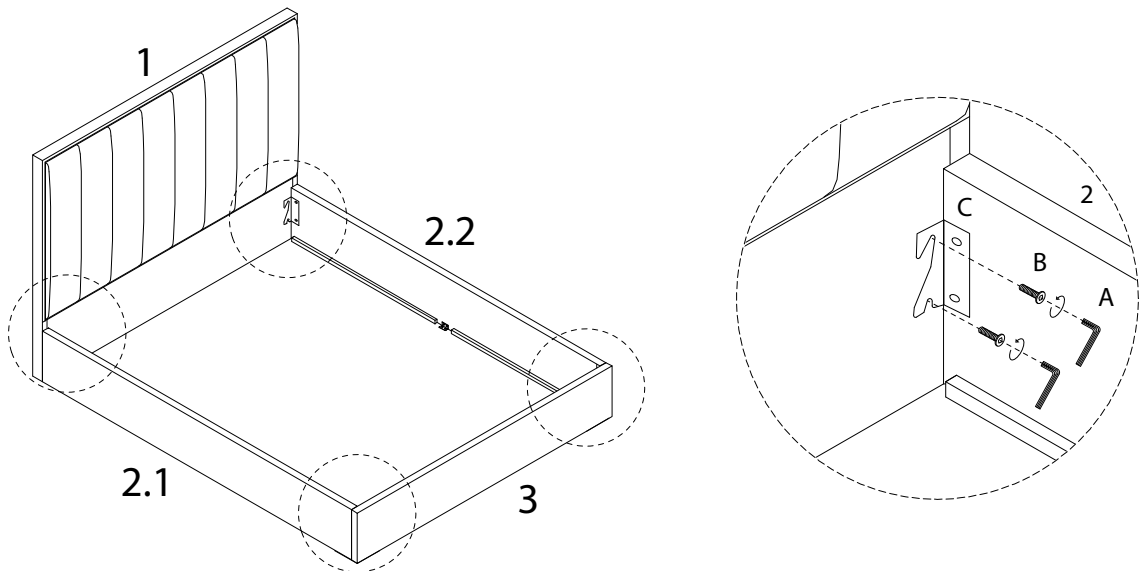
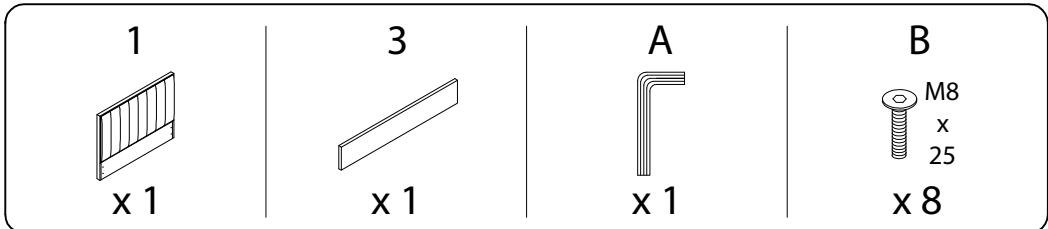
<p>1</p>  <p>x 1</p>	<p>2.1</p>  <p>x 1</p>	<p>2.2</p>  <p>x 1</p>	<p>3</p>  <p>x 1</p>
<p>4</p>  <p>x 1</p>	<p>5.1</p>  <p>x 1</p>	<p>5.2</p>  <p>x 1</p>	<p>6</p>  <p>x 2</p>
<p>7.1</p>  <p>x 1</p>	<p>7.2</p>  <p>x 2</p>	<p>7.3</p>  <p>x 2</p>	<p>7.4</p>  <p>x 24</p>
<p>7.a</p>  <p>x 1</p>	<p>7.b</p>  <p>M8 x 45</p> <p>x 8</p>	<p>7.c</p>  <p>x 8</p>	<p>7.d</p>  <p>x 8</p>
<p>7.e</p>  <p>x 1</p>	<p>7.f</p>  <p>x 12</p>	<p>7.g</p>  <p>x 24</p>	<p>7.h</p>  <p>x 1</p>

<p style="text-align: center;">A</p>  <p style="text-align: center;">x 1</p>	<p style="text-align: center;">B</p>  <p style="text-align: center;">M8 x 25</p> <p style="text-align: center;">x 24</p>	<p style="text-align: center;">C.1</p>  <p style="text-align: center;">x 2</p>	
<p style="text-align: center;">C.2</p>  <p style="text-align: center;">x 2</p>	<p style="text-align: center;">D</p>  <p style="text-align: center;">x 4</p>	<p style="text-align: center;">E</p>  <p style="text-align: center;">M4 x 25</p> <p style="text-align: center;">x 22</p>	<p style="text-align: center;">F</p>  <p style="text-align: center;">M3 x 20</p> <p style="text-align: center;">x 40</p>
<p style="text-align: center;">G</p>  <p style="text-align: center;">x 1</p>	<p style="text-align: center;">H</p>  <p style="text-align: center;">x 2</p>	<p style="text-align: center;">I</p>  <p style="text-align: center;">x 4</p>	<p style="text-align: center;">J</p>  <p style="text-align: center;">M6 x 30</p> <p style="text-align: center;">x 8</p>
<p style="text-align: center;">K</p>  <p style="text-align: center;">x 2</p>	<p style="text-align: center;">L</p>  <p style="text-align: center;">M8 x 45</p> <p style="text-align: center;">x 4</p>	<p style="text-align: center;">M</p>  <p style="text-align: center;">M8</p> <p style="text-align: center;">x 4</p>	<p style="text-align: center;">N</p>  <p style="text-align: center;">M8</p> <p style="text-align: center;">x 4</p>
<p style="text-align: center;">O</p>  <p style="text-align: center;">x 2</p>	<p style="text-align: center;">P</p>  <p style="text-align: center;">M6 x 45</p> <p style="text-align: center;">x 6</p>	<p style="text-align: center;">Q</p>  <p style="text-align: center;">M6</p> <p style="text-align: center;">x 6</p>	<p style="text-align: center;">R</p>  <p style="text-align: center;">M6</p> <p style="text-align: center;">x 6</p>

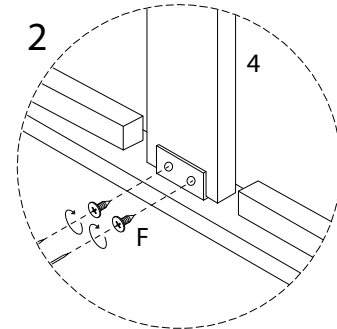
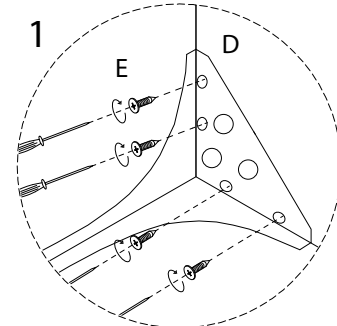
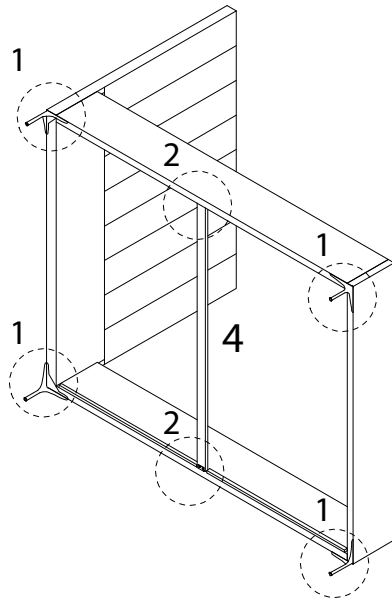
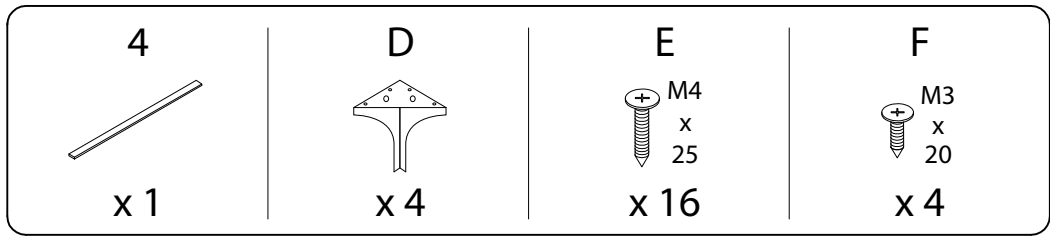
1



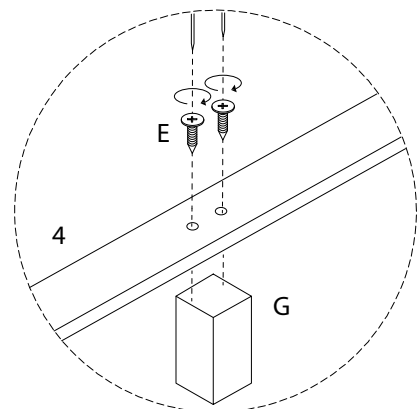
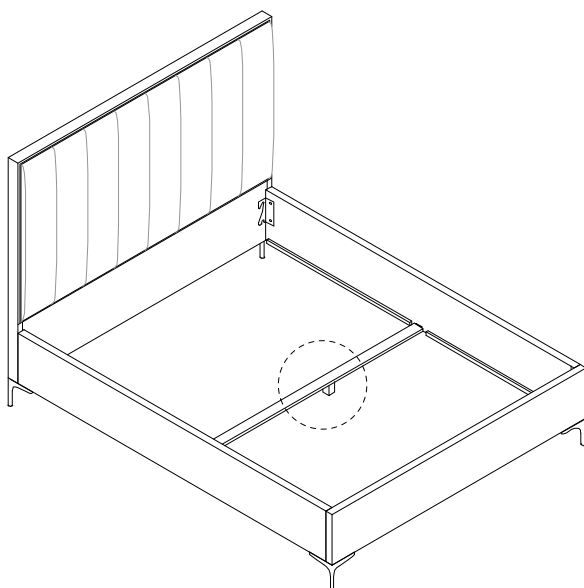
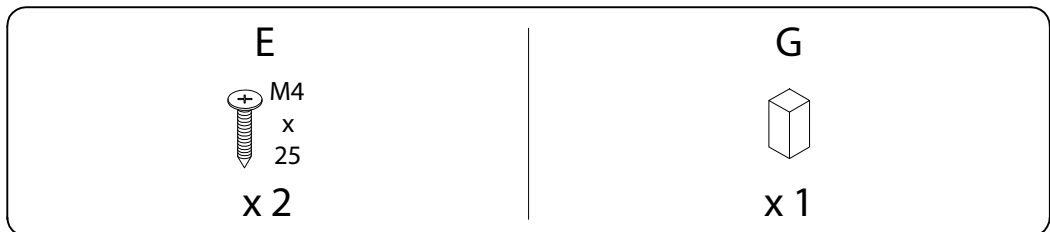
2



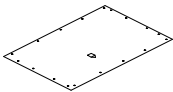
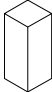
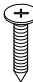
3

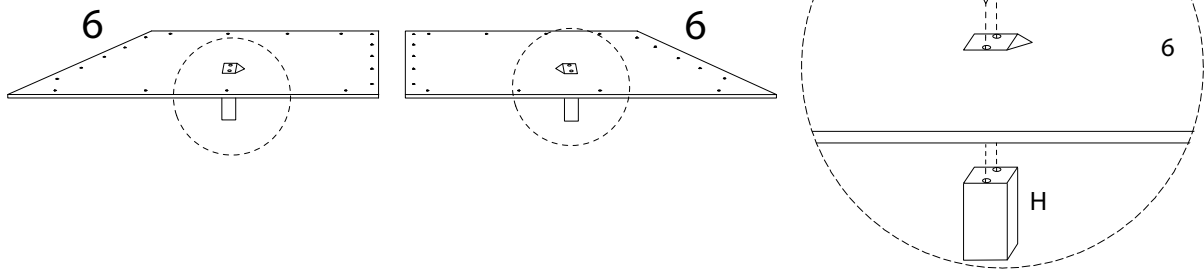


4



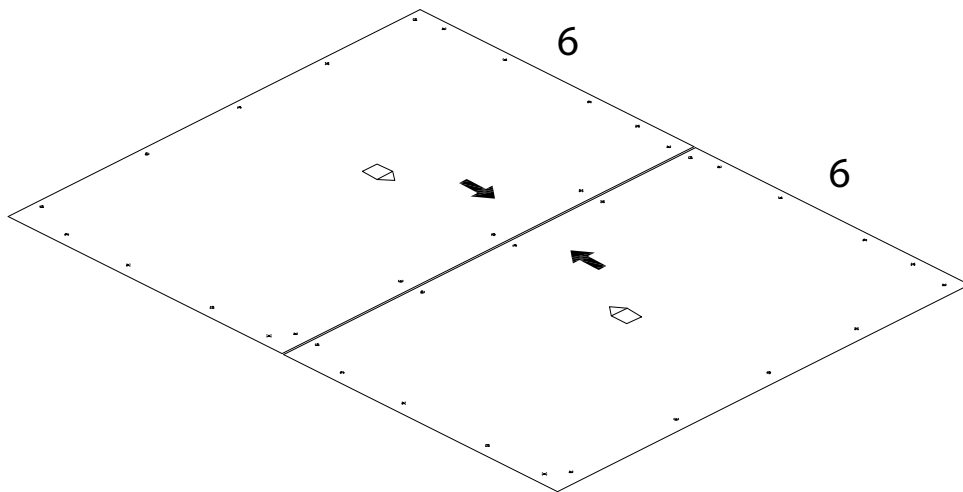
5

<p>6</p>  <p>x 2</p>	<p>H</p>  <p>x 2</p>	<p>E</p>  <p>M4 x 25</p> <p>x 4</p>
---	---	--



The diagram shows two diamond-shaped panels (6) with a rectangular block (H) being attached to their center. A circular inset provides a magnified view of the screw (E) being inserted into the hole in the panel and secured with the block (H).

!



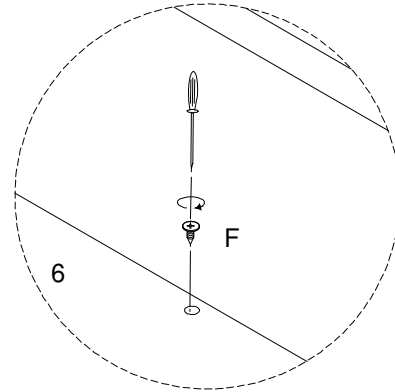
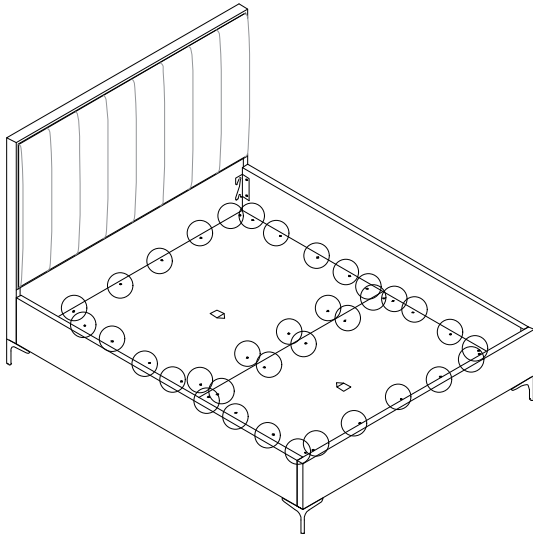
A large diamond-shaped panel (6) is shown with two arrows pointing to the center, indicating the location where the assembly should be performed. The panel is labeled with '6' on two of its sides.

6

F

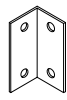


x 36



7

I

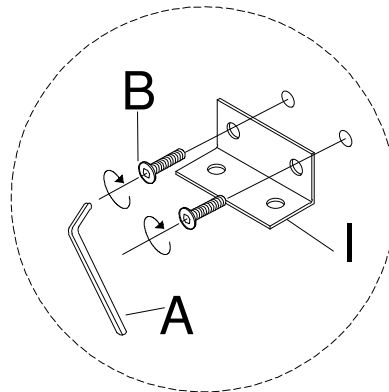
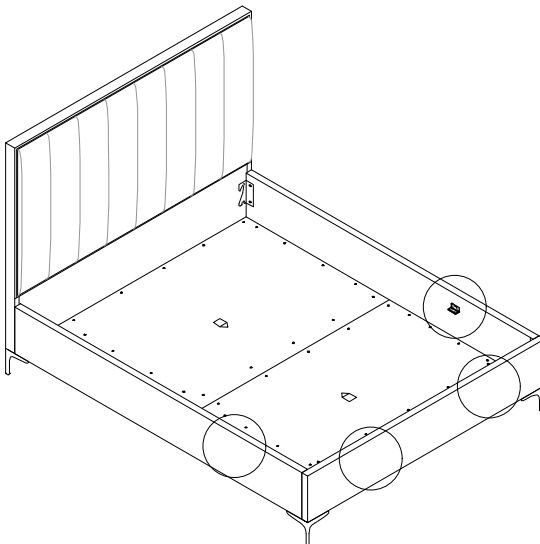


x 4

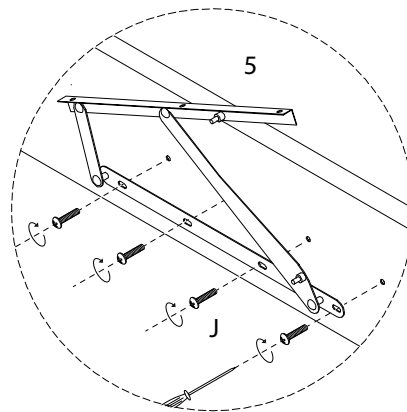
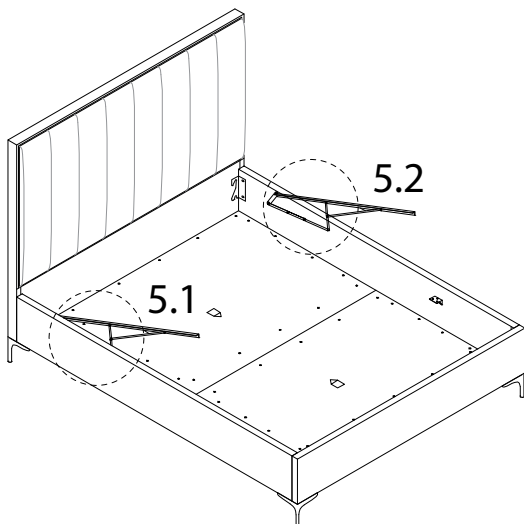
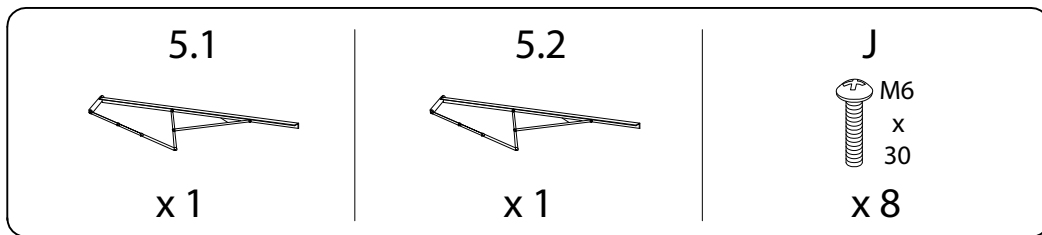
B



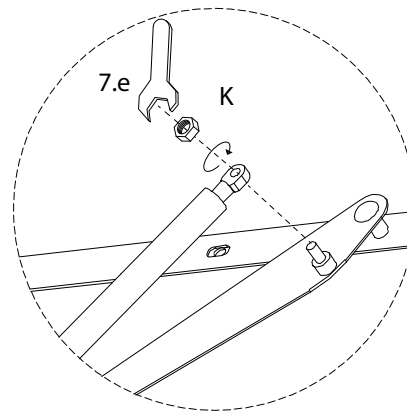
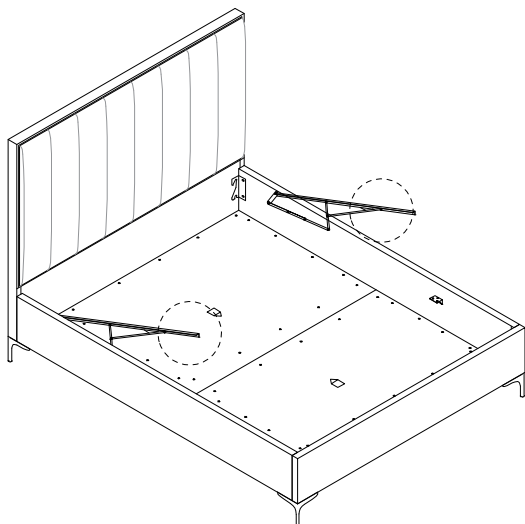
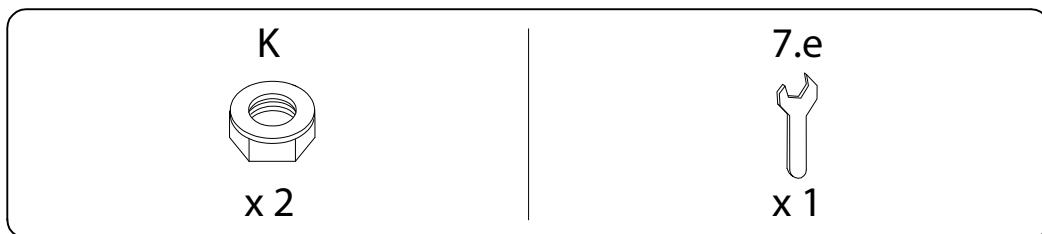
x 8



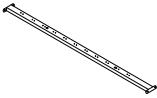
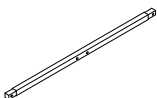
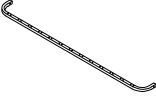
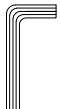
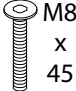

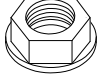

8

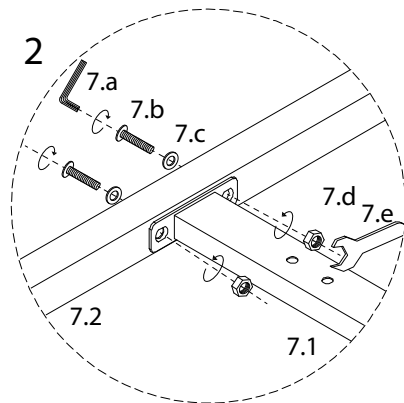
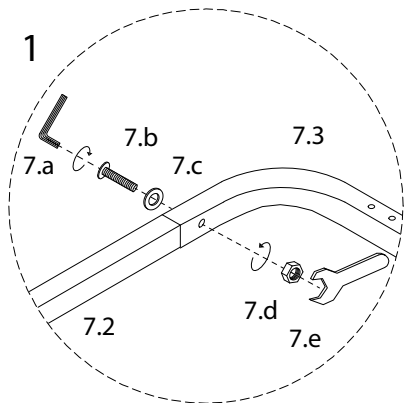
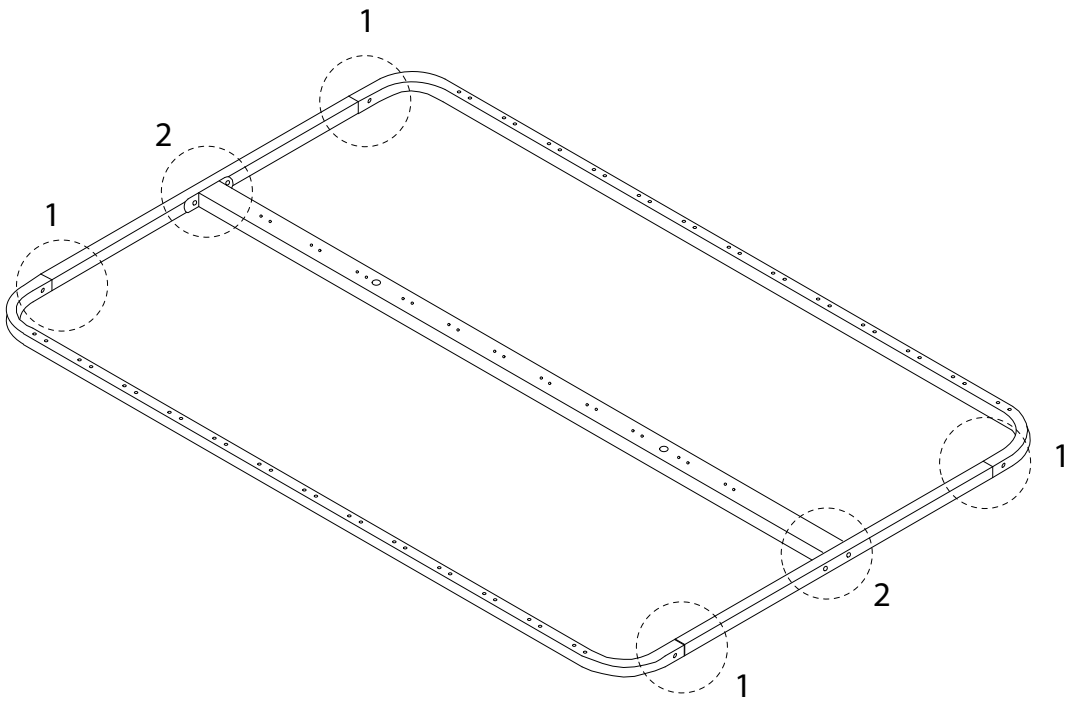


9

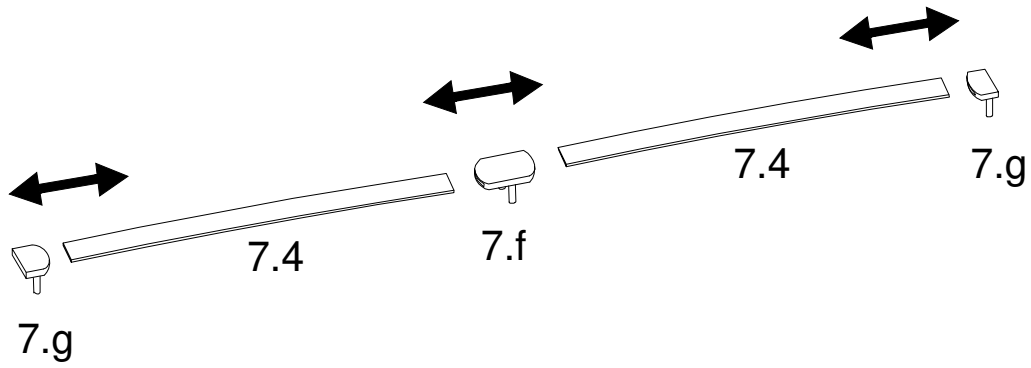
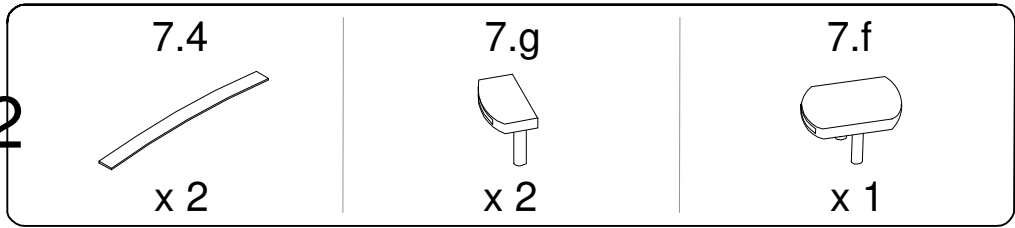


10

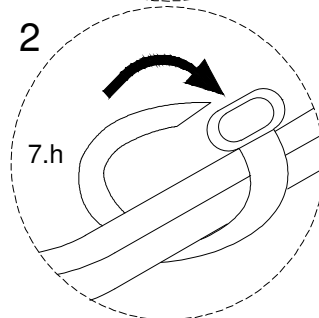
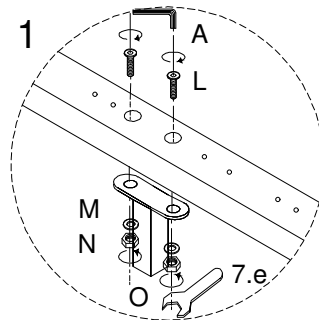
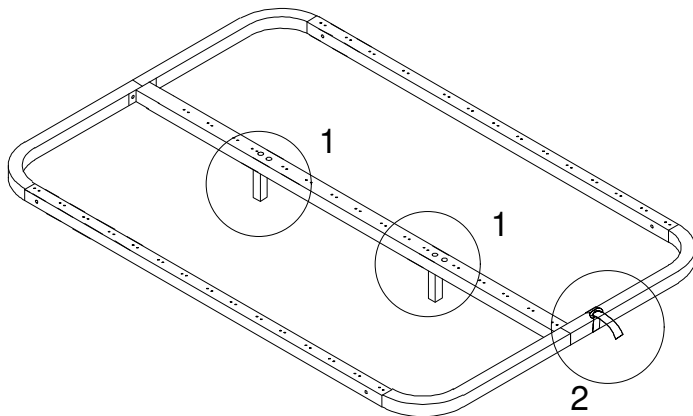
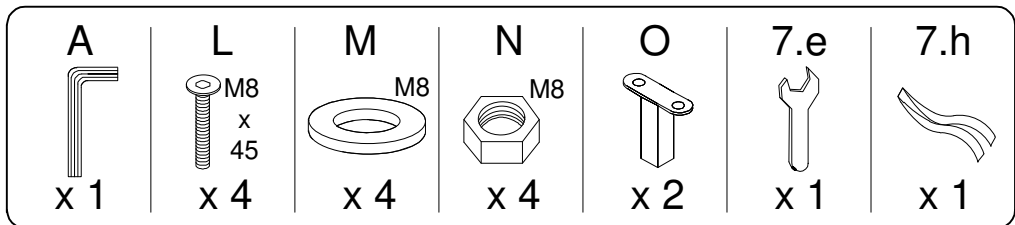
 <p>7.1 x 1</p>	 <p>7.2 x 2</p>	 <p>7.3 x 2</p>	 <p>7.a x 1</p>
 <p>7.b M8 x 45 x 8</p>	 <p>7.c x 8</p>	 <p>7.d x 8</p>	 <p>7.e x 1</p>



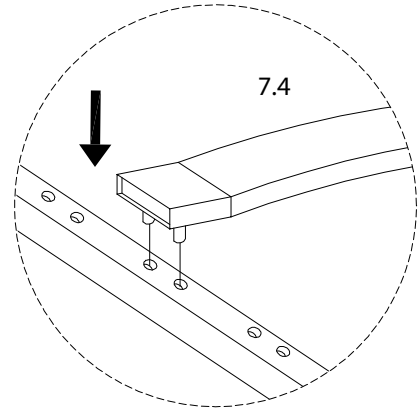
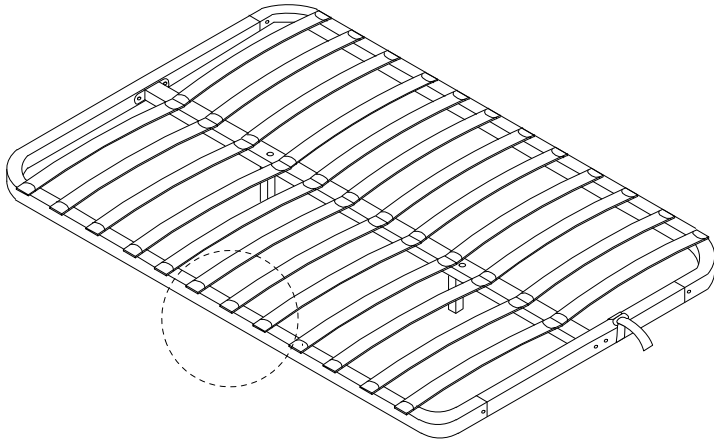
11 x 12



12



13 x 12



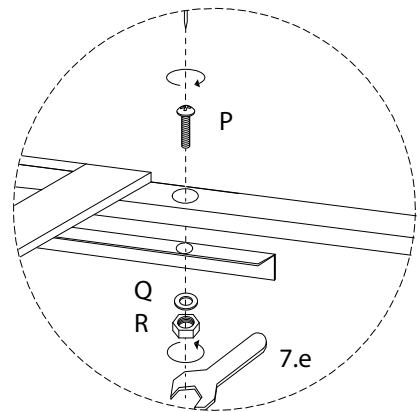
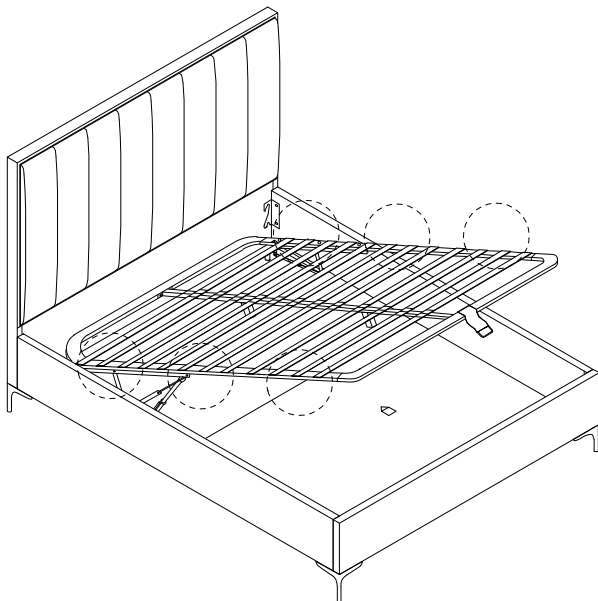
14

P
M6
x
45
x 6

Q
M6
x 6

R
M6
x 6

7.e
x 1



!

