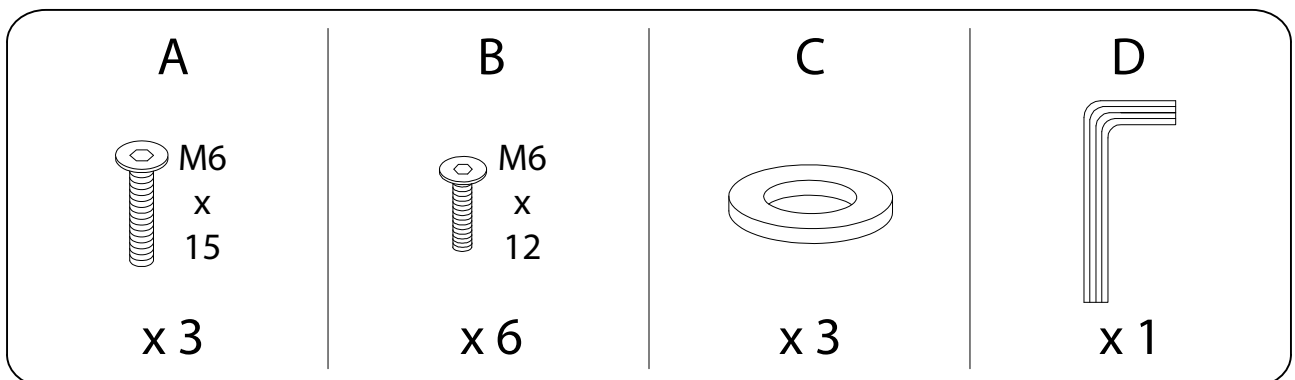
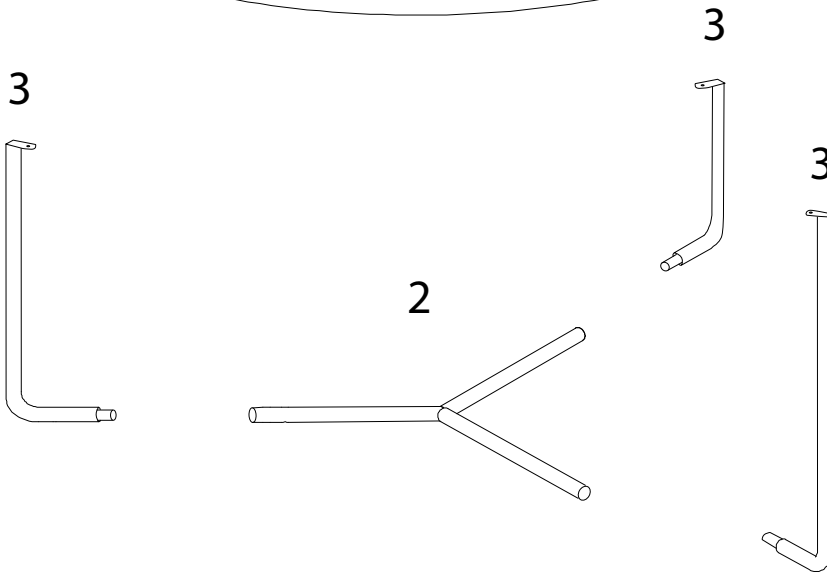
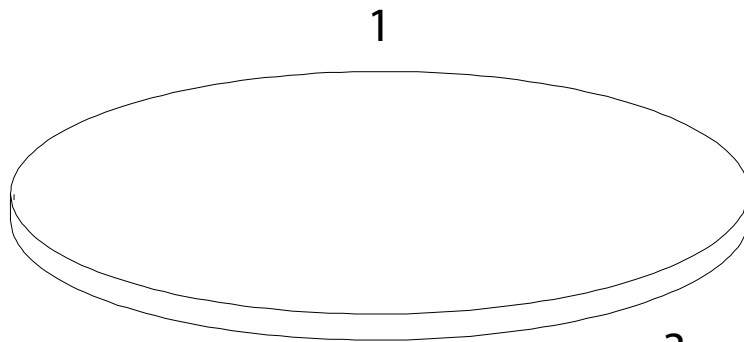
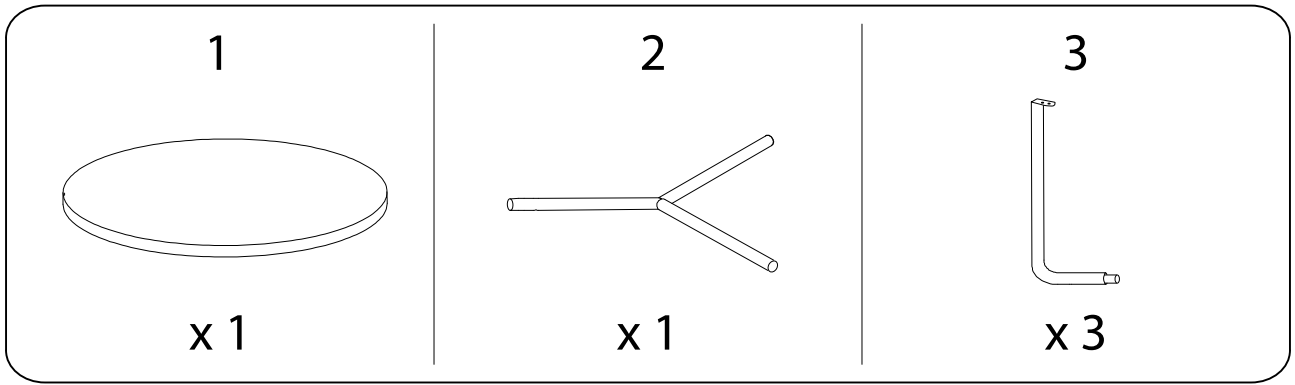
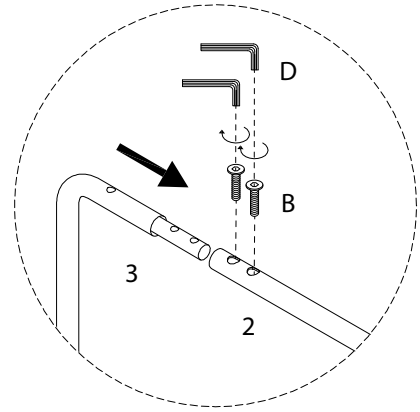
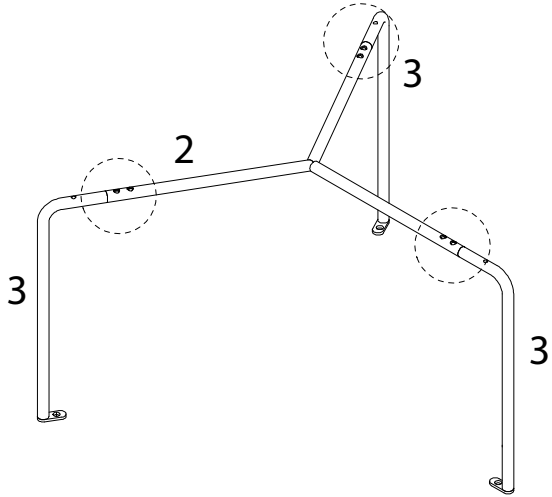
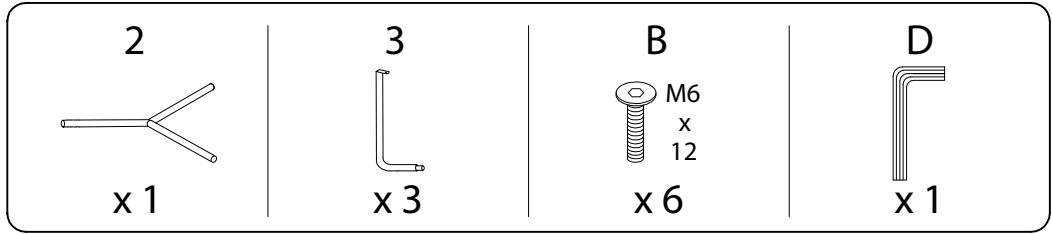


Diagram illustrating assembly steps and safety warnings:

- Top Step:** Shows an L-shaped metal bracket and a power drill with a slash through it, indicating that a power drill should not be used. A warning triangle with an exclamation mark is positioned to the right.
- Time:** A clock icon indicates a 30-minute duration for this step.
- Bottom Step:** Shows a rectangular block being placed on a surface with a warning triangle to the right. A second warning triangle with an exclamation mark is positioned below the first one.
- Person:** A person icon indicates that 1 person is required for this step.



1



2

