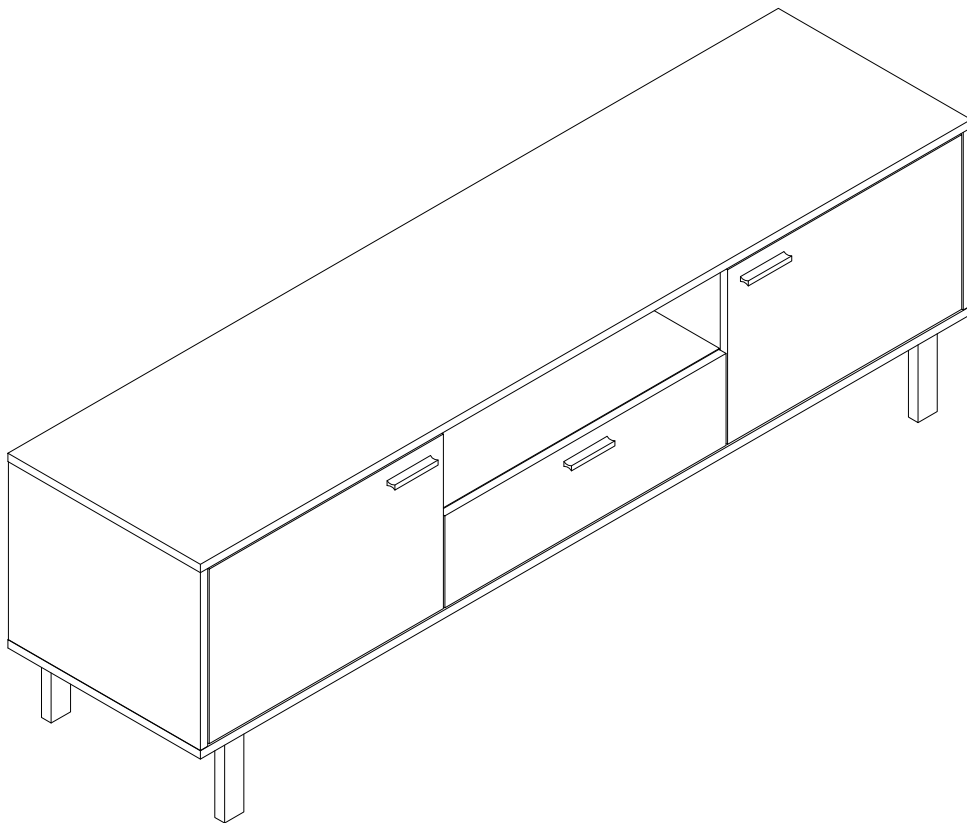
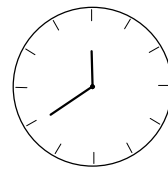
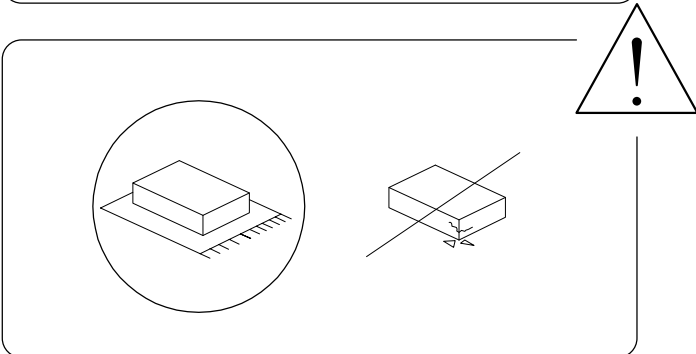
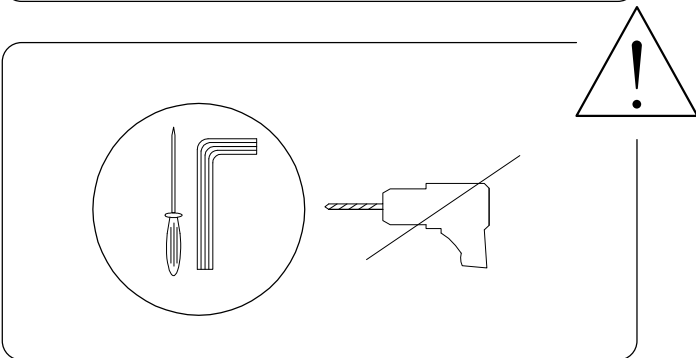
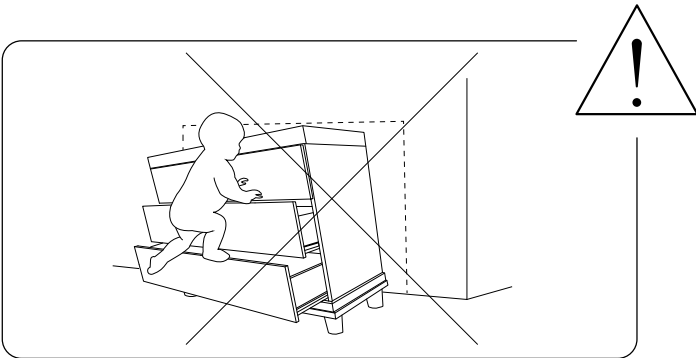
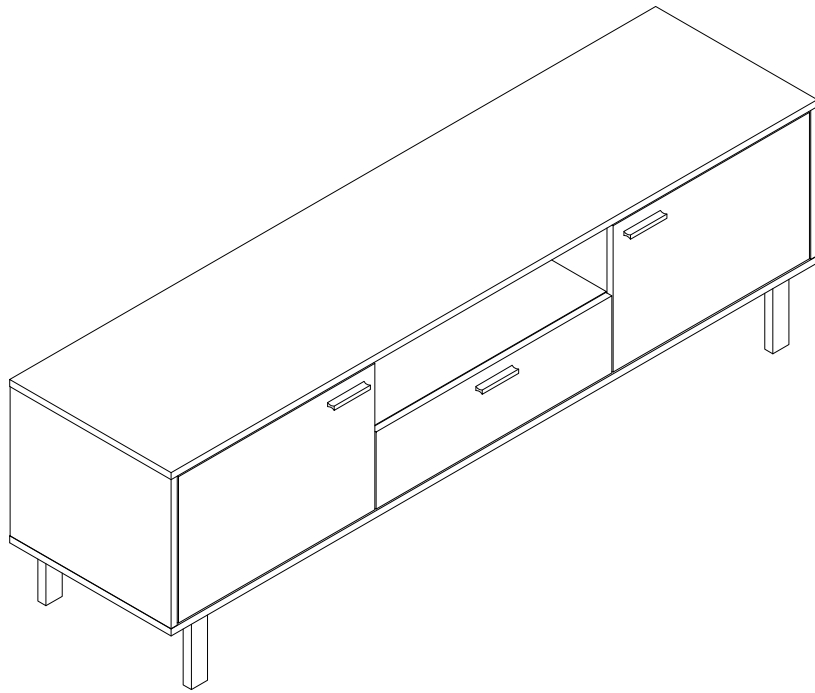
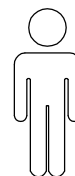


CLAREMONT

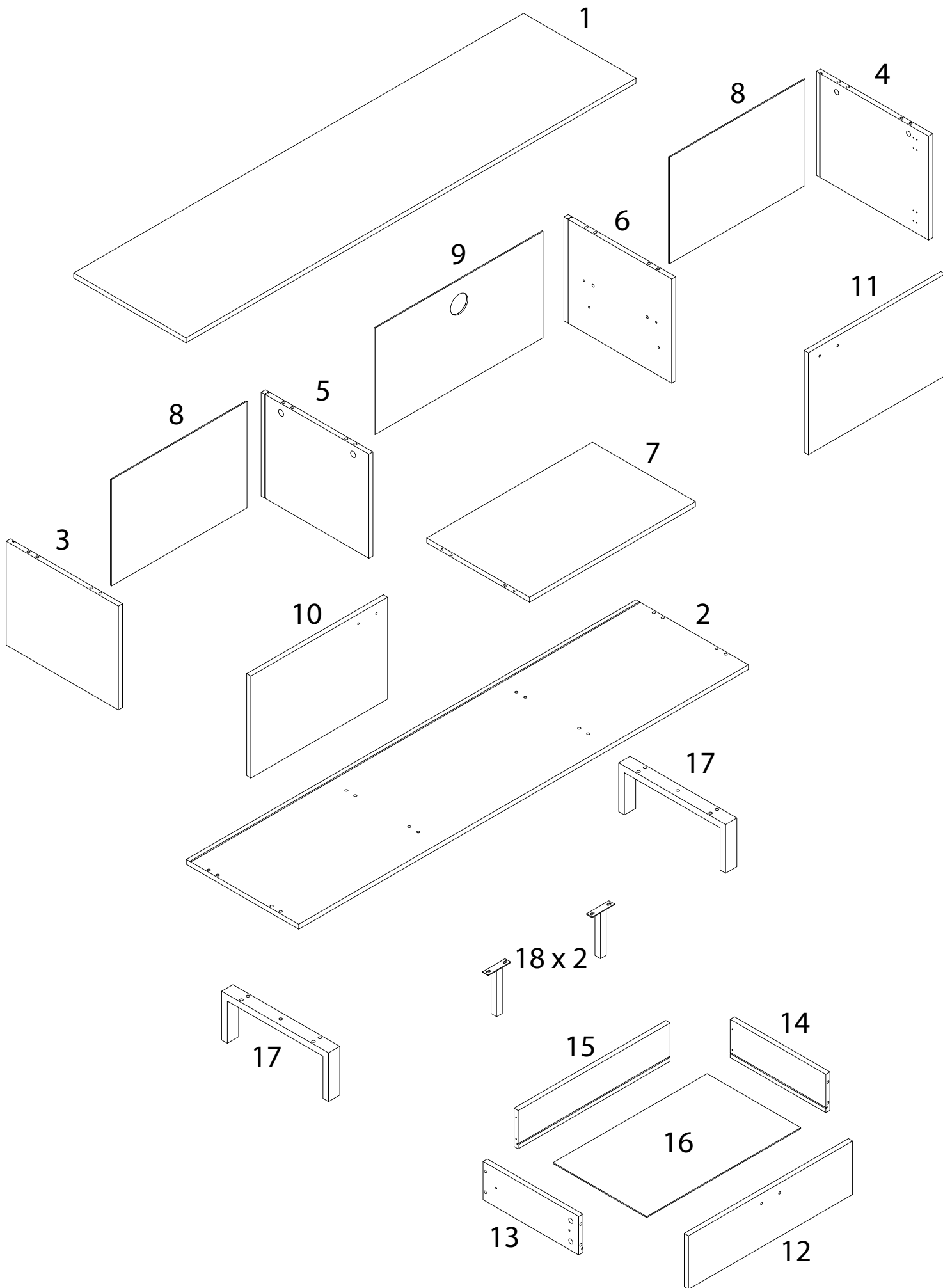


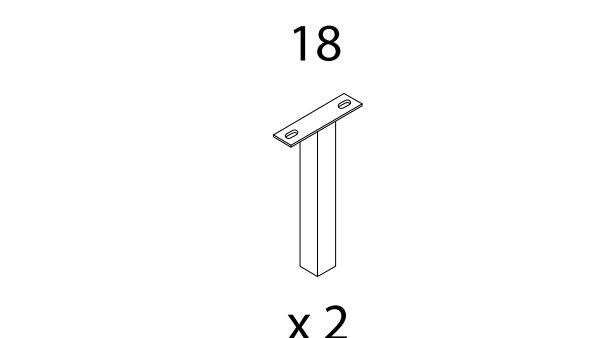
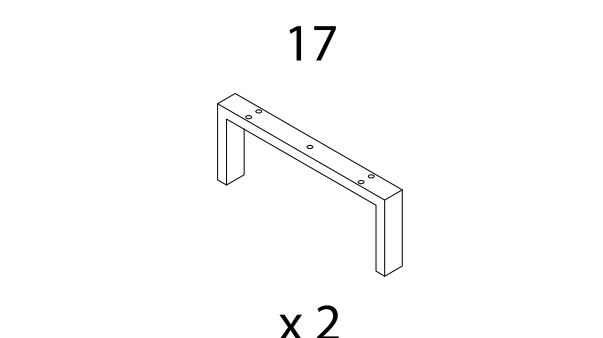
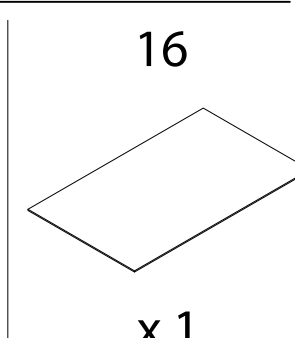
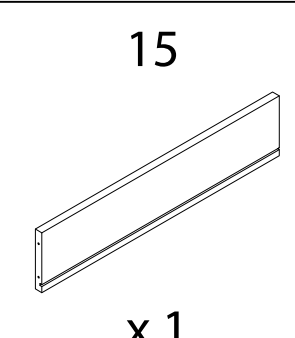
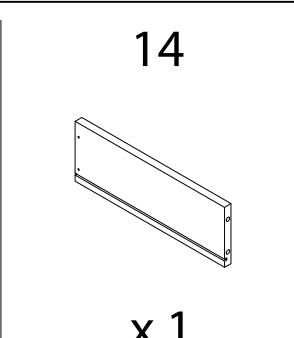
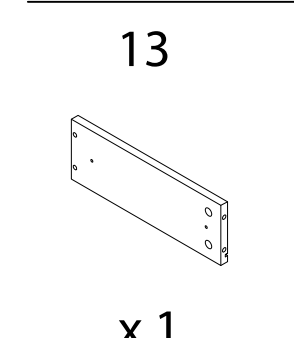
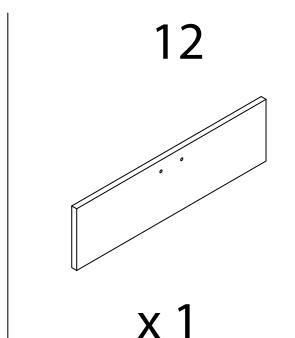
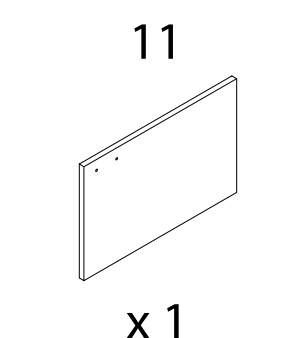
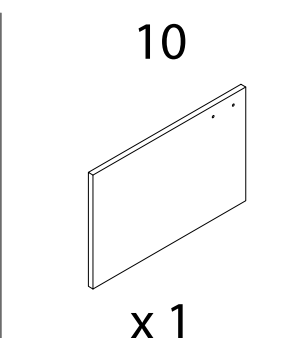
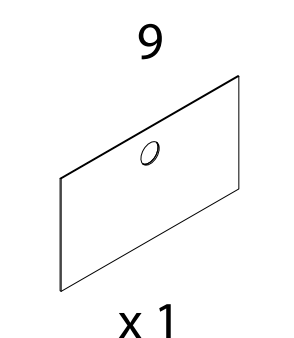
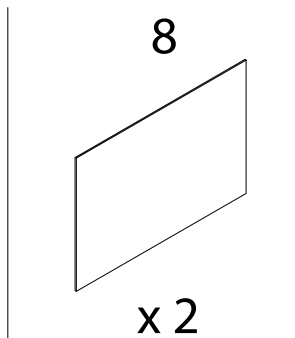
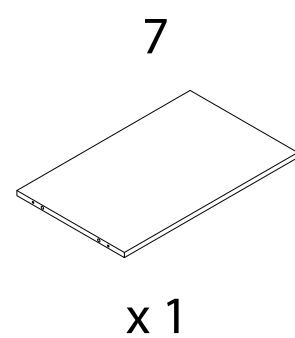
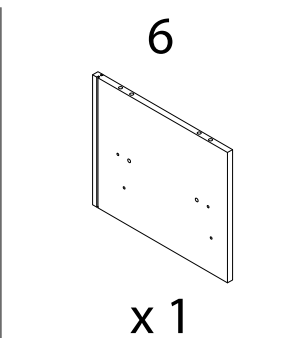
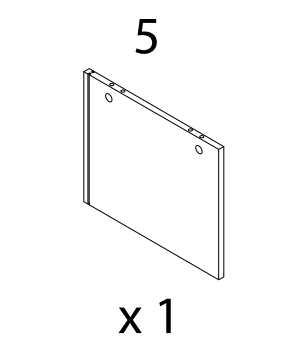
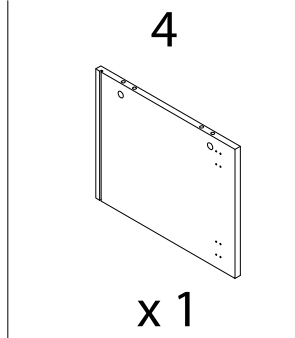
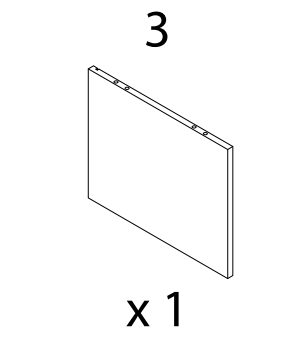
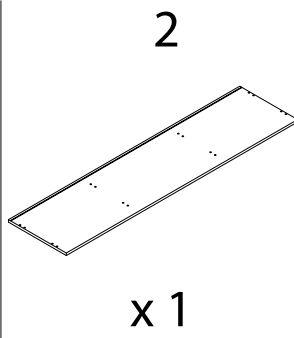
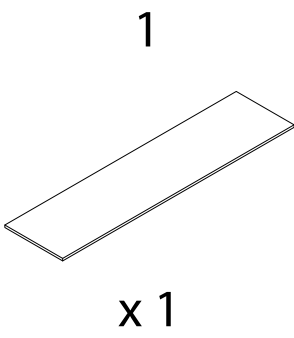


40'

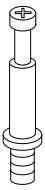


2



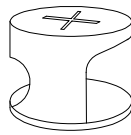


A



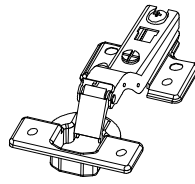
x 16

B



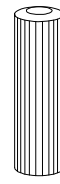
x 16

C



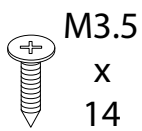
x 4

D



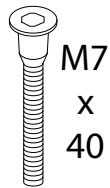
x 20

E



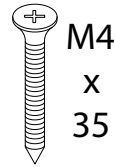
x 44

F



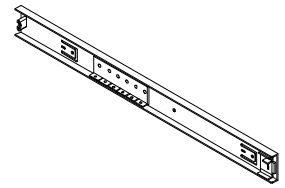
x 8

G



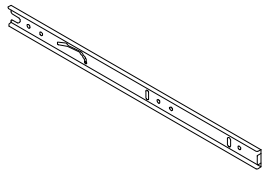
x 4

H



x 2

I



x 2

J



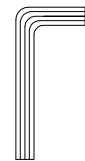
x 4

K



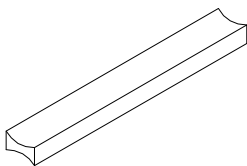
x 10

L



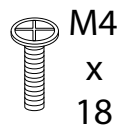
x 1

M



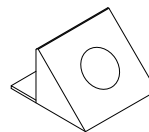
x 3

N



x 6

O



x 12

P



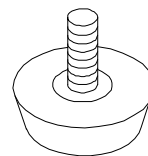
x 8

Q



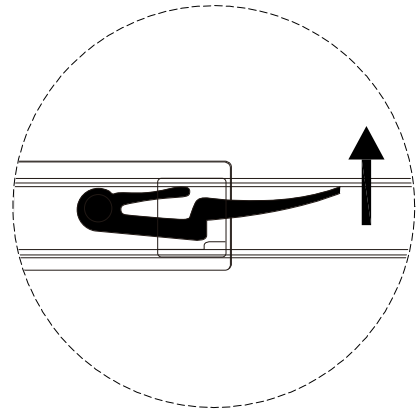
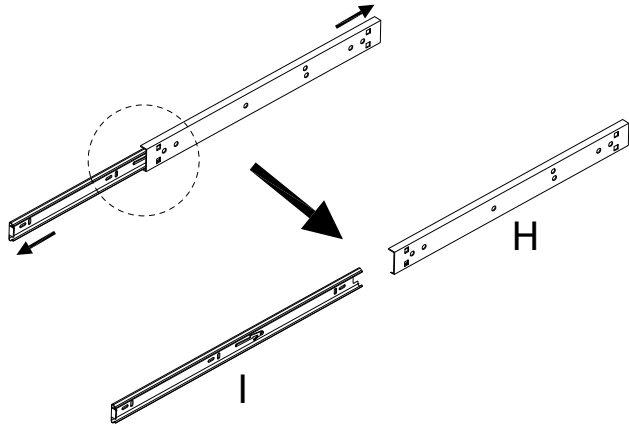
x 4

R

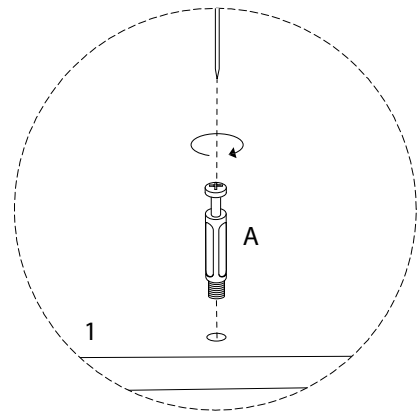
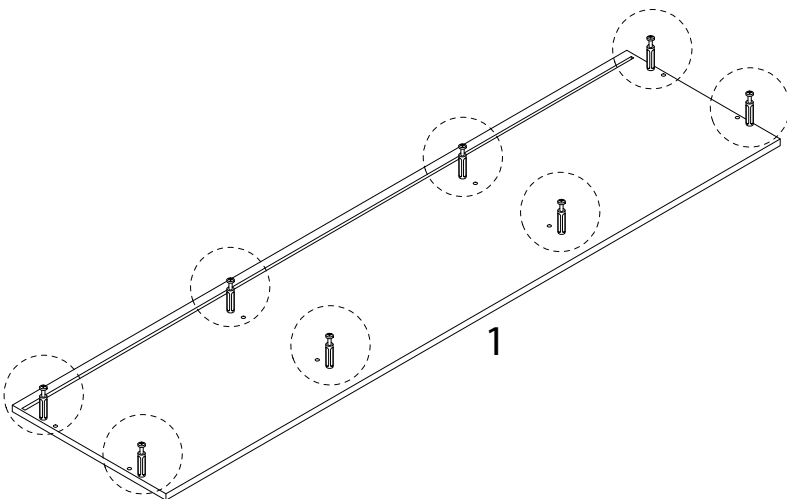
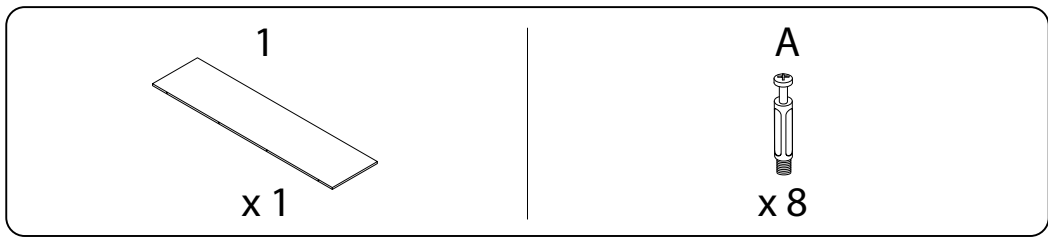


x 2

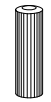
!

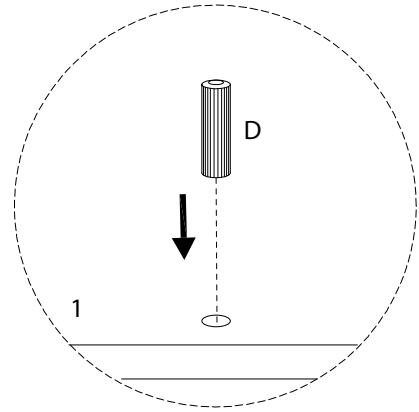
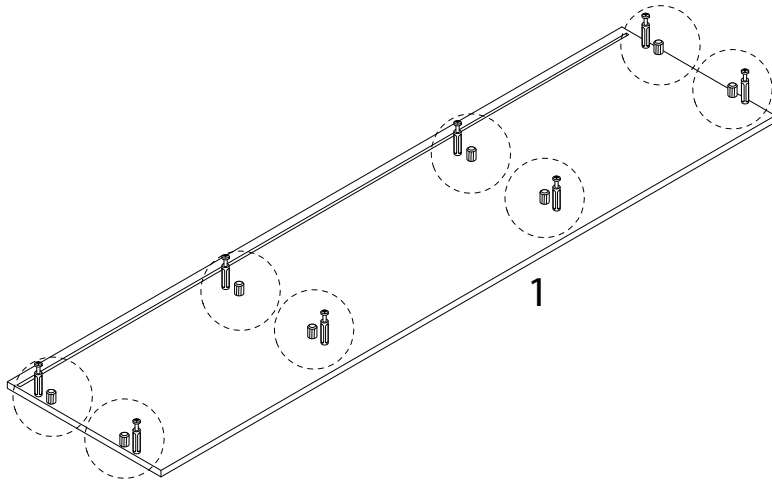


1

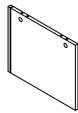


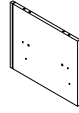
2


D

x8

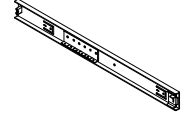


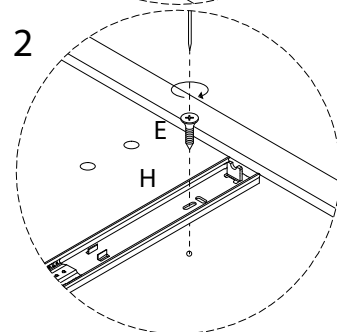
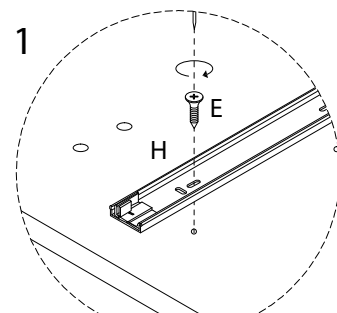
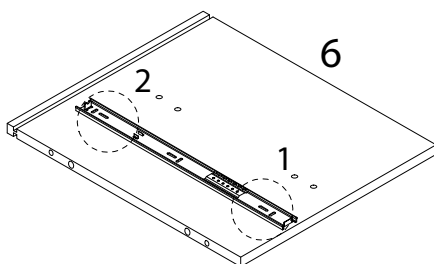
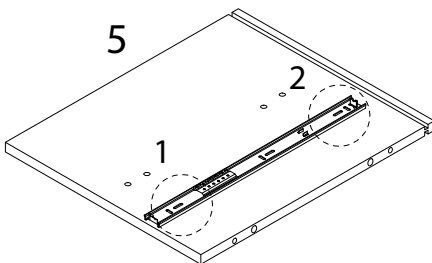
3

5

x 1

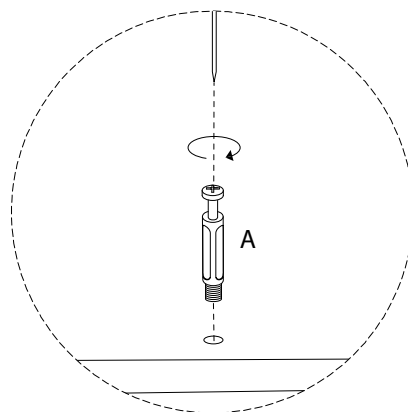
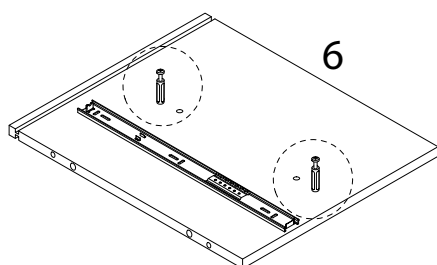
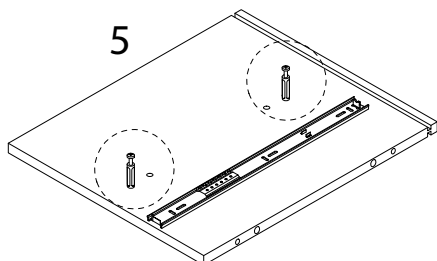
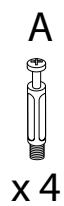
6

x 1

E

M3.5
x
14
x 4

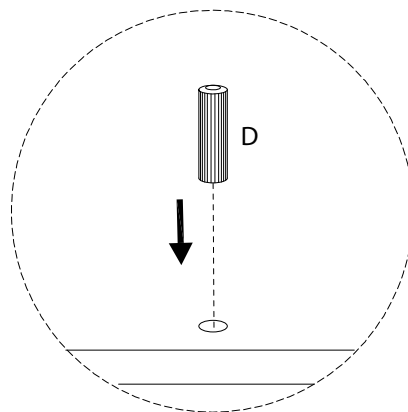
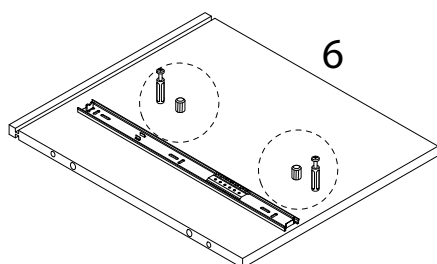
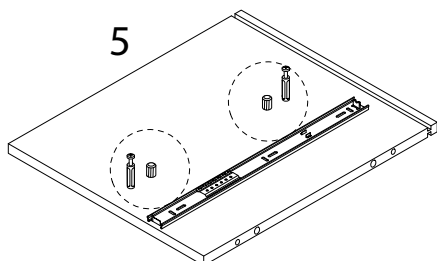
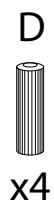
H

x 2



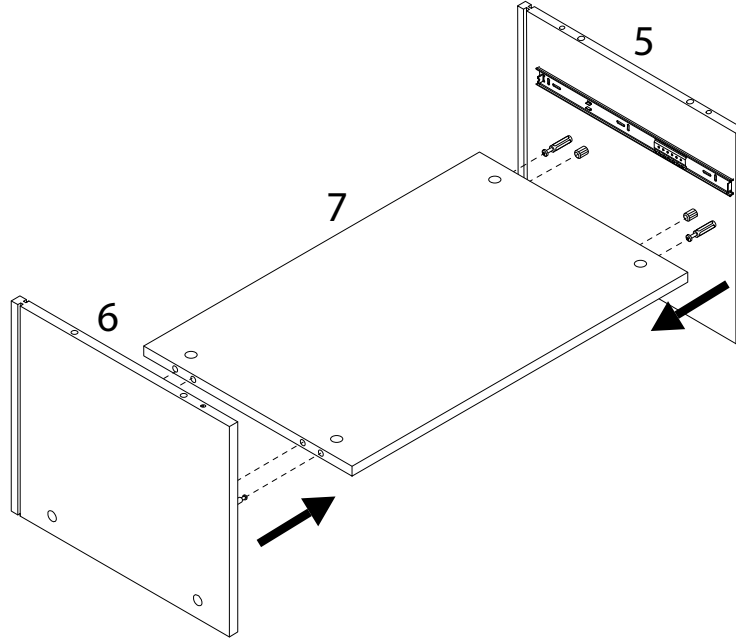
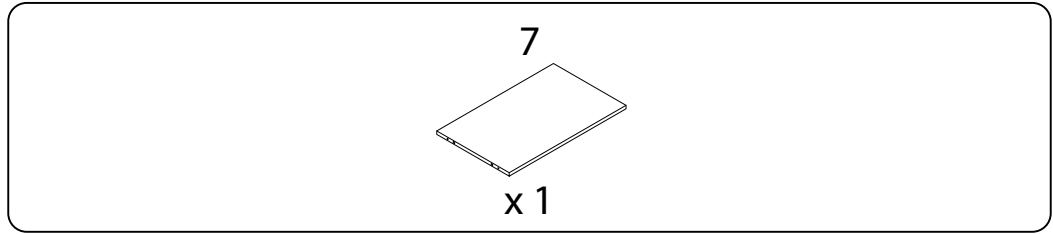
4



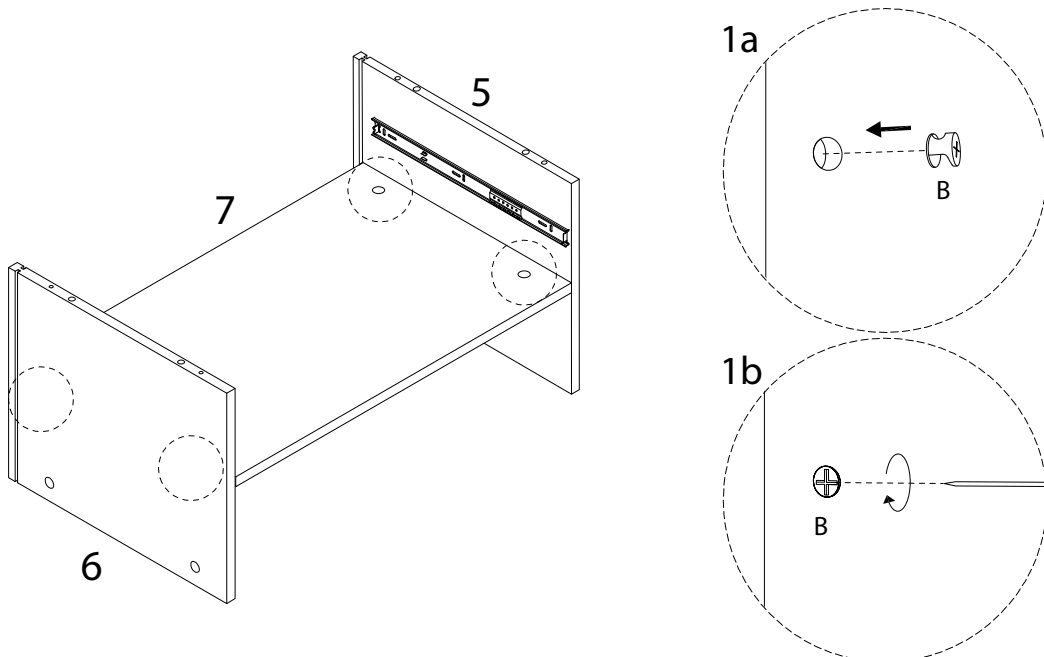
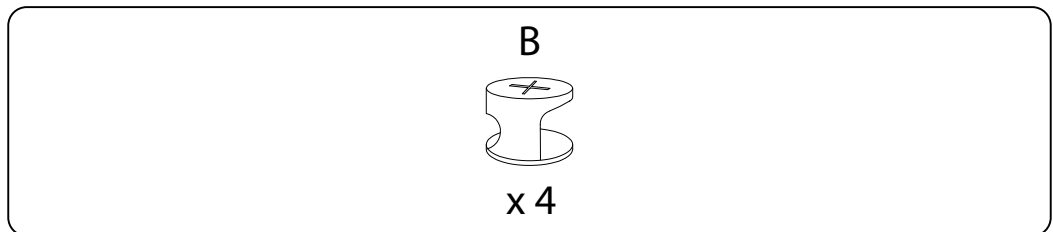
5



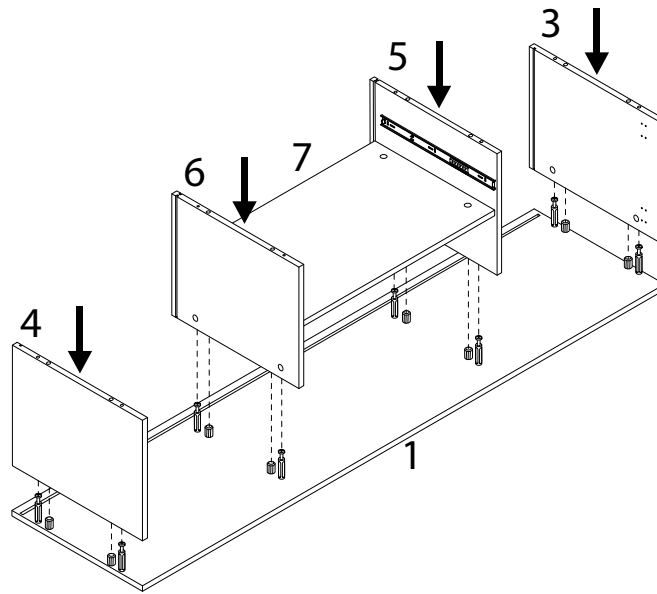
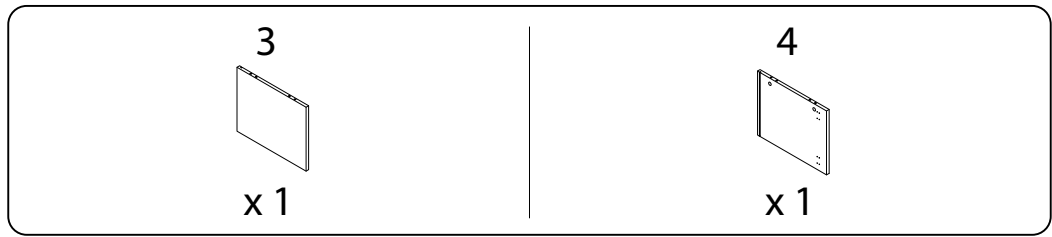
6



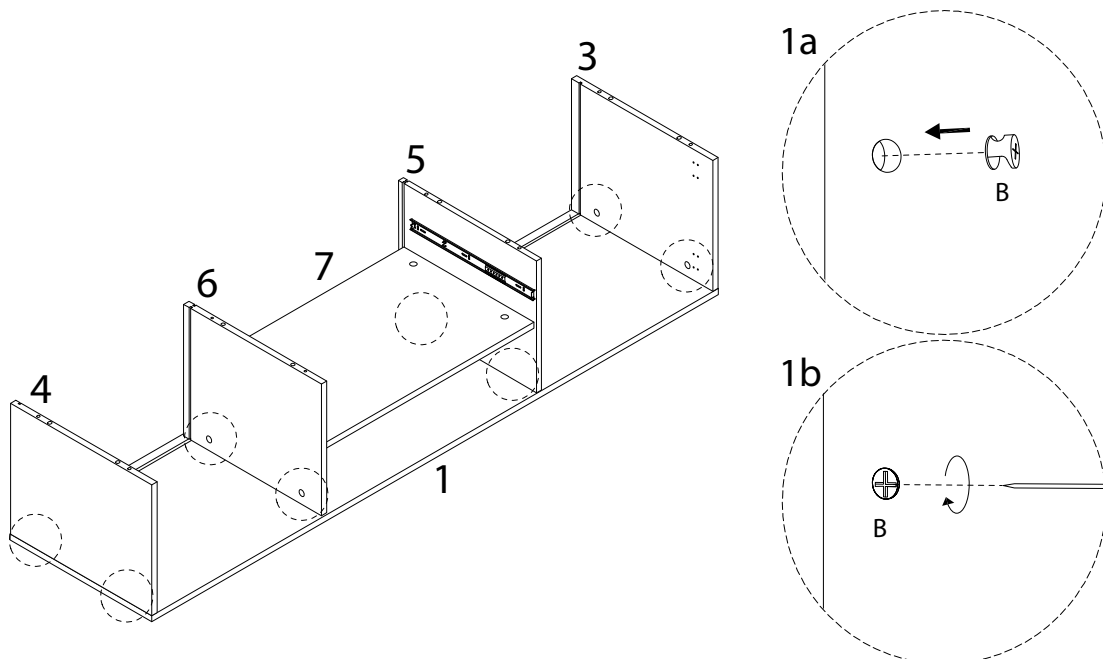
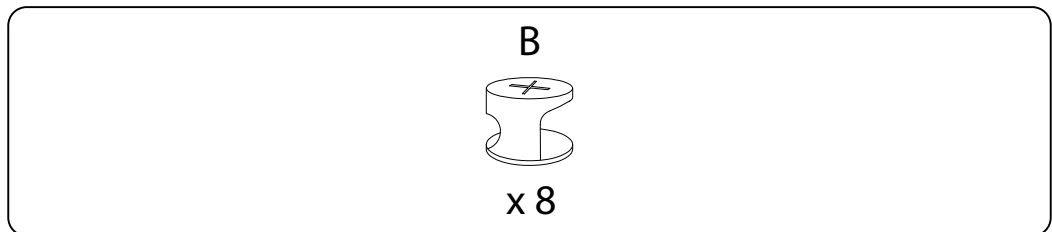
7



8



9



10

8

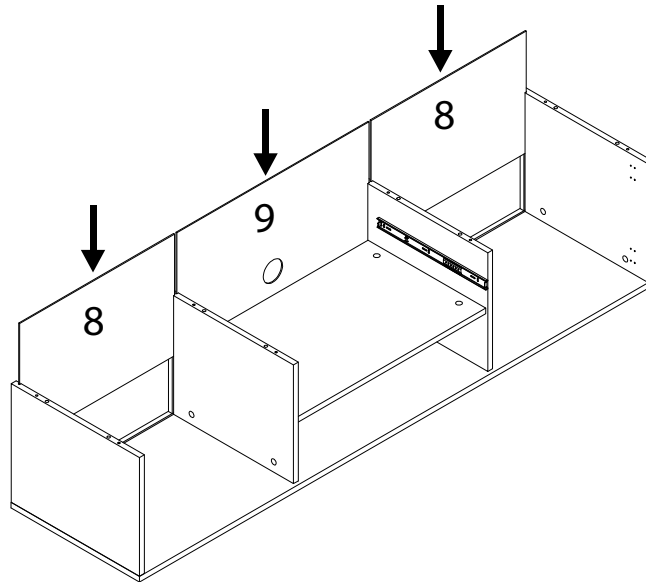


x 1

9

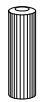


x 1

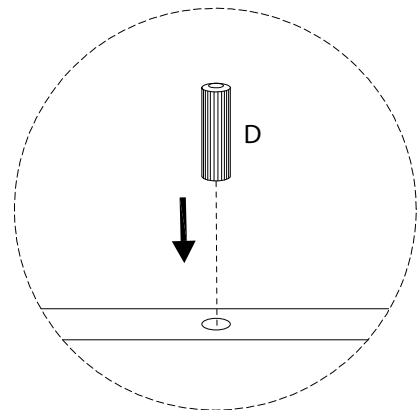
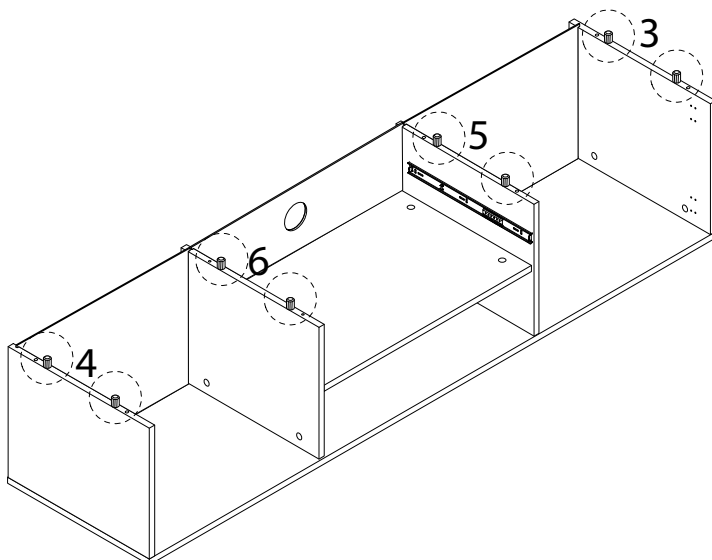


11

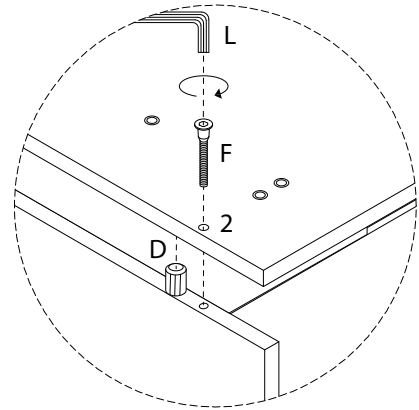
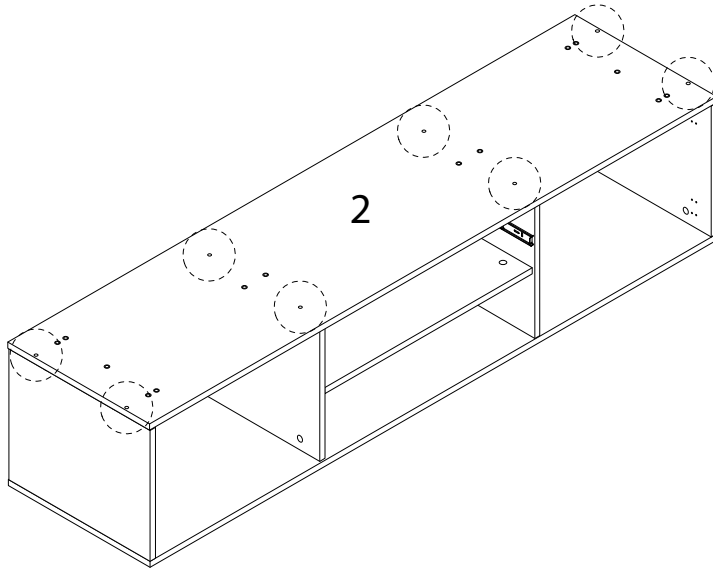
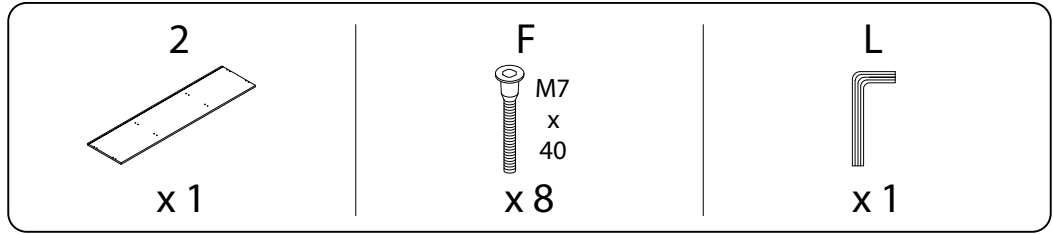
D



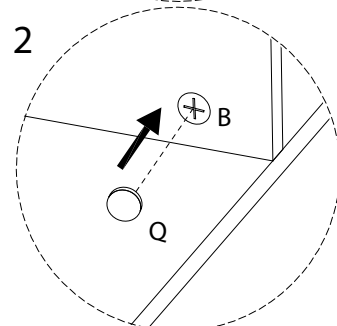
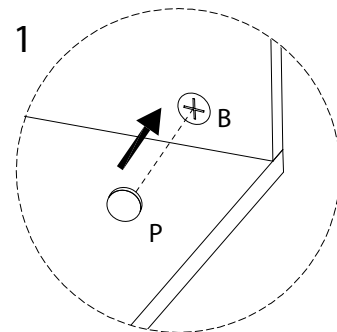
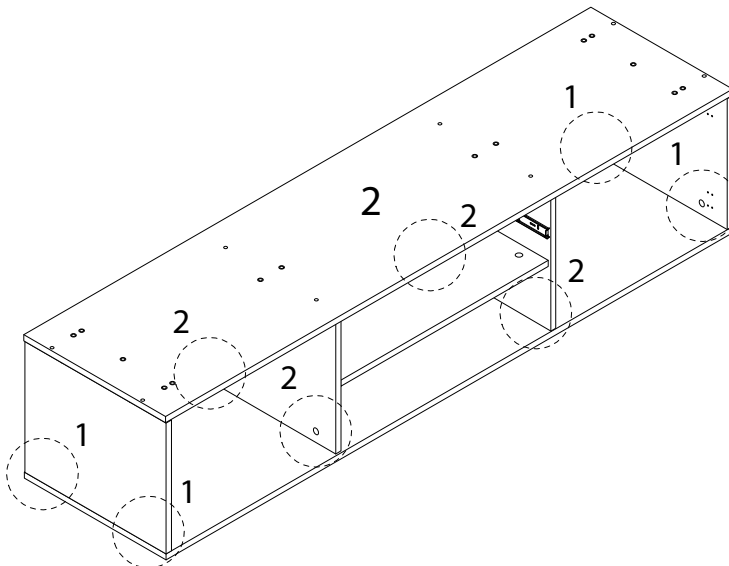
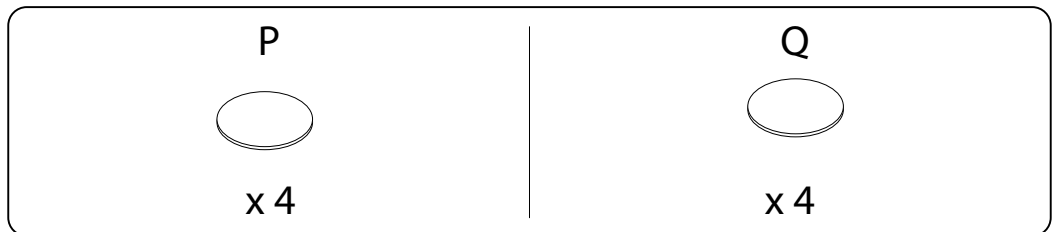
x8



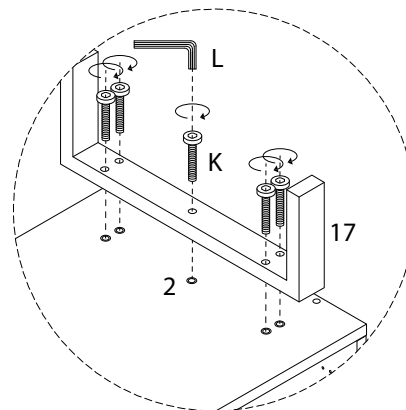
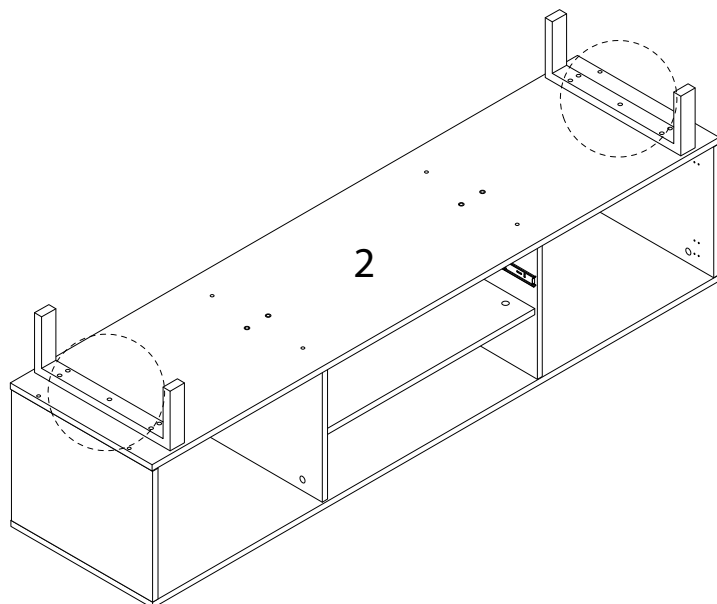
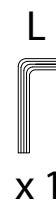
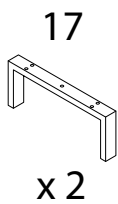
12



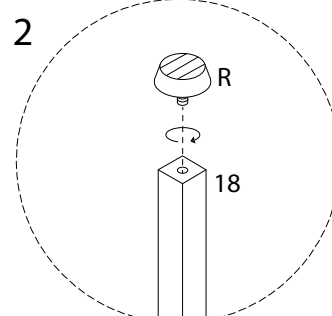
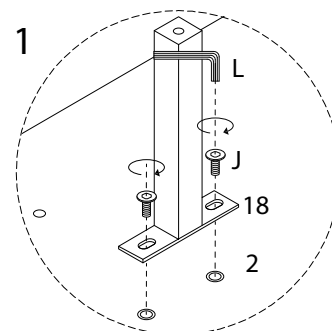
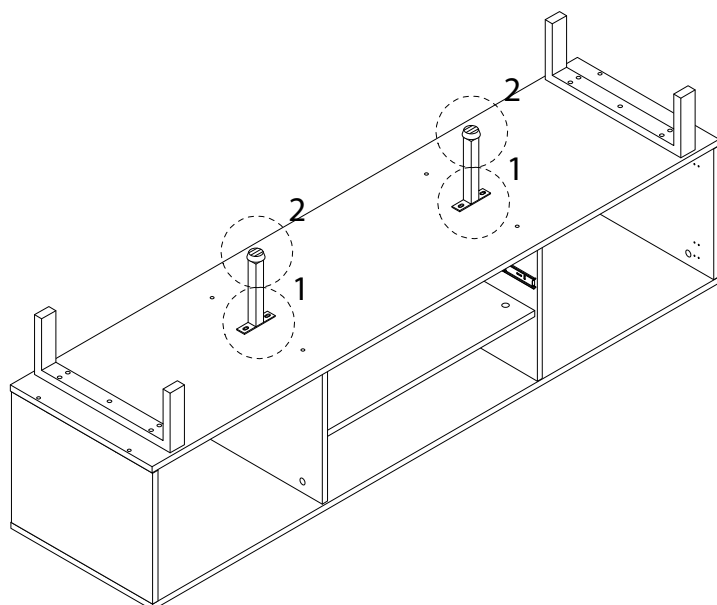
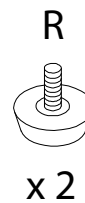
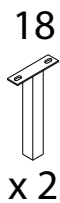
13



14

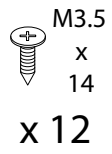


15

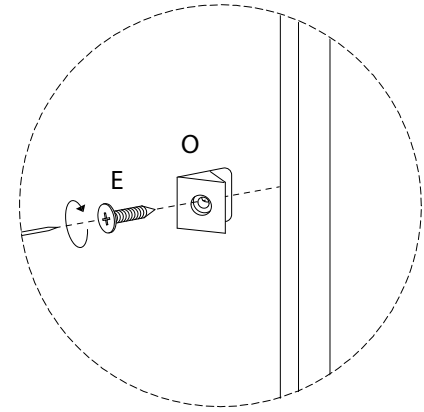
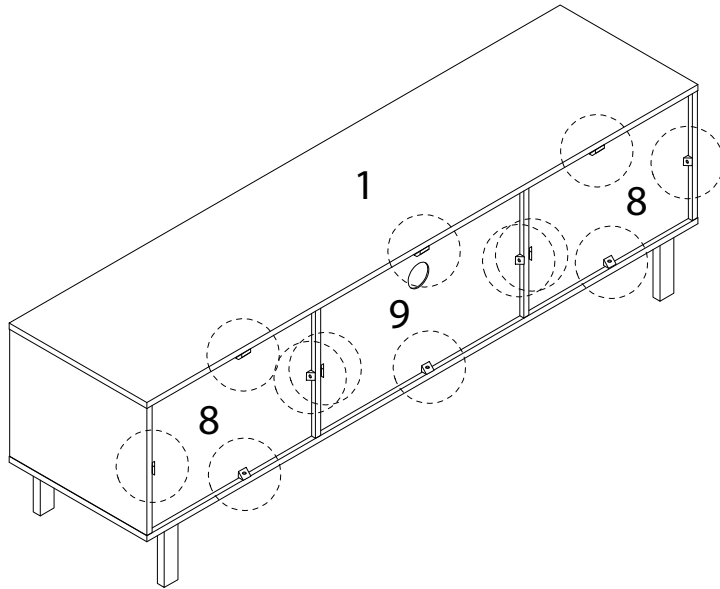


16

E

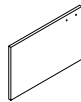


O



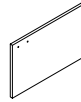
17

10



x 1

11



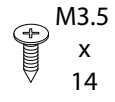
x 1

C

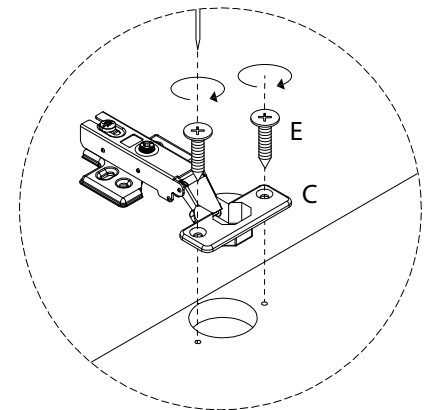
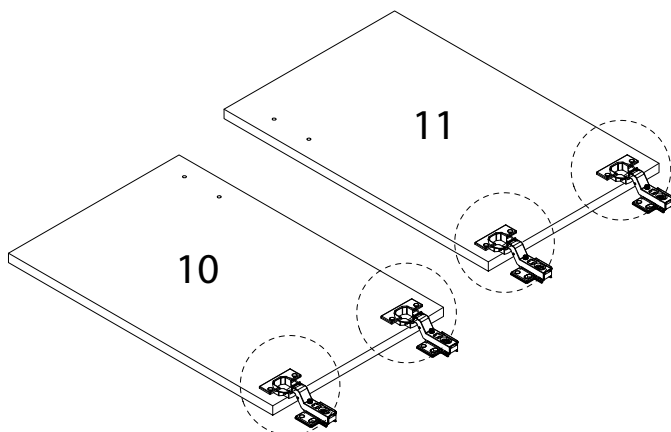


x 4

E



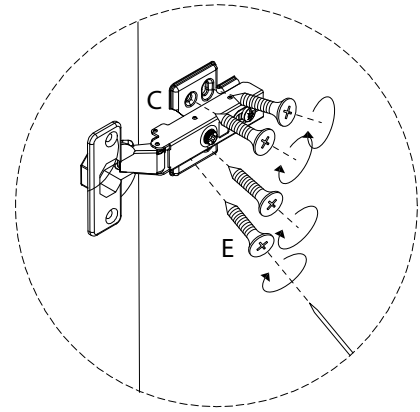
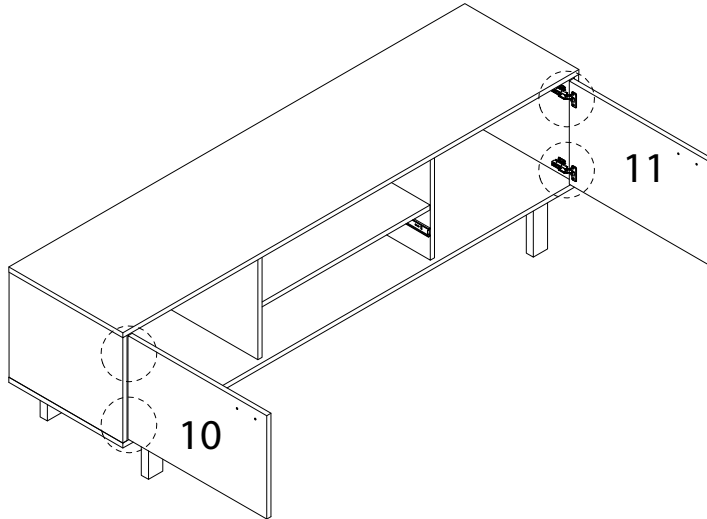
x 8



18

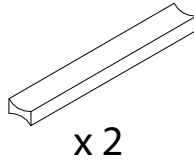
E

M3.5
x
14
x 16



19

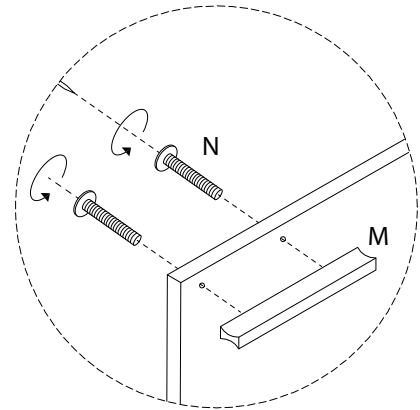
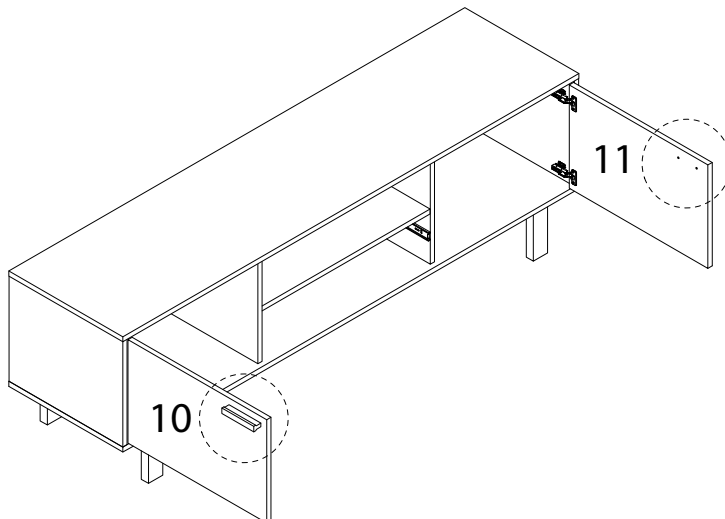
M



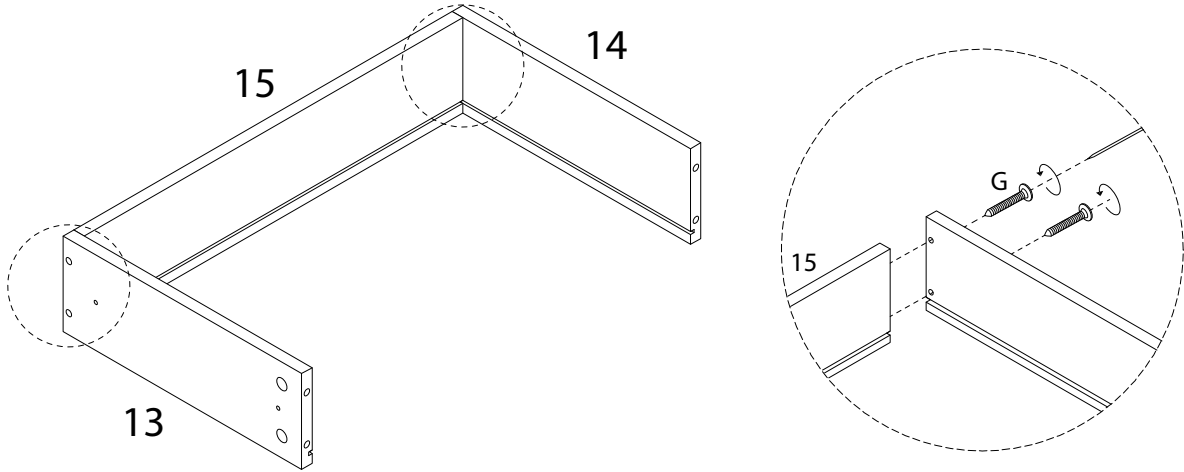
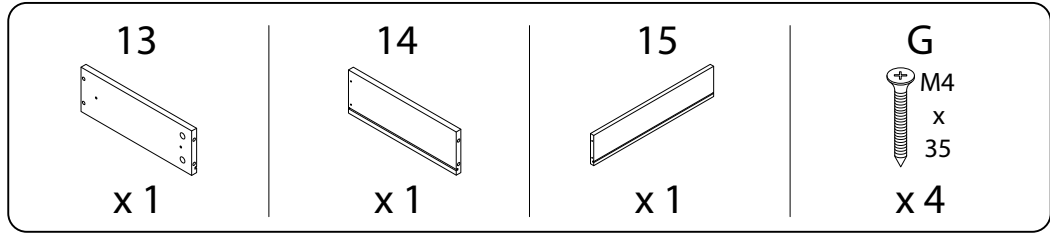
x 2

N

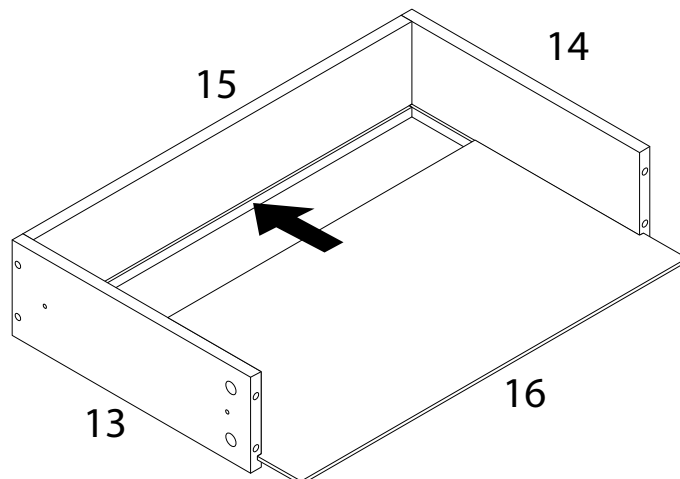
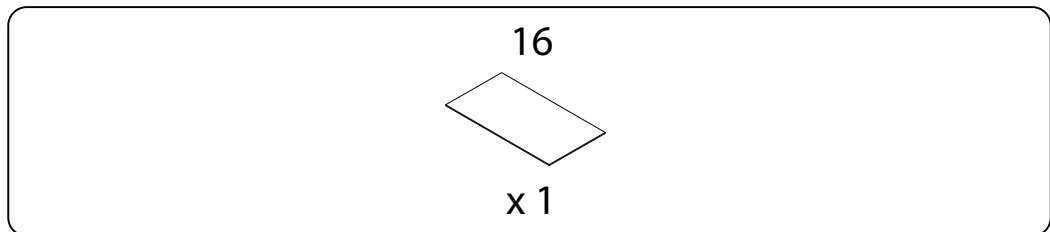
M4
x
18
x 4



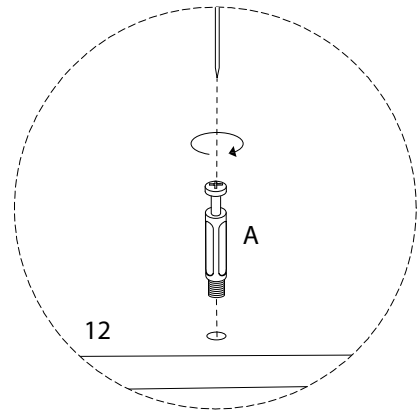
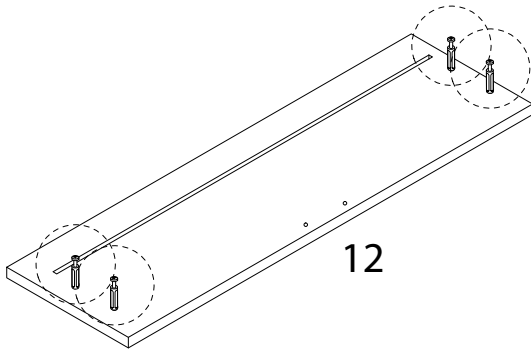
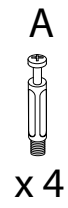
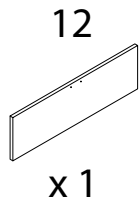
20



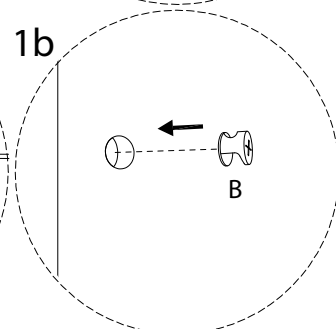
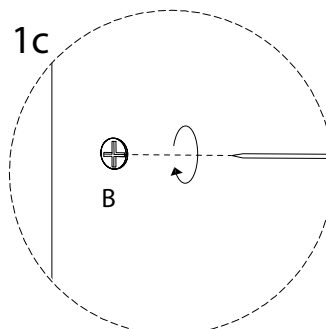
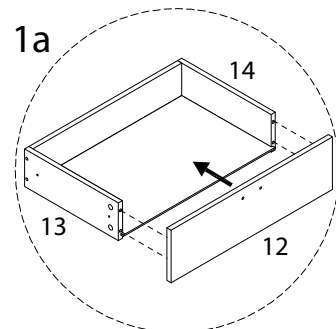
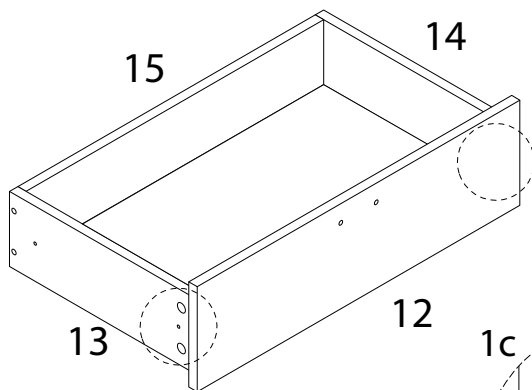
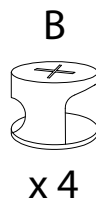
21



22



23

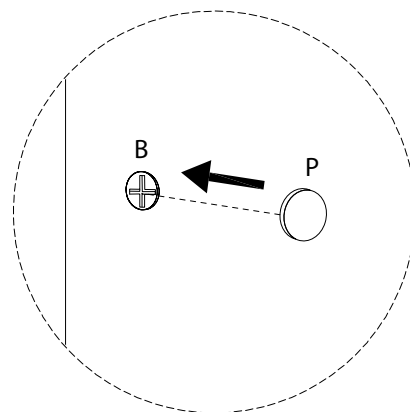
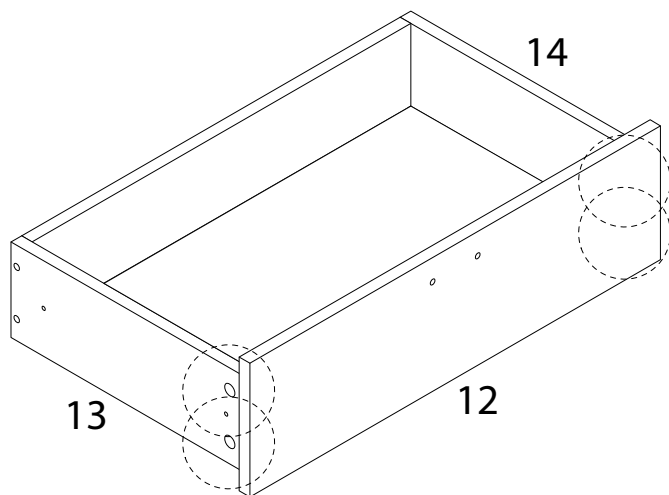


24

P

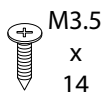


x 4



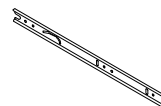
25

E

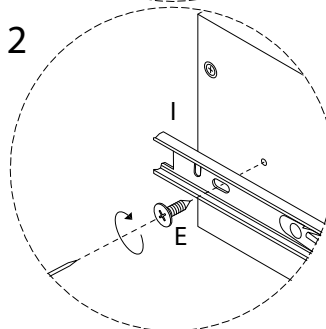
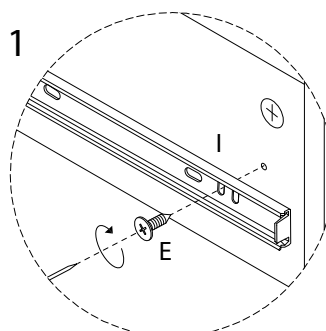
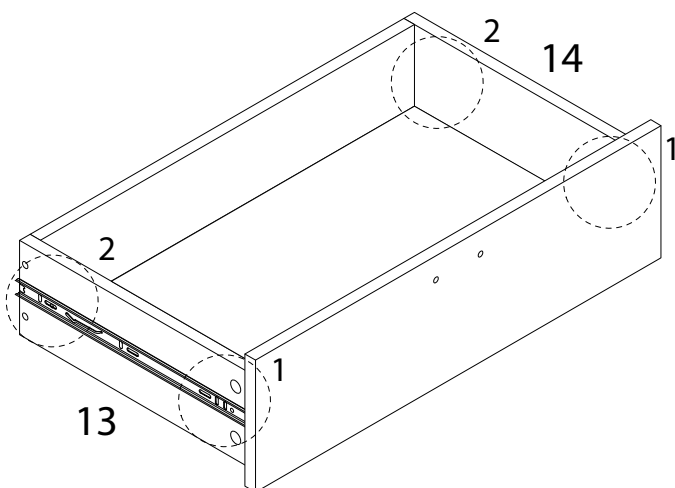


x 4

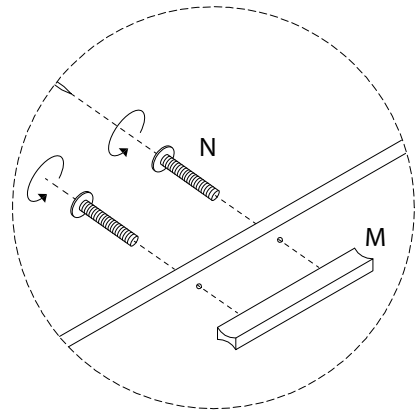
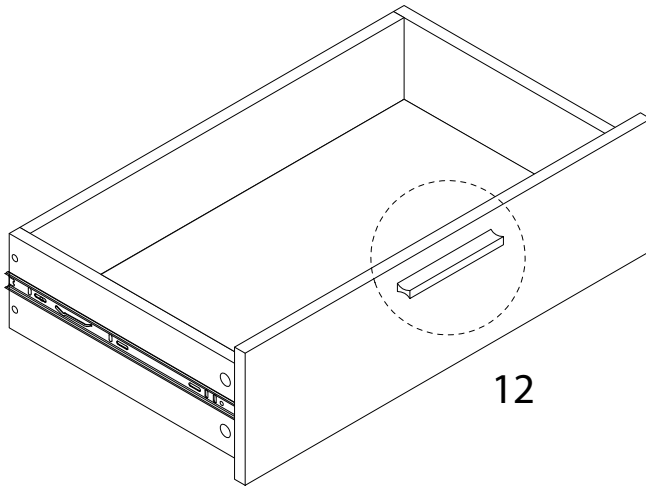
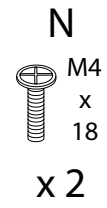
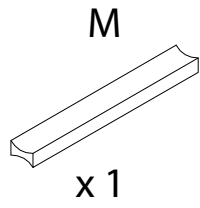
I



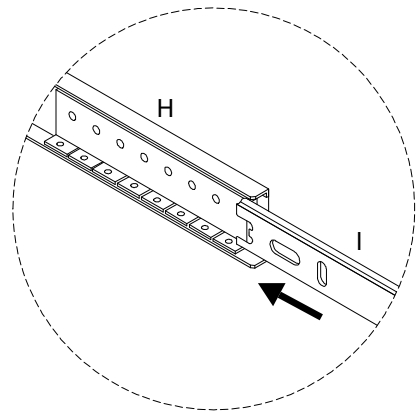
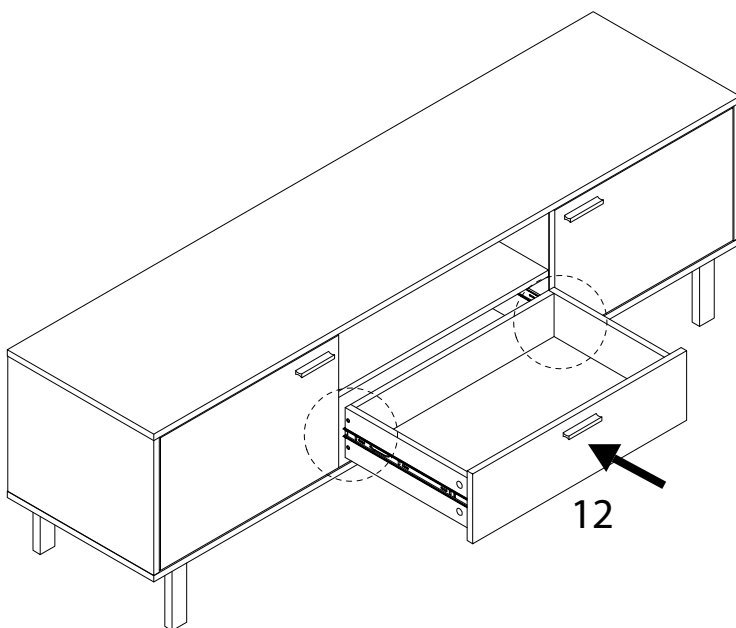
x 2



26



27



28

