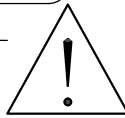
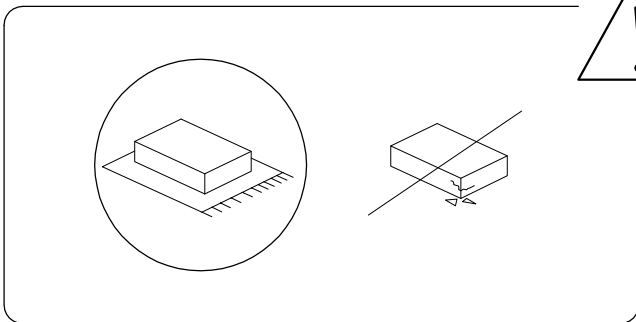




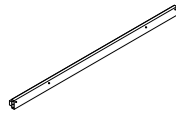
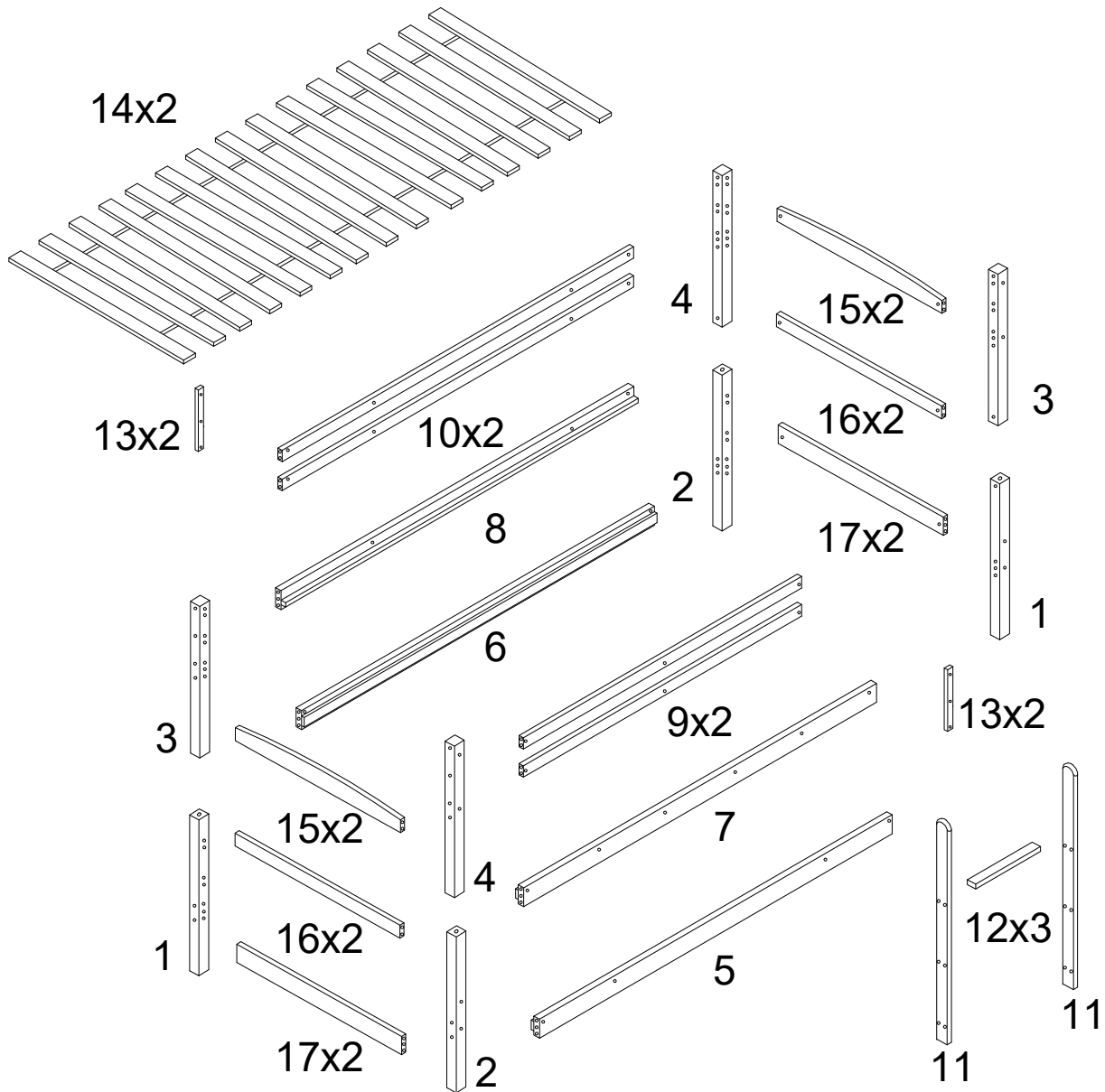


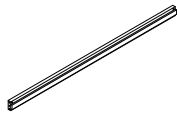
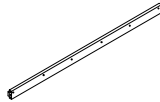
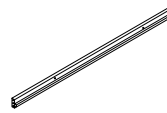
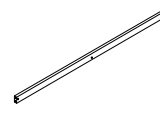
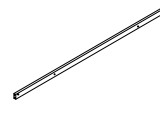
120'


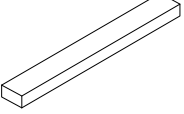
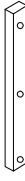
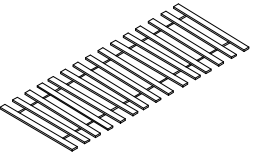
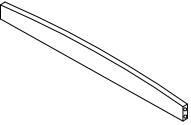
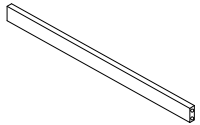
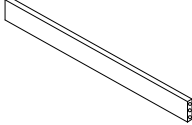

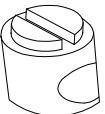
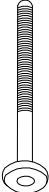
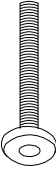
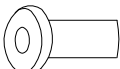
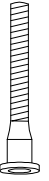
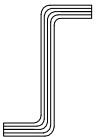
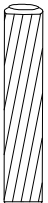







2

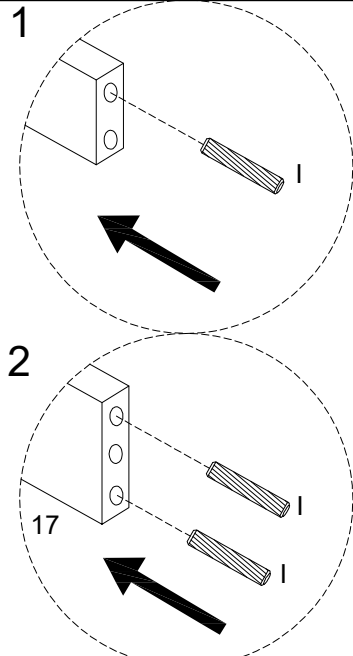
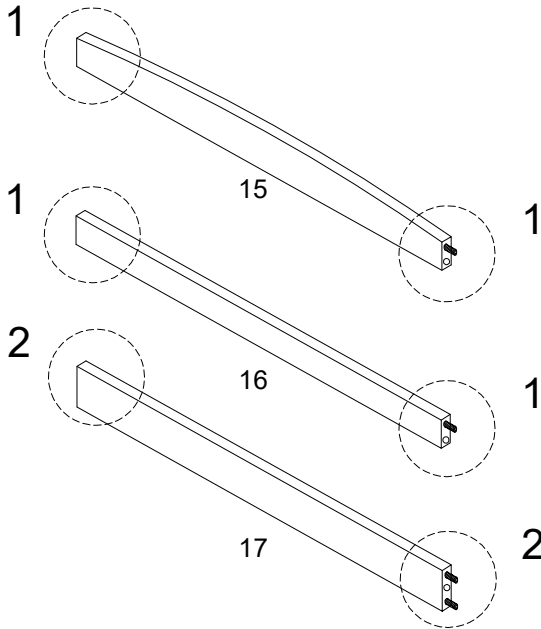
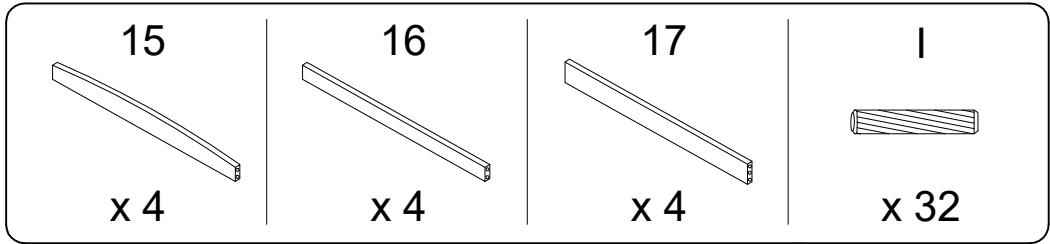
1  x 2	2  x 2	3  x 2	4  x 2	5  x 1
-----------------------------------------------------------------------------------------------	-----------------------------------------------------------------------------------------------	-----------------------------------------------------------------------------------------------	-------------------------------------------------------------------------------------------------	-------------------------------------------------------------------------------------------------



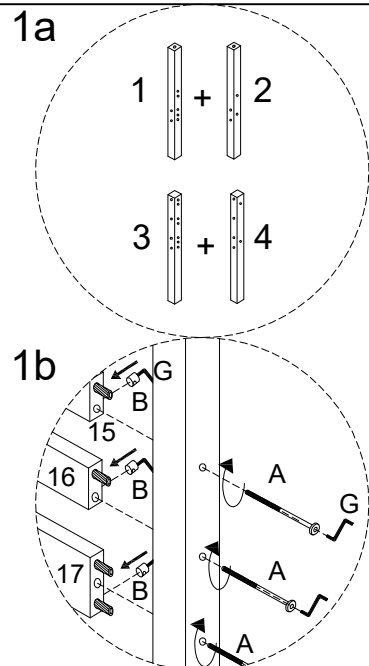
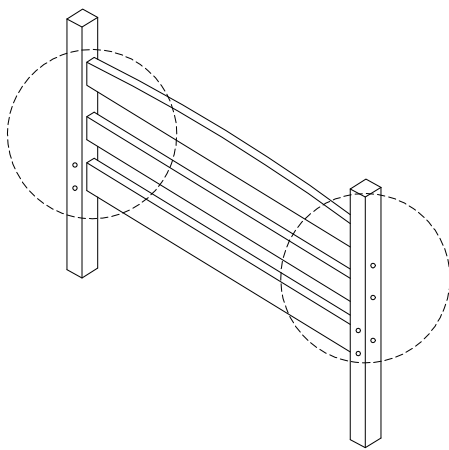
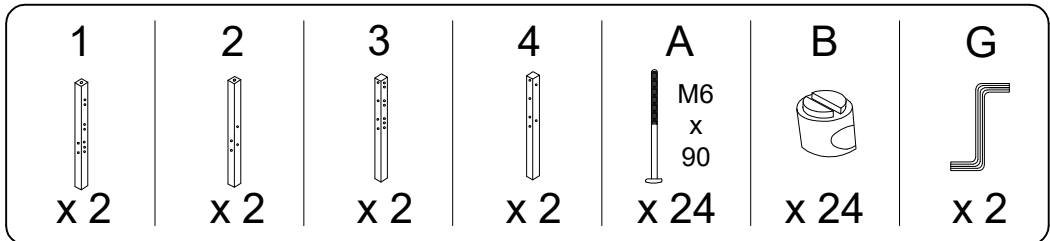
6  x 1	7  x 1	8  x 1	9  x 2	10  x 2
-------------------------------------------------------------------------------------------------	-------------------------------------------------------------------------------------------------	-------------------------------------------------------------------------------------------------	--------------------------------------------------------------------------------------------------	----------------------------------------------------------------------------------------------------

<p>11</p>  <p>x 2</p>	<p>12</p>  <p>x 3</p>	<p>13</p>  <p>x 4</p>	<p>14</p>  <p>x 2</p>
<p>15</p>  <p>x 4</p>	<p>16</p>  <p>x 4</p>	<p>17</p>  <p>x 4</p>	<p>A</p>  <p>M6 x 90</p> <p>x 46</p>
<p>B</p>  <p>x 46</p>	<p>C</p>  <p>M6 x 70</p> <p>x 4</p>	<p>D</p>  <p>M6 x 25</p> <p>x 12</p>	<p>E</p>  <p>x 16</p>
<p>F</p>  <p>Ø7 x 60</p> <p>x 12</p>	<p>G</p>  <p>x 2</p>	<p>H</p>  <p>Ø12 x 60</p> <p>x 4</p>	<p>I</p>  <p>Ø8 x 30</p> <p>x 46</p>
<p>J</p>  <p>Ø4 x 30</p> <p>x 72</p>	<p>K</p>  <p>Ø8</p> <p>x 19</p>	<p>L</p>  <p>x 2</p>	<p>M</p>  <p>x 4</p>

1

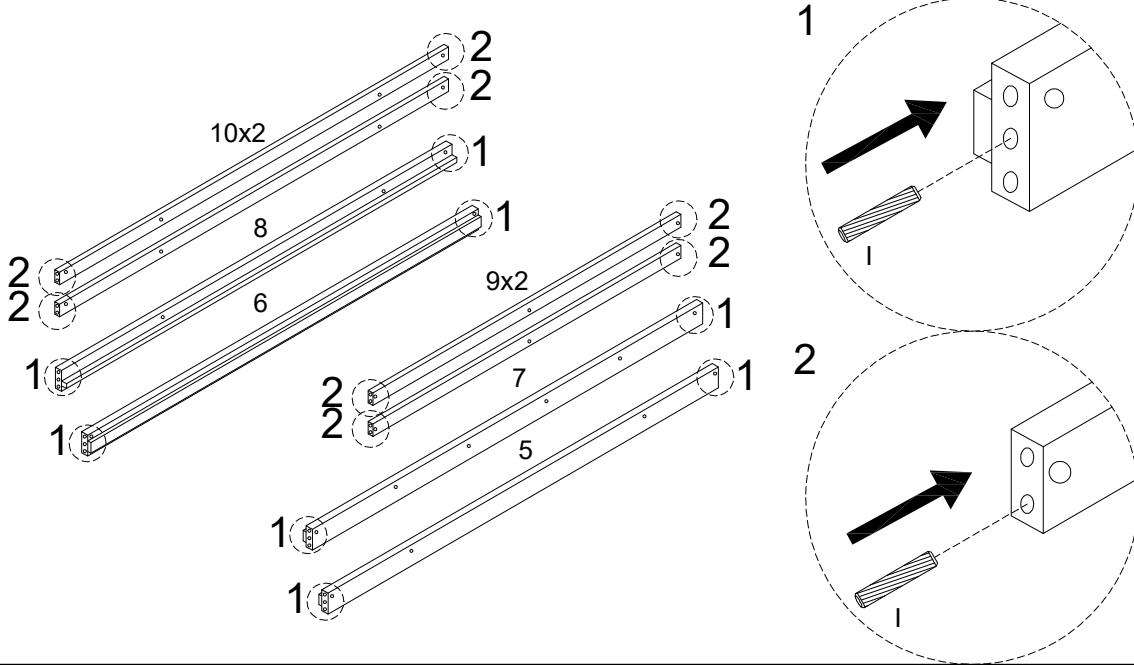


2



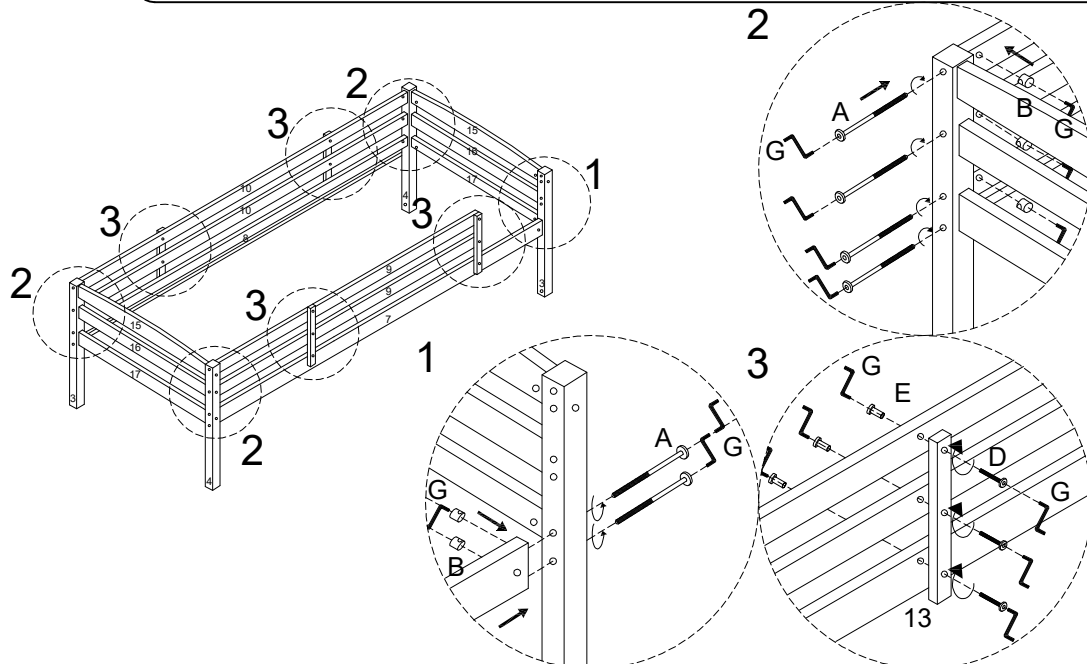
3

5	6	7	8	9	10	I
x 1	x 1	x 1	x 1	x 2	x 2	x 14



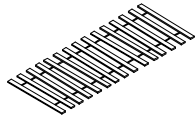
4

13	A	B	D	E	G
x 4	M6 x 90 x 14	x 14	M6 x 25 x 12	x 12	x 2



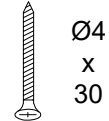
5

14

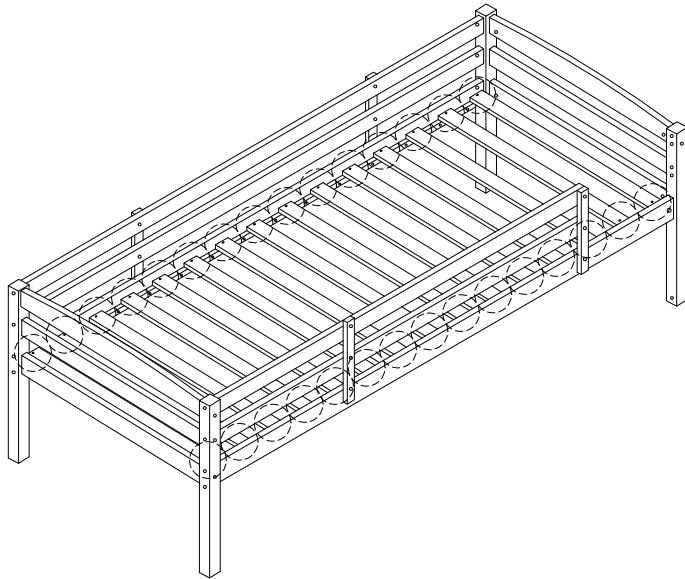


x 1

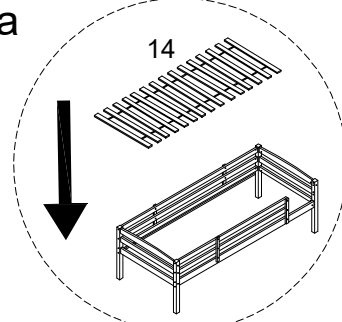
J



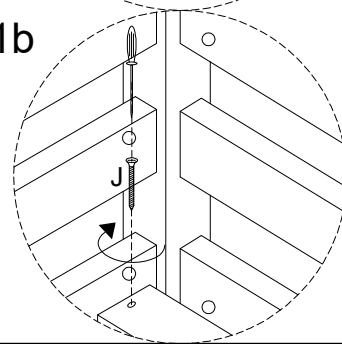
Ø4
x
30
x 30



1a

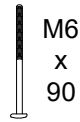


1b



6

A



x 8

B

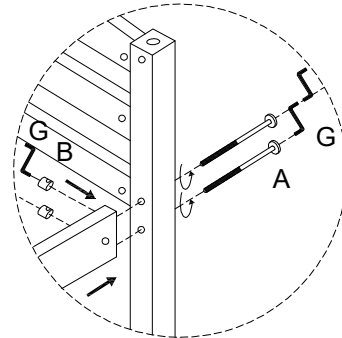
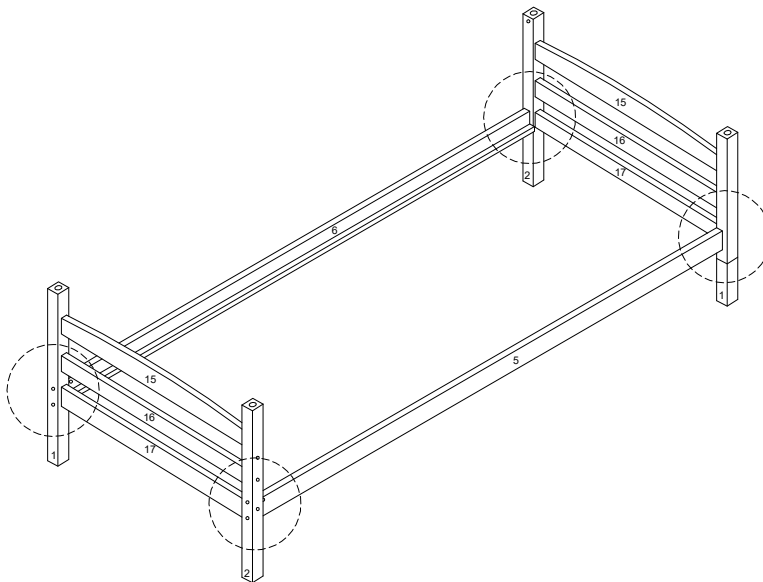


x 8

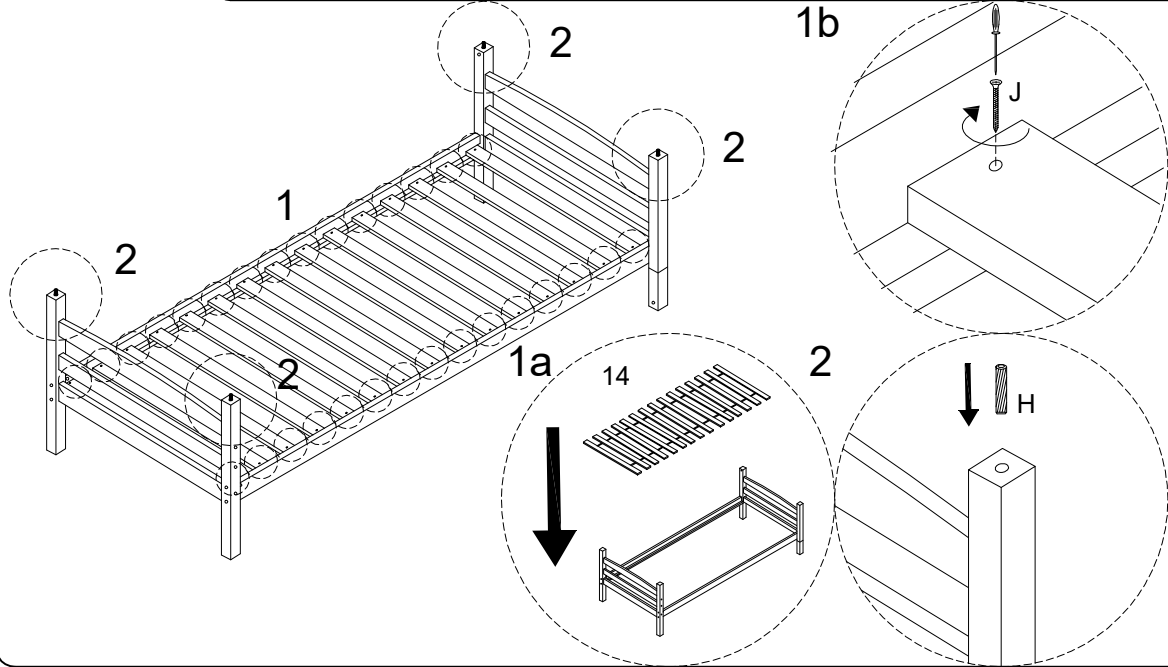
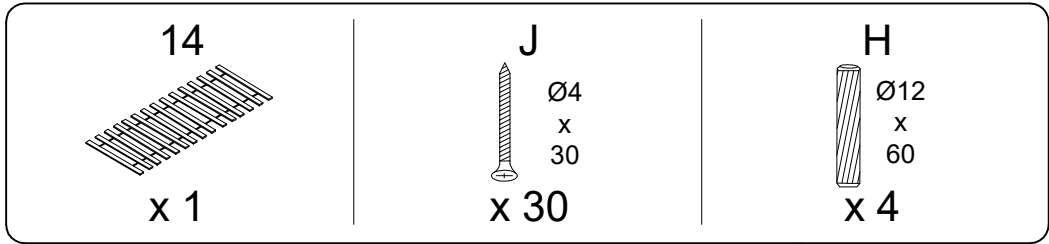
G



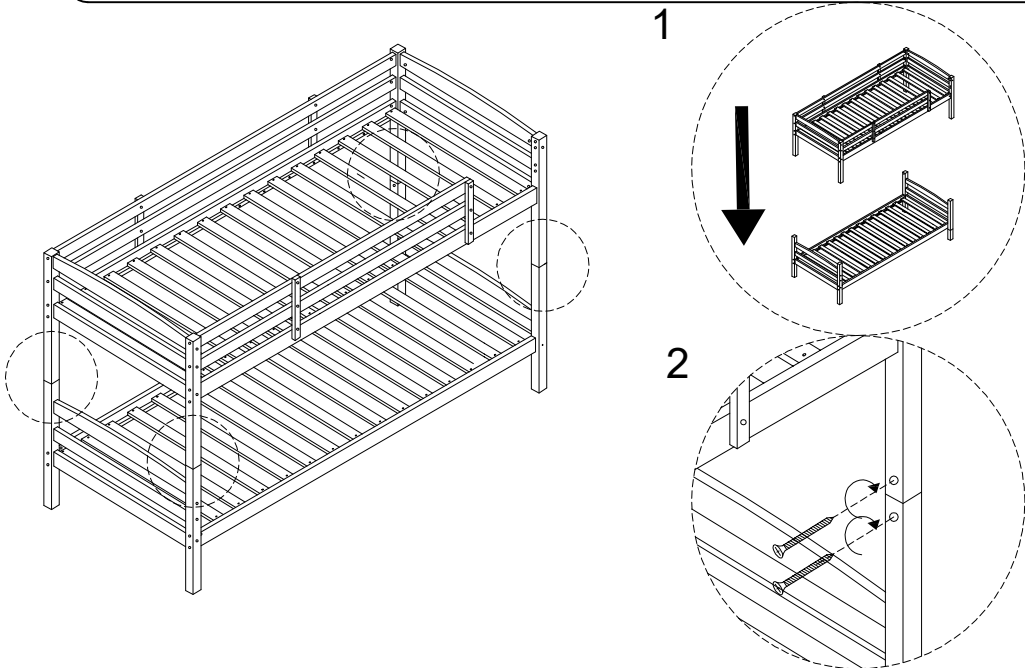
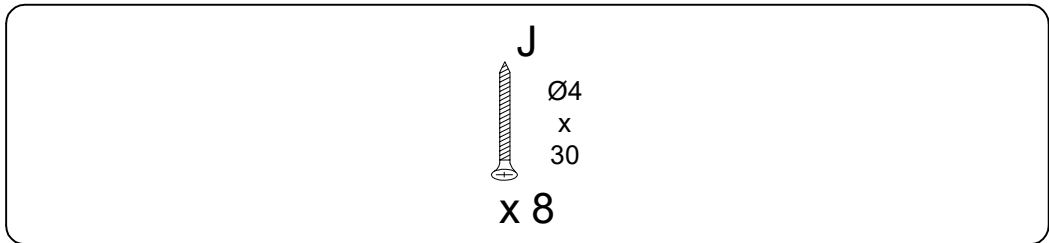
x 2



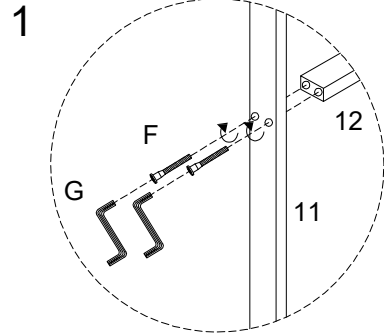
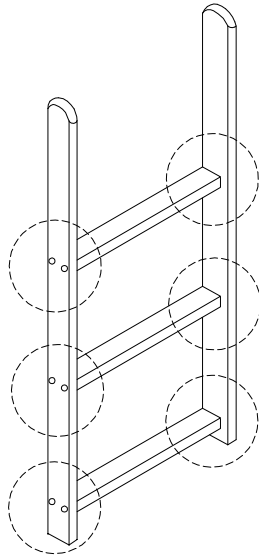
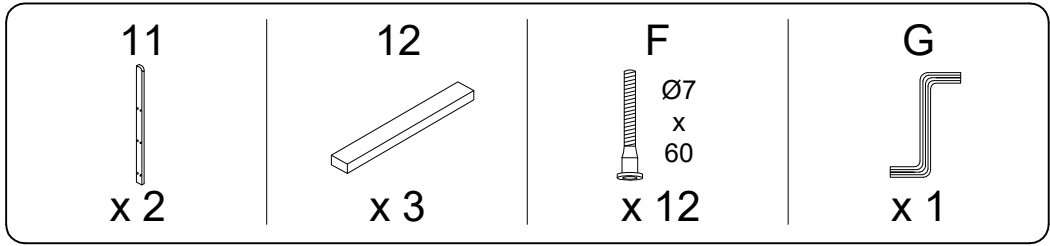
7



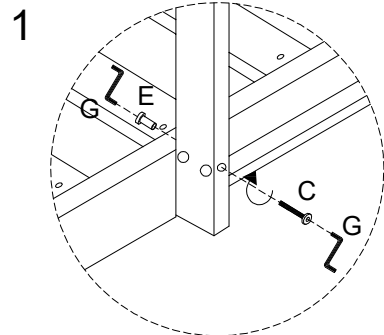
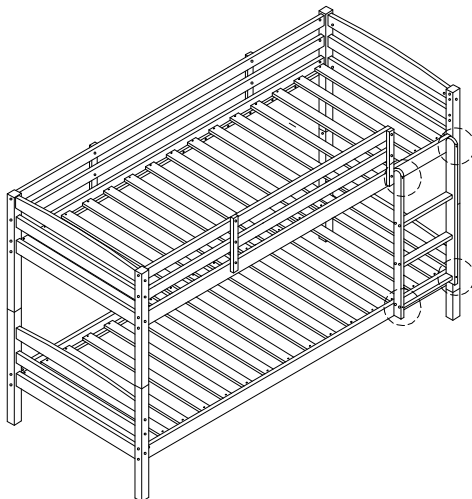
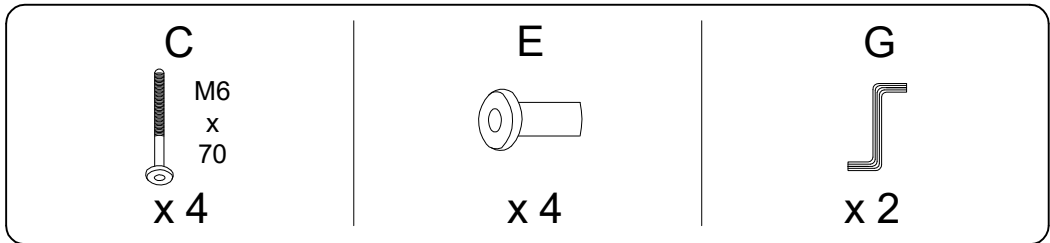
8



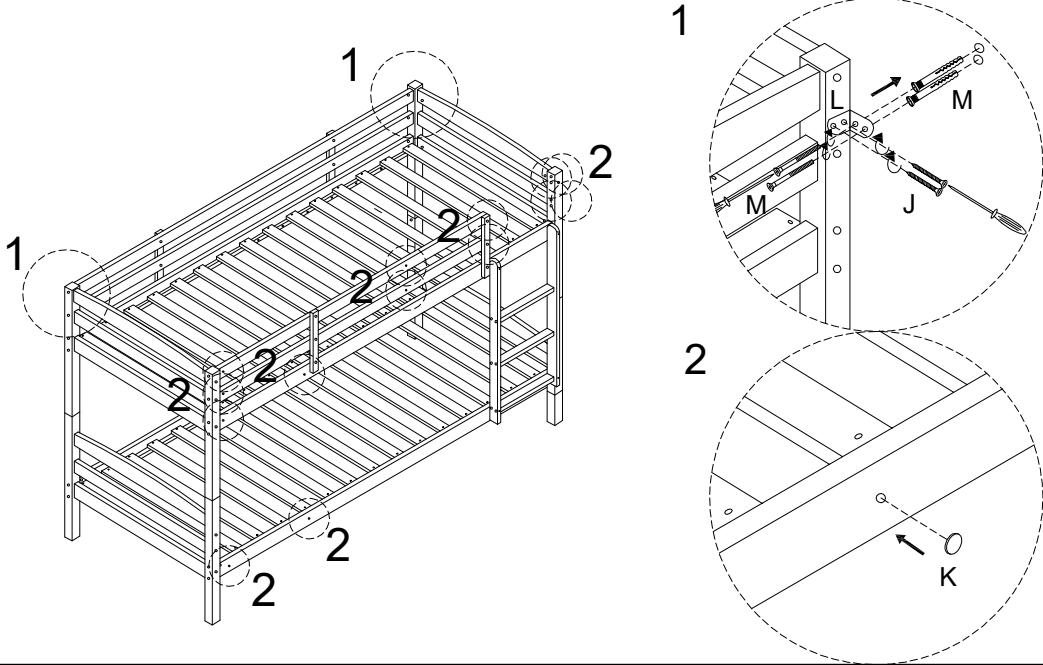
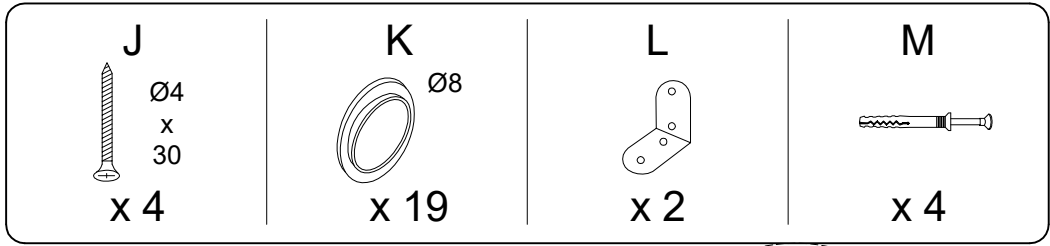
9



10



11



!

