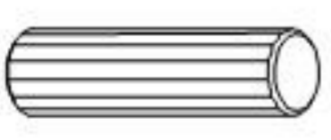
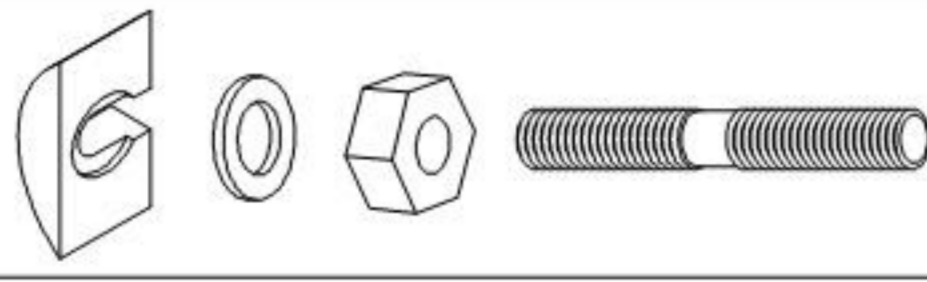
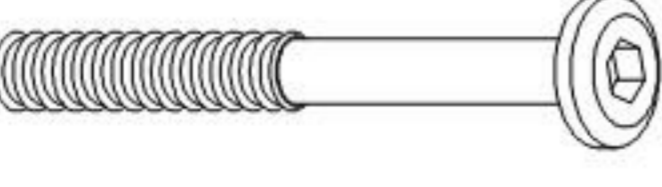
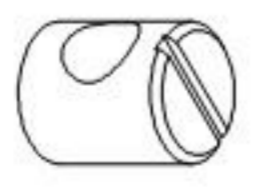



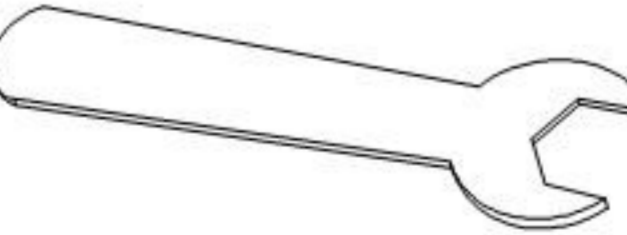

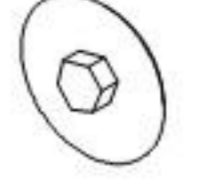
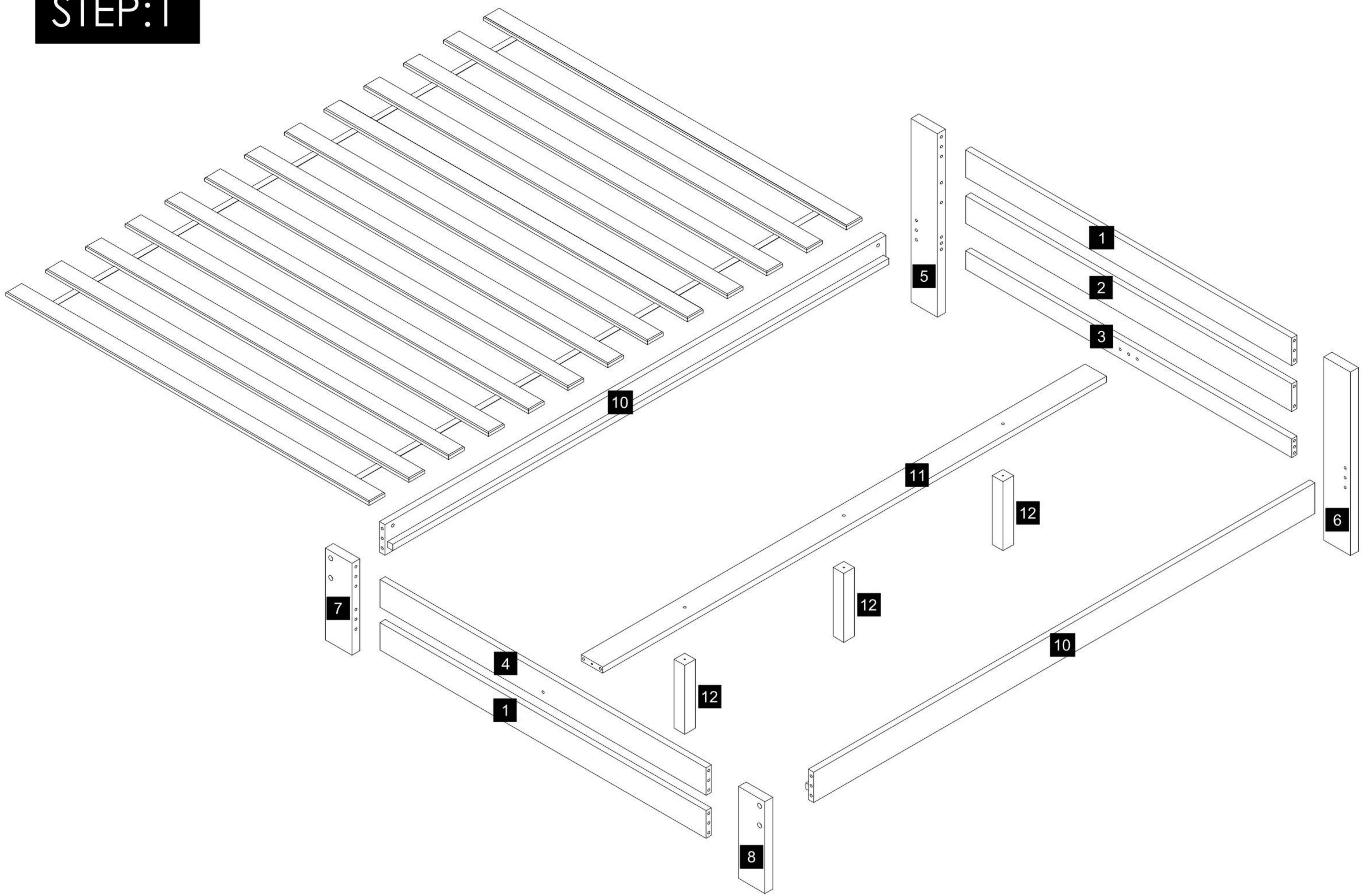


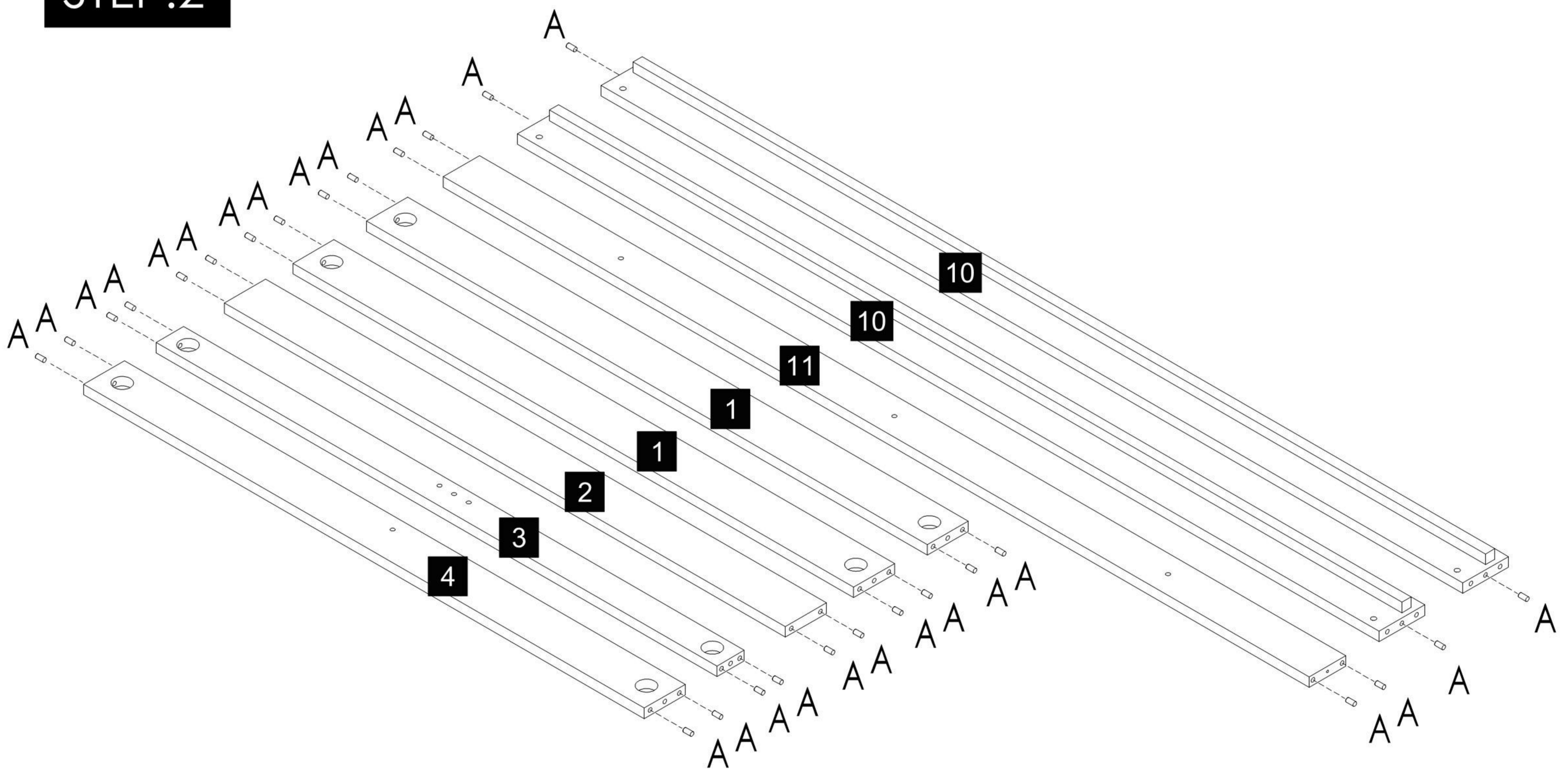
A		Φ8*30	28
B		M6*60	8
C		M6*70	8
D			8
E		Φ7*60	5

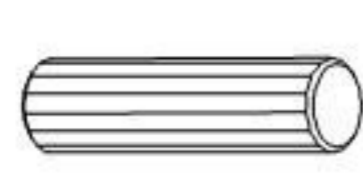
F		4*30	52
G		Φ15	8
H			1
J			1
K		Φ12	2

STEP:1

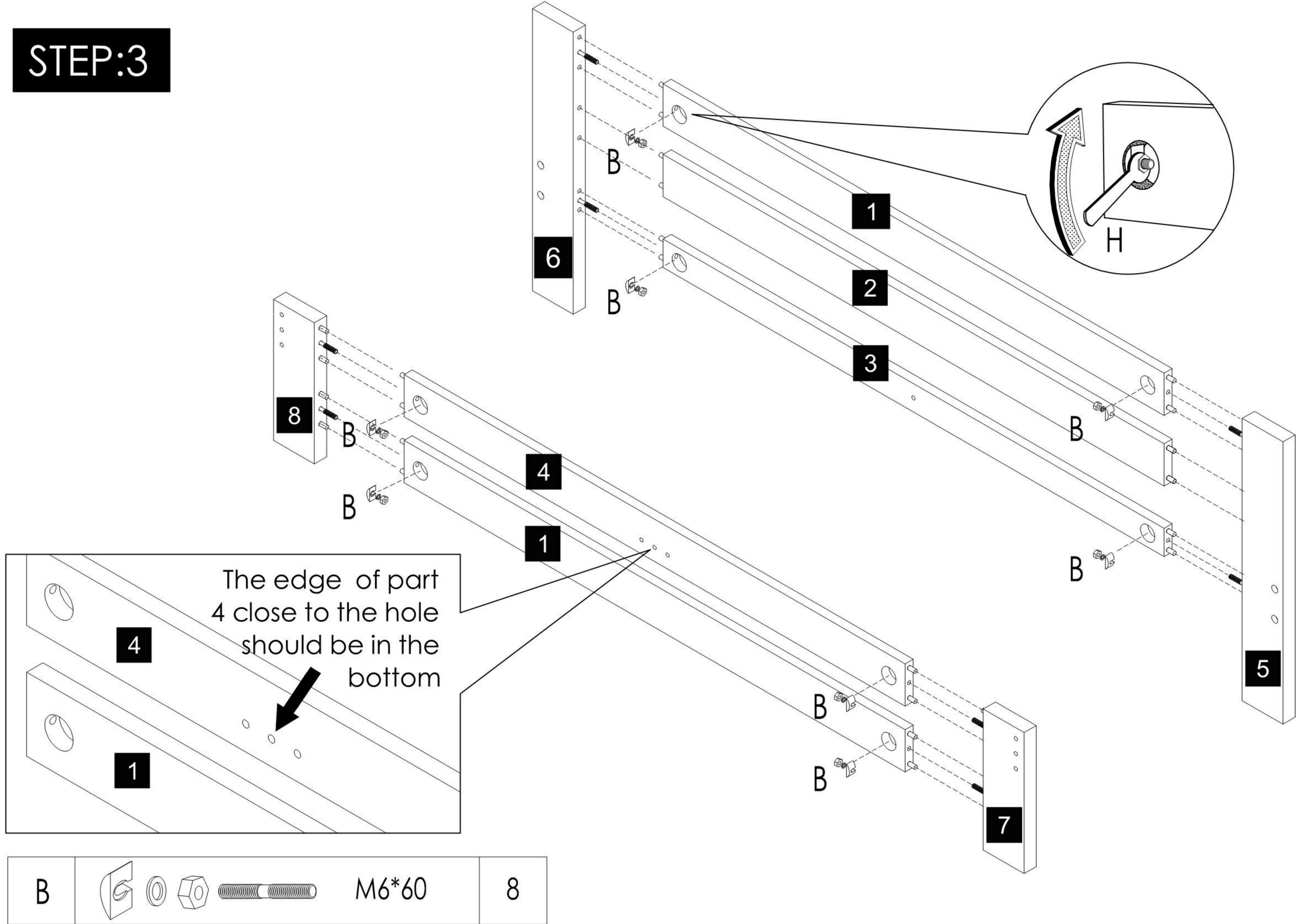


STEP:2

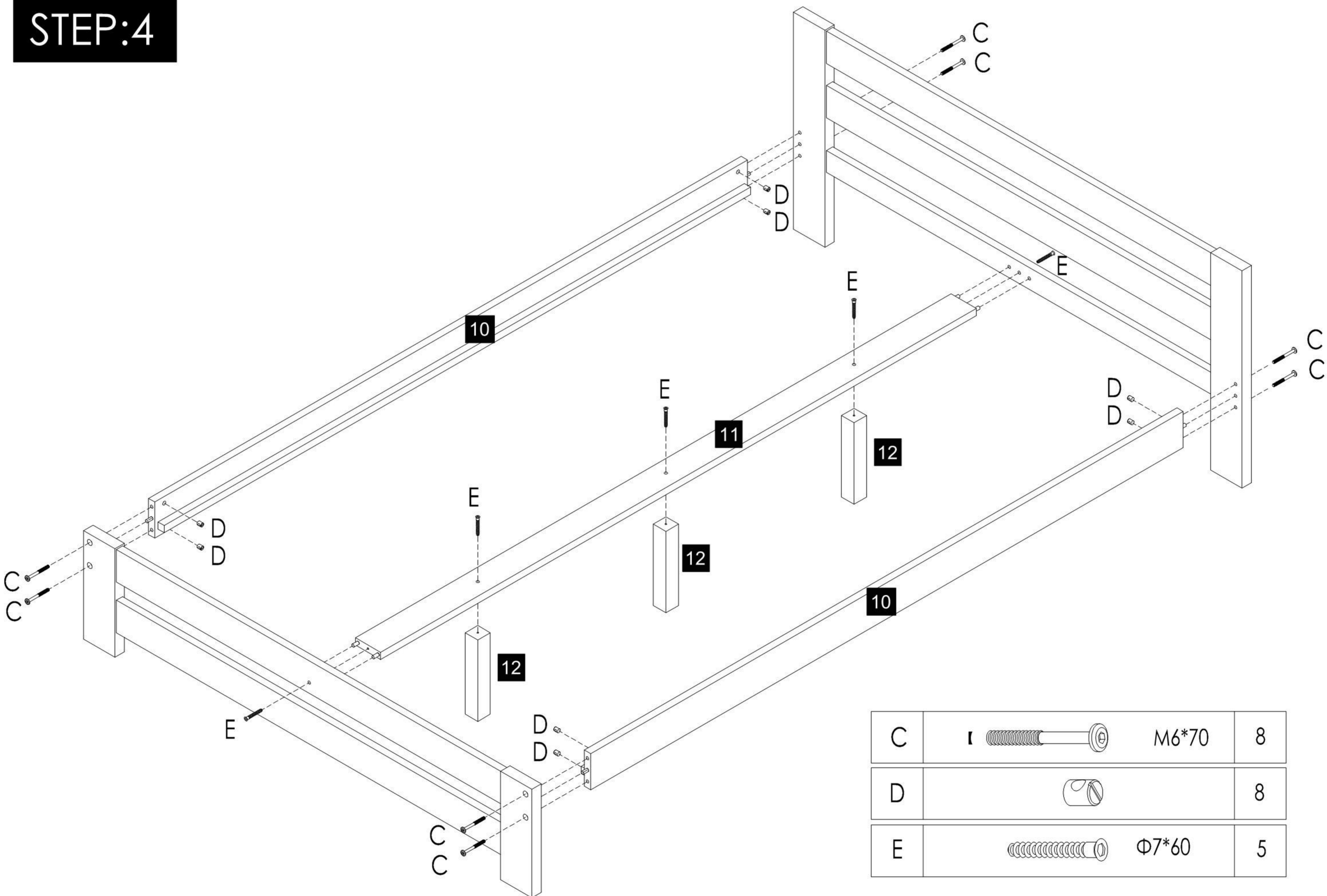


A		Φ8*30	28
---	---	-------	----

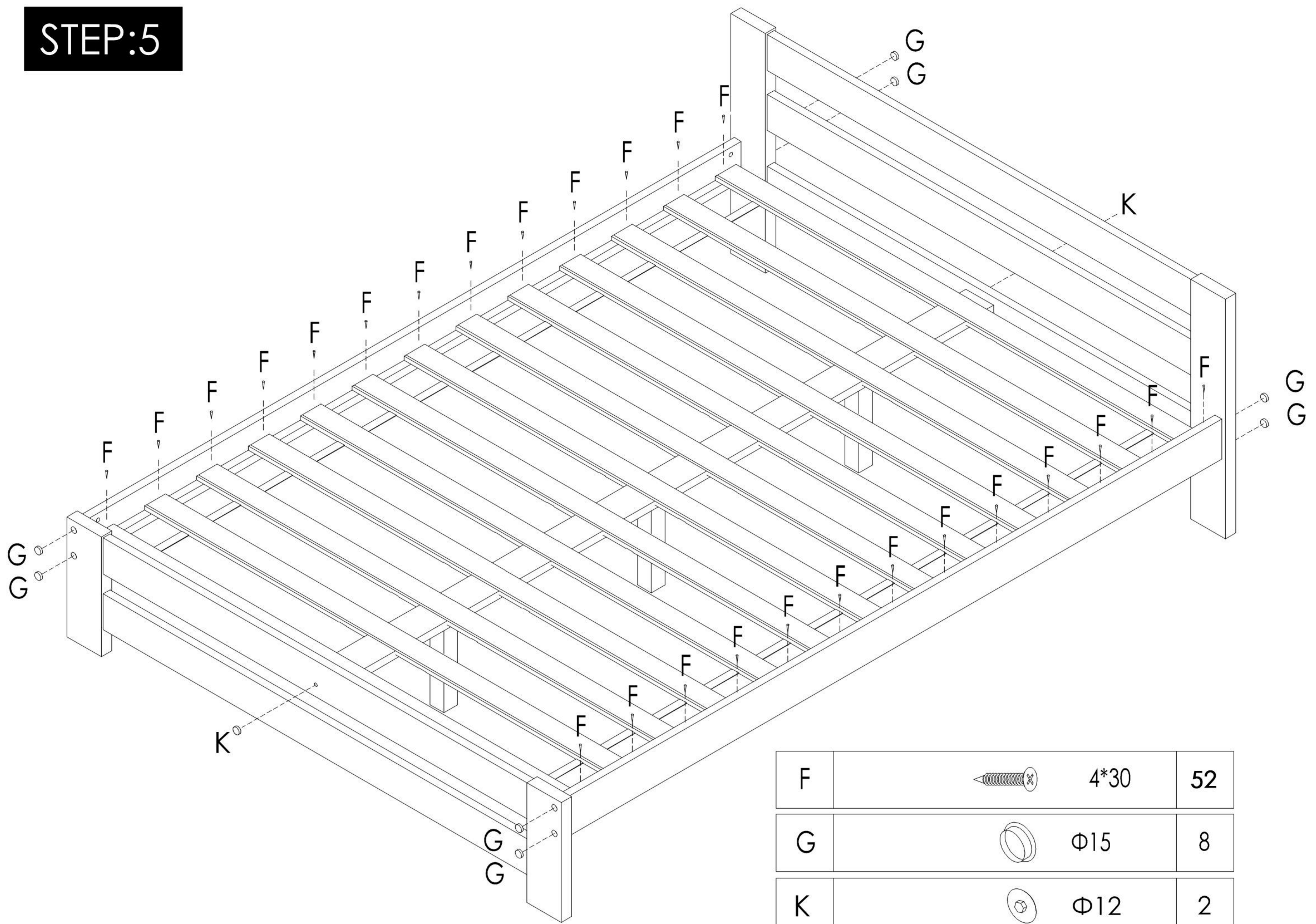
STEP:3

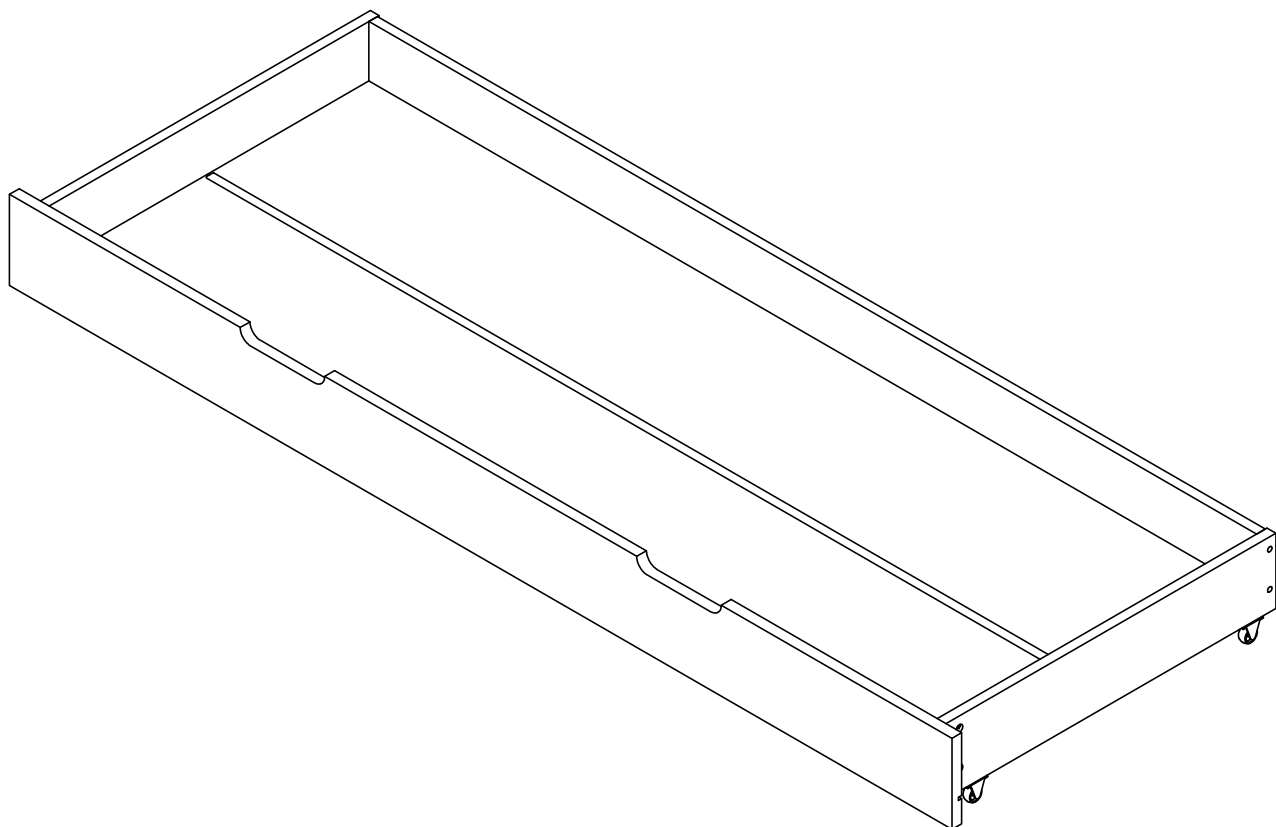


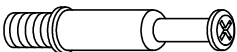





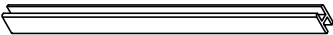

STEP:4



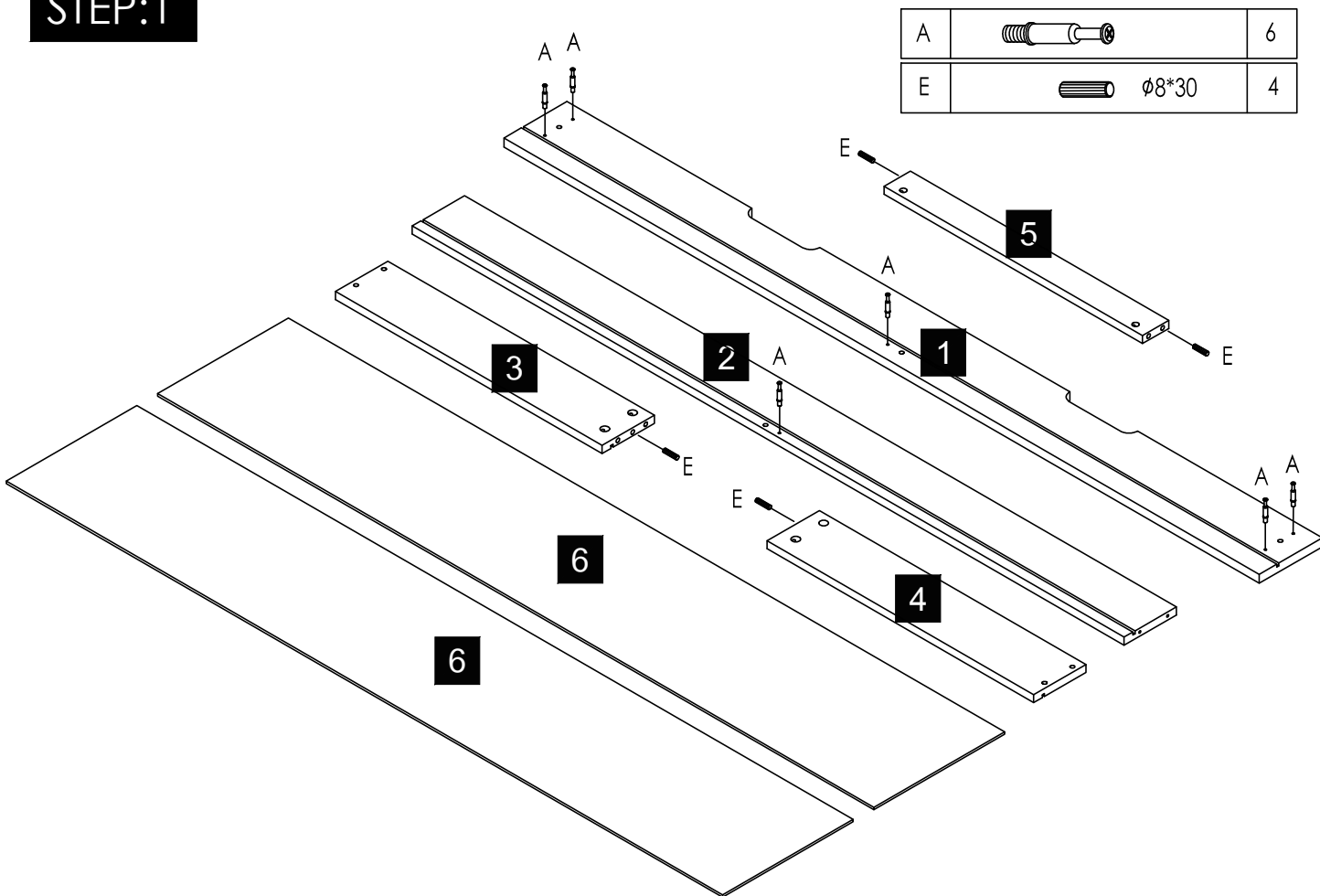
STEP:5



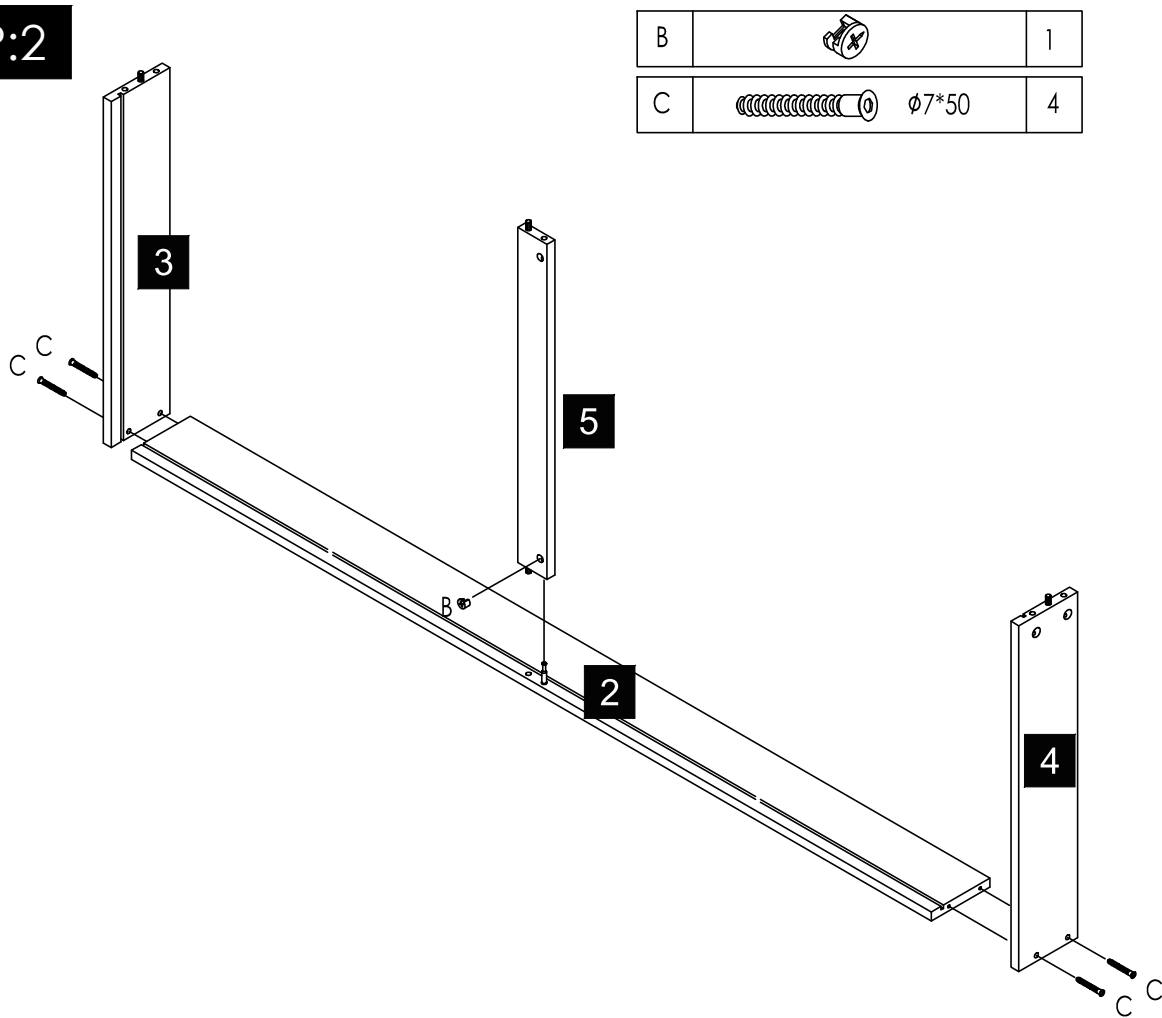


A		6
B		6
C	 $\phi 7*50$	4
D		4
E	 $\phi 8*30$	4
F	 $3.5*16$	8
G	 1190 mm	1
H		1

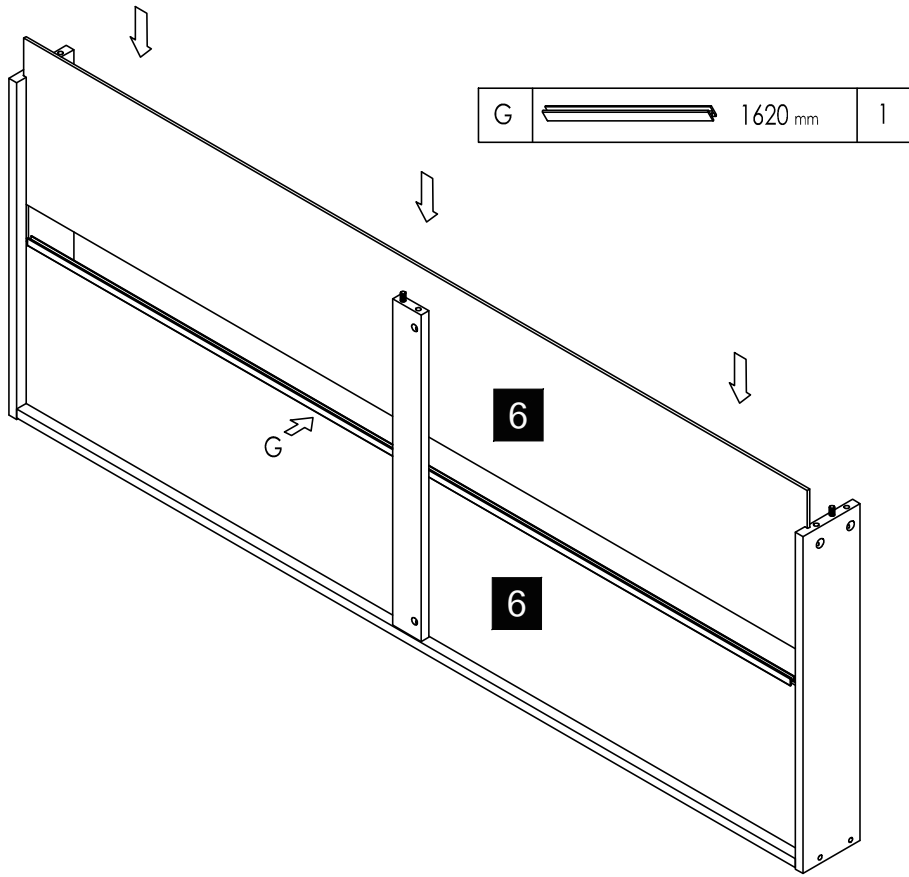
STEP:1



STEP:2



STEP:3



STEP:4

